



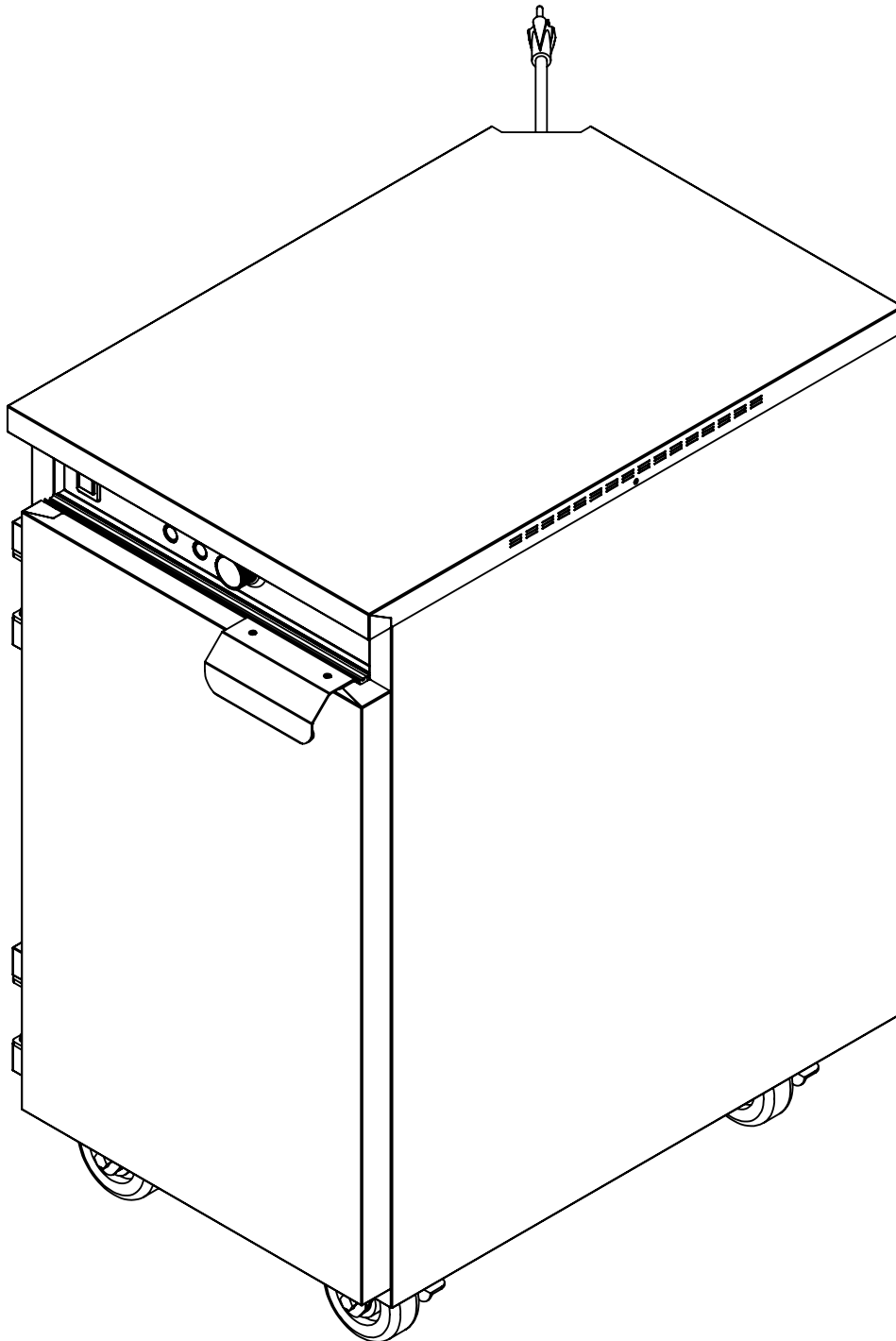
5599 Highway 31 West
Portland, TN 37148
(615)325-2774

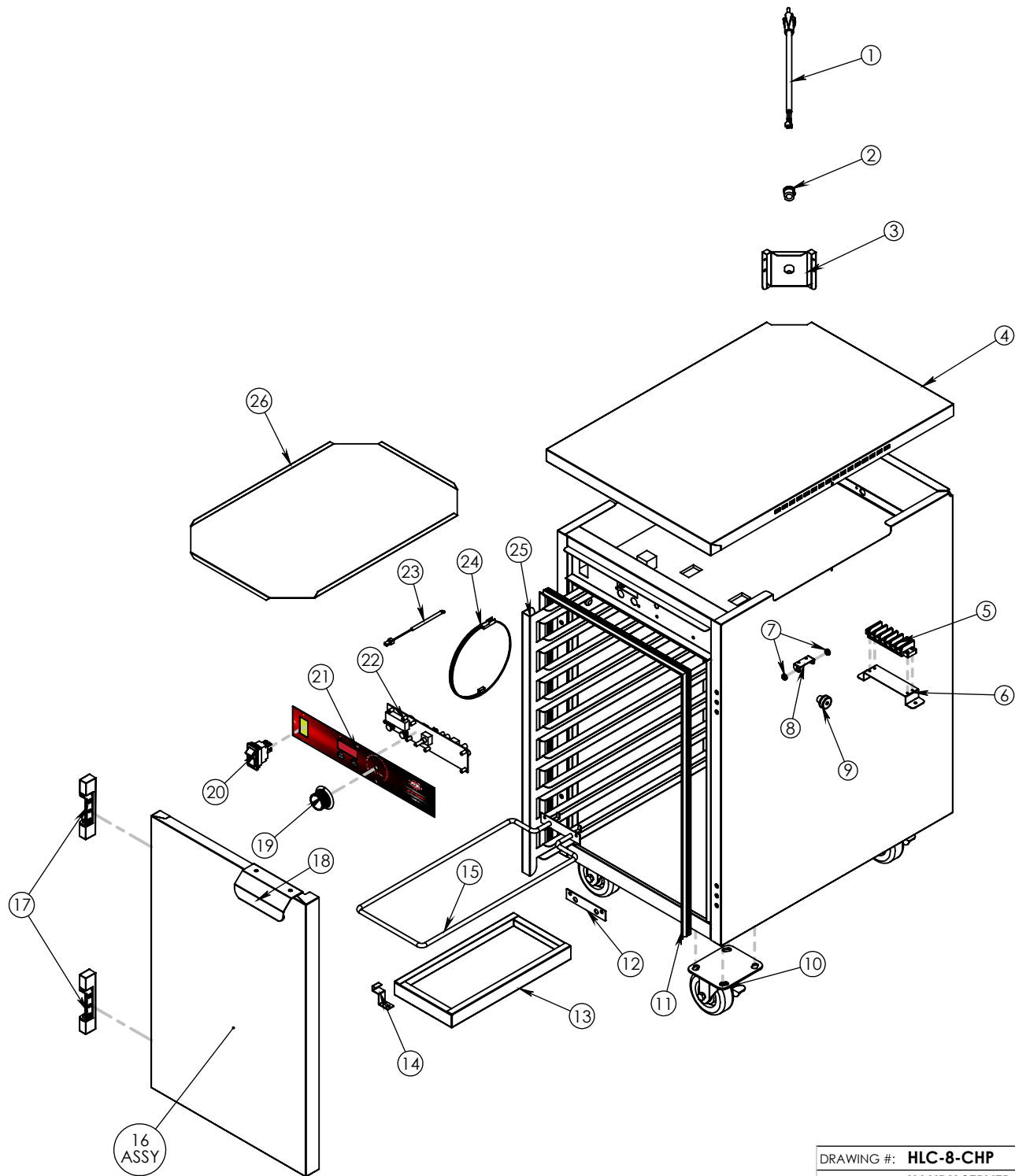
HLC-8-CHP

Pg.1Title Page

Pg.3HLC-8-CHP
BOM

Pg.2HLC-8-CHP





DRAWING #:	HLC-8-CHP
DESCRIPTION:	HANDY SERVER 12x20
DRAWN BY:	A.RANDALL
LAST SAVED BY:	andrew82

ITEM NO.	QTY.	PART NO.	DESCRIPTION
1	1	CRDSET10-115	CORD 12' 115V 5-15P 14GA 3WR 15AMP
2	1	BSH STRN 3	STRAIN RELIEF FOR 15 AMP CORD
3	1	54642	TRI CORD BRACKET DD .672 X .7501
4	1	27542	HLC-8-CHP OUTSIDE SLIP TOP TRI CRD
5	1	TRM BLK DIXELL	TERM BLOCK FOR DXL CONTROLLER
6	1	50368	BRKT TRM BLOCK 6 GANG
7	2	GRMT-HT-3-16	SILCONE GROMMET 3/16ID X 7/16OD
8	1	69028	ELAN PROBE MOUNTING BRACKET
9	1	BSH .75 LIQUID TIGHT	LIQUID TIGHT BUSHING 3/4 HOLE SIZE
10	4	CSTR 3.5 SB-5	CASTER 3.5" SWIVEL BRAKE HEAVY DUTY
11	1	GSKT-D-14-750X23-562	SILICONE DR GASKET D 14.75X23.56
12	1	GSKT HLC	SILICONE SPONGE 1/16" D/C W/PSA
13	1	50908	SS HUMIDIFIER WATER PAN 6 WIDE
14	2	50609	HLC ELEMENT CLIP
15	1	EL500-120-A16	ELEMENT 500 WATT 120 VOLT 16" A
16	1	Z-301-4311 (INCLUDE 17 & 18)	HLC-8 DOOR ASSY EDG/HMWF LH-FR
17	2	HNG-214	DOOR HINGE EDGEMOUNT .875"
18	1	67085	HLC- SS SHORT HANDLE
19	1	KNB H6	KNOB WITH ARROW
20	1	SWH RCK E1	SWITCH ROCKER 125V 20 AMP
21	1	CNTRL PNL T-STAT HLC-8 H2	OVERLAY HORIZ T-STAT HLC-8 GLOBAL
22	1	T-STAT ELE H2	ELEC THERMO HEAT CNTRL HORIZON IEC
23	1	PRB RTD T	RTD TEMPERATURE PROBE FOR T-STAT
24	1	PRB HARNESS 36	36" PROBE HARNESS - T-STAT ELE
25	2	56691	HLC-8 RACK 12X20 @ 2.625
26	1	4465	HLC HEAT DEFLECTOR



DRAWING #:	HLC-8-CHP
DESCRIPTION:	HANDY SERVER 12X20
DRAWN BY:	A.RANDA
LAST SAVED BY:	andrew82