



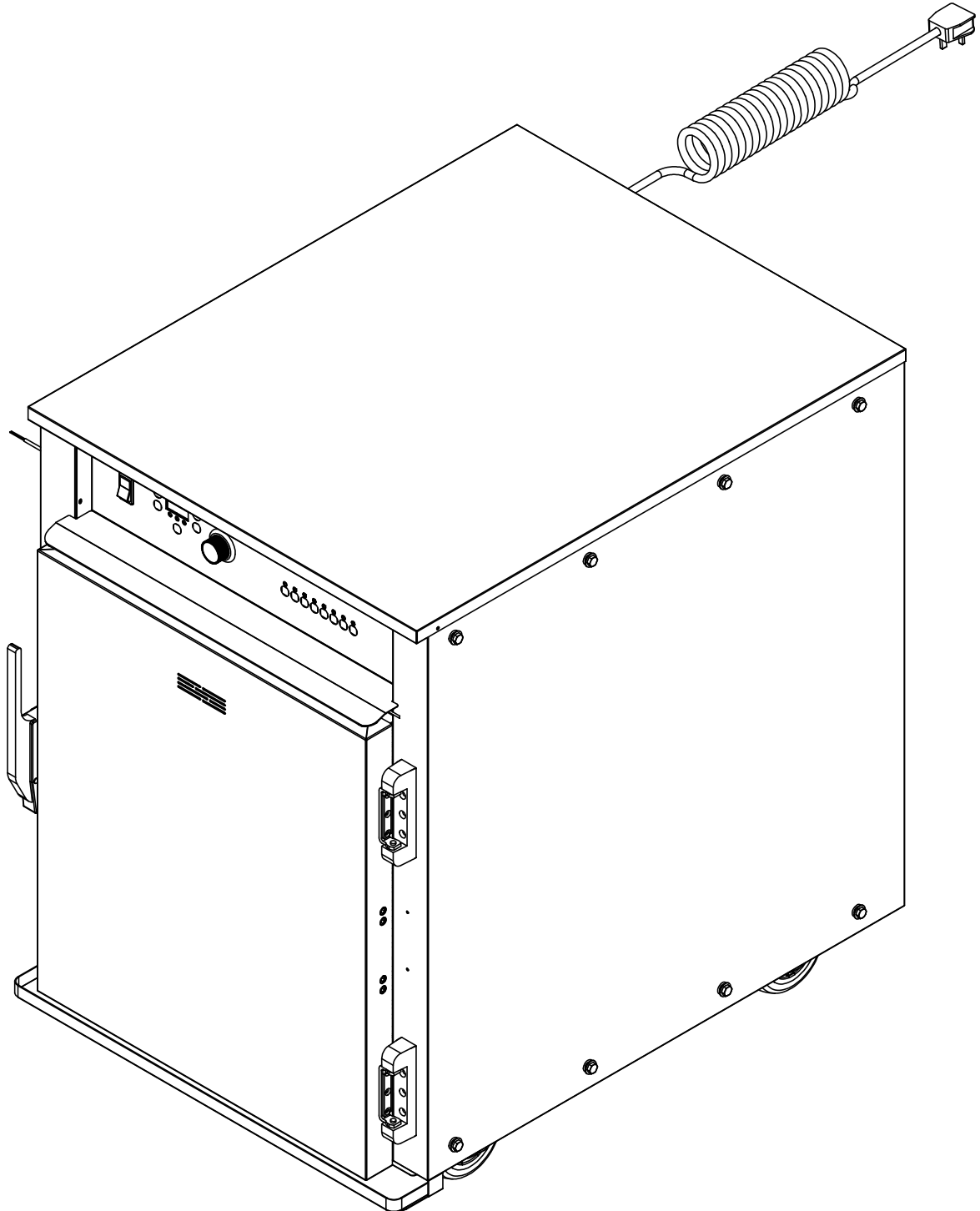
5599 Highway 31 West
Portland, TN 37148
(615)325-2774

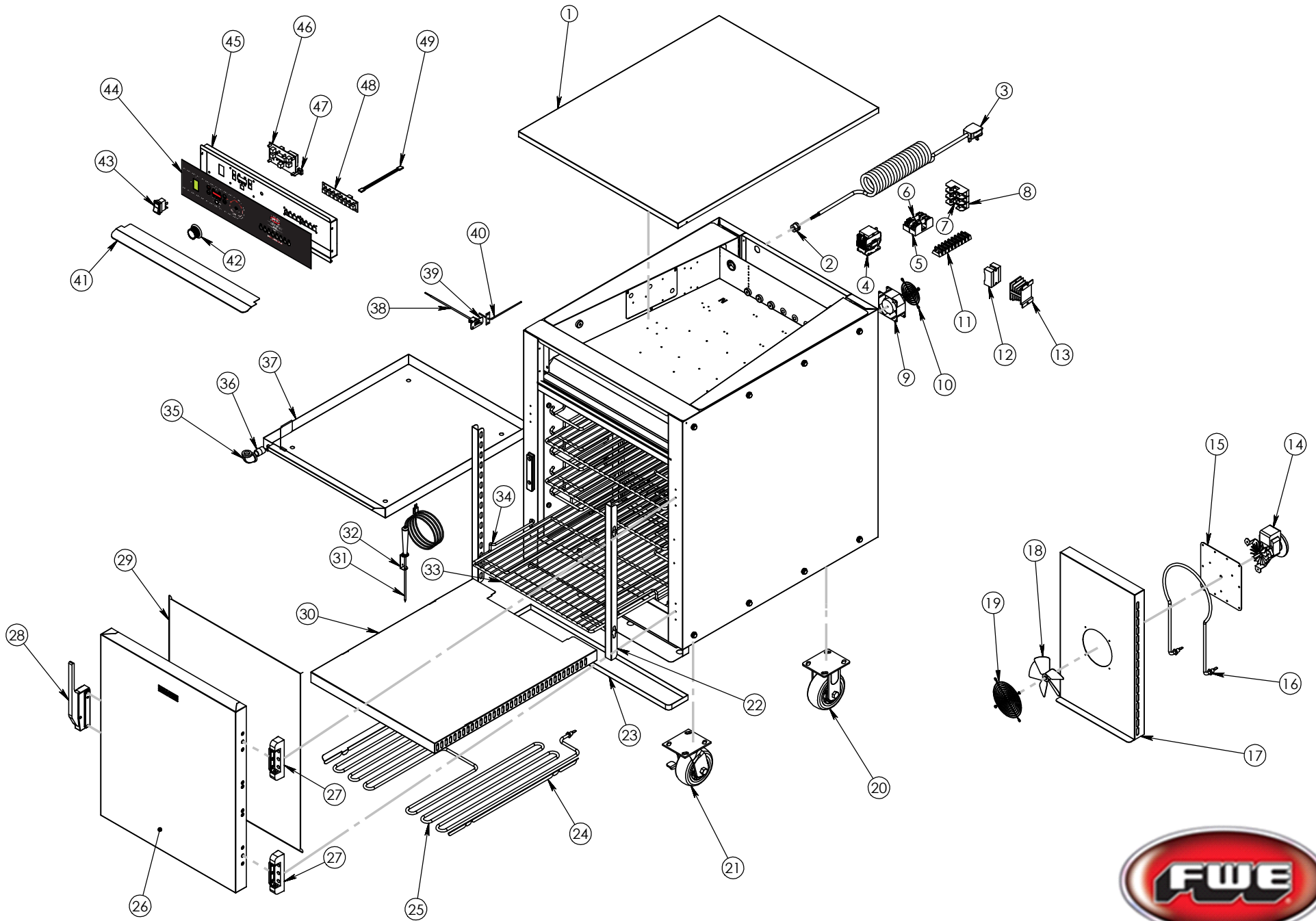
LCH-6-G2

Pg.1TITLE PAGE

Pg.3LCH-6-G2 BOM

Pg.2LCH-6-G2





DRAWING #: **LCH-6-G2**

DESCRIPTION: **COOK & HOLD OVEN**

DRAWN BY: DP

LAST SAVED BY: dplodzien

ITEM NO.	QTY.	PART NO.	DESCRIPTION
1	1	24917	LCH-6 OUTSIDE TOP
2	1	BSH STRN 4	STRAIN-RELIEF BLK SR 8P-2
3	1	CRDSET-13-250-NS	CORDSET UK 13A/250V UK SPIRAL
4	1	CONTACT-2POLE-50 AMP RES	CONTACTOR 2 POLE 50AMP RESISTIVE
5	3	FSHLDR-30AMP-LCH	HKP FUSEHOLDER 30 AMP
6	2	FS 30	FUSE 30 AMPS/250 VOLTS
7	3	FS-LP-MID-10AMP	FUSE 10 AMP LOW PEAK MIDGET (LP-CC)
8	3	FSHLDR-MID-30-1	HKP FUSEHOLDER 30 AMP LCH
9	2	FAN PHTT 230	SUNON 230V FAN,80 X 80 X 38MM
10	2	GRD FAN	FAN GUARD
11	1	TRM BLK-08	TERMINAL BLOCK -8 POLES
12	1	RLY 50AMP	SSR RELAY 50A 230V
13	1	SSR HEAT SINK	X50 HEAT SINK - PANEL MOUNT
14	1	BLWR-208-240-60 NH	BLOWER ASSY 208/240V, 60HZ NO HSG
15	1	59537	MOTOR MOUNTING PLATE
16	1	EL1250-240	P-ELEMENT 1250 WATT 240 VOLT
17	1	59933	LCH-6 BACK TUNNEL
18	1	BLD FAN HR .25	FAN BLADE ALUMINUM 5-1/2" 5-BLADES
19	2	GRD FAN EBM 4000	GUARD FAN EBM 4000
20	2	CSTR 52-R-PPF	CASTER 5X2" EZ ROLL RIGID POLY BLUE
21	2	CSTR 52-SB-PPF	CASTER 5X2" EZ ROLL SWIVL POLY BLUE
22	4	59944	LCH-6 UPRIGHT
23	1	68765	LCH-G2 DRIP PAN
24	2	65946	LCH-6 DIVERTER PLATE
25	1	EL1250-240-LCH	P-ELEMENT 1250 WATT 240 VOLT
26	1	Z-301-3763 (INCLUDES 27-29)	LCH-6 DOOR EDG /MAG PRSS GSKT VNT RH
27	2	HNG-217	DOOR HINGE EDGEMOUNT 1.375" REF
28	1	LTH DR MAG-RH	DOOR LATCH EDGEMOUNT BLACK MAGNETIC
29	1	GSKT-D-27X23-125	SILICONE GASKET D-27X23.125
30	1	66918	LCH-6 BOTTOM ELEMENT COVER
31	1	PRB MTRTD	RTD MEAT PROBE
32	1	57074	PROBE MOUNT BRACKET
33	3	SHLF-SS-21X27	SHELF STAINLESS STEEL 21"X27.5"
34	10	SLD-UHS245-SS	TRAY SLIDE STAINLESS STEEL UHS245 SS ELECTRO-POLISH
35	1	ELB90-SS-50	ELBOW S/S 1/2" PIPE
36	1	PIPE-NIPPLE-SS-50-FLTRD	PIPE NIPPLE SS 50X150 FULL THREADED
37	1	66935	LCH-6 DRIP PAN
38	1	PRB RTD 36	RTD THERMOCOUPLE ASSY 36"
39	1	67125	PROBE THERMOCOUPLE MOUNTING BRKT
40	1	PRB RTD	RTD TEMPERATURE PROBE
41	1	69030	LCH-6-G2 CONTROL HEAT GUARD
42	1	KNBH6SS	KNOB WITH ARROW AND SET SCREW
43	1	SWHRCKHY60	SWITCH NON-LT ON/OFF ROCKER BLK
44	1	CNTRL PNL S-LCH-PRGM	LCH OVERLAY SINGLE CAVITY PROGRAM
45	1	69764	LCH-6 M-WAVE CNTRL HOUSING 8B
46	1	CNTRL BRD LCH-240	CONTROL BOARD FOR LCH 240V
47	1	CNTRL PNL ENCODER	ENCODER FOR LCH CONTROLLER
48	1	CNTRL BRD LCH PRGM 8	8 BUTTON PREST CNTRL BRD W 8 GR LED
49	1	CBL LCH 17	CNTRL BRD LCH PRGM CABLE 17"



DRAWING #: **LCH-6-G2**

DESCRIPTION: **COOK & HOLD OVEN**

DRAWN BY: DP

LAST SAVED BY: dplodzien