



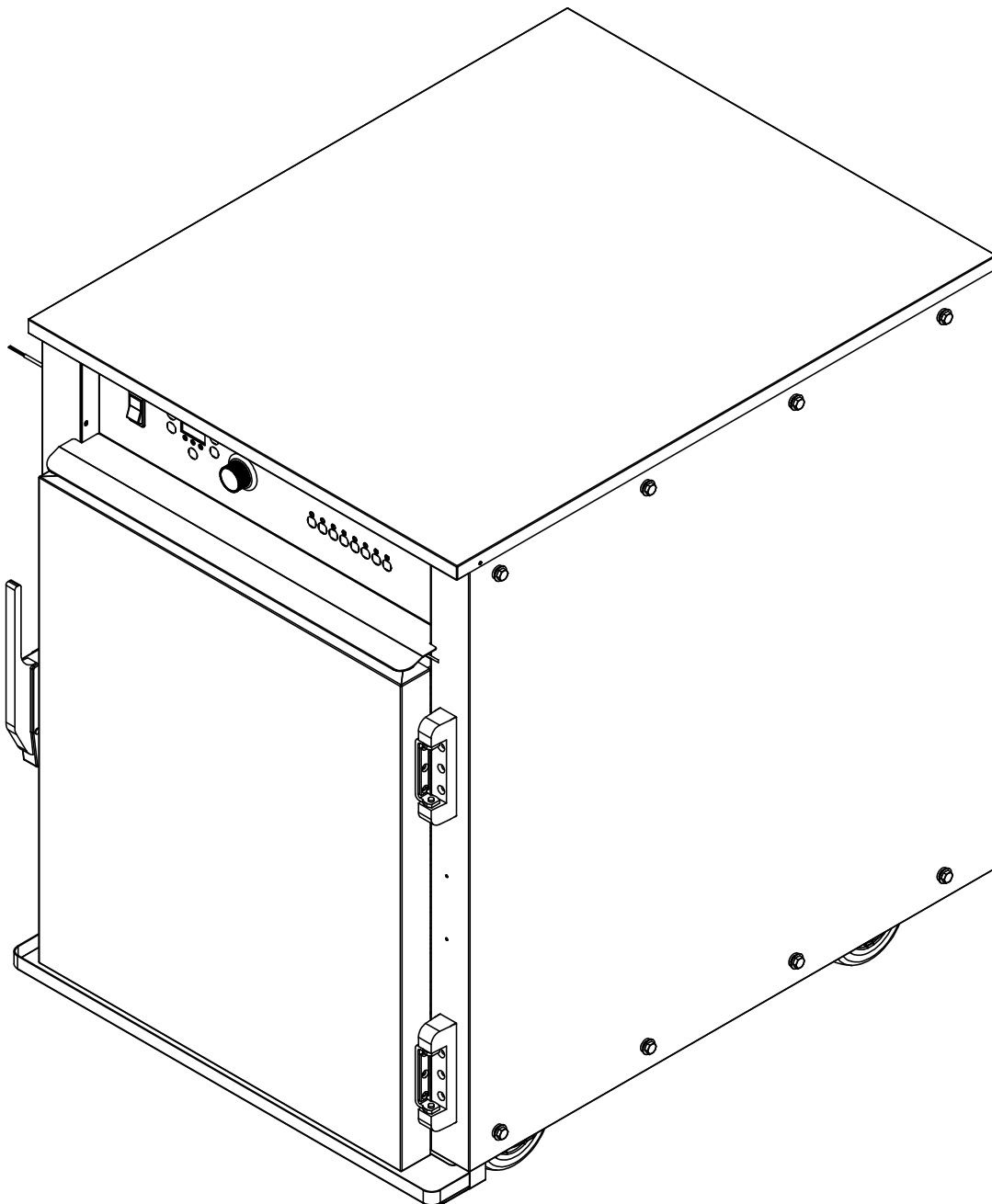
5599 Highway 31 West
Portland, TN 37148
(615)325-2774

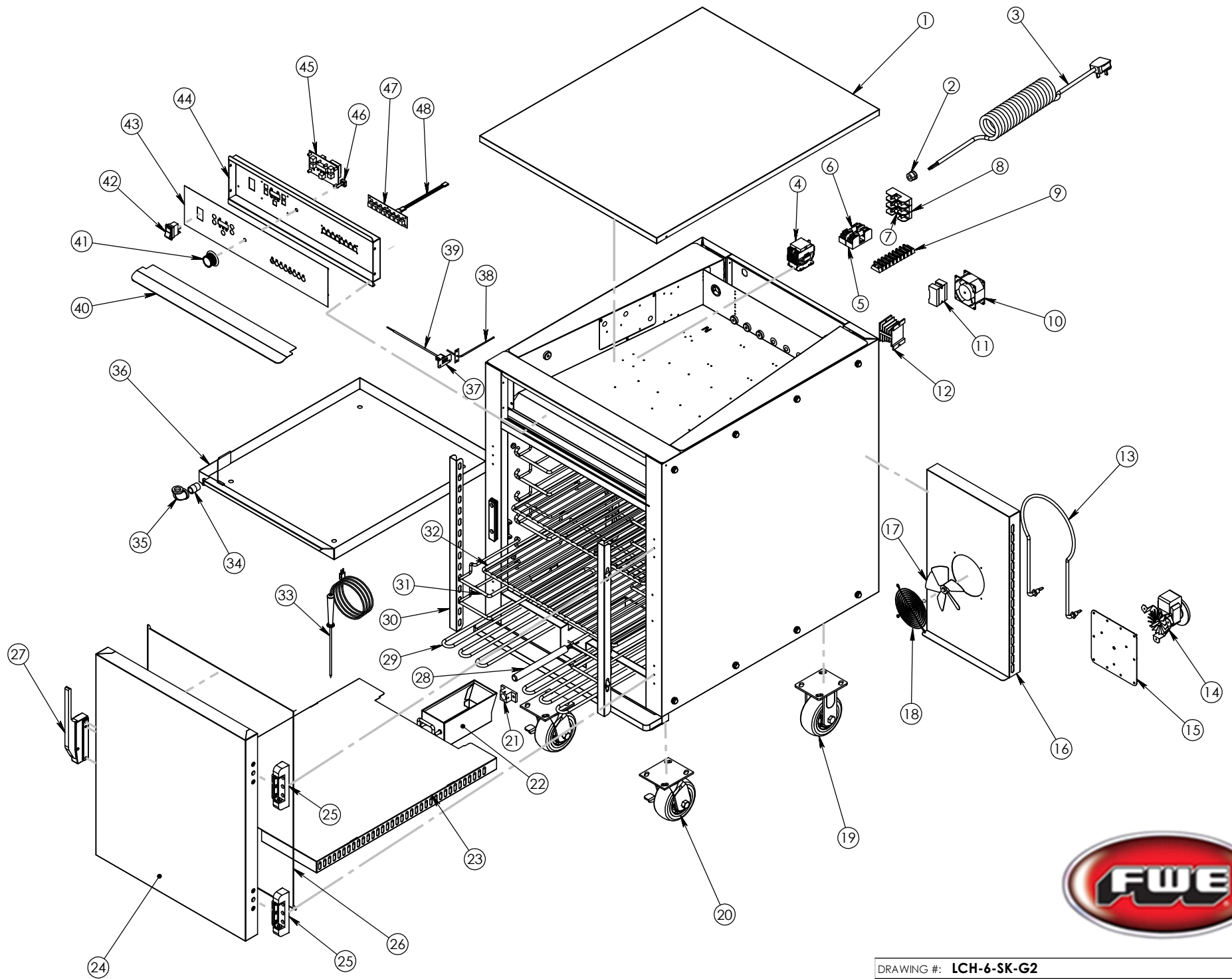
LCH-6-SK-G2

Pg.1TITLE PAGE

Pg.3LCH-6-SK-G2 BOM

Pg.2LCH-6-SK-G2





DRAWING #: LCH-6-SK-G2	
DESCRIPTION: COOK & HOLD WITH SMOKE FEATURE	
DRAWN BY: DP	LAST SAVED BY: dplodzien

ITEM NO.	QTY.	PART NO.	DESCRIPTION
1	1	24917	LCH-SK OUTSIDE TOP
2	1	BSH STRN 4	STRAIN-RELIEF BLK SR 8P-2
3	1	CRDSET-13-250-NS	C ORDSET UK 13A/250V UK SPIRAL
4	1	CONTACT-2POLE-50 AMP RES	CONTACTOR 2 POLE 50AMP RESISTIVE
5	2	FSHLDR-30AMP-LCH	HKP FUSEHOLDER 30 AMP LCH
6	2	FS 30	FUSE 30 AMPS/250 VOLTS
7	3	FS-LP-MID-10AMP	FUSE 10 AMP LOW PEAK MIDGET (LP-CC)
8	3	FSHLDR-MID-30-1	HKP FUSEHOLDER 30 AMP LCH
9	1	TRM BLK-08	TERMINAL BLOCK -8 POLES
10	1	FAN PHTT 230	SUNON 230V FAN,80 X 80 X 38MM
11	1	RLY 50AMP	SSR RELAY 50A 230V
12	1	SSR HEAT SINK	X50 HEAT SINK - PANEL MOUNT
13	1	EL1250-240-LCH	ELEMENT 1250 WATT 240 VOLT
14	1	BLWR-208-240-50 NH	P-BLWR ASSY 208/240V 50HZ NO HSG 18
15	1	59537	LCH MOTOR MOUNTING PLATE
16	1	59933	LCH-6-SK BACK TUNNEL
17	1	BLD FAN HR .25	FAN BLADE ALUMINUM 5-1/2" 5-BLADES
18	1	GRD FAN EBM 4000	GUARD FAN EBM 4000
19	2	CSTR 52-R-PPF	CASTER 5X2" EZ ROLL RIGID POLY BLUE
20	2	CSTR 52-SB-PPF	CASTER 5X2" EZ ROLL SWIVL POLY BLUE
21	1	SMOKER ELEMENT BLOCK	SMOKER ELEMENT BLOCK
22	1	Z-600-4166	LCH-6-SK SMOKER CHIP BOX ASSY
23	1	59937	LCH-6-SK BOTTOM ELEMENT COVER
24	1	Z-301-3529 (INCLUDES 25-27)	LCH-6-SK DR ASSY EDGE MAG PRS GSKT
25	2	HNG-217	HINGE REFG DR CRM 1.375
26	1	GSKT-D-27X23-125	SILICONE GASKET D-27X23.125
27	1	LTH DR MAG-RH	LATCH OFFSET COMPOSITE, BLACK
28	1	EL300-240-8	CARTRIDGE HEATER 300W /240V 8"
29	1	EL1250-240	ELEMENT 1250 WATT 240 VOLT
30	4	59944	LCH-6-SK UPRIGHT
31	12	SLD-UHS245-SS	TRAY SLIDE STAINLESS STEEL SS ELECTRO-POLISH
32	2	SHLF-SS-21X27	SHELF STAINLESS STEEL 21"X27.5"
33	1	PRB MTRTD	RTD MEAT PROBE
34	1	PIPE-NIPPLE-SS-50-FLTRD	PIPE NIPPLE SS 50X150 FULL THREADED
35	1	ELB90-SS-50	ELBOW S/S 1/2" PIPE
36	1	Z-600-4508 (INCLUDES 34 & 35)	LCH-6 DRIP PAN DRAIN ASSY
37	1	67125	PROBE THERMO COUPLE MOUNTING BRKT
38	1	PRB RTD	RTD TEMPERATURE PROBE
39	1	PRB RTD 36	RTD THERMOCOUPLE ASSY 36"
40	1	69030	LCH-6-G2 CONTROL HEAT GUARD
41	1	KNB H6 SS	KNOB WITH ARROW AND SET SCREW
42	1	SWH RCK HY60	SWITCH NON-LT ON/OFFROCKER BLK
43	1	CNTRL PNL S-LCH-SK-PRGM	LCH OVERLAY SINGLE SMOKE PROGRAM
44	1	69764	LCH-6-SK M-WAVE CNTRL HOUSING 8B
45	1	CNTRL BRD LCH PRGM 240	CONTROL BOARD PROGRAMABLE 240V LCH
46	1	CNTRL PNL ENCODER	ENCODER FOR LCH CONTROLLER
47	1	CNTRL BRD LCH PRGM 8	8 BUTTON PREST CNTRL BRD W 8 GR LED
48	1	CBL LCH 17	CNTRL BRD LCH PRGM CABLE 17"



DRAWING #: **LCH-6-SK-G2**

DESCRIPTION: **COOK & HOLD WITH SMOKE FEATURE**

DRAWN BY: DP

LAST SAVED BY: dplodzien