



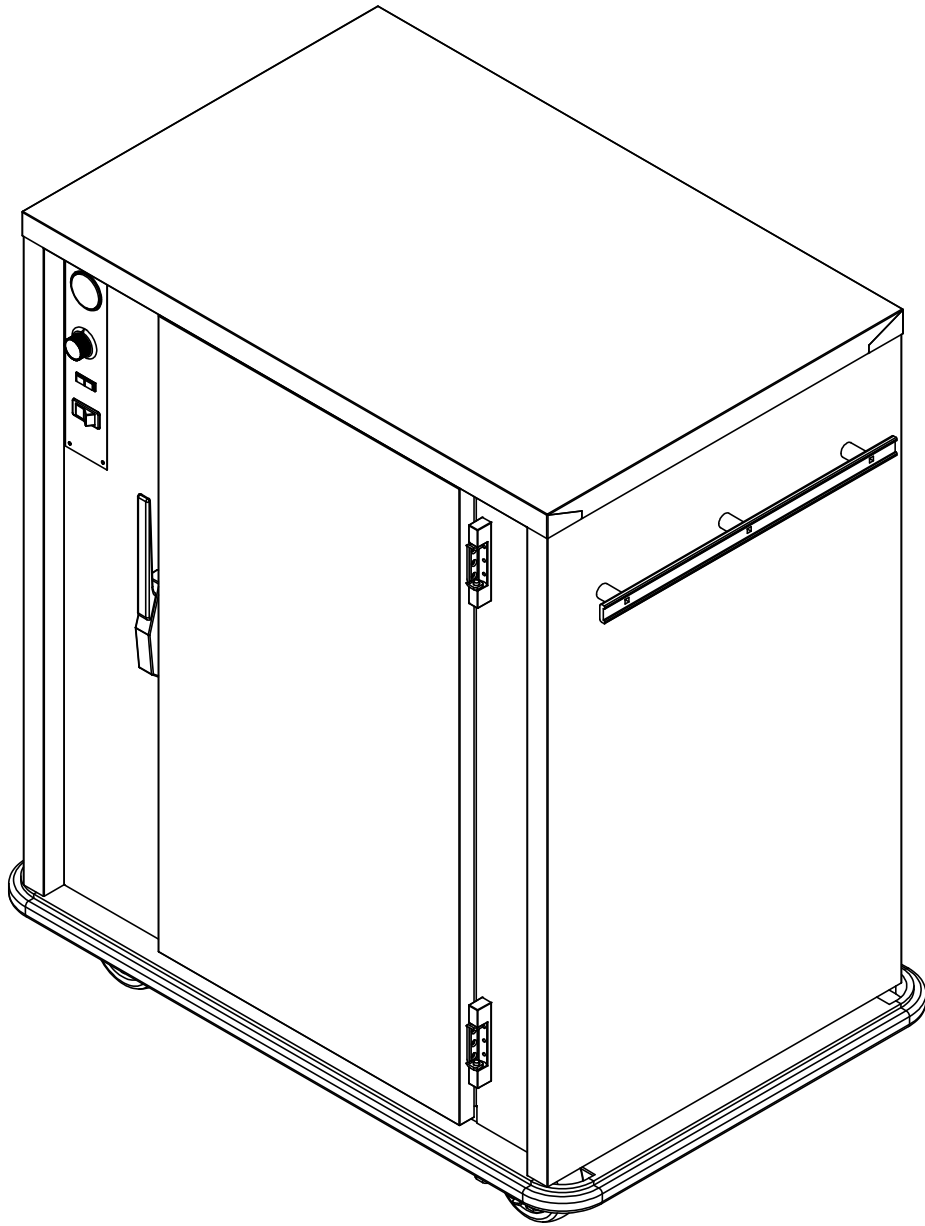
5599 Highway 31 West  
Portland, TN 37148  
(800) 222-4393

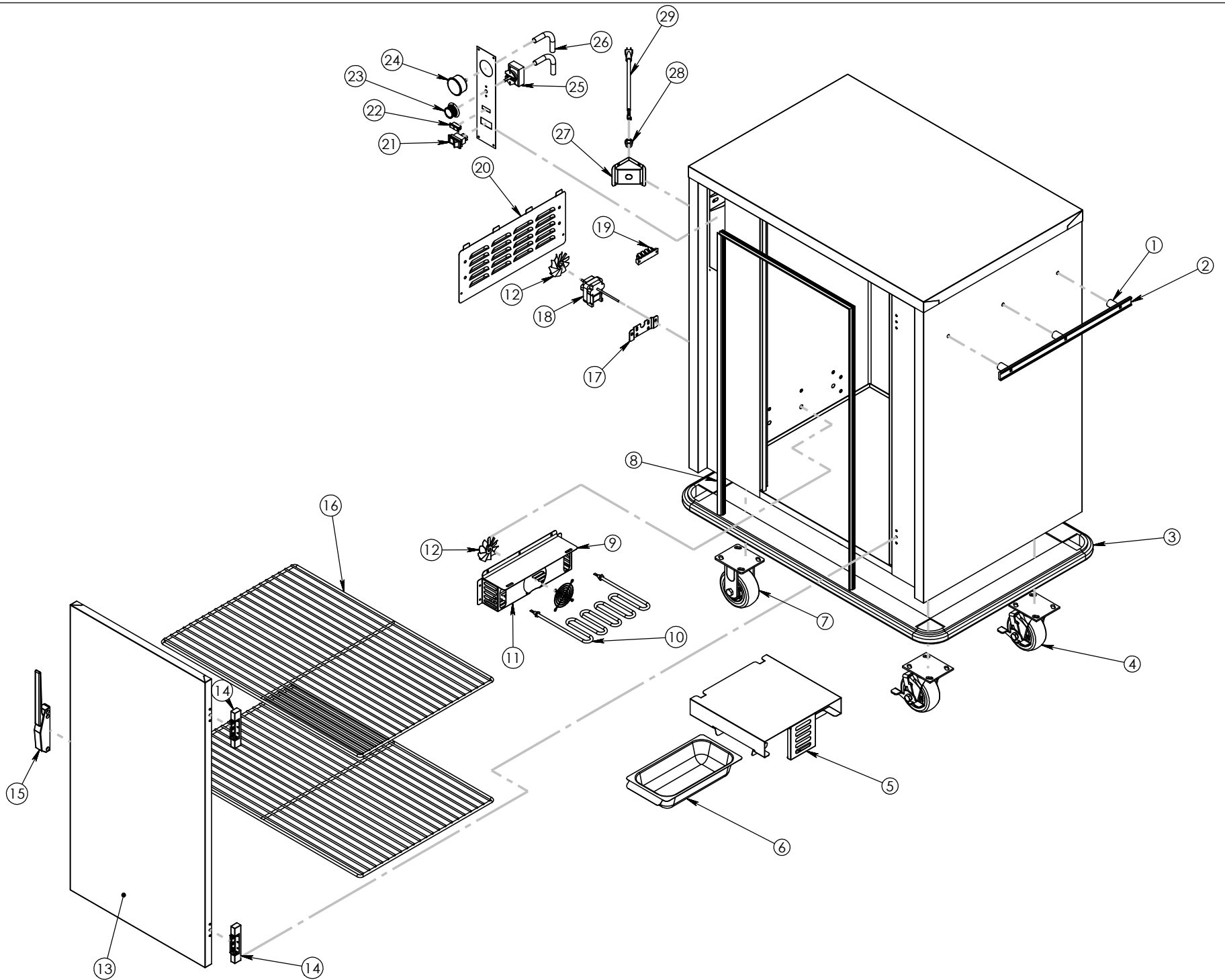
# P-72

Pg.1 . TITLE PAGE

Pg.3 . P-72 BOM

Pg.2 . P-72





DRAWING #: <b>P-72</b>	
DESCRIPTION: <b>BANQUET CABINET HUMI-TEMP</b>	
DRAWN BY: DP	LAST SAVED BY: dplodzien

ITEM NO	QTY	PART NUMBER	DESCRIPTION
1	6	SPCR125X.330	SPACER PUSH HDL 1.25X5/16
2	2	HDL-215-AL	HANDLE PUSH AL 21.5
3	1	Z-200-1047	BUMPER
4	2	CSTR 52-SB-PPF	CASTER 5X2" EZ ROLL SWIVL POLY BLUE
5	1	58408	HEAT SHIELD WITH WATER PAN
6	1	WATER-PAN-3RD-WHDL	WATER PAN 2.5" X6.75 X
7	2	CSTR 52-R-PPF	CASTER 5X2" EZ ROLL RIGID POLY BLUE
8	1	GSKT-D-40-187X21-812	SILICONE DR GASKET D 40.187X21.812
9	1	4041	HUMITEMP BLOWER LID
10	1	EL1250-120-HT	TUBULAR ELEMENT 1250W/120V HUMI
11	1	4011	HUMITEMP BLOWER HOUSING
12	2	BLD FAN AL	BLADE FAN AL 3IN 1875-0
13	1	Z-301-4181 (INCLUDES 14,15)	DOOR ASSY EDG/EDG RH
14	2	HNG-214	DOOR HINGE EDGEMOUNT .875"
15	1	LTH-DR	DOOR LATCH EDGEMOUNT STYLE CHROME
16	2	SHLF-P90	SHELF 22.25x33"
17	1	80610	BRACKET MOTOR MNT FOR BAY MTR
18	1	MTR JK120 92	MOTOR, 115V
19	1	TRM 4QC	TERMINAL BLOCK 4QC
20	1	53454	HUMITEMP LOUVER PANEL W/TABS
21	1	SWH RCK E1	SWITCH NON-LT ROCKER 125/250V 20AMP
22	1	LT PLT A-G	INDICATOR LIGHT AMBER GREEN 125V
23	1	KNB H6	KNOB WITH ARROW
24	1	T-METER H1	THERMOMETER 100/220F
25	1	T-STAT H1	THERMOMSTAT HEAT CONTRL 90-190 36"
26	1	SLV-ACRYLIC-WHITE-7-16 @ 25"	SLEEVING ACRYLIC 7/16 ID WHITE FA1
27	1	69729	HUMI TRI-CORD BRCKET DD .672X .750
28	1	BSH STRN 3	STRAIN-RELIEF BLK 6N3-4
29	1	CRDSET10-115	CORD 12' 115V 5-15P 14GA 3WR 10AMP

DRAWING #: **P-72**

DESCRIPTION: **BANQUET CABINET HUMI-TEMP**

DRAWN BY: DP

LAST SAVED BY: dplodzien