



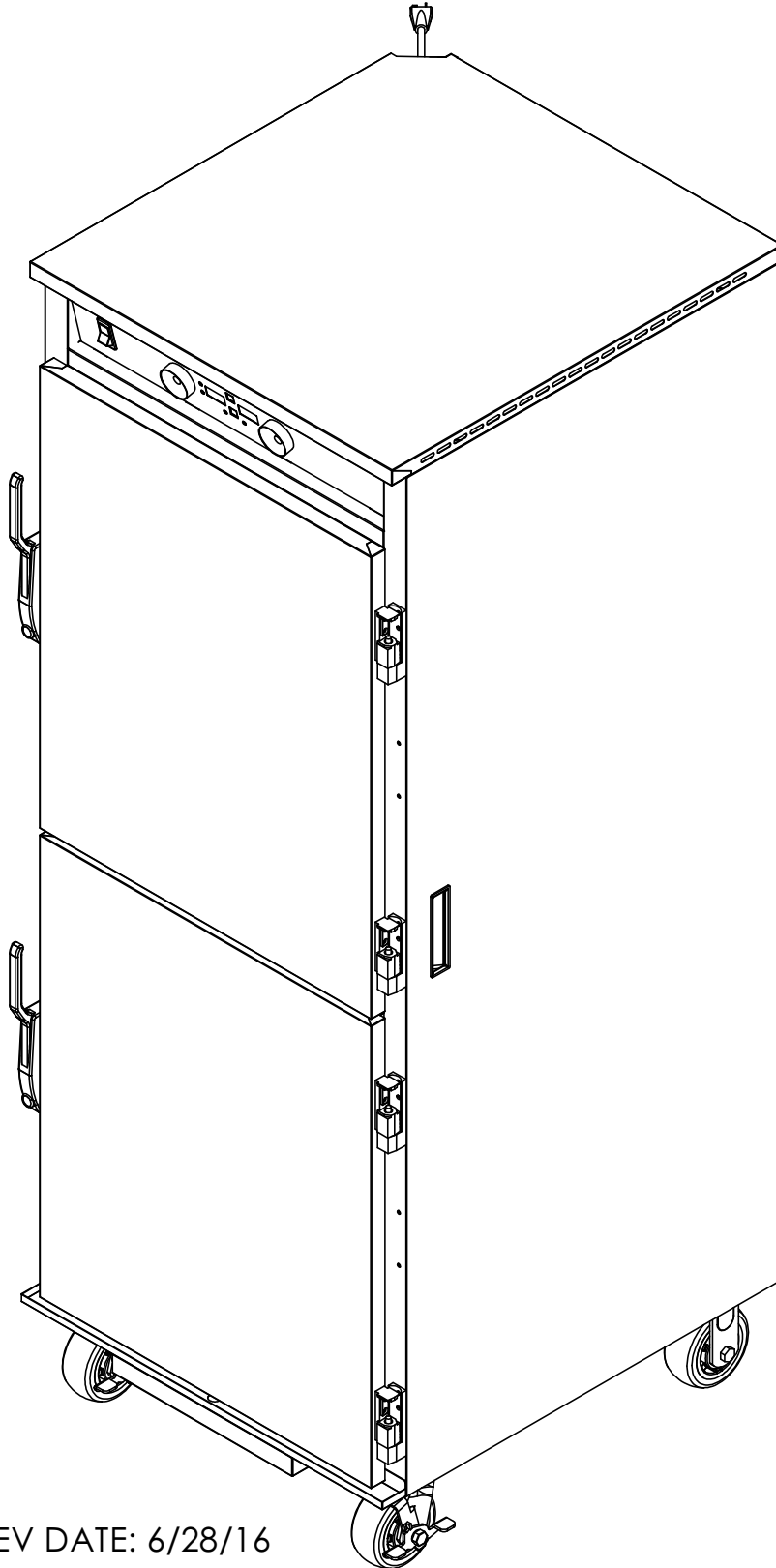
5599 Highway 31 West  
Portland, TN 37148  
(800) 222-4393

# PHTT-12

Pg.1 .....Title Page

Pg.3 .....PHTT-12 BOM

Pg.2 .....PHTT-12





| ITEM NO. | QTY. | PART NO.                                    | DESCRIPTION   | ITEM NO. | QTY. | PART NO.  | DESCRIPTION  |
|----------|------|---|---|----------|------|---|--|
| 1        | 1    | <a href="#">CRDSET20-115</a>                | CORD 12' 115 VOLT 5-20P 12GA 3 WIRE                 | 33       | 1    | SWH RCK E1  | SWITCH NON-LT ROCKER 125/250V 20AMP                |
| 2        | 1    | BSH STRN 4                                  | STRAIN-RELIEF BLK SR 8P-2                           | 34       | 1    | CNTRL PNL PHT                                     | OVERLAY CNTR PNL PHT 4.125X 24"                    |
| 3        | 1    | <a href="#">53518</a>                       | PHTT-12 CORD BRKT 3 POS CORD                        | 35       | 1    | <a href="#">57547</a>                             | PHTT-KFC CONTROL PANEL                             |
| 4        | 1    | <a href="#">56881</a>                       | DD-875 BACK SUPPORT PLATE                           | 36       | 1    | <a href="#">80030</a>                             | CNTRL PANEL PRECISE HUMITEMP                       |
| 5        | 1    | 25915                                       | PHTT OUTSIDE TOP 3 POS CORD                         | 37       | 1    | CNTRL BRD-PHTT STD                                | CONTROL BOARD FOR STANDARD PHTT                    |
| 6        | 2    | GRD FAN                                     | FAN GUARD   | 38       | 1    | <a href="#">TRNS-240-120-40VA</a>                 | TRANSFORMER 240V-120V 40 VA                        |
| 7        | 2    | FAN PHTT 115                                | SUNON 115V FAN,80 X 80 X 38MM                       | 39       | 1    | <a href="#">EL2000-120-HT</a> SCREW LUG           | ELEMENT 2000 WATT 120 VOLT                         |
| 8        | 2    | PL FLSH BLK ABS                             | DOOR PULL, BLACK ABS 5.01                           | 40       | 1    | SNAP DISC 210-250                                 | HI-LIMIT SWITCH NC                                 |
| 9        | 2    | CSTR 52-R-PPF                               | CASTER 5X2" EZ ROLL RIGID POLY BLUE                 | 41       | 1    | <a href="#">Z-500-1009</a> (INCLUDES 45-48)       | <a href="#">BLWR-120-60</a> WITH SNAP DISC 150-130 |
| 10       | 4    | 53221                                       | PHTT-12 UPRIGHT                                     | 42       | 2    | RLY 30AMP DPDT                                    | 30AMP PANEL MOUNT RELAY,2 POLE 120                 |
| 11       | 24   | <a href="#">SLD-UHS245-SS</a>               | TRAY SLIDE STAINLESS STEEL UHS245 SS ELECTRO-POLISH | 43       | 2    | RLY 30AMP DPDT-FIN                                | 30AMP PANEL MOUNT RELAY,2 POLE 120V                |
| 12       | 2    | CSTR 52-SB-PPF                              | CASTER 5X2" EZ ROLL SWIVL POLY BLUE                 | 44       | 1    | 57636   | PHTT COMPONENTS MOUNTING BRKT                      |
| 13       | 1    | 59728                                       | PHTT-12 SUPPLY TUNNEL                               | 45       | 1    | <a href="#">BLWR-120-60</a>                       | <a href="#">BLWR-120-60</a> WITH SNAP DISC 150-130 |
| 14       | 1    | 54241                                       | PHTT WATER PAN SLIDE BRKT                           | 46       | 1    | SNAP DISC 150-130                                 | COOL DOWN SNAP DISC F150 OPEN RISE                 |
| 15       | 1    | GSKT PHTT                                   | PHTT CLOSED CELL SILICONE GASKET .063               | 47       | 1    | GSKT 1MCS   | GSKT 1MCS @ 7"                                     |
| 16       | 1    | <a href="#">WATER-PAN-20-12-4</a>           | WATER PAN 20-3/4 X 12-3/4 X 4                       | 48       | 1    | <a href="#">59672</a>                             | BAY BLOWER END SEAL CAP                            |
| 17       | 2    | Z-301-2055 (INCLUDES 18,19)                 | PHTT-12D DOOR ASSY SC-LO/MAG RH-FR                  | 49       | 1    | <a href="#">Z-600-3850</a>                        | PHTT SENSOR NO T PROBE SERVICE KIT                 |
| 18       | 4    | <a href="#">HNG-LIFT-OFF-215</a>            | HINGE LIFT-OFF SELF CLOSING 1-3/16                  | 50       | 1    | <a href="#">THERMISTOR-PROBE</a>                  | <a href="#">THERMISTOR-PROBE</a>                   |
| 19       | 2    | LTH MAG OFFSET HNDL                         | CHROME MAGNETIC LATCH #1071B00024                   | 51       | 2    | <a href="#">GRMT-HT-3-16</a>                      | SILCONE GROMMET 3/16ID X 7/16OD                    |
| *20      | 1    | GASKET(SEE BOTTOM FOR DETAILS)              | (SEE BOTTOM FOR DETAILS)                            | 52       | 1    | <a href="#">SLV-ACRYLIC-WHITE-7-16 @ 7"</a>       | SLEEVING ACRYLIC 7/16 ID WHITE FA1                 |
| *20a     | 1    | GSKT MAG2531                                | MAG. DOOR GASKET 25.25 X 30.50                      | 53       | 1    | <a href="#">GRMT-HT-9-16</a>                      | SILCONE GROMMET 9/16ID X 1-1/16OD                  |
| *20b     | 1    | <a href="#">GSKT-D-24X29-875</a>            | SILICONE GASKET D-24.00X29.875                      | 54       | 2    | BSH-1-2   | SNAP-IN BUSHING SB-500-6                           |
| 21       | 1    | 66113                                       | PHTT- DRIP TROUGH PRSS/GSKT                         | 55       | 1    | COND PROBE 4N                                     | CONDUCTIVE PROBE 3.75" ELECTROLESS NICKEL PLATE    |
| 22       | 1    | <a href="#">EL2000-120PHTT</a>              | HEAT ELEMT 2000W 120V HUMI BENT                     | 56       | 1    | COND PROBE WASHER                                 | CONDUCTIVE PROBE WASHER                            |
| 23       | 1    | <a href="#">Z-800-2110</a> (INCLUDES 52-62) | PHTT-12 BTM ELEMT W/COND PRB                        | 57       | 1    | TEFLON WASHER                                     | TEFLON WASHER                                      |
| 24       | 1    | <a href="#">54327</a>                       | PHTT DRIP PAN                                       | 58       | 1    | W75X1-4X1-16                                      | WASHER SS 75" D                                    |
| 25       | 1    | 53497                                       | PHTT WATER PAN COVER                                | 59       | 1    | N1-4-20 NEUN                                      | NUT 1/4-20SS SELF LOCKING                          |
| 26       | 1    | 53601                                       | PHTT-12 SAFETY SWITCH MOUNT BRKT                    | 60       | 1    | S6-32X.25-SLTD RD                                 | SCRW 6-32X1/4 SLTD RDHD M/S STL ZIN                |
| 27       | 1    | SWH SAFETY-PHTT                             | SAFETY SWITHCH FOR WATER HEATER                     | 61       | 1    | 53358   | PHTT-12 ELEMENT MOUNTING COVER                     |
| 28       | 1    | 53498                                       | PHTT BOTTOM ELECTRICAL BOX COVER                    | 62       | 1    | PLG 1-2   | PLUG HOLE BLK-2643 OD.500                          |
| 29       | 1    | <a href="#">54955</a>                       | PHTT SIDE ACCESS PANEL                              | 63       | 1    | <a href="#">Z-500-1010</a> (INCLUDES PARTS 55-60) | FLOATBALL ELECT RET KIT SI-PHTT0001                |
| 30       | 1    | PLG 1 3-4                                   | PLUG-BK FINISHING-UNVENT-LOCK 1-3/4                 |          |      |   |  |
| 31       | 1    | <a href="#">Z-800-2042</a> (INCLUDES 49-51) | PHTT SENSOR MOUNT PLATE ASSY                        |          |      |   |  |
| 32       | 2    | KNB PHTT                                    | KNOB, DIMPLE TURN                                   |          |      |   |  |

\*UNITS WITH A SERIAL NUMBER MATCHING OR PRECEEDING 133531701 WILL RECEIVE 20(a) ALL SERIAL NUMBERS PROCEEDING 133531701 WILL RECEIVE 20(b)

IF YOU ARE UNABLE TO ACQUIRE A SERIAL NUMBER PLEASE CONTACT US FOR FURTHER ASSISTANCE IN IDENTIFYING AND PURCHASING A REPLACEMENT GASKET OR ANY OTHER QUESTIONS YOU MAY HAVE.  
PHONE: (800)-222-4393



|  |                          |
|--|--------------------------|
| DRAWING #: <b>PHTT-12</b>                      |                          |
| DESCRIPTION: <b>UNIVERSAL PRECISE HUMIDITY</b> |                          |
| DRAWN BY: DP                                   | LAST SAVED BY: dplodzien |