



5599 Highway 31 West
Portland, TN 37148
(615) 325-2774

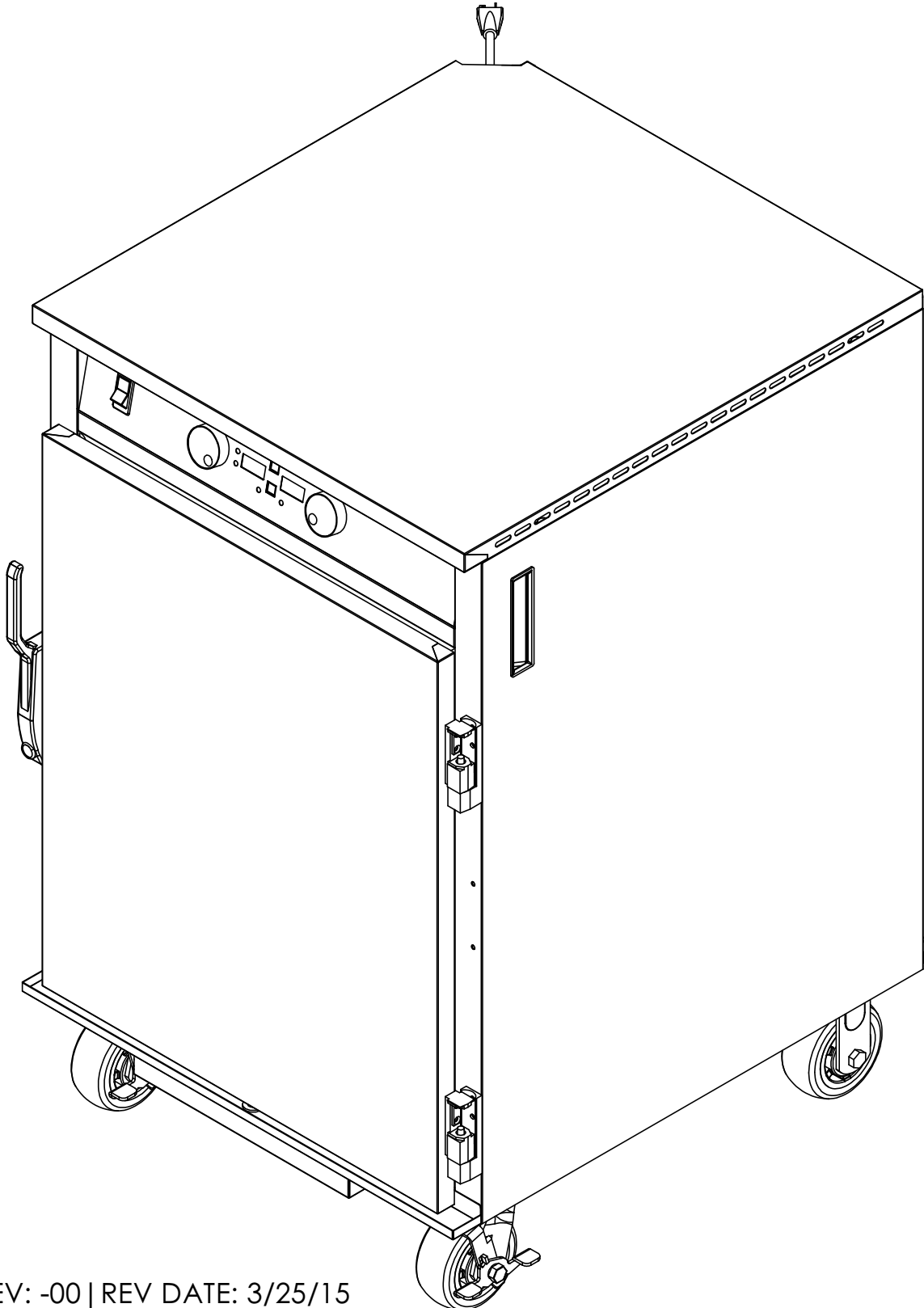
PHTT-4

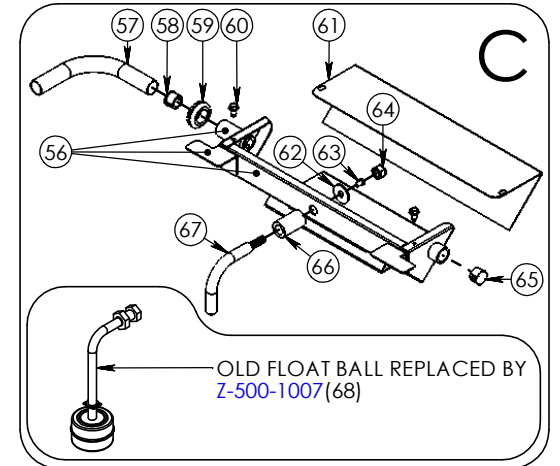
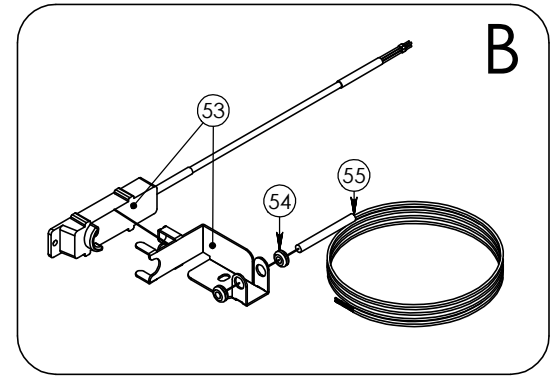
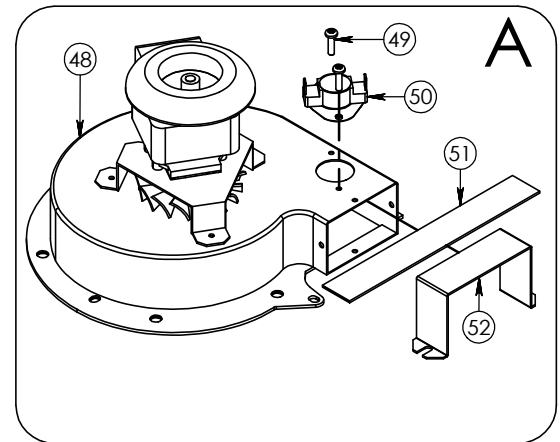
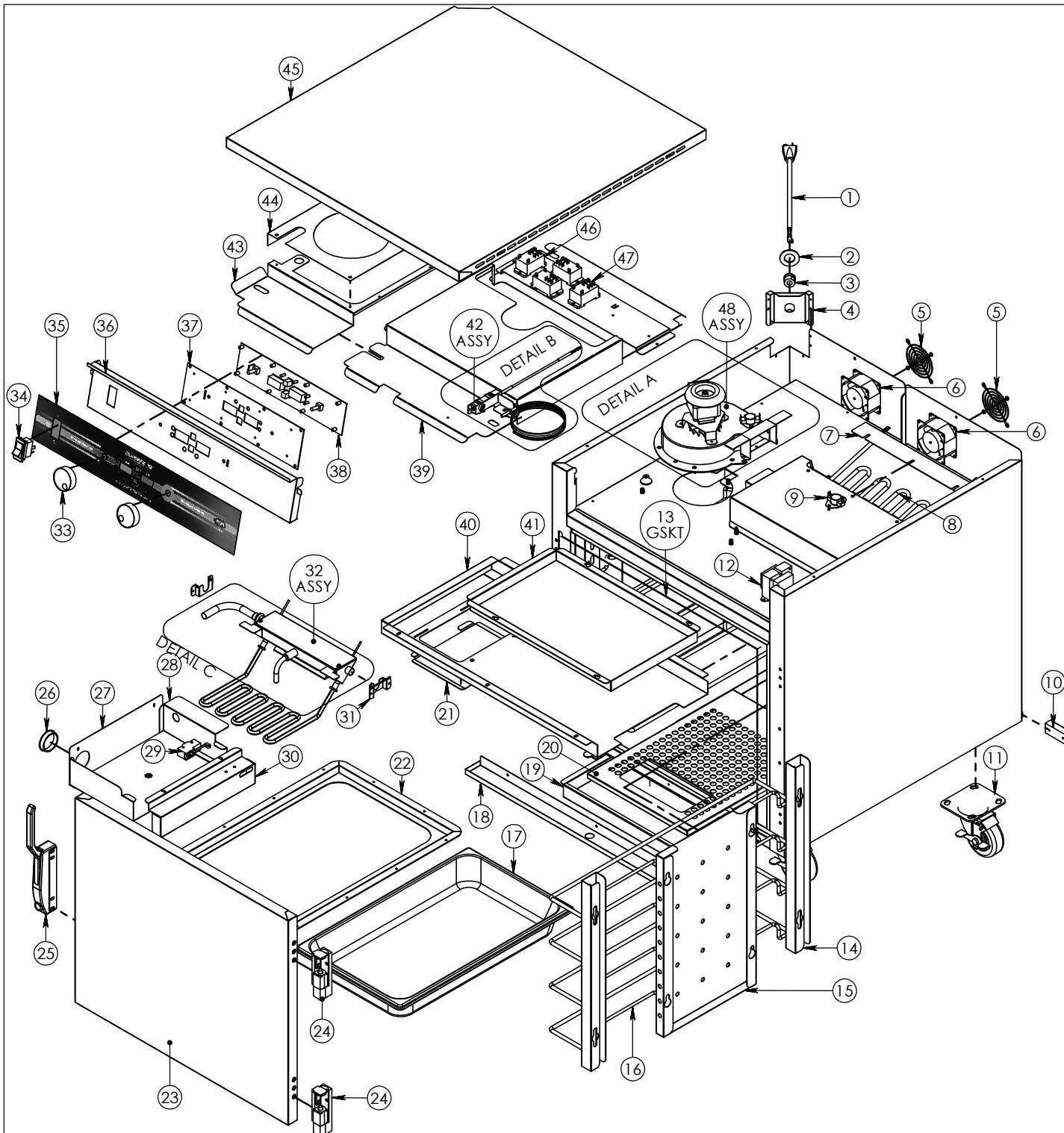
Pg.1Title Page

Pg.3PHTT-4 BOM

Pg.2PHTT-4

Pg.4OPTIONAL STACKING KIT





DRAWING #: PHTT-4	
DESCRIPTION: UNIVERSAL PRECISE HUMIDITY	
DRAWN BY: JR	LAST SAVED BY: jreyes

ITEM NO.	QTY.	PART NO.	DESCRIPTION				
				34	1	SWH RCK E1	SWITCH NON-LT ROCKER 125/250V 20AMP
1	1	CRDSET20-115	CORD 12' 115 VOLT 5-20P 12GA 3 WIRE	35	1	CNTRL PNL PHT	OVERLAY CNTR PNL PHT 4.125X 24"
2	1	56881	DD-875 BACK SUPPORT PLATE	36	1	58061	PHTT-4 CONTROL PANEL TILTED UP
3	1	BSH STRN 4	STRAIN-RELIEF BLK SR 8P-2	37	1	80030	CNTRL PANEL PRECISE HUMITEMP
4	1	53518	PHTT-4 CORD BRKT 3 POS CORD	38	1	CNTRL BRD-PHTT STD	CONTROL BOARD FOR STANDARD PHTT
5	2	GRD FAN	FAN GUARD	39	1	54706	PHTT TOP ELEM HOUSING INSUL HOLDER
6	2	FAN PHTT 115	SUNON 115V FAN.80 X 80 X 38MM	40	1	59705	PHTT-4 BLOWER RETURN BAFFLE
7	1	54611	SINGLE ELEMENT MOUNTING PLATE	41	1	54953	TOP MOUNT BOTTOM HEAT COVER
8	1	EL2000-120-HT SCREW LUG	ELEMENT 2000 WATT 120 VOLT	42	1	Z-800-2042 (INCLUDES PARTS 53-55)	PHTT SENSOR MOUNT PLATE ASSY
9	1	SNAP DISC 210-250	HI-LIMIT SWITCH NC L250	43	1	53211	PHTT INSIDE TOP INSUL COVER
10	4	BMPR END CP	BUMPER END CAP GREY	44	1	54707	TOP BLOWER ACCESS PLATE
11	4	CSTR 3.5 SB-5	CASTER 3.5" SWIVEL BRAKE HEAVY DUTY	45	1	23485	PHTT-4 OUTSIDE TOP 3 POS CORD
12	1	TRNS-240-120-40VA	TRANSFORMER 240V-120V 40 VA	46	2	RLY 30AMP DPDT	30AMP PANEL MOUNT RELAY,2 POLE 120V
* 13	1	GASKET (SEE BOTTOM FOR DETAILS)	SEE BOTTOM FOR DETAILS	47	2	RLY 30AMP DPDT-FIN	30AMP PANEL MOUNT RELAY,2 POLE 120V
* 13(a)	1	GSKT MAG2520	MAG. DOOR GASKET 25.25"X 20.875"	48	1	Z-500-1009 (INCLUDES PARTS 51, 52)	BLOWER ASSEMBLY 120V, 60HZ
* 13(b)	1	GSKT-D-24X20-125	SILICONE GASKET D-24.00X20.125	49	2	S8-32X10 CTS	SCRW 8-32X5/8 PH CUT 410
14	4	53445	PHTT-4 UPRIGHT	50	1	SNAP DISC 150-130	COOL DOWN SWITCH NO F150
15	2	53441	PHTT-4 SIDE TUNNEL	51	1	GSKT 1MCS @ 7"	MED CELL SIL FOAM GSKT 1X.25X20PSA
16	8	SLD-UHS245-SS	TRAY SLIDE STAINLESS STEEL UHS245 SS ELECTRO-POLISH	52	1	59672	BAY BLOWER END SEAL CAP
17	1	PAN 12X20X2.5	ALUMINUM PAN 12"X20"X2-1/2"	53	1	Z-600-3850	PHTT SENSOR NO T PROBE
18	1	66113	PHTT- DRIP THROUGH PRSS/GSKT	54	2	GRMT-HT-3-16	SILCONE GROMMET 3/16ID X 7/16OD
19	1	54327	PHTT DRIP PAN	55	1	THERMISTOR-PROBE	THERMISTOR-PROBE
20	1	53497	PHTT-4 WATER PAN COVER	56	1	Z-600-2858	PHTT BOTTOM ELEMENT PLATE ASSY
21	1	57659	PHTT BAFFLE ACCESS PLATE	57	1	SLV-ACRYLIC-WHITE-7-16 @ 7"	SLEEING ACRYLIC 7/16 ID WHITE FA1
22	1	54241	PHTT WATER PAN SLIDE BRKT	58	1	BSH-1-2	SNAP-IN BUSHING SB-500-6
23	1	Z-301-2095 (INCLUDES PARTS 24, 25)	PHTT-4 DOOR ASSY SC/MAG RH	59	1	GRMT-HT-9-16	SILCONE GROMMET 9/16ID X 1-1/16OD
24	2	HNG-LIFT-OFF-215	HINGE LIFT-OFF SELF CLOSING 1-3/16	60	2	S8-32X375 HEX	SCREW, 8-32X3/8" HEX HD, 316 SS
25	1	LTH MAG OFFSET HNDL	CHROME MAGNETIC LATCH #1071B00024	61	1	53358	PHTT-4 ELEMENT MOUNTING COVER
26	1	PLG 1 3-4	PLUG-BK FINISHING-UNVENT-LOCK 1-3/4	62	1	TEFLON WASHER	TEFLON WASHER
27	1	54955	PHTT SIDE ACCESS PANEL	63	1	S6-32X,25-SLTD RD	SCRW 6-32X1/4 SLTD RDHD M/S STL ZIN
28	1	53498	PHTT-4 BOTTOM ELECTRICAL BOX COVER	64	1	N1-4-20 NEUN	NUT 1/4-20SS SELF LOCKING
29	1	SWH SAFETY-PHTT	SAFETY SWITCHCH FOR WATER HEATER	65	1	PLG 1-2	PLUG HOLE BLK-2643 OD.500
30	1	53601	PHTT-4 SAFETY SWITCH MOUNT BRKT	66	1	COND PROBE WASHER	CONDUCTIVE PROBE WASHER
31	2	53690	PHTT-4 BOTTOM HEAT PIVOT CAP	67	1	COND PROBE N	CONDUCTIVE PROBE ELECTROLESS NICKEL PLATE
32	1	Z-800-2111 (INCLUDES PARTS 56-67)	PHTT-4 ELEM HOUSING W/COND PRB	68	1	Z-500-1007 (INCLUDES PARTS 62-64, 66-67)	FLOATBALL ELECT RET KIT SI-PHTT0001
33	2	KNB PHTT	KNOB, DIMPLE TURN				

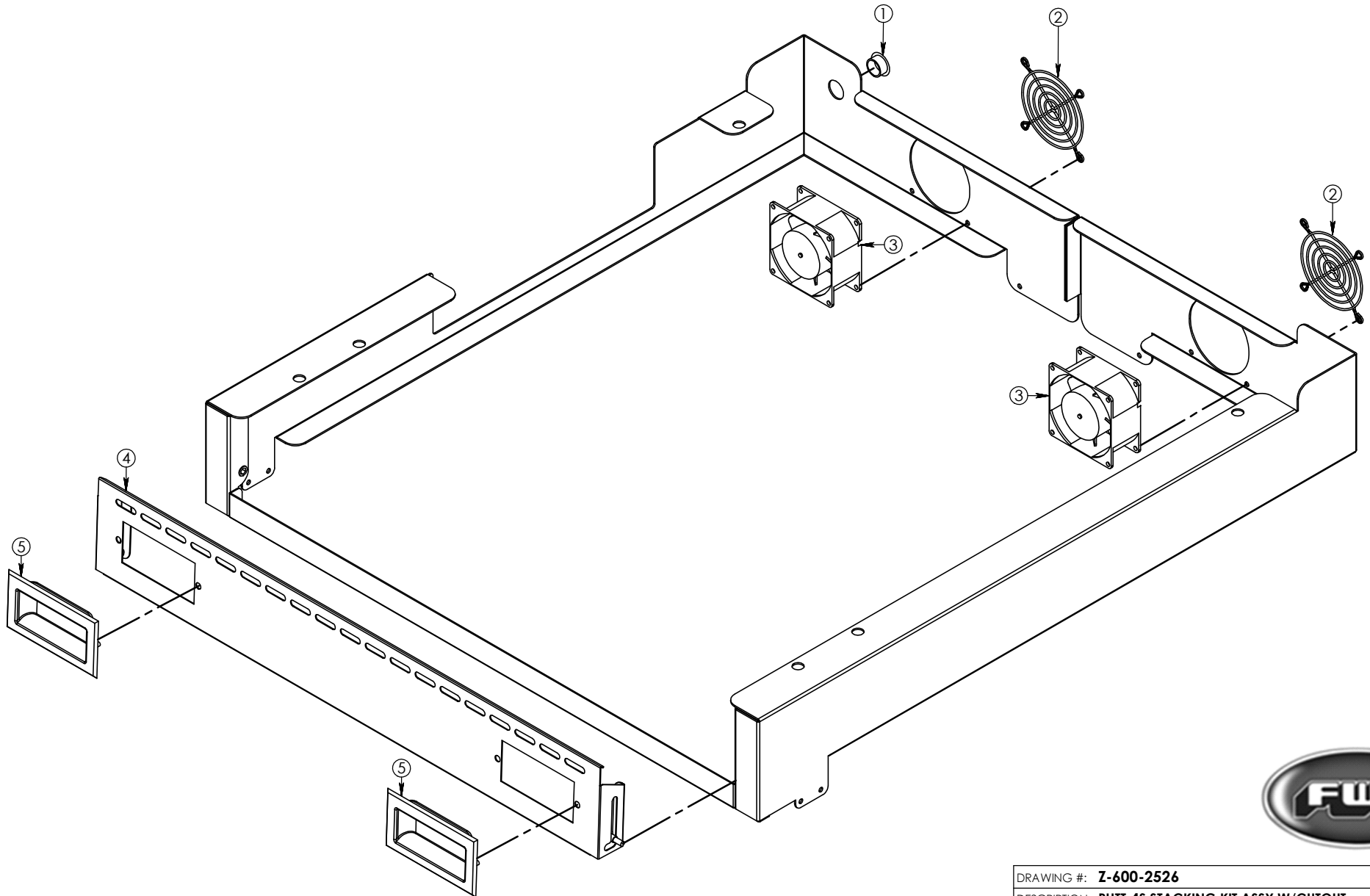
*UNITS WITH A SERIAL NUMBER MATCHING OR PRECEDING 144032701 WILL RECEIVE 13(a) ALL SERIAL NUMBERS PROCEEDING 144032701 WILL RECEIVE 13(b)

IF YOU ARE UNABLE TO ACQUIRE A SERIAL NUMBER PLEASE CONTACT US FOR FURTHER ASSISTANCE IN IDENTIFYING AND PURCHASING A REPLACEMENT GASKET OR ANY OTHER QUESTIONS YOU MAY HAVE.
PHONE: (800)-222-4393



DRAWING #: PHTT-4	
DESCRIPTION: UNIVERSAL PRECISE HUMIDITY	
DRAWN BY: JR	LAST SAVED BY: jreyes

ITEM NO.	QTY.	PART NO.	DESCRIPTION
1	1	PLG 3/4	PLUG HOLE WHT-2684 OD.750
2	2	GRD FAN	FAN GUARD
3	2	FAN PHTT 115	SUNON 115V FAN,80 X 80 X 38MM
4	1	67210	PHTT-4S STACKING ACCESS PLATE
5	2	PL FLSH	PULL RECESSED HAND GRIP



DRAWING #: **Z-600-2526**
 DESCRIPTION: **PHTT-4S STACKING KIT ASSY W/CUTOUT**
 DRAWN BY: JR LAST SAVED BY: jreyes