



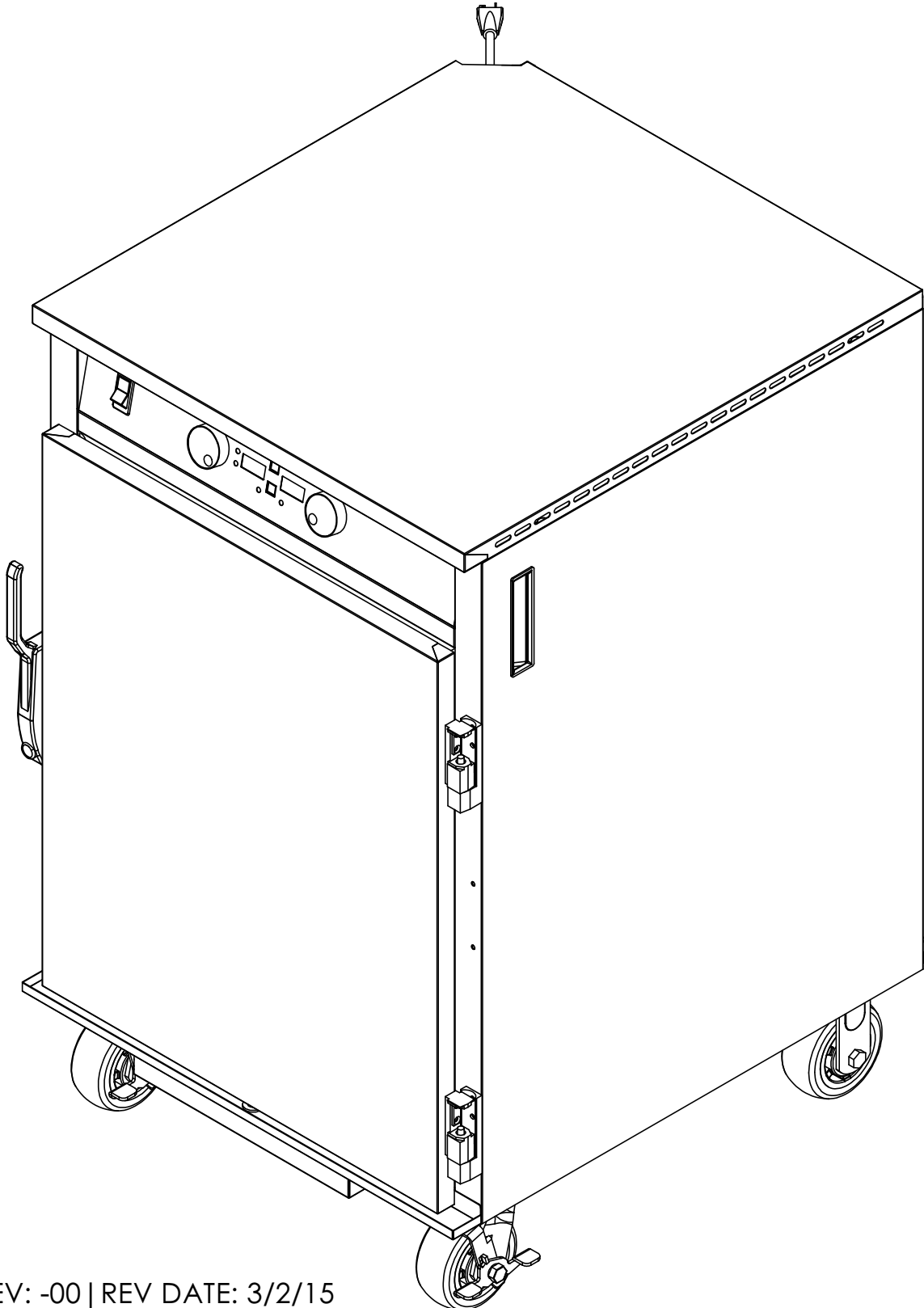
5599 Highway 31 West
Portland, TN 37148
(615) 325-2774

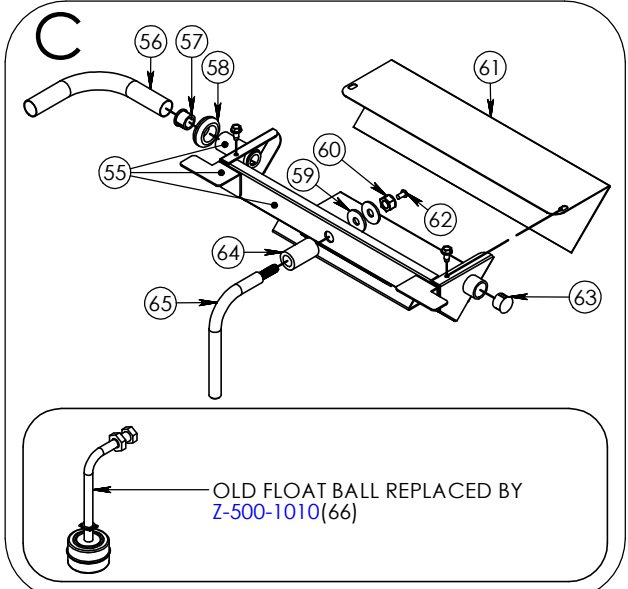
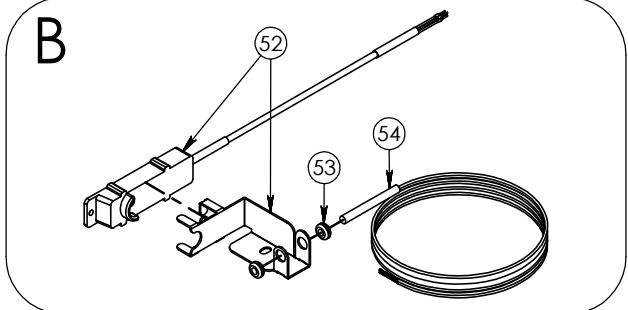
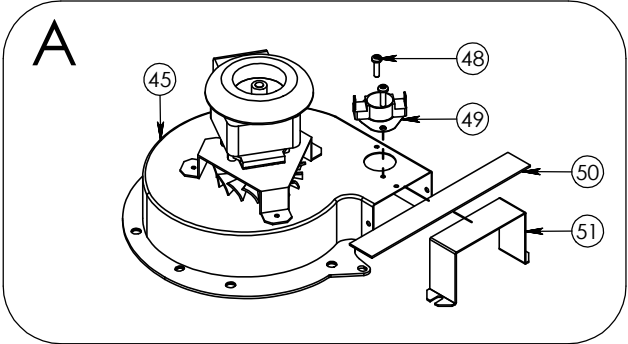
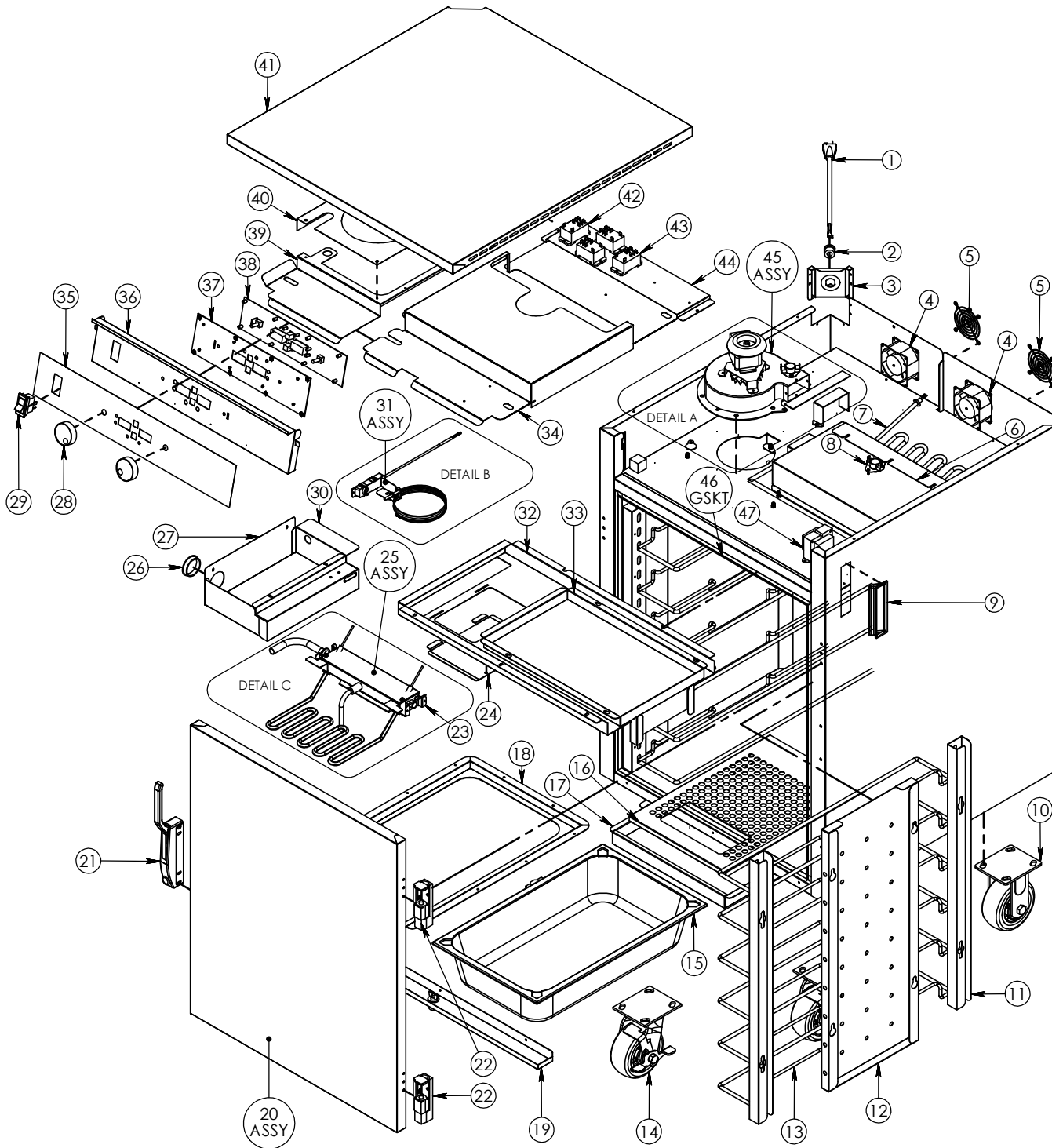
PHTT-6

Pg.1Title Page

Pg.3PHTT-6 BOM

Pg.2PHTT-6





DRAWING #: PHTT-6	
DESCRIPTION: UNIVERSAL PRECISE HUMIDITY	
DRAWN BY: JR	LAST SAVED BY: jreyes

ITEM NO.	QTY.	PART NO.	DESCRIPTION			
				35	1	CNTRL PNL PHT OVERLAY CNTR PNL PHT 4.125X 24"
1	1	CRDSET20-115	CORD 12' 115 VOLT 5-20P 12GA 3 WIRE	36	1	58061 PHTT-4-6 CONTROL PANEL TILTED UP
2	2	BSH STRN 4	STRAIN-RELIEF BLK SR 8P-2	37	1	80030 CNTRL PANEL PRECISE HUMITEMP
3	1	53518	PHTT-12 CORD BRKT 3 POS CORD	38	1	CNTRL BRD-PHTT STD CONTROL BOARD FOR STANDARD PHTT
4	2	FAN PHTT 115	SUNON 115V FAN,80 X 80 X 38MM	39	1	53211 PHTT INSIDE TOP INSUL COVER
5	2	GRD FAN	FAN GUARD	40	1	54707 TOP BLOWER ACCESS PLATE
6	1	54611	SINGLE ELEMENT MOUNTING PLATE	41	1	23485 PHTT-KFC OUTSIDE TOP 3 POS CORD
7	1	EL2000-120-HT SCREW LUG	ELEMENT 2000 WATT 120 VOLT	42	2	RLY 30AMP DPDT 30AMP PANEL MOUNT RELAY,2 POLE 120
8	1	SNAP DISC 210-250	HI-LIMIT SWITCH NC L250	43	2	RLY 30AMP DPDT-FIN 30AMP PANEL MOUNT RELAY,2 POLE 120V
9	2	PL FLSH BLK ABS	DOOR PULL, BLACK ABS 5.01	44	1	57636 PHTT COMPONENTS MOUNTING BRKT
10	2	CSTR 52-R-PPF	CASTER 5X2" EZ ROLL RIGID POLY BLUE	45	1	Z-500-1009 (INCLUDES PARTS 50, 51) REVCOR-BAY MOTOR RET KIT SI-KFC0010
11	4	53689	PHTT-6 UPRIGHT	*46	1	GASKET(SEE BOTTOM FOR DETAILS) (SEE BOTTOM FOR DETAILS)
12	1	53687	PHTT-6 TUNNEL	*46(a)	1	GSKT MAG2531 MAG. DOOR GASKET 25.25 X 30.50
13	12	SLD-UHS245-SS	TRAY SLIDE STAINLESS STEEL UHS245 SS ELECTRO-POLISH	*46(b)	1	GSKT-D-24X29-875 SILICONE GASKET D-24.00X29.875
14	2	CSTR 52-SB-PPF	CASTER 5X2" EZ ROLL SWIVL POLY BLUE	47	1	TRNS-240-120-40VA TRANSFORMER 240V-120V 40 VA
15	2	WATER-PAN-20-12-4	WATER PAN 20-3/4 X 12-3/4 X 4	48	6	S8-32X10 CTS SCRW 8-32X5/8 PH CUT 410
16	1	53497	PHTT-4 WATER PAN COVER	49	3	SNAP DISC 150-130 COOL DOWN SWITCH NO F150
17	1	54327	PHTT DRIP PAN	50	1	GSKT 1MCS MED CELL SIL FOAM GSKT 1X.25X20"PSA
18	1	54241	PHTT WATER PAN SLIDE BRKT	51	1	59672 BAY BLOWER END SEAL CAP
19	1	66113	PHTT- DRIP TROUGH PRSS/GSKT	52	1	Z-600-3850 PHTT SENSOR NO T PROBE
20	1	Z-301-2055 (INCLUDES PARTS 21, 22)	PHTT-12D DOOR ASSY SC/MAG RH	53	2	GRMT-HT-3-16 SILICONE GROMMET 3/16ID X 7/16OD
21	1	LTH MAG OFFSET HNDL	CHROME MAGNETIC LATCH #1071B00024	54	1	THERMISTOR-PROBE THERMISTOR-PROBE
22	2	HNG-LIFT-OFF-215	HINGE LIFT-OFF SELF CLOSING 1-3/16	55	1	Z-600-2858 PHTT BOTTOM ELEMENT PLATE ASSY
23	2	53690	PHTT-6 BOTTOM HEAT PIVOT CAP	56	1	SLV-ACRYLIC-WHITE-7-16 @ 7" SLEEVING ACRYLIC 7/16 ID WHITE FA1
24	1	57659	PHTT BAFFLE ACCESS PLATE	57	2	BSH-1-2 SNAP-IN BUSHING SB-500-6
25	1	Z-800-2110 (INCLUDES PARTS 55-65)	PHTT-6,8,12 BTM ELEMT W/COND PRB	58	1	GRMT-HT-9-16 SILICONE GROMMET 9/16ID X 1-1/16OD
26	1	PLG 1 3-4	PLUG-BK FINISHING-UNVENT-LOCK 1-3/4	59	1	TEFLON WASHER TEFLON WASHER
27	1	54955	PHTT SIDE ACCESS PANEL	60	1	N1-4-20 NEUN NUT 1/4-20SS SELF LOCKING
28	2	KNB PHTT	KNOB, DIMPLE TURN	61	1	53358 PHTT-12 ELEMENT MOUNTING COVER
29	1	SWH RCK E1	SWITCH NON-LT ROCKER 125/250V 20AMP	62	1	S6-32X.25-SLTD RD SCRW 6-32X1/4 SLTD RDHD M/S STL ZIN
30	1	53498	PHTT-4 BOTTOM ELECTRICAL BOX COVER	63	1	PLG 1-2 PLUG HOLE BLK-2643 OD.500
31	1	Z-800-2042 (INCLUDES PARTS 52-54)	PHTT SENSOR MOUNT PLATE ASSY	64	1	COND PROBE WASHER CONDUCTIVE PROBE WASHER
32	1	59705	PHTT-4 BLOWER RETURN BAFFLE	65	1	COND PROBE 4N CONDUCTIVE PROBE 3.75" ELECTROLESS NICKEL PLATE
33	1	54953	TOP MOUNT BOTTOM HEAT COVER	66	1	Z-500-1010 (INCLUDES PARTS 59,60,62,64,65) FLOATBALL ELECT RET KIT SI-PHTT0001
34	1	54706	PHTT TOP ELEM HOUSING INSUL HOLDER			

*UNITS WITH A SERIAL NUMBER MATCHING OR PRECEDING 133632002 WILL RECEIVE 46(a) ALL SERIAL NUMBERS PROCEEDING 133632002 WILL RECEIVE 46(b)

IF YOU ARE UNABLE TO ACQUIRE A SERIAL NUMBER PLEASE CONTACT US FOR FURTHER ASSISTANCE IN IDENTIFYING AND PURCHASING A REPLACEMENT GASKET OR ANY OTHER QUESTIONS YOU MAY HAVE.
PHONE: (800)-222-4393



DRAWING #: PHTT-6	
DESCRIPTION: UNIVERSAL PRECISE HUMIDITY	
DRAWN BY: JR	LAST SAVED BY: jreyes