

# Parts Catalog



**4600NF**

## **Slicing Machine Frozen**

**Model: 4600NF**

9/13/17 Rev. -  
IMPORTANT!

TO EXPEDITE SHIPMENT OF PARTS, ALWAYS SPECIFY MODEL, REV,  
PART NUMBER, AND SERIAL NUMBER OF UNIT.

### **GLOBE FOOD EQUIPMENT COMPANY**

2215 East River Road  
Dayton, Ohio 45439

#### **Parts Department**

Toll Free 1-800-745-6238 · Fax (937) 290-0585

E-Mail: [info@globefoodequip.com](mailto:info@globefoodequip.com)

Website: [www.globefoodequip.com](http://www.globefoodequip.com)

Not for resale

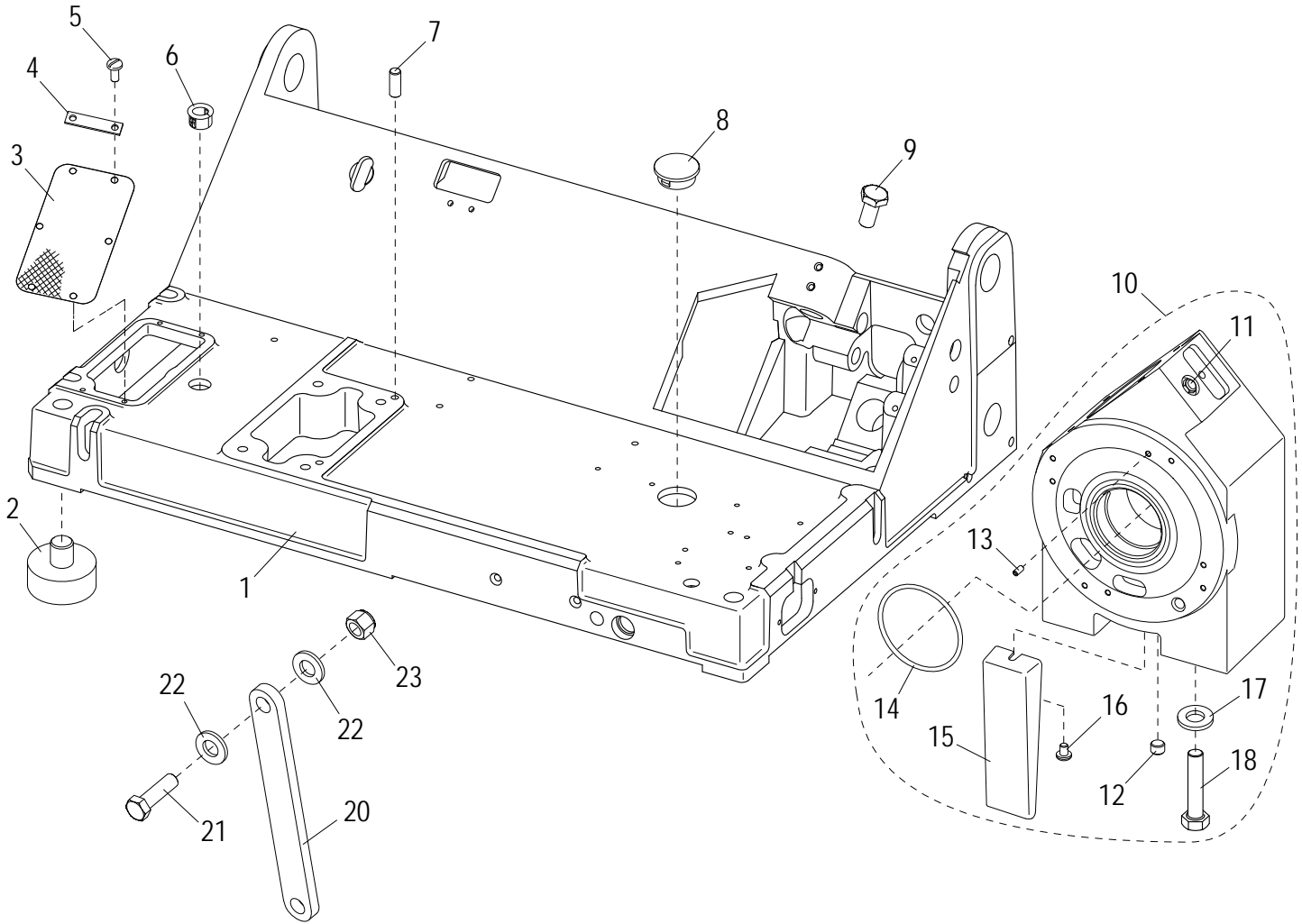


# Table of Contents

Description	Page
4600NF Slicer Base Components	4
4600NF Base Shroud and Components	6
4600NF Slicer Knife Rim Guard Components	8
4600NF Knife and Knife Cover Components	10
4600NF Knife Sharpener Assembly Components	12
4600NF Carriage Assembly and End Weight Components	14
4600NF Knife Motor Bearing Assembly Components	16
4600NF Knife Motor Components	18
4600NF Slicer Gauge Plate Components	20
4600NF Gauge Plate Adjustment Components	22
4000NF Carriage Slide System Components	24
4600NF Electrical System Components	26
4600NF Carriage Fence Accessories	28
4600NF Vegetable Hopper Assembly	30
4600NF Manual Slicer Schematic	32



# 4600NF Slicer Base Components



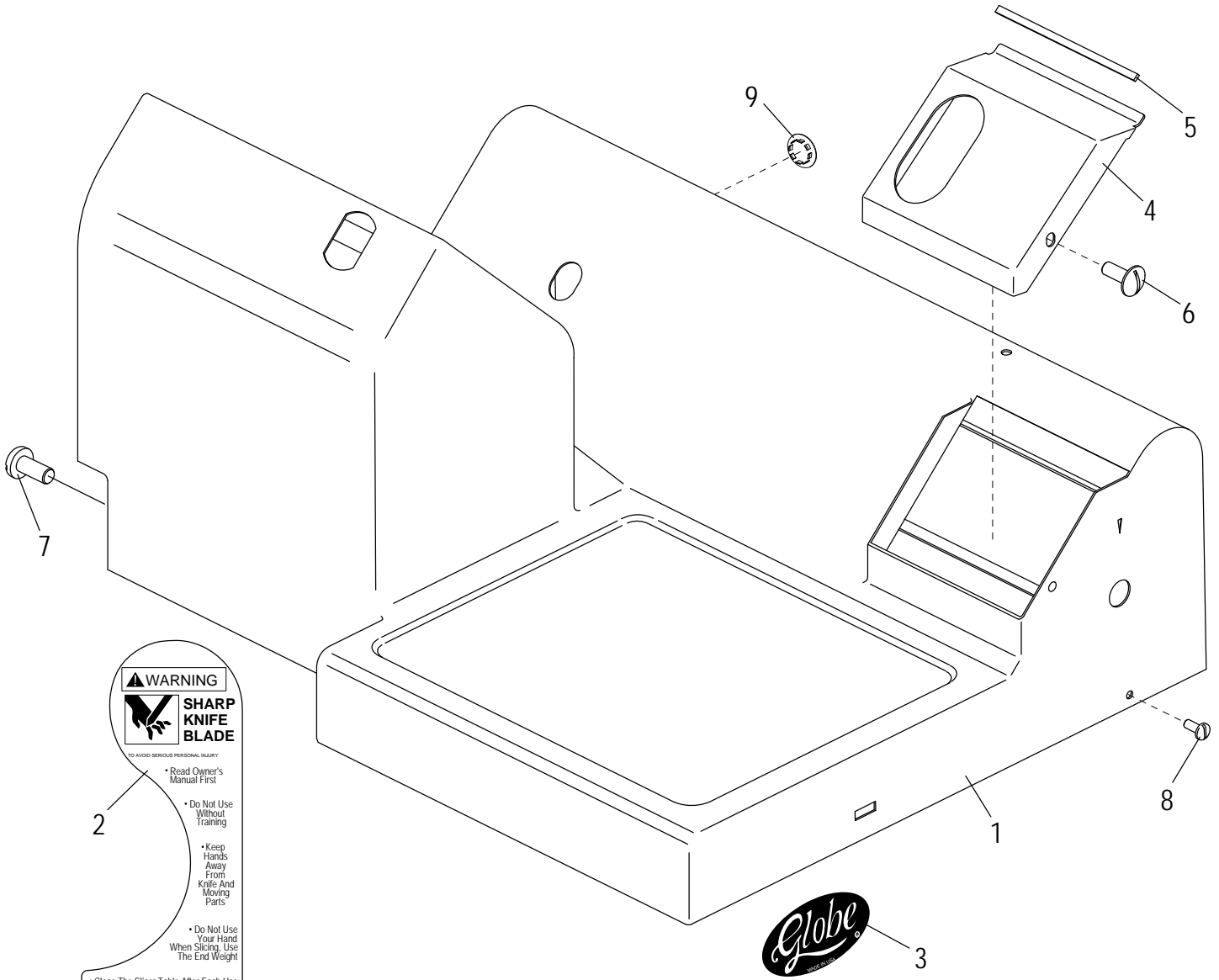


## 4600NF Slicer Base Components

Item	Part Number	Description	Qty	Serial Number
1	1385	Base, Manual	1	
2	817-S	Slicer Foot	4	
3	1148	Motor Screen	1	
4	1255	Motor Screen Brace	2	
5	1227	Screw, Shroud	4	
6	550002	Split Bushing	3	
7	1091	Dowel Pin	2	
8	1208	Hole Plug	1	
9	975-1	Screw, Gauge Plate Slide Rod	1	
10	070051	Gear Housing Assembly (Incls. items 11-18)	1	
11		Vent Plug (Included with Gear Housing)	1	
12	890082	Drain Plug	1	
13	700-3	Set Screw	1	
14	840001	O-Ring	1	
15	520100	Oil Drain Chute	1	
16	810305	Mach. Screw 10-32x1/4	1	
17	763-4A	Flat Washer	4	
18	369-1	Hex Bolt	4	
19	920000	Gearbox Oil, 6.5 oz. Bottle (Not Shown)	1	
20	873-CB	Cleaning Brace	1	
21	477	Bolt, Hex Head	1	
22	763-4A	Flat Washer	2	
23	873-CB-1	Nut, Nylon Insert	1	



# 4600NF Base Shroud and Components



**WARNING**

**SHARP KNIFE BLADE**

TO AVOID SERIOUS PERSONAL INJURY

- Read Owner's Manual First
- Do Not Use Without Training
- Keep Hands Away From Knife And Moving Parts
- Do Not Use Your Hand When Slicing Use The End Weight

• Close The Slicer Table After Each Use

• Turn Off And Unplug Before Cleaning Or Servicing

• Thoroughly Clean And Sanitize Entire Unit



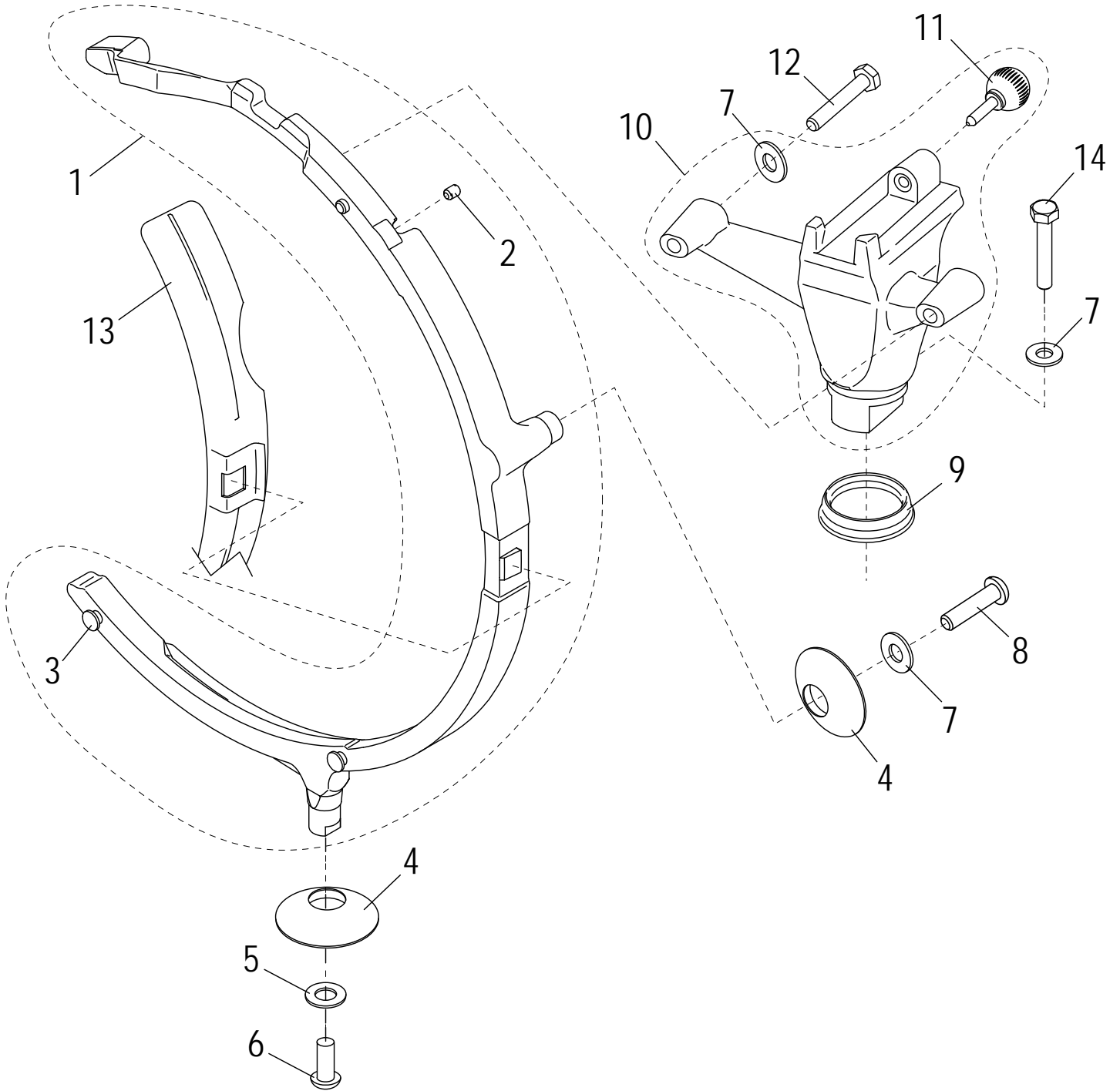
## 4600NF Base Shroud and Components

---

Item	Part Number	Description	Qty	Serial Number
1	330124-01	Base Shroud, Manual	1	
2	910242	Warning Label, English	1	
2A	910243-02	Warning Label, Spanish (Option) (Not shown)	1	
2A	910243-01	Warning Label, French (CSA Units) (Not shown)	1	
3	871-2	Globe Logo Decal 3.5"	1	
4	320071	Cover, Gauge Plate Mechanism	1	
5	530017	Gasket, Gauge Plate Mechanism Cover	1	
6	900-1	Screw, Truss Hd	1	
7	762-6	Mach. Screw 1/4-20 x .50	2	
8	1227	Screw, Shroud	1	
9	890200	Hole Plug, EZ Glide System	1	



# 4600NF Slicer Knife Rim Guard Components





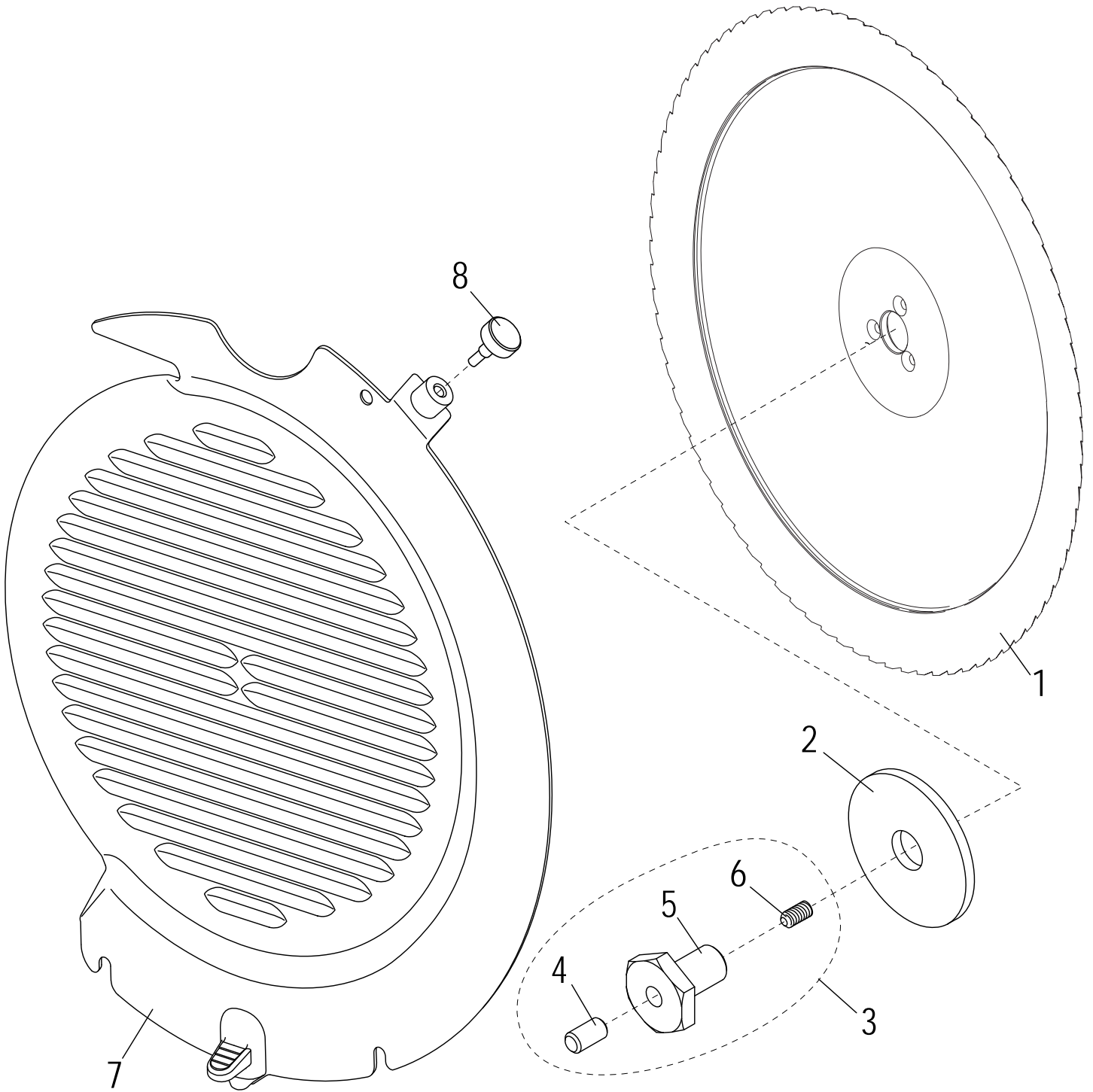


## 4600NF Slicer Knife Rim Guard Components

Item	Part Number	Description	Qty	Serial Number
1	520250	Knife Rim Guard Assembly (Incls. items 2-3)	1	
2	810382	Set Screw	1	
3	460036	Locator Pin	2	
4	520220	Mounting Boot	2	
5	825-2	Flat Washer	1	
6	1217	Screw, Button Head	1	
7	825-2	Flat Washer	4	
8	1217	Screw, Button Head	1	
9	520221	Sharpener Bracket Foot	1	
10	520261	Rim Guard/Sharpener Mounting Bracket (Incls. item 11)	1	
11	520330	Sharpener Release Knob	1	
12	890460	Screw, Hex Head	2	
13	520219	Product Retainer	1	
14	890470	Screw, Hex Head	1	



# 4600NF Knife and Knife Cover Components





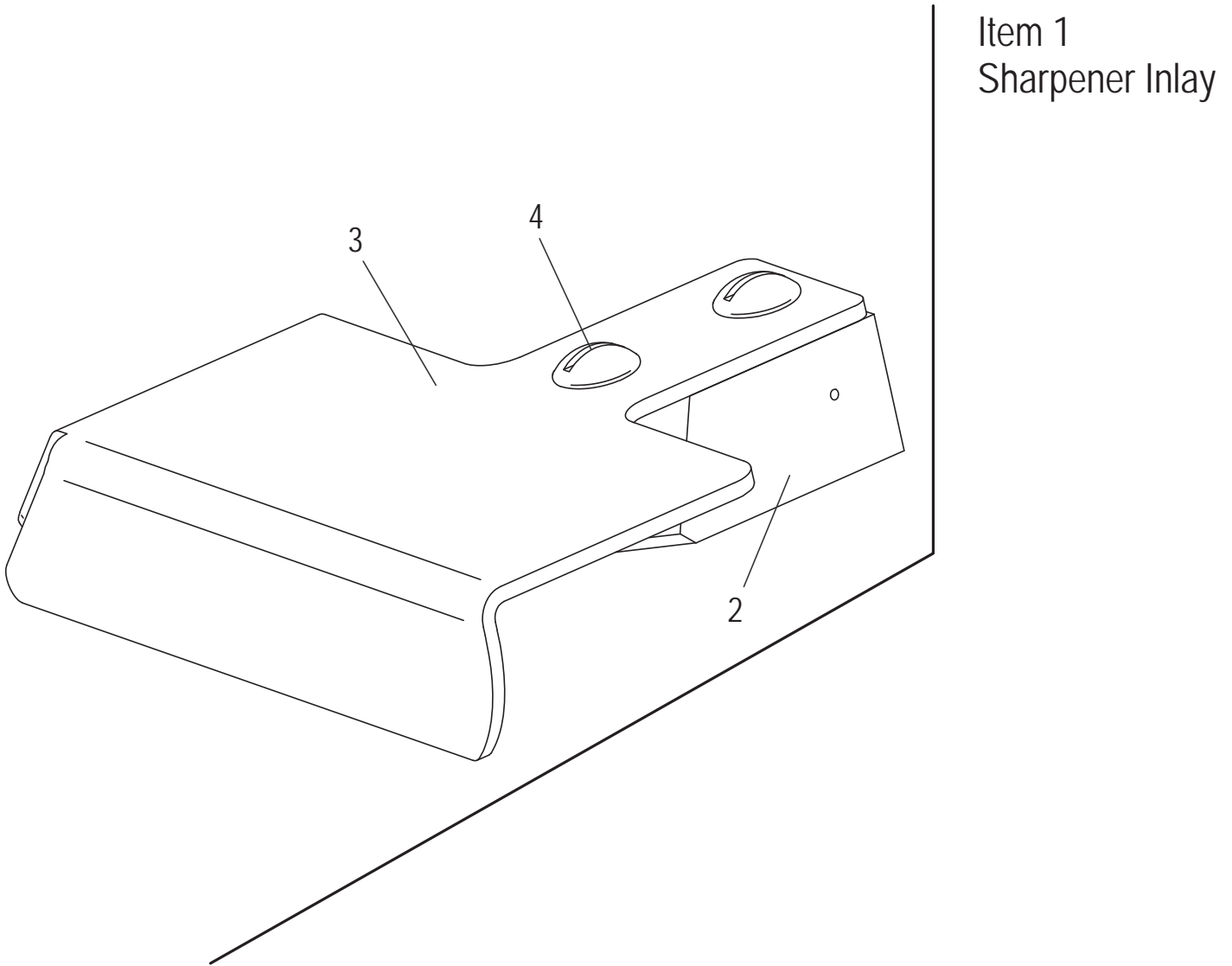
## 4600NF Knife and Knife Cover Components

---

Item	Part Number	Description	Qty	Serial Number
1	460028	Serrated Knife, Carbon Steel	1	
2	1092	Flat Washer	1	
3	800001	Knife Bolt Assembly (Incls. items 4-6)	1	
4	1193	Plug	1	
5	1093	Bolt	1	
6	1194	Set Screw	1	
7	330205-01	Knife Cover Assembly, Standard (Incls. 460045)	1	
7	330205-02	Knife Cover Assembly, Security	1	
7	330205-03	Knife Cover Assembly, Quick Clean (Incls. 460045)	1	
8	460045	Knife Cover Release Knob	1	



**4600NF Knife Sharpener Assembly Components**



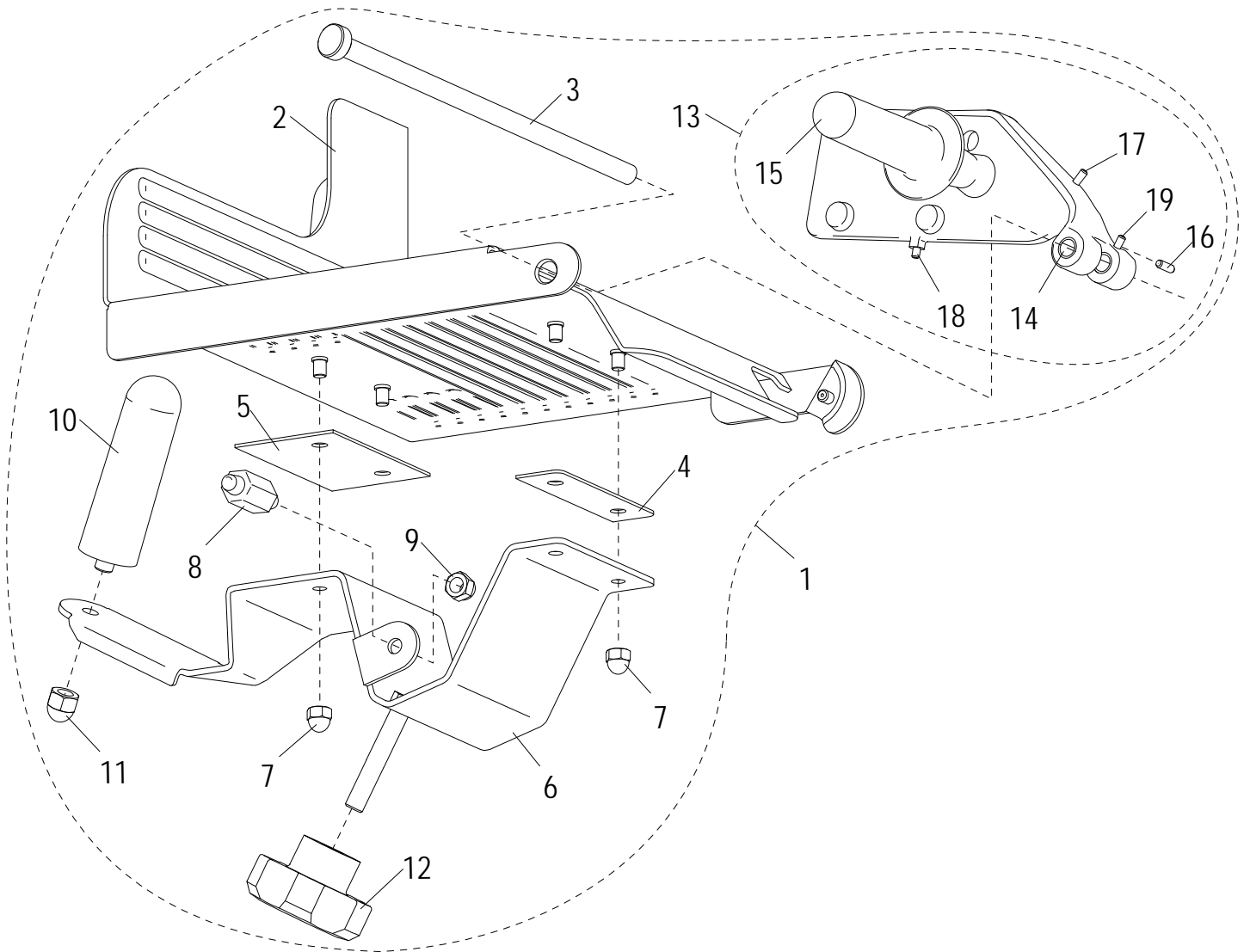


## 4600NF Knife Sharpener Assembly Components

Item	Part Number	Description	Qty	Serial Number
1	340033	Sharpener Inlay, Standard	1	
1	340033-03	Sharpener Inlay, Security	1	
2	340032	Inlay Mounting Block	1	
3	460053	Inlay, Knife Cover	1	
4	762-6	Mach. Screw 1/4-20 x .50	1	
4	810180	Mach. Screw, Tamper-Proof, 1/4-20 x .50	1	



# 4600NF Carriage Assembly and End Weight Components



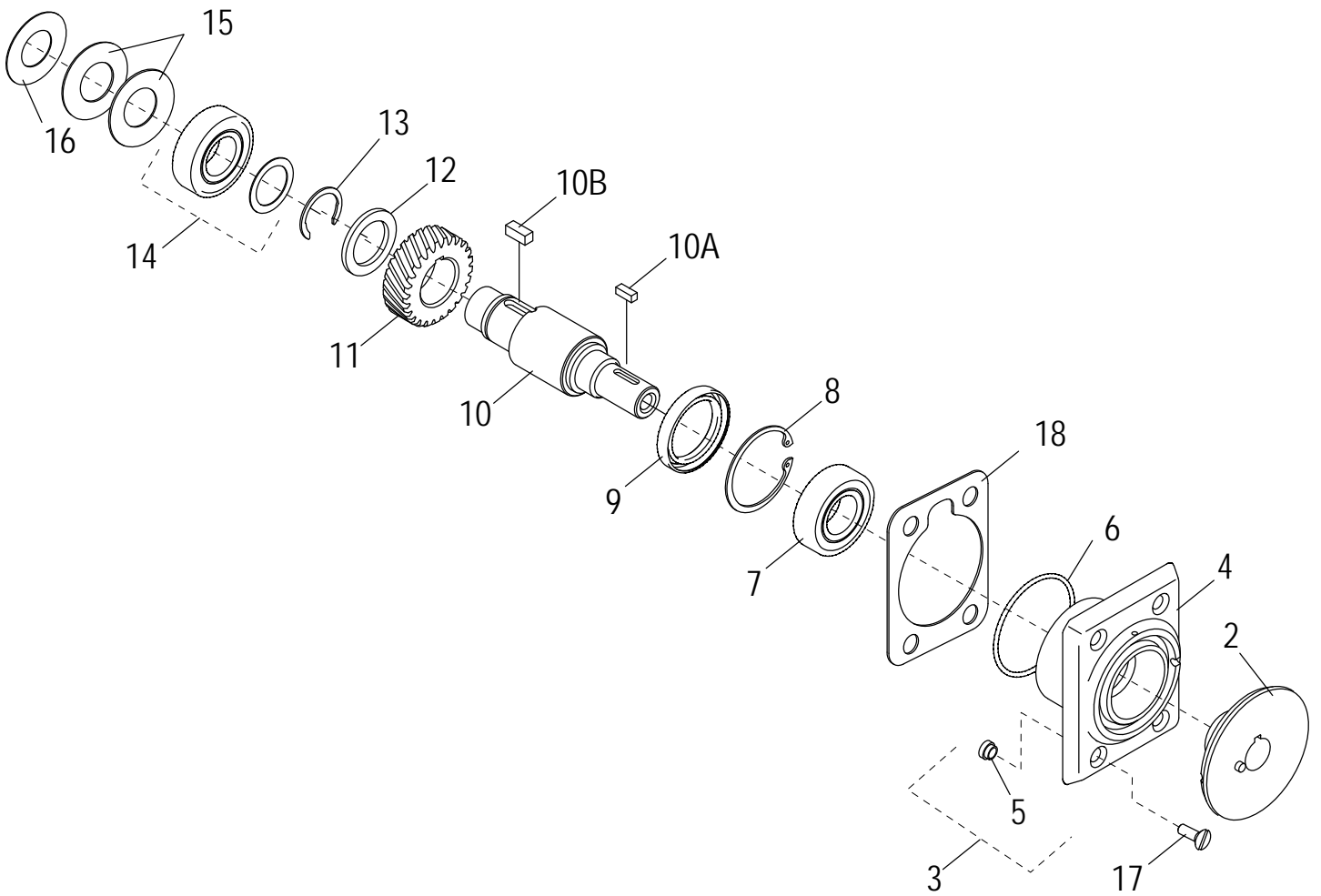


## 4600NF Carriage Assembly and End Weight Components

Item	Part Number	Description	Qty	Serial Number
1	330011-02	SS Carriage Assembly, Short - 12" (Incls. items 2-19)	1	
2	330115-02	SS Carriage Weldment, Short - 12"	1	
3	450025-02	End Weight Rod, Short 12" Carriage Assy	1	4600N00100 ->
4	510028	Rear Gasket, Carriage Support	1	
5	510027	Front Gasket, Carriage Support	1	
6	330055	Carriage Support	1	
7	962-6	Acorn Nut, 1/4-20	4	
8	460050	Lock Back Stud	1	
9	962-7	Acorn Nut, 5/16-18	1	
10	482-B	Hopper Handle	1	
11	699-32	Acorn Nut	1	
12	520312	Carriage Release Knob	1	
13	460047-01	End Weight Assembly, Low Stop (Incls. items 14-19)	1	->4600N00100
13	460047-03	End Weight Assembly, Raised Stop (Incls. items 14-19)	1	4600N00100 ->
14	741-6	Endweight Bearing	2	
15	510012	Endweight Handle	1	
16	741-4A	Side Endweight Bumper, Nylon	1	->4600N00100
16	810396	Side Endweight Bumper, SS	1	4600N00100 ->
17	741-5A	Endweight Bumper, Upper	1	
18	741-5B	Endweight Bumper, Lower	1	
19	810397	End Weight Bumper Glide Pin	1	4600N00100 ->



# 4600NF Knife Motor Bearing Assembly Components





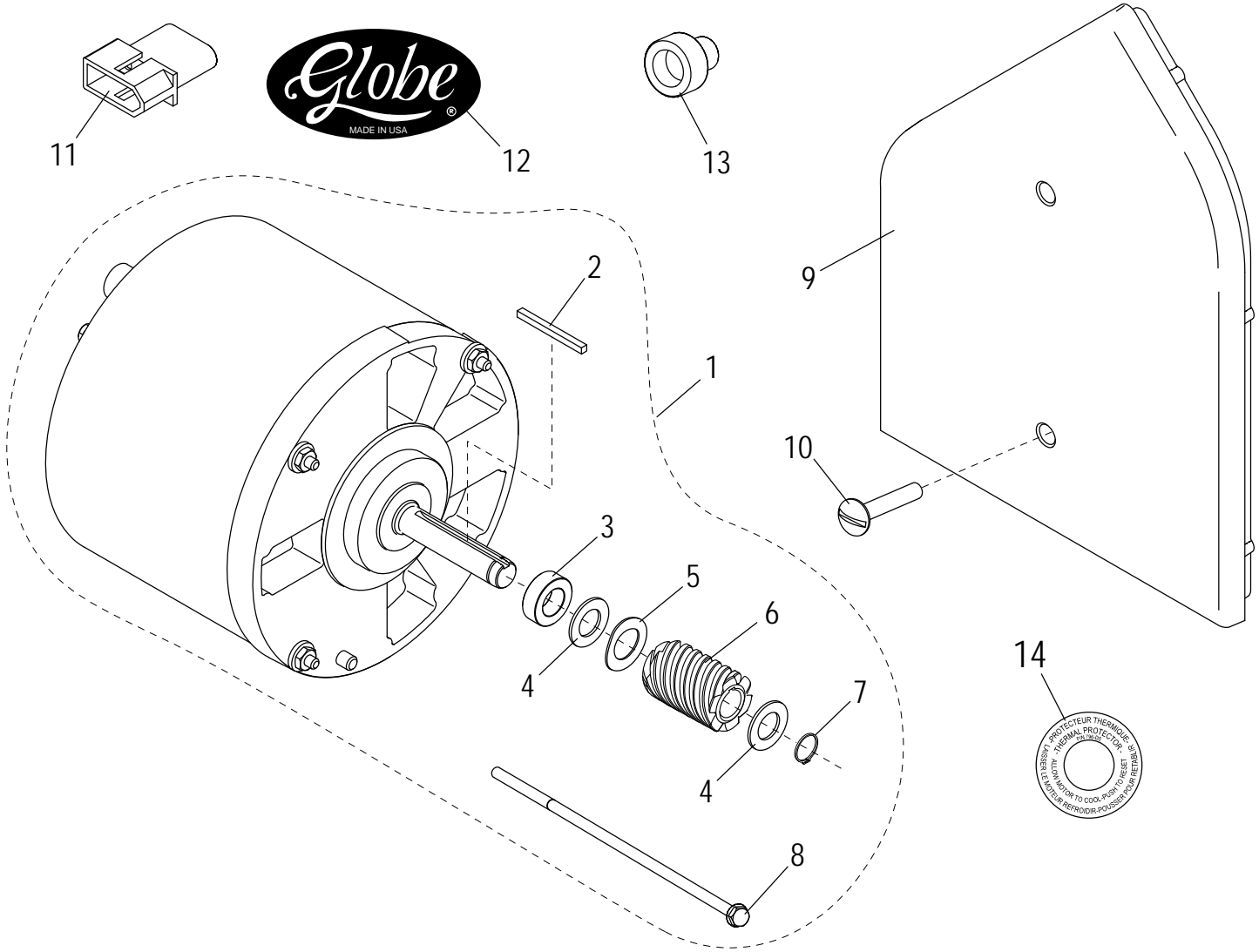


## 4600NF Knife Motor Bearing Assembly Components

Item	Part Number	Description	Qty	Serial Number
1	070065	Knife Bearing Assembly (Incls. items 2-19)	1	
2	070064	Knife Locating Hub Assembly	1	
3	070050	Upper Bearing Retainer Assembly	1	
4	230010	Upper Bearing Retainer	1	
5	1237	Standoff	4	
6	840020	O-Ring	1	
7	820045	Bearing, Sealed	1	
8	1088	Retaining Ring	1	
9	840010	Shaft Seal	1	
10B	1086	Key	1	
10A	1106	Key	1	
10	420080	Knife Shaft	1	
11	1084	Gear, Nylon	1	
11	410030	Gear, Bronze	1	
12	1083	Spacer	1	
13	1087	Retaining Ring	1	
14	800000	Bearing and spacer	1	
15	830010	Bowed Washer (Convex sides of washers touch)	2	
16	820042	Thrust Washer	1	
17	890405	Screw, Flat Head	4	
18	1241	Retainer, Shroud Gasket	1	
19	521-D	Gear Lubricant (5.3 oz. Tube) (Not Shown)	1	



# 4600NF Knife Motor Components





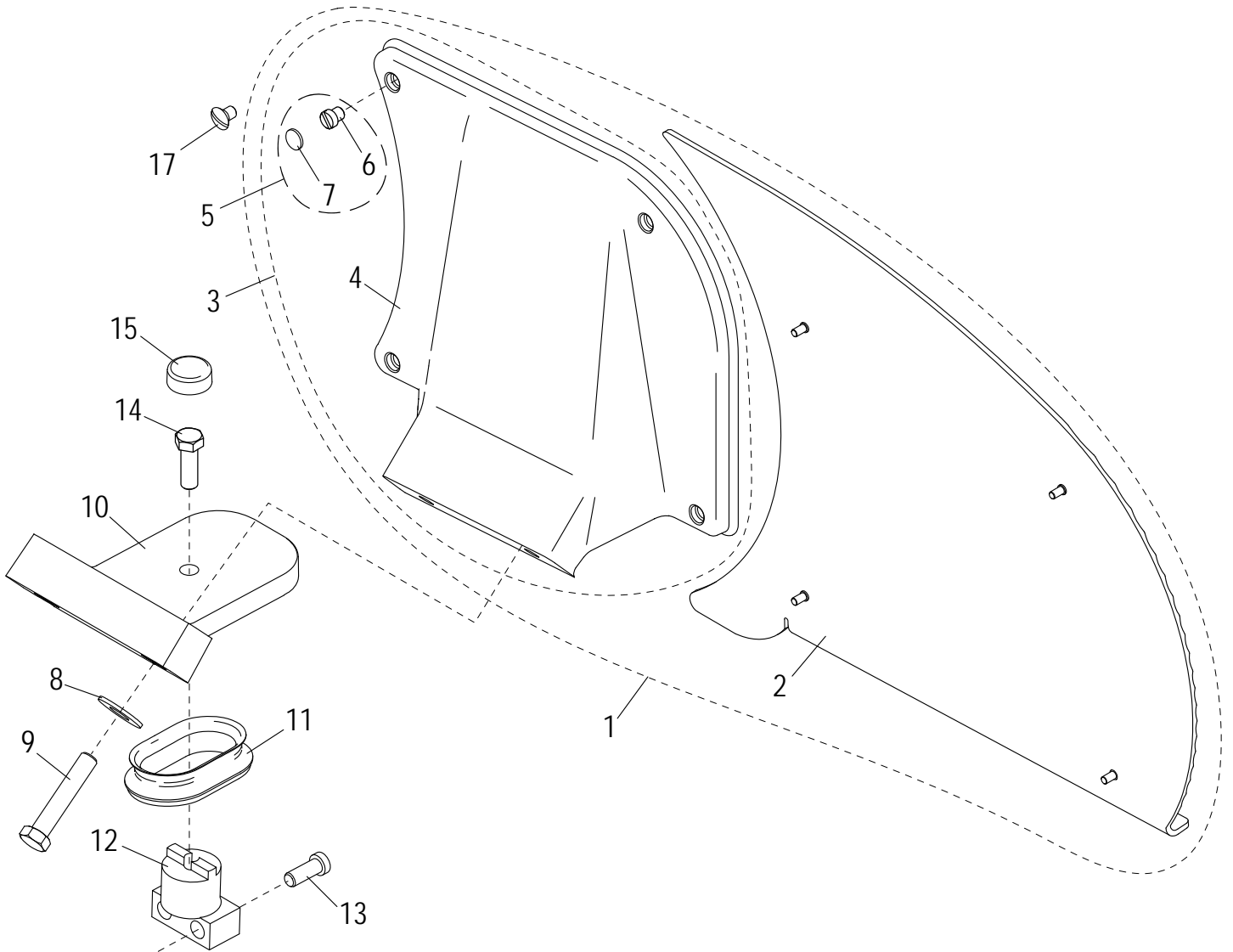
## 4600NF Knife Motor Components

---

Item	Part Number	Description	Qty	Serial Number
1	110040	Knife Motor/Gear Assembly, 115VAC / 60HZ / 1PH (Incls. items 2-8)	1	
1	110041	Knife Motor/Gear Assembly, 115VAC/60HZ/1PH w/Reset (Incls. items 2-8)	1	
2	1372	Key, Square	1	
3	460025	Spacer	1	
4	870070	Flat Washer	2	
5	810	Bowed Washer	1	
6	1059	Worm Gear	1	
7	880051	Snap Ring	1	
8	810330	Motor Screw	4	
9	520010	Motor Cover	1	
9	520011	Motor Cover w/Reset Button Hole (Not Shown)	1	
10	810300	Cover Screw	2	
11	1257	Wire Connector	1	
12	871-2	Globe Logo Decal 3.5"	1	
13	530015	Motor Reset Button Extension	1	
14	796-DS	Motor Reset Button Label	1	



# 4600NF Slicer Gauge Plate Components



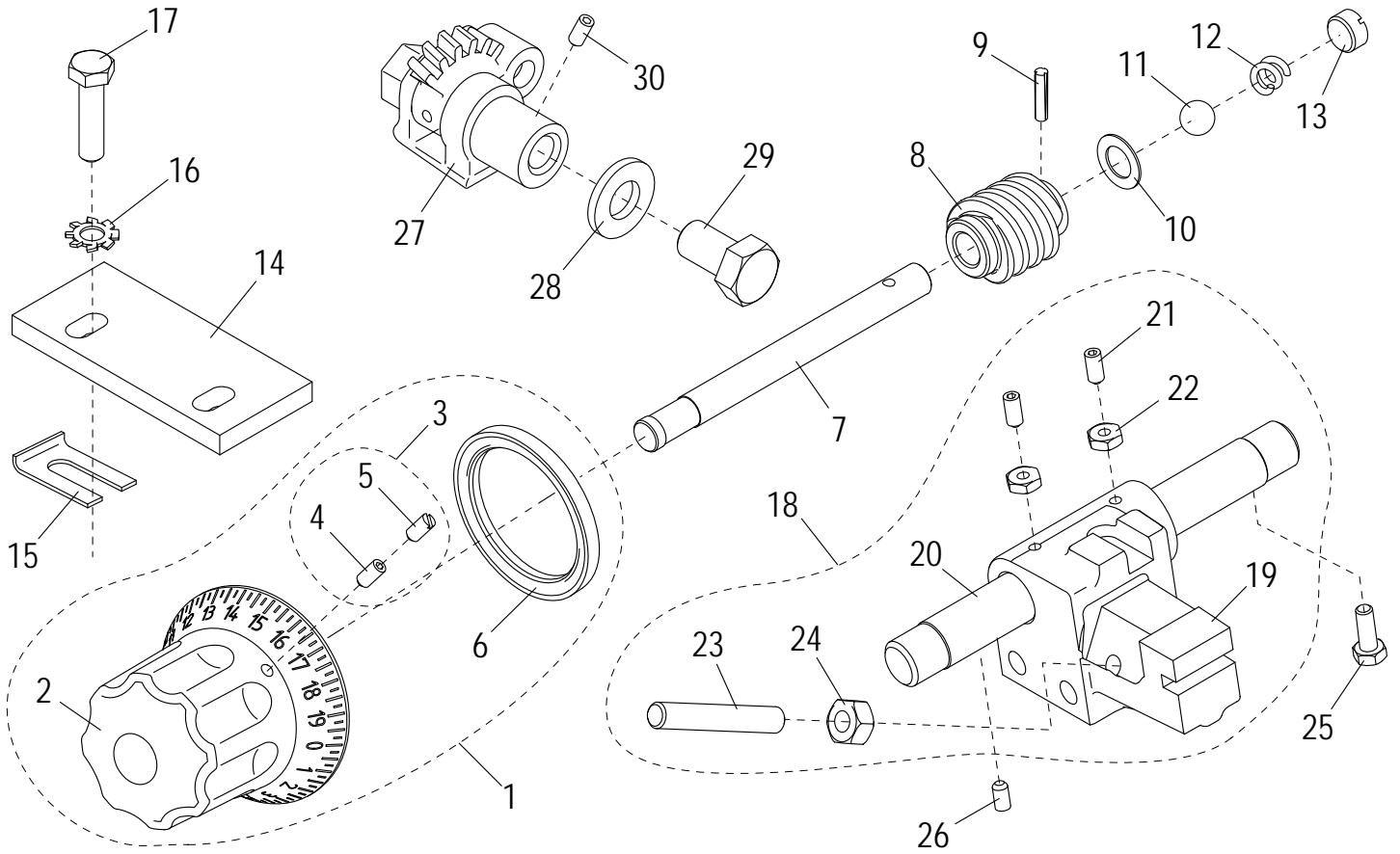


## 4600NF Slicer Gauge Plate Components

Item	Part Number	Description	Qty	Serial Number
1	460017-01	Gauge Plate Assembly, Standard (Incls. items 2-7)	1	
1	460017-02	Gauge Plate Assembly, Quick Clean (Incls. items 2-7)	1	
1	460017-03	Gauge Plate Assembly, Security (Incls. items 4-7)	1	
2	320015	Gauge Plate, Stainless Steel/Standard/Security	1	
2	310101	Gauge Plate, Stainless Steel/Quick Clean	1	
3	140071	Gauge Plate Support Replacement Kit (Incls. items 4-7)	1	
4	210030	Gauge Plate Support	1	
5	140072	Gauge Plate Fastener Kit (Incls. items 6-7)	1	
6	810335	Gauge Plate Screw	4	
7	910180	Gauge Plate Screw Cover	4	
8	870030	Flat Washer, Steel, Fits Screw	2	
9	890408	Screw, Gauge Plate Mounting	2	
10	450027	Gauge Plate Slide Bracket	1	
11	530016	Boot, Gauge Plate Slide	1	
12	450020	Gauge Plate Slide Adapter	1	
13	810388	Screw, Gauge Plate Slide Adapter	2	
14	810387	Screw, Gauge Plate Slide Bracket	1	
15	520314	Screw Cap	1	
16	337-A	Shim Kit (As Reqd) (Not shown)	0	
17	976-1	Gauge Plate Fastener, Old Style 3600N	4	->4600N00020



# 4600NF Gauge Plate Adjustment Components



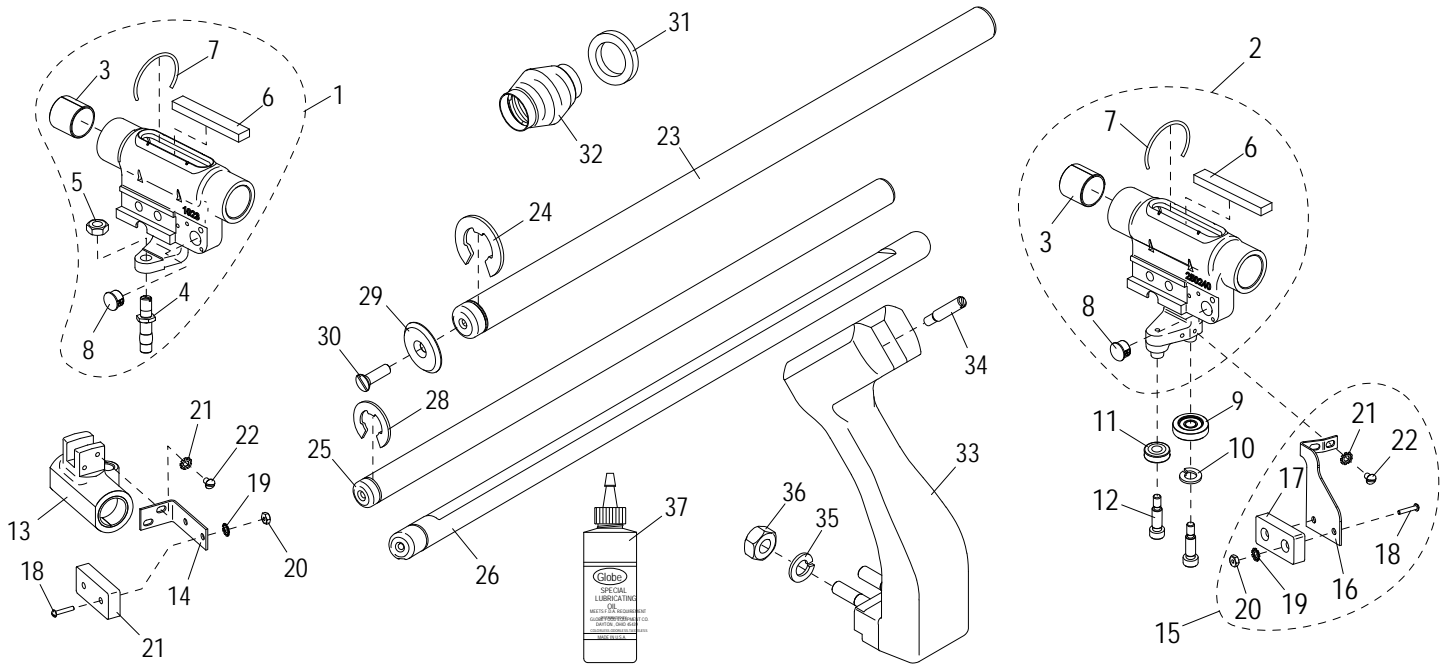


## 4600NF Gauge Plate Adjustment Components

Item	Part Number	Description	Qty	Serial Number
1	520309	Gauge Plate Index Knob Assembly (Incls. items 2-6)	1	
2		Molded Index Knob	1	
3	140073	Index Knob Hardware Kit (Incls. items 4-5)	1	
4		Set Screw, Hex Drive	3	
5		Set Screw, Slotted Drive	3	
6	140074	Seal Kit, Index Dial	1	
7	460051	Shaft, Index Adjustment Knob	1	
8	1147	Worm Gear	1	
9	360	Pin, Worm Gear	1	
10	359	Washer, Worm Gear	1	
11	362	Ball Bearing	1	
12	1200	Tension Spring	1	
13	361-1	Thrust Screw	1	
14	1259	Slide Guide	1	
15	349-A1	Slide Guide Shim Kit (Assorted Thickness)	1	
16	870000	Lock Washer	2	
17	1307	Screw, Hex Head	2	
18	420027-02	Gauge Plate Slide Assembly, Standard (Incls. items 19-24)	1	
18	420027-04	Gauge Plate Slide Assembly, Meatroom (Incls. items 19-24)	1	
19		Gauge Plate Slide	1	
20	1027	Shaft, Gauge Plate Slide, Standard	1	
20	1281	Shaft, Gauge Plate Slide, Meatroom	1	
21	168-1	Set Screw	2	
22	760-5	Nut	2	
23	430000	Stop Screw	1	
24	478-1	Nut, Stop Screw	1	
25	975-1	Screw, Gauge Plate Slide Rod	1	
26	700-3	Set Screw	2	
27	453-AS	Table Adjustment Gear Assembly	1	
28	881-4	Flat Washer	1	
29	335	Screw, Hex Head	1	
30	700-3	Set Screw	1	



# 4000NF Carriage Slide System Components





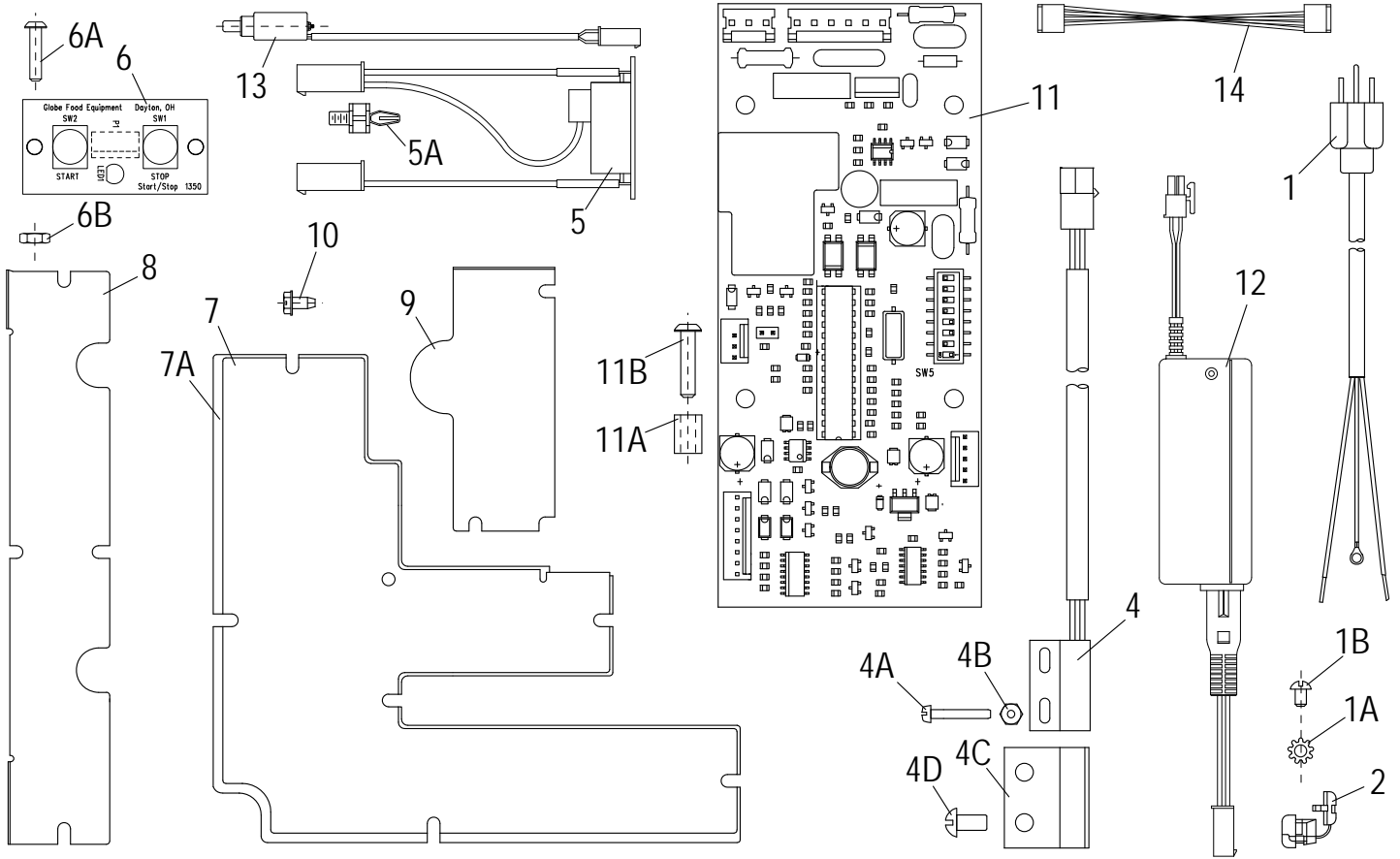


## 4000NF Carriage Slide System Components

Item	Part Number	Description	Qty	Serial Number
1	1278	Upper Slide Assembly (Incls. items 2-8)	0	
2	260070	Upper Slide Assembly - EZ Glide	1	
3	436-7	Slide Bushing	2	
4	241-B	Stud, Slide Rod Bushing	0	
5	228	Nut	0	
6	436-3	Felt, Oil	1	
7	436-4	Spring Clip	1	
8	850-3	Hole Plug	1	
9	520200	Bearing	1	
10	890190	Lock Washer	1	
11	520210	Roller, Slide	1	
12	810370	Bolt, Shoulder	2	
13	1342	Lower Slide Bushing	0	
14	1341	Bracket, Magnet Mounting	0	
15	140063	Kit, EZ Glide Interlock Magnet (Incls. items 16-22)	1	
16	330110	Bracket, Magnet Mounting - EZ Glide	1	
17	985-1	Magnet, Interlock	1	
18	854-2	Screw #4-40x5/8" Round Hd	2	
19	854-7	Lock Washer, External Tooth	2	
20	854-3	Hex #4-40 Nut	2	
21	854-7	Lock Washer, External Tooth	2	
22	854-6	Screw	2	
23	420050	Upper Slide Rod	1	
24	857-1	Upper Rod Retaining Clip	1	
25	420060	Lower Slide Rod	0	
26	400070	Roller Slide Bar, Lower (EZ Glide System)	1	
27	810380	Set Screw (Not Shown)	1	
28	858-1	Lower Bar Retaining Clip	1	
29	859	Slide Bar Washer	2	
30	859-1	Screw	2	
31	436-1	Slide Bumper	1	
32	919-4	Spring, Sleeved - Upper Slide Rod	1	
33	210026	Carriage Receiver Assembly	1	
34	460039	Sharpener Handle Pivot	1	
35	245-A	Lock Washer	2	
36	478-2	Nut	2	
37	519	Lubricating Oil	1	



# 4600NF Electrical System Components



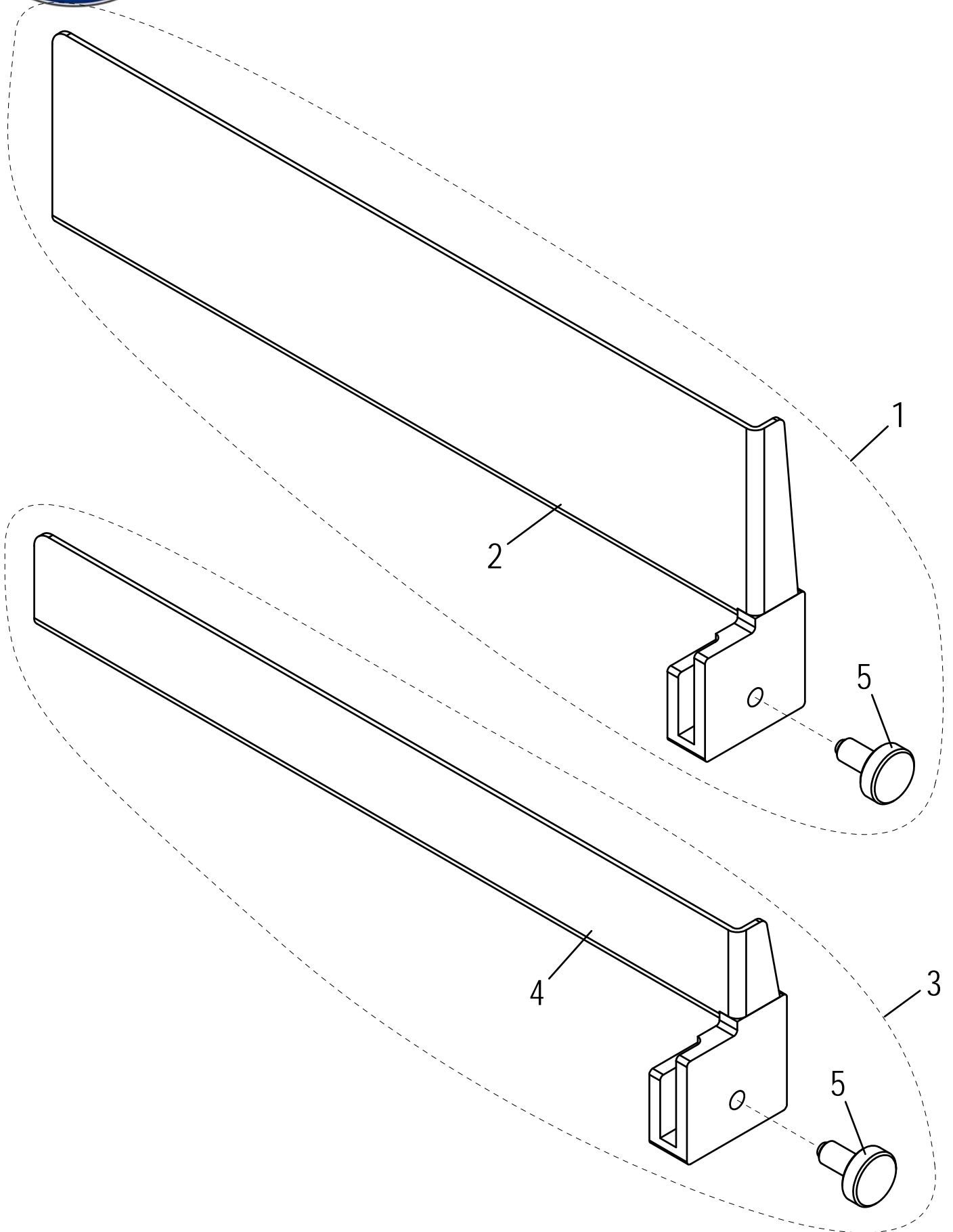


## 4600NF Electrical System Components

Item	Part Number	Description	Qty	Serial Number
1	130205	Power Cord, 115V Slicer	1	
1A	854-7	Lock Washer, External Tooth	1	
1B	890409	Ground Screw (Green)	1	
2	877	Strain Relief	1	
3	130121	Wire Harness, 110VAC (Not shown)	1	
4	130020	Proximity Switch (Home, Timer & Knife Guard)	3	
4A	995-31	Screw, Switch Mounting	4	
4B	854-3	Hex #4-40 Nut	4	
4C	1133	Bracket, Switch Mounting - Knife Guard	1	
4D	1223	Screw, Brass	2	
5	130050	Motor Start Switch Assembly, Solid State, 110VAC	1	
5A	1250	Stand-Off, Motor Start Switch	2	
6	1350	Circuit Board, Start/Stop	1	
6A	1218	Screw, Circuit Board Mounting	2	
6B	765-5	Nut, Circuit Board Mounting	2	
7	320020	Wireway Cover	1	
7A	1192	Gasket	1	
8	1136	Wireway Cover #2	1	
9	1137	Wireway Cover #3	1	
10	889	Screw	14	
11	120033	Circuit Board/Logic	1	
11A	1216	Stand-Off, Circuit Board Mounting	4	
11B	1218	Screw, Circuit Board Mounting	4	
12	130060	Power Supply, 24V	1	
13	130090	Solenoid Assembly, Gauge Plate Lock-Out	1	
14	1377	Jumper Cable	1	



**4600NF Carriage Fence Accessories**





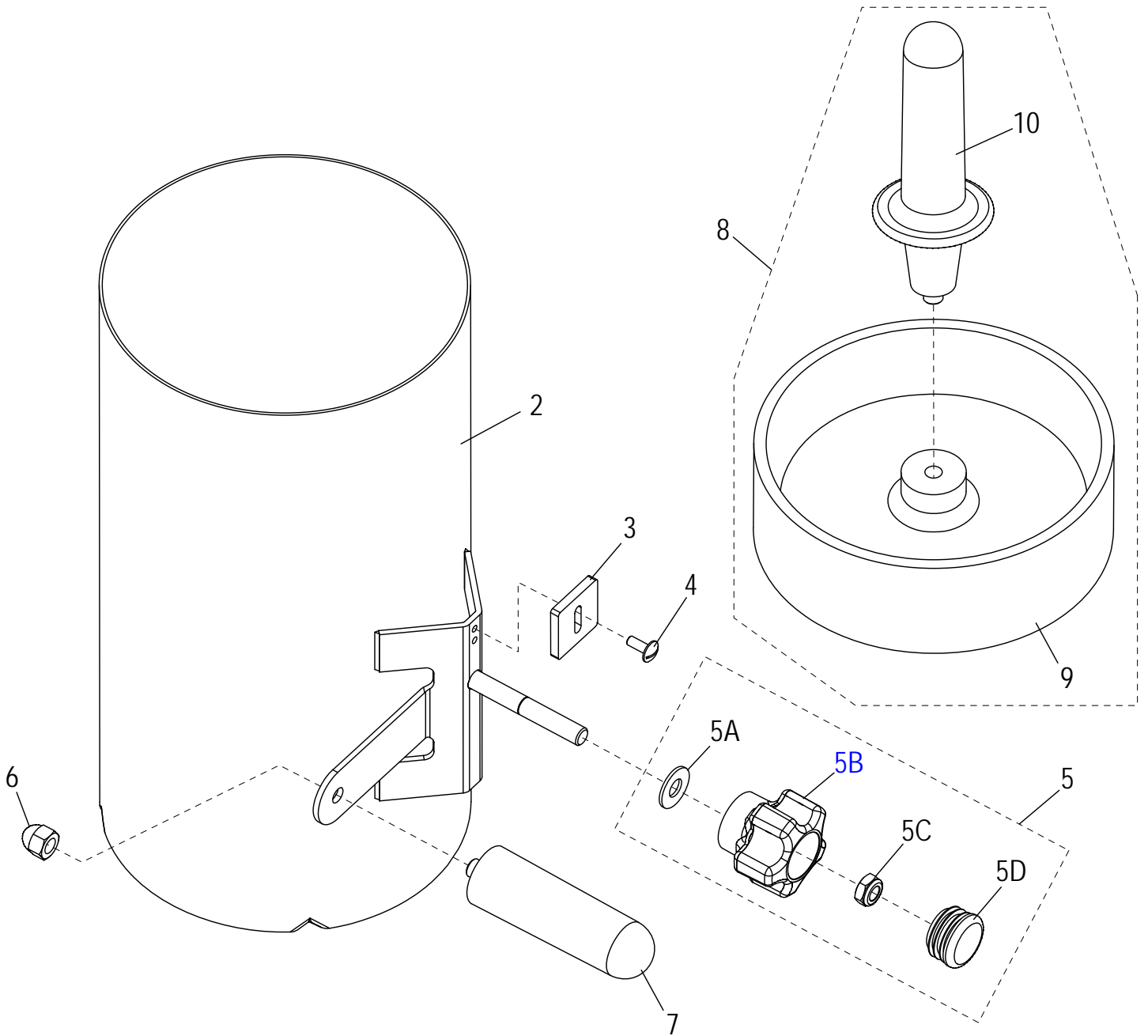
## 4600NF Carriage Fence Accessories

---

Item	Part Number	Description	Qty	Serial Number
1	<a href="#">1326</a>	Fence Assembly, 12" X 3" (Incls. items 2 & 5)	1	
2	<a href="#">1048</a>	Fence, 12" X 3"	1	
3	<a href="#">1047</a>	Fence Assembly, 12" X 1-3/8" (Incls. items 4-5)	1	
4	1051	Fence, 12" X 1-3/8"	1	
5	<a href="#">1052</a>	Clamp Thumb Screw	1	



# 4600NF Vegetable Hopper Assembly



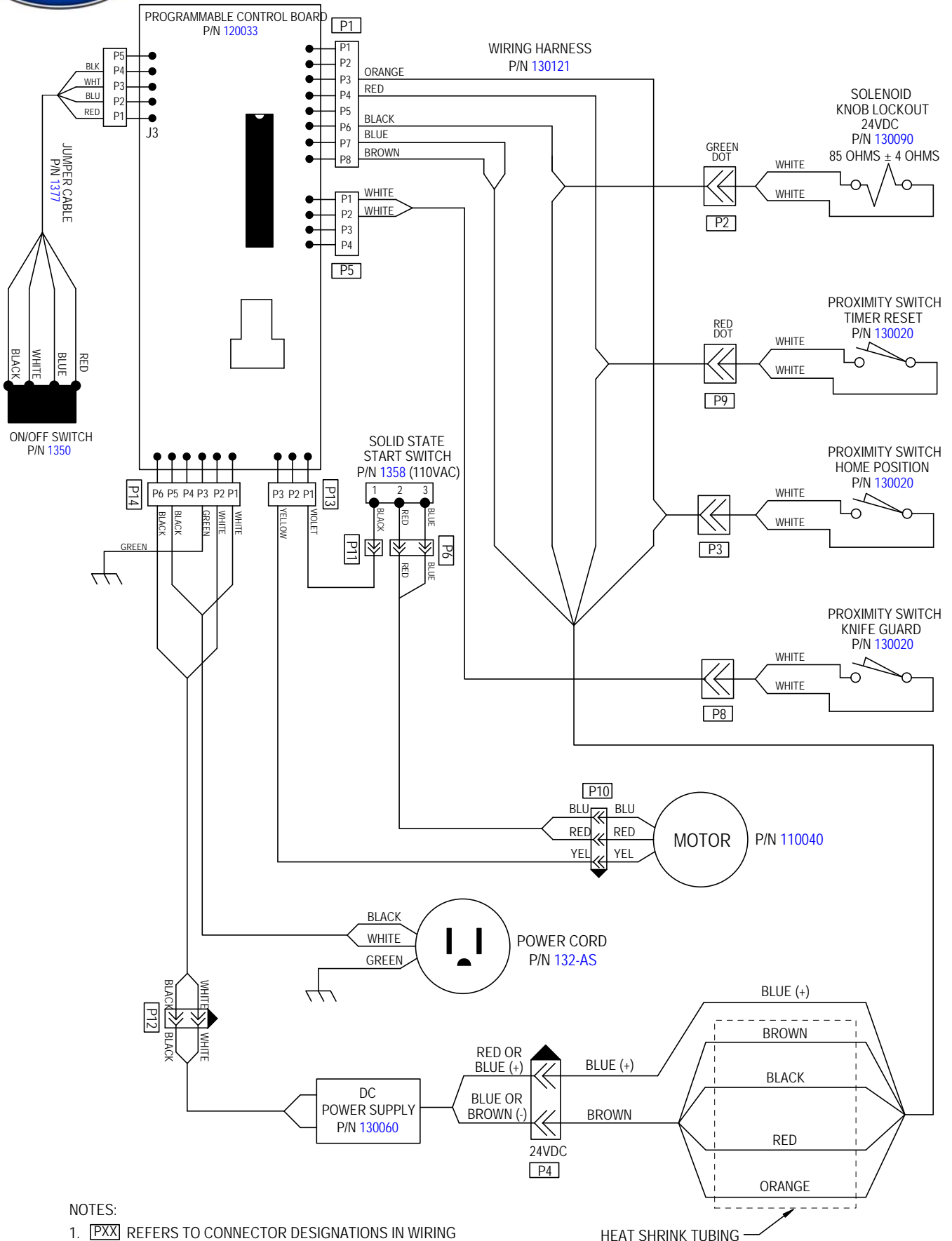


## 4600NF Vegetable Hopper Assembly

Item	Part Number	Description	Qty	Serial Number
1	699-BAS	Vegetable Hopper Assembly	1	
2	030041	Hopper Body with Support and Stud	1	
3	699-33	Hopper Stop	1	
4	900-1	Screw, Truss Hd	1	
5	510011	Hopper Support Knob Assy. (Incls. items 5A-5D)	1	
5A		Washer M14, Flat	1	
5B		Knob	1	
5C		Nut, Nylon Insert	1	
5D	840002	Cap	1	
6	699-32	Acorn Nut	1	
7	482-B	Hopper Handle	1	
8	699-16	Hopper End Weight Assy. (Incls. items 9-10)	1	
9	699-17	Hopper End Weight	1	
10	741-SS3	Hopper End Weight Handle	1	



# 4600NF Manaul Slicer Schematic



**NOTES:**

1. [PXX] REFERS TO CONNECTOR DESIGNATIONS IN WIRING HARNESS. SEE DRAWING NUMBER 130121.