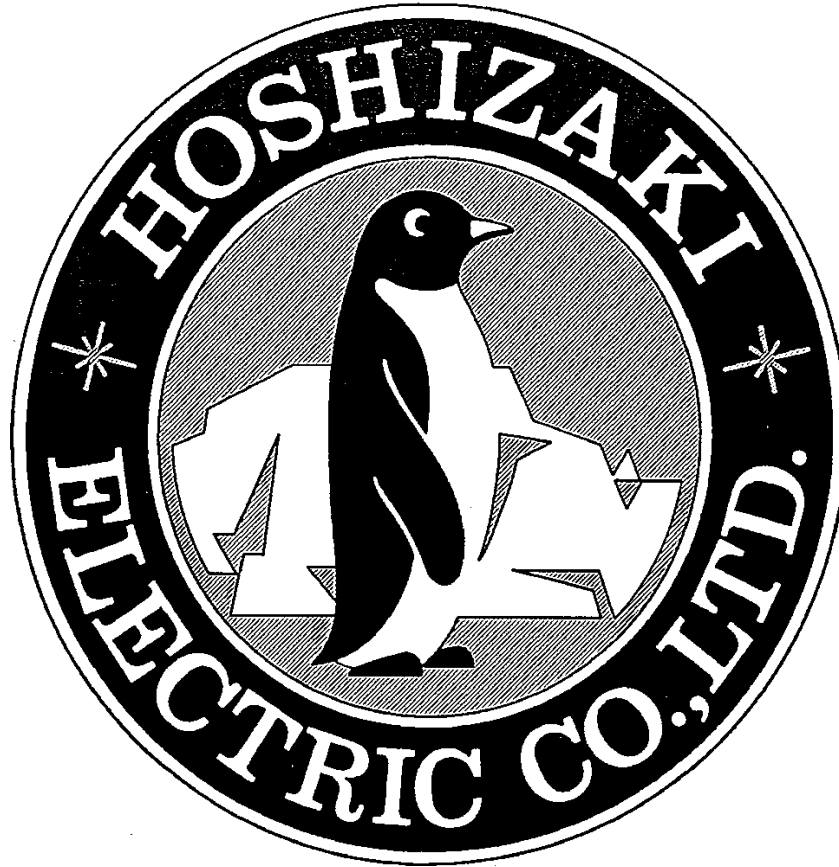


NO. 17EC-2633/71235

ISSUED: JAN.2004

REVISED: DEC.2004



**HOSHIZAKI
SELF-CONTAINED CUBER
(OPEN CELL TYPE)**

MODEL AM-150BWF

PARTS LIST
(HA)

N-1 DEC. 2003
P-1 MAY. 2004
P-2 JUL. 2004

MATERIAL ABBREVIATIONS

ALUMINUM

AL = Aluminum

COPPER

CU = Copper

PLASTIC

ABS = Acrylonitrile -butadiene - styrene
AC = Polyacetal
EVA = Ethylene vinyl acetate
PA = Polyamide = Nylon
PC = Polycarbonate
PE = Polyethylene
PES = Polyester
PETP = Polyethylene terephthalate = Tetlon
PP = Polypropylene
PS = Polystyrene
PTFE = Polytetrafluoroethylene = Teflon
PUR = Polyurethane
PVC = Polyvinyl chloride

RUBBER

VN = Vinyl Nitrile
EPDM = EP rubber
NBR = Nitrile butadiene rubber
NR = Natural rubber
NP = Neoprene
SI.R = Silicone rubber
SY.R = Synthetic rubber
EPH = Epichlorohydrin

STEEL

GS = Galvanized steel
SS = Stainless steel
PS = Plated steel
PAS = Primed steel

AUXILIARY CODE

K-0

Designates the year. "K" indicates the year 2000. Years progress or regress in alphabetical order. "J" is 1999, "L" is 2001, "M" is 2002, and so on. The letters "I" and "O" were skipped.

Designates significant part changes within the same year. Base is 0 and this number advances for each change.

Example: P-1

"P" indicates 2004.

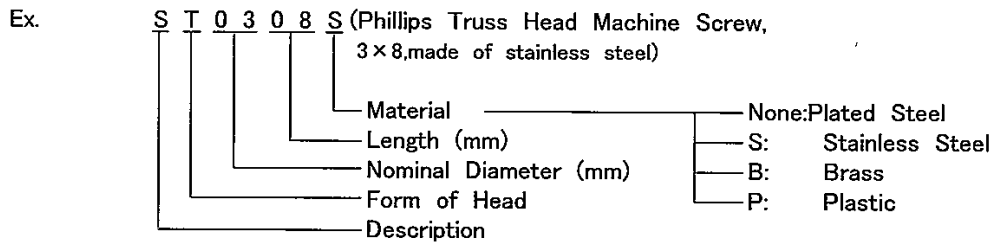
"1" indicates the first significant part change for 2004.

MARKS LOCATED UNDER THE AUXILIARY CODE

- = Part deleted.
- x = Part deleted and replaced by "o" part.
- o = New part in place of "x" part.

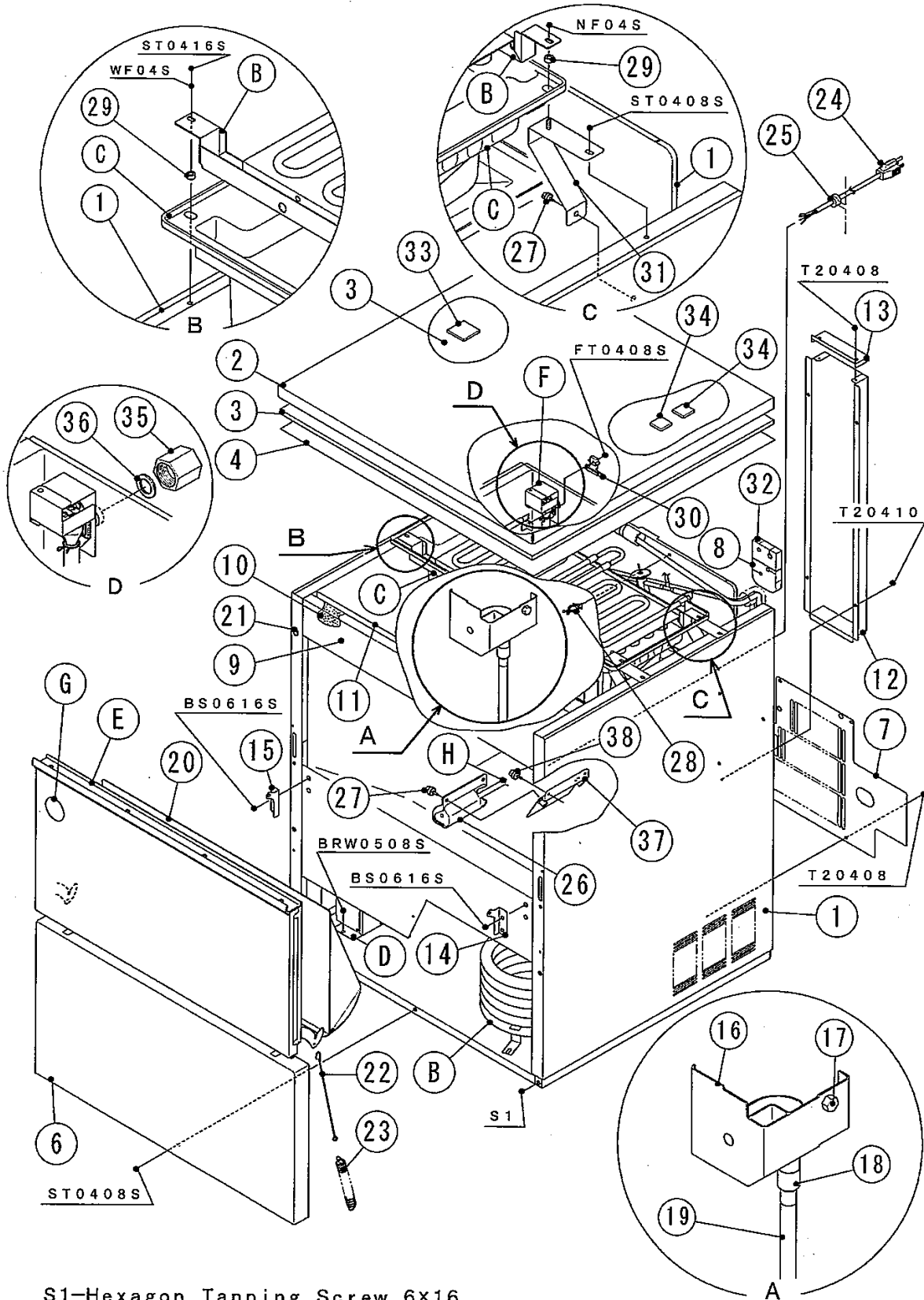
FASTENER ABBREVIATION LIST

ST	=	Phillips Truss Head Machine Screw
SP	=	Phillips Pan Head Machine Screw
SF	=	Phillips Flat Head Machine Screw
SS	=	Phillips Pan Head Machine Screw with Split Lock Washer
SW	=	Phillips Pan Head Machine Screw with Split Lock Washer and Flat Washer
T1	=	Phillips Truss Head Tapping Screw (Correspond to Type A)
T2	=	Phillips Truss Head Tapping Screw (Correspond to Type B)
T3	=	Phillips Truss Head Tapping Screw (Correspond to Type C)
FT	=	Phillips Truss Head Tapping Screw (Special)
BH	=	Hexagon Head Bolt
BC	=	Socket Head Cap Screw
BS	=	Hexagon Bolt with Split Washer
BW	=	Hexagon Bolt with Split Washer and Flat Washer
BF	=	Hexagon Flange Bolt
BR	=	Cross-Recessed Hexagon Head Bolt
BRW	=	Cross-Recessed Hexagon Head Bolt with Split Lock Washer and Flat Washer
WL	=	Split Lock Washer
WT	=	External Tooth Washer
WF	=	Flat Washer
WS	=	Spring Washer
NH	=	Hexagon Nut
NF	=	Hexagon Flange Nut
NC	=	Hexagon Cap Nut
NS	=	Square Nut
NW	=	Wing Nut



(Note) Second character is numerical except the list.
 Ex: S1,S2,B3 etc.

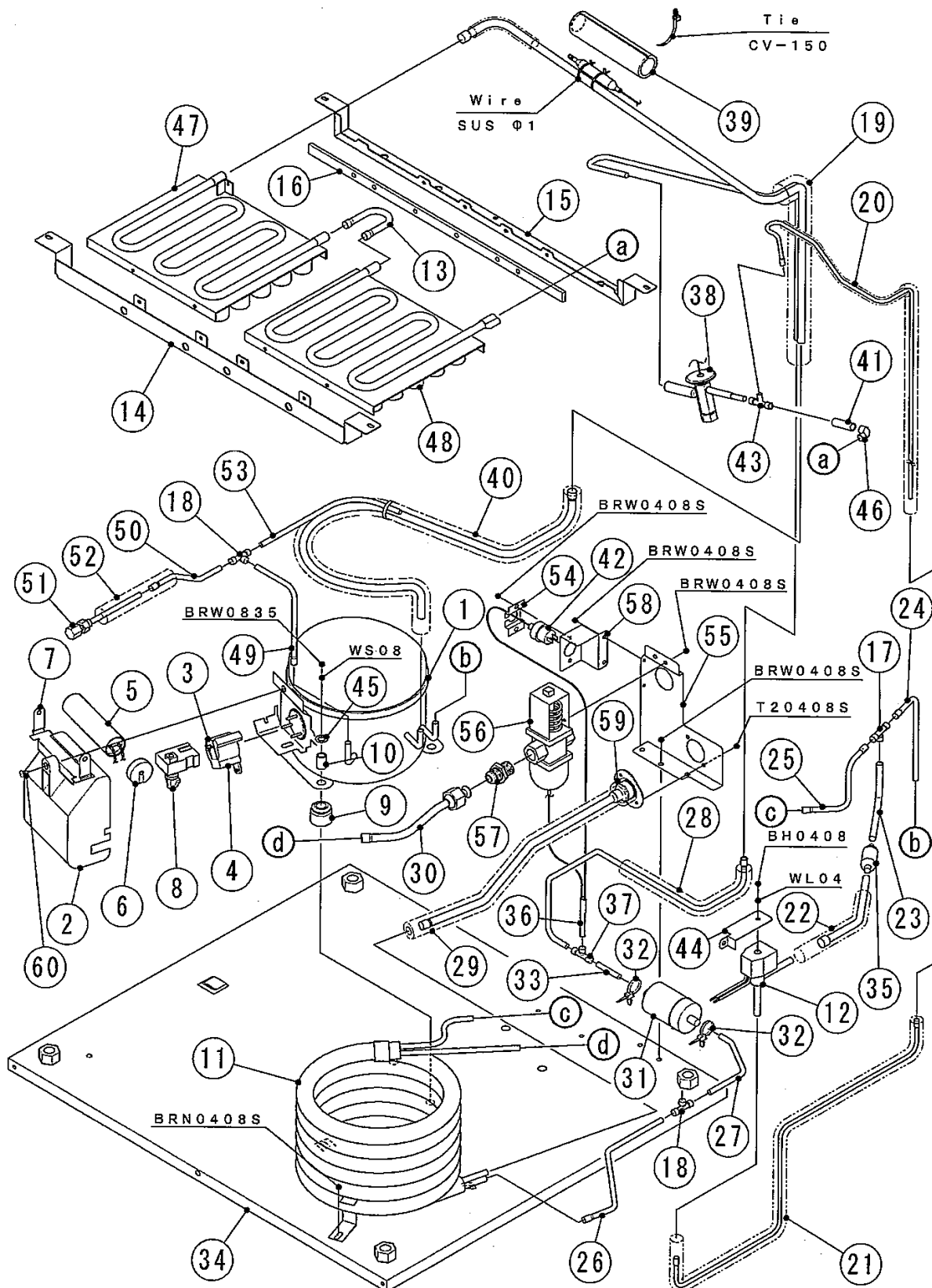
And abbreviations and names are shown under the illustration.



S1-Hexagon Tapping Screw, 6X16

HA

MODEL : AM-150BWF				TITLE : A. ICE CUBER ASSY			
INDEX NO.	DESCRIPTION	MATERIAL OR MODEL NUMBER	PART NUMBER	REQ'D NUMBER			
				N-1	P-1	P-2	
B	REFRIGERATION ASSY	-	1H2960A01	1	-		
		-	1H2960A02		1	1	
C	ICE MAKING MECHANISM ASSY	-	1H2809A02	1	1	1	
D	CONTROL BOX ASSY	-	2H5919A02	1	1	1	
E	DOOR ASSY	-	3X7242A01	1	1	1	
F	WATER CIRCUIT ASSY	-	3X7235A03	1	1	1	
G	LABEL LOCATION	-	3X8466A01	1	1	1	
H	THERMOSTAT ASSY	-	3X7346A02	1	1	1	
1	UNIT FRAME	-	1H2786G03	1	1	1	
2	TOP PANEL	S.S	2H5925G01	1	1	-	
		S.S	2H6682-01			1	
3	INSULATION - TOP PANEL	STYROL	4Y0775-01	1	1	1	
4	COVER - TOP PANEL	ABS	2H6652-01	1	1	1	
5	-	-	-				
6	FRONT PANEL - LOWER	S.S	2H6424-01	1	1	1	
7	REAR PANEL	G.S	3X8447-01	1	1	1	
8	INSULATION(A)	PE	4Y1359-01	1	1	1	
9	FRONT FRAME	S.S	3X7244-02	1	1	-	
		S.S	3X7244-03			1	
10	INSULATION - FRONT FRAME	PE	4Y0792-02	1	1	1	
11	COVER - FRONT FRAME	ABS	4Y0777-02	1	1	1	
12	COVER - PIPE	G.S	3X7127-01	1	1	1	
13	COVER - TOP	G.S	4Y0774-01	1	1	1	
14	HINGE (R)	S.S	4H2583-01	1	1	1	
15	HINGE (L)	S.S	4H2584-01	1	1	1	
16	DRAIN PAN	ABS	2H4534-01	1	1	1	
17	THUMB SCREW	ABS,S.S	415949G08	1	1	1	
18	DRAIN JOINT HOSE	SI.R	4H2585-01	1	1	1	
19	DRAIN HOSE	PVC	4Y0896-01	1	1	1	
20	SLOPE	ABS	3X7135G01	1	1	1	
21	TAPER COLLAR	S.S	4H0171-01	2	2	2	
22	HOOK	S.S	4Y0884-01	1	1	1	
23	SPRING	ZINC-PLATED WIRE	4H0823-01	1	1	1	



HA

MODEL : AM-150BWF			TITLE : B. REFRIGERATION ASSY				
INDEX NO.	DESCRIPTION	MATERIAL OR MODEL NUMBER	PART NUMBER	REQ'D NUMBER			
				N-1	P-1	P-2	
1	COMPRESSOR	ASE24C3E-1AA	4Y0903-01	1	-		
			4A2272-02		1	1	
2	COVER	-	4Y0903F01	1	-		
		-	4A2272F01		1	1	
3	PROTECTOR RETAINER	-	4Y0903F02	1	-		
		-	4A2272F02		1	1	
4	PROTECTOR	-	4A2293-01	1	-		
		-	4A2989-01		1	1	
5	STARTING CAPACITOR	-	4Y0897-01	1	-		
		-	4Y2011G01		1	1	
6	CAP - CAPACITOR	-	4Y0904-01	1	1	1	
7	BRACKET - CAPACITOR	-	4Y0898-01	1	1	1	
8	STARTER	-	4A2294-01	1	-		
		-	4A3455-01		1	1	
9	GROMMET	027-C210-03	4A2281-01	4	4	4	
10	SPACER	028-0188-11	4A2500-01	4	4	4	
11	CONDENSER - WATER COOLED	-	204411G01	1	1	1	
12	SOLENOID VALVE	ATS-7S12HD-1	464103-01	1	1	1	
13	COPPER TUBE (A) - JOINT	COPPER	4Y0766-01	1	1	1	
14	BRACKET - EVA(F)	S.S	3X7118-01	1	1	1	
15	BRACKET - EVA(R)	S.S	3X7119-01	1	1	1	
16	RUBBER - EVA	SI.R	4Y0874-01	1	1	1	
17	TEE	COPPER	420041-11	1	1	1	
18	TEE	COPPER	417394-01	2	2	2	
19	HEAT EXCHANGER	COPPER	3X7123G01	1	1	1	
20	COPPER TUBE(A) - HOT GAS	COPPER	3X7120G01	1	1	1	
21	COPPER TUBE(B) - HOT GAS	COPPER	4Y0778G01	1	1	1	
22	COPPER TUBE(C) - HOT GAS	COPPER	4Y0779G01	1	1	1	
23	COPPER TUBE(D) - HOT GAS	COPPER	4Y1820-01	1	1	1	
24	COPPER TUBE(A) - HIGH SIDE	COPPER	4Y1822-01	1	1	1	
25	COPPER TUBE(B) - HIGH SIDE	COPPER	4Y1821-01	1	1	1	
26	COPPER TUBE(C) - HIGH SIDE	COPPER	4Y1819-01	1	1	1	
27	COPPER TUBE(D) - HIGH SIDE	COPPER	4Y1818-01	1	1	1	

HA

MODEL : AM-150BWF				TITLE : B. REFRIGERATION ASSY			
INDEX NO.	DESCRIPTION	MATERIAL OR MODEL NUMBER	PART NUMBER	REQ'D NUMBER			
				N-1	P-1	P-2	
28	COPPER TUBE(F) - HIGH SIDE	COPPER	3X8446G01	1	1	1	
29	COPPER TUBE - FITTING	COPPER	4Y1798G01	1	1	1	
30	COPPER TUBE(B) - WATER	COPPER	4Y1800G01	1	1	1	
31	DRIER	DML 032S	463542-01	1	1	1	
32	TIE	T30RSF	436156-01	2	2	2	
33	COPPER TUBE(B) - JOINT	COPPER	4Y1817-01	1	1	1	
34	BASE	G.S	2H6423G01	1	1	1	
35	STRAINER	COPPER	430365-02	1	1	1	
36	COPPER TUBE - JOINT	COPPER	4H9161-01	1	1	1	
37	TEE	COPPER	420041-16	1	1	1	
38	EXPANSION VALVE	FRE-5NHD-2	4Y0902-01	1	1	1	
39	INSULATION - SILICONE	-	4Y0883-01	1	1	1	
40	COPPER TUBE(A) - SUCTION	COPPER	3X8448G01	1	1	1	
41	COPPER TUBE(G) - HIGH SIDE	COPPER	4Y0787-01	1	1	1	
42	PRESSURE SWITCH	ACB-2UB02	433441-01	1	1	1	
43	TEE	COPPER	420335-01	1	1	1	
44	BRACKET - HOT GAS VALVE	G.S	4Y0947-01	1	1	1	
45	WASHER	-	4H4467-01	4	4	4	
46	ELBOW	COPPER	417395-02	1	1	1	
47	EVAPORATOR(L)	-	3X7101G01	1	1	1	
48	EVAPORATOR(R)	-	3X7099G01	1	1	1	
49	COPPER TUBE (A) - PROCESS	COPPER	4Y1797-01	1	1	1	
50	COPPER TUBE (B) - PROCESS	COPPER	4Y1796-01	1	1	1	
51	ACCESS VALVE	-	457729-01	1	1	1	
52	INSULATION - TUBE	PE	1H2960-69	1	1	1	
53	PROCESS TUBE (B)	COPPER	4Y1795-01	2	2	2	
54	BRACKET - PRESSURE SWITCH	G.S	425506-01	1	1	1	
55	BRACKET - WATER REGULATOR	G.S	3X8433-01	1	1	1	
56	WATER REGULATOR	-	4A0911-06	1	1	1	
57	MALE CONNECTOR	COPPER	4A1284-01	1	1	1	
58	BRACKET - PRESSURE SWITCH	G.S	4Y1786-01	1	1	1	
59	INSULATION - ADAPTOR	PE	4Y1904-01	1	1	1	
60	SCREW	-	4A3358-01	1	1	1	

