



# HOSHIZAKI

## Parts Manual

## Back Bar Equipment

### Models

BB 59 S

BB 69 S

BB 80 S

BB 95 S

BB G 59 S

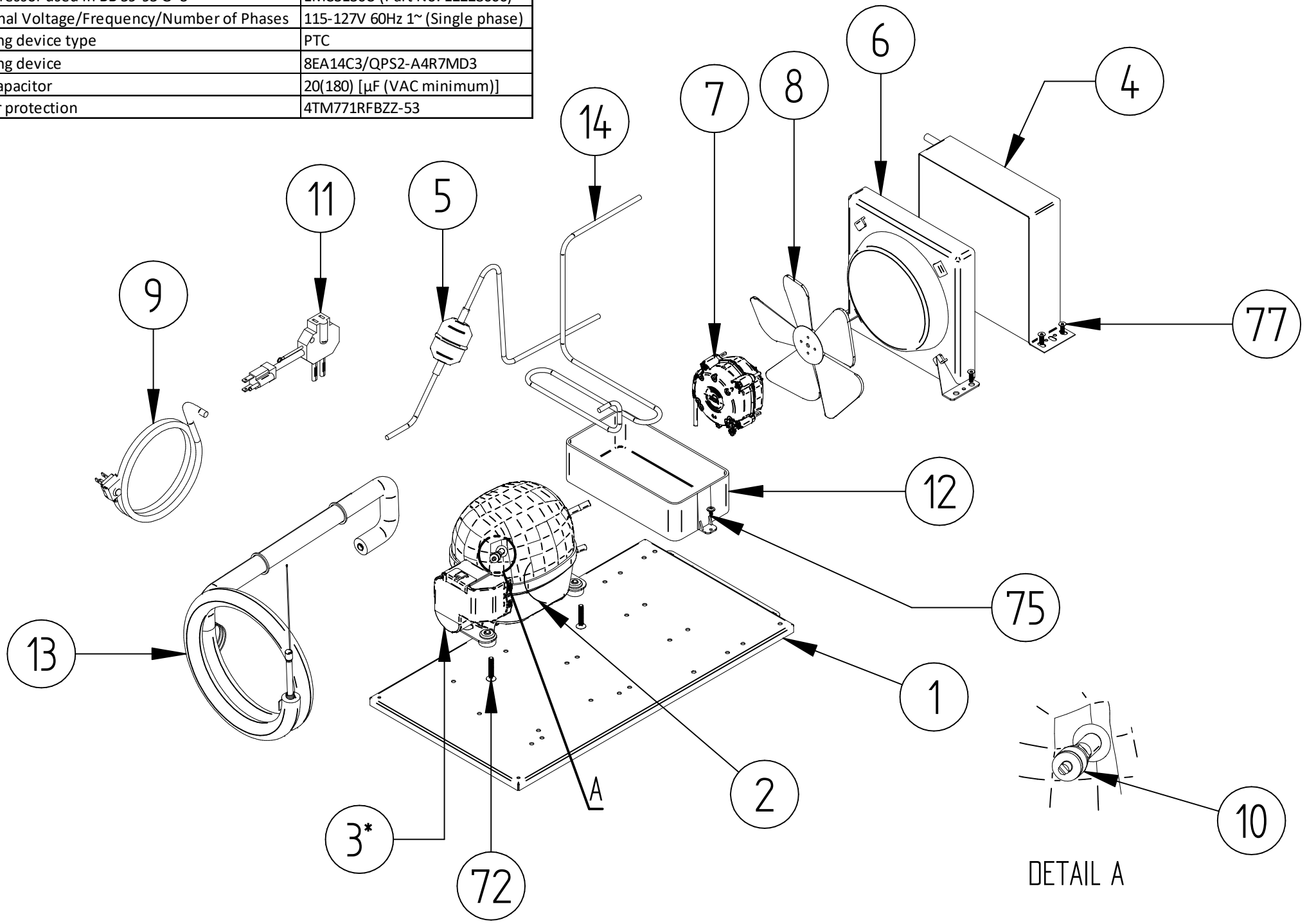
BB G 69 S

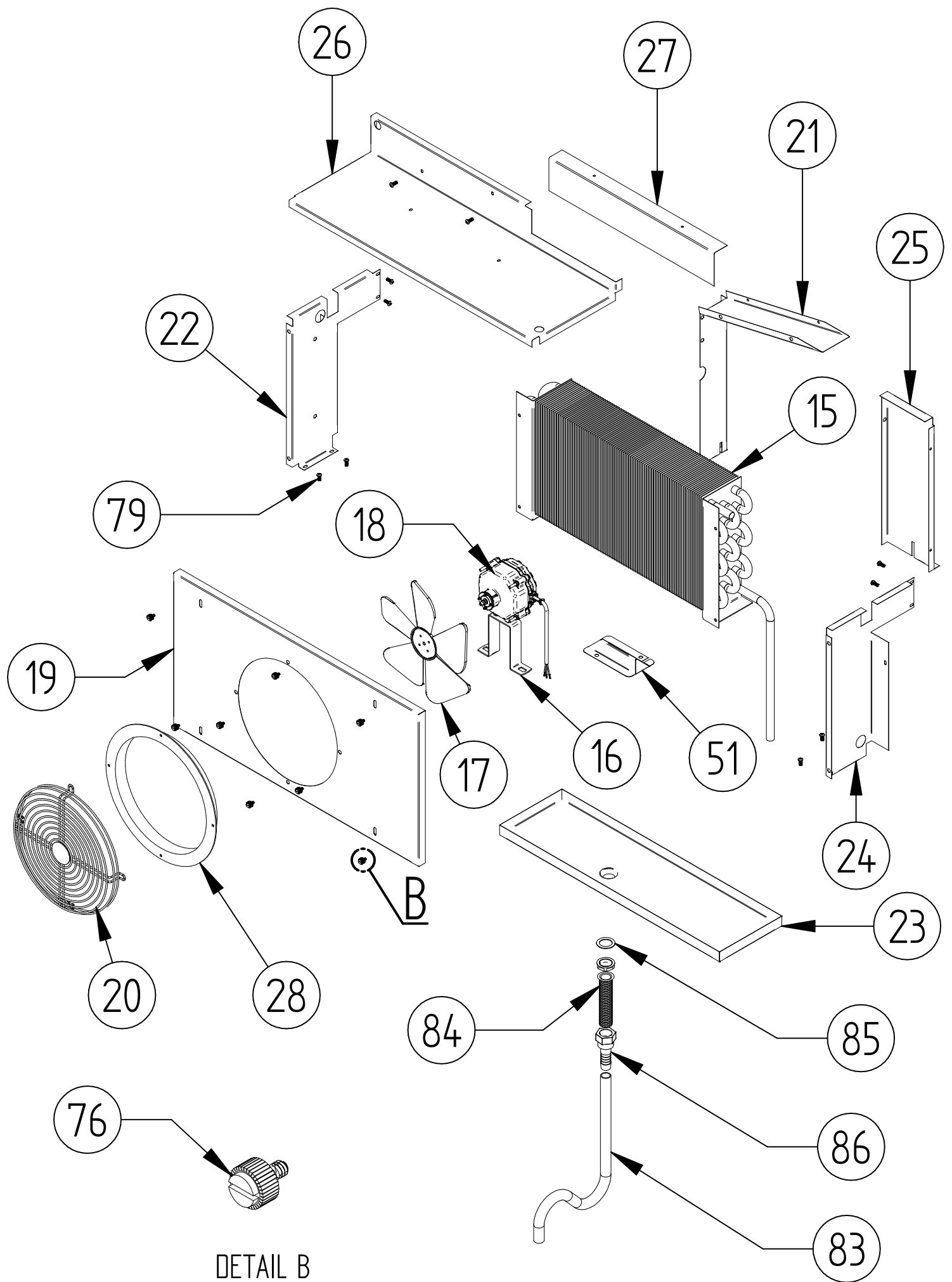
BB G 80 S

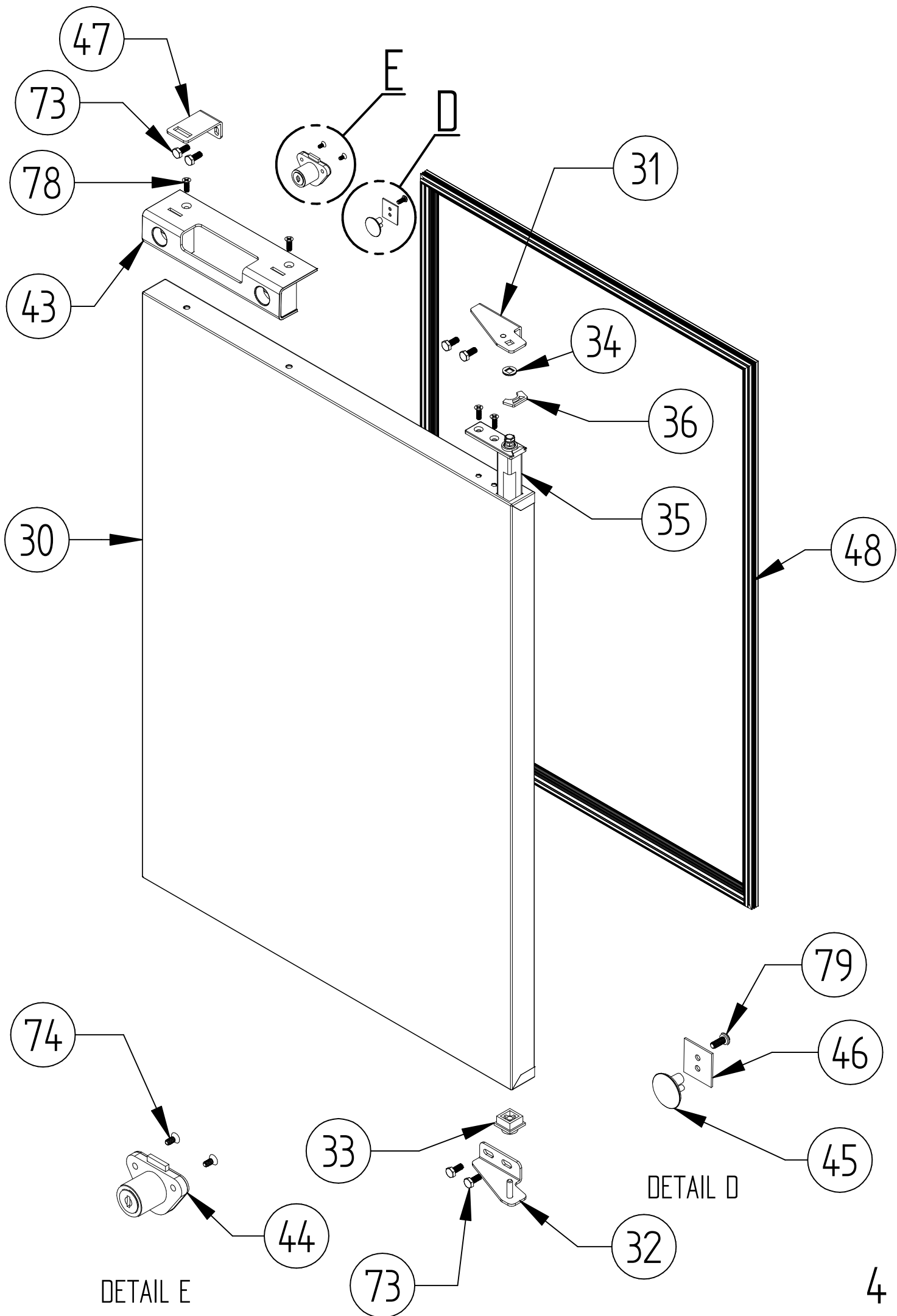
BB G 95 S

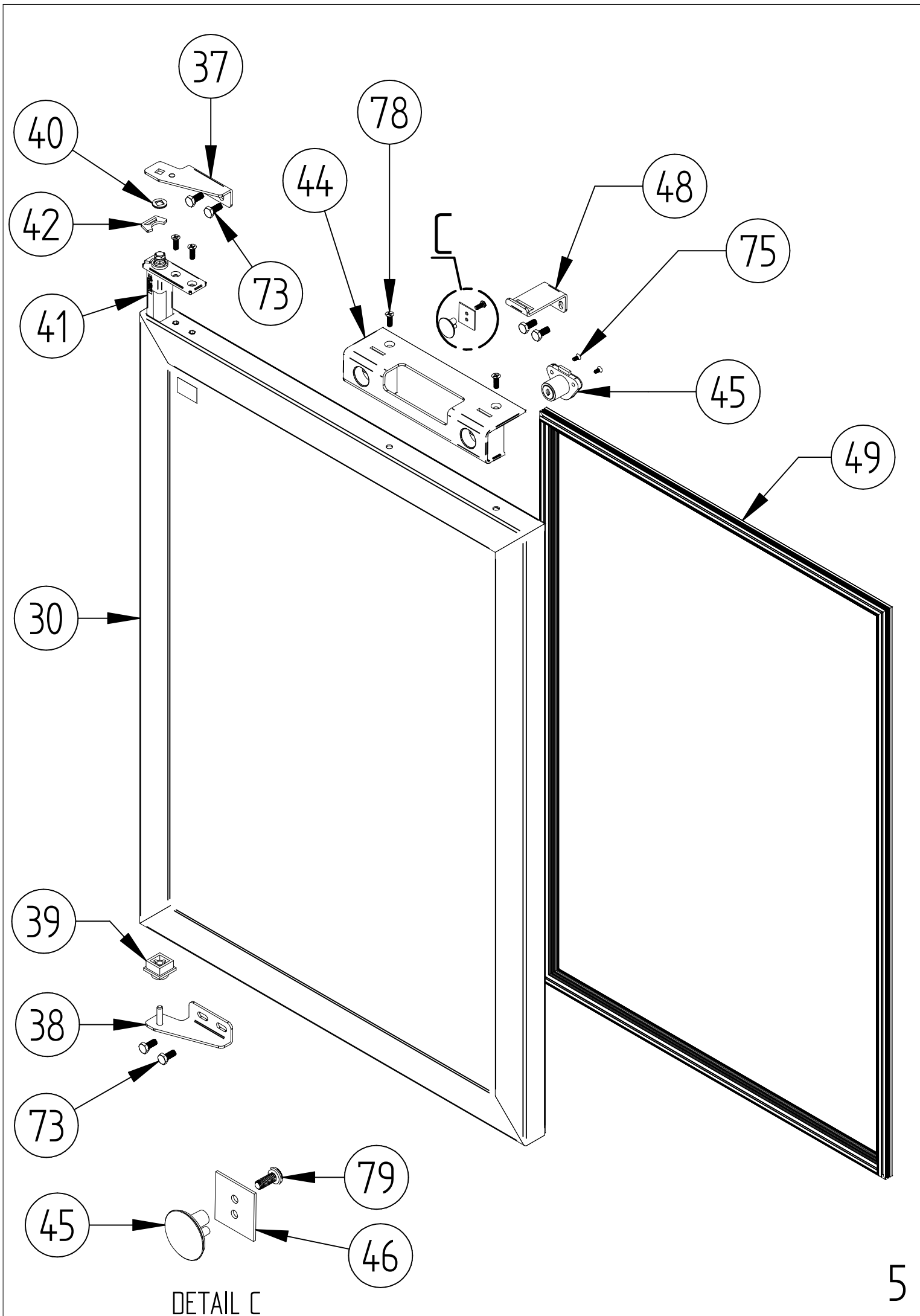
# 3\* STAR KIT

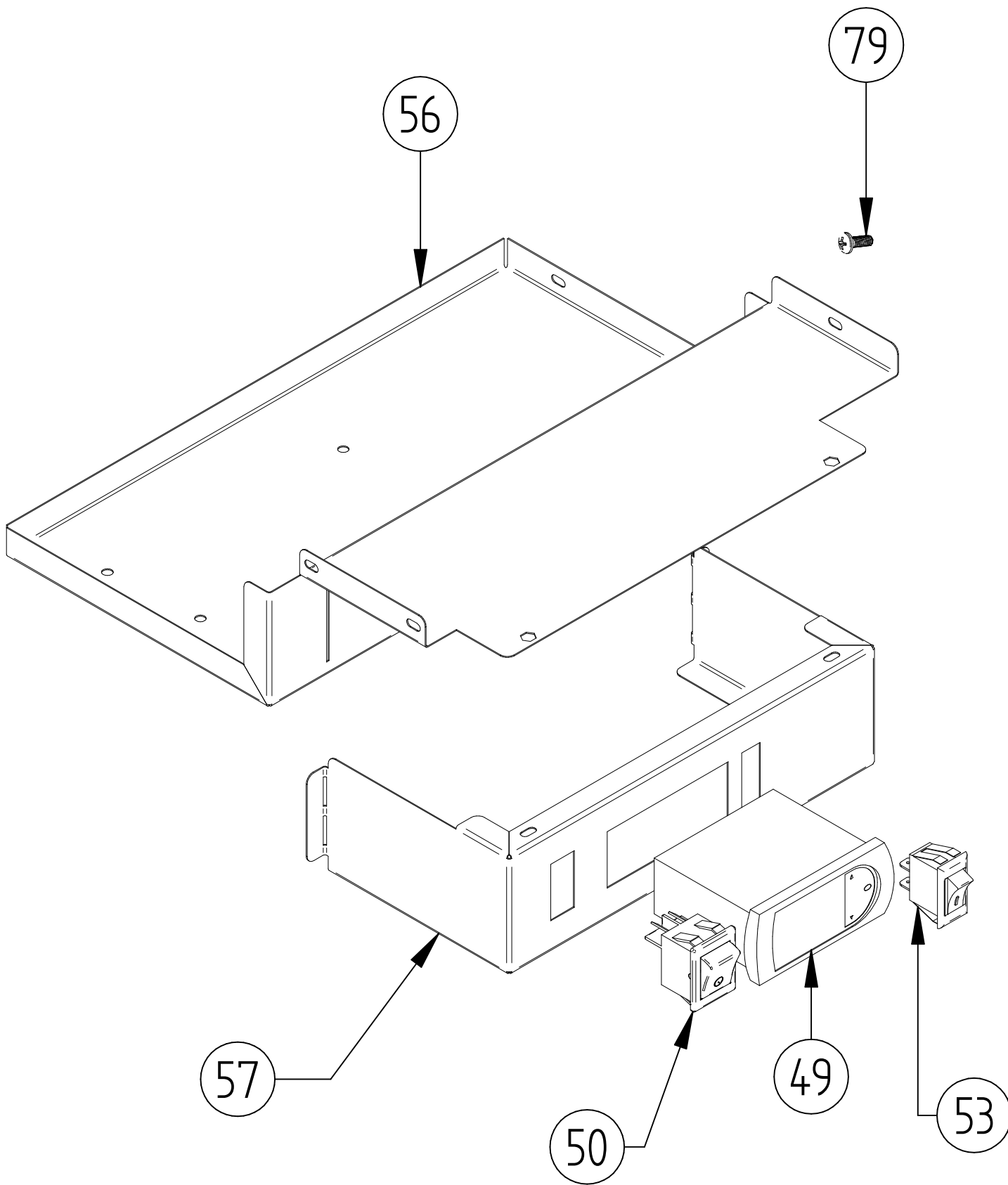
Compressor used in BB 59-95 G-S	EMC3130U (Part No. 12228006)
Nominal Voltage/Frequency/Number of Phases	115-127V 60Hz 1~ (Single phase)
Starting device type	PTC
Starting device	8EA14C3/QPS2-A4R7MD3
Run capacitor	20(180) [ $\mu$ F (VAC minimum)]
Motor protection	4TM771RFBZZ-53

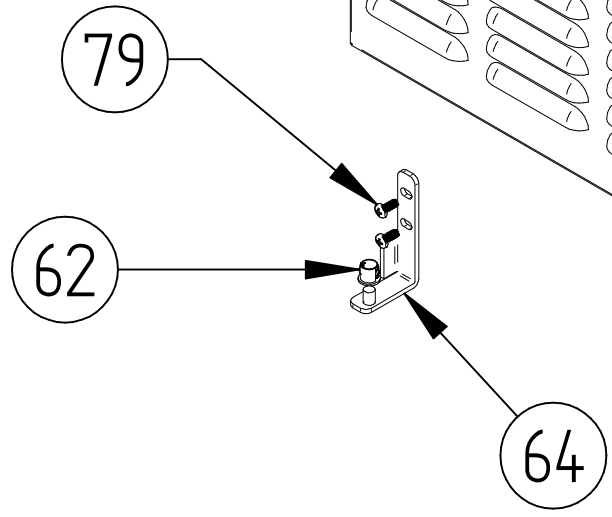
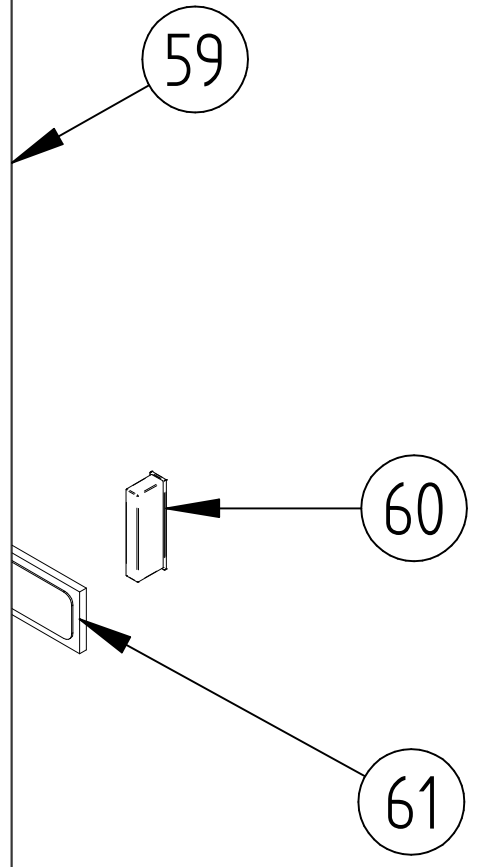
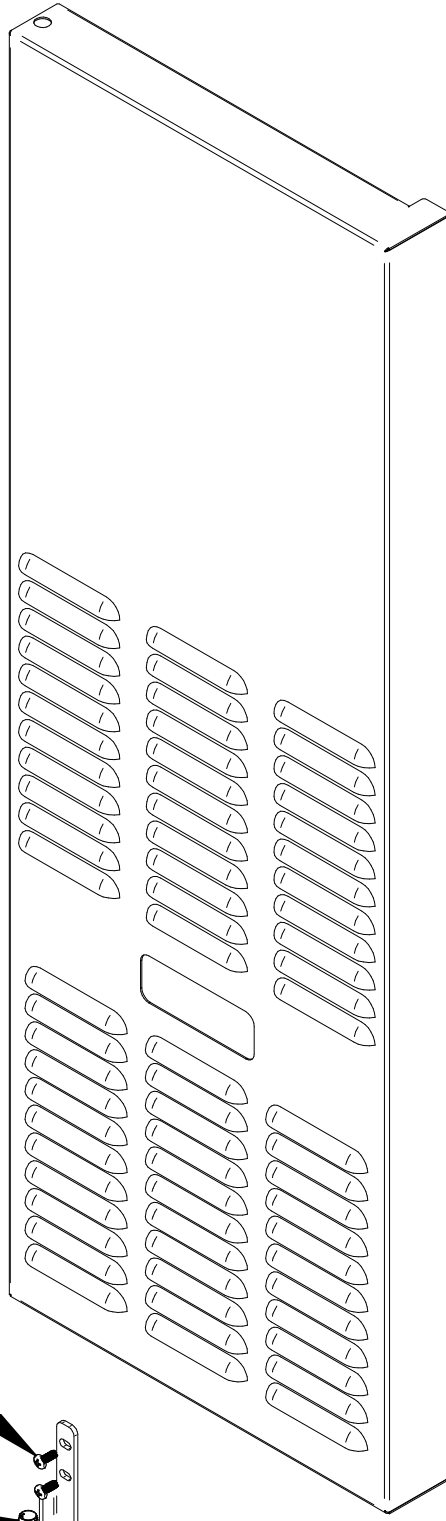
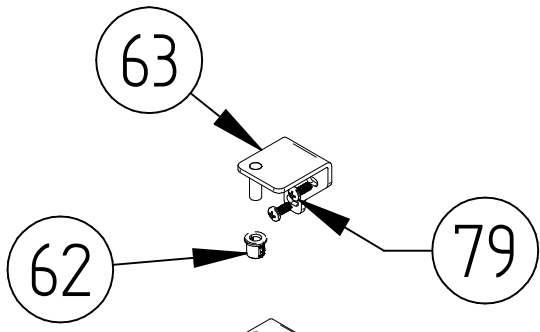










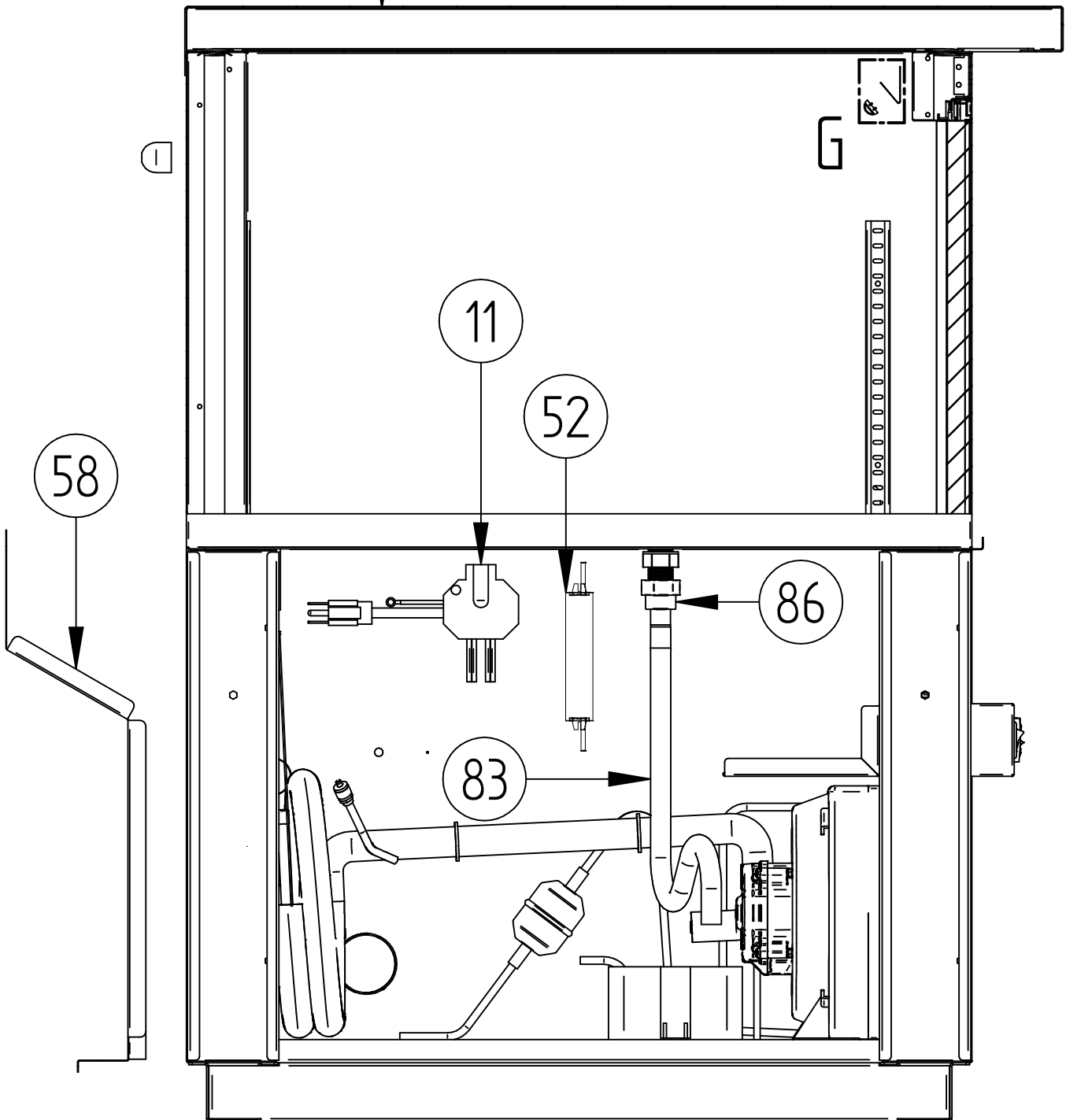


29

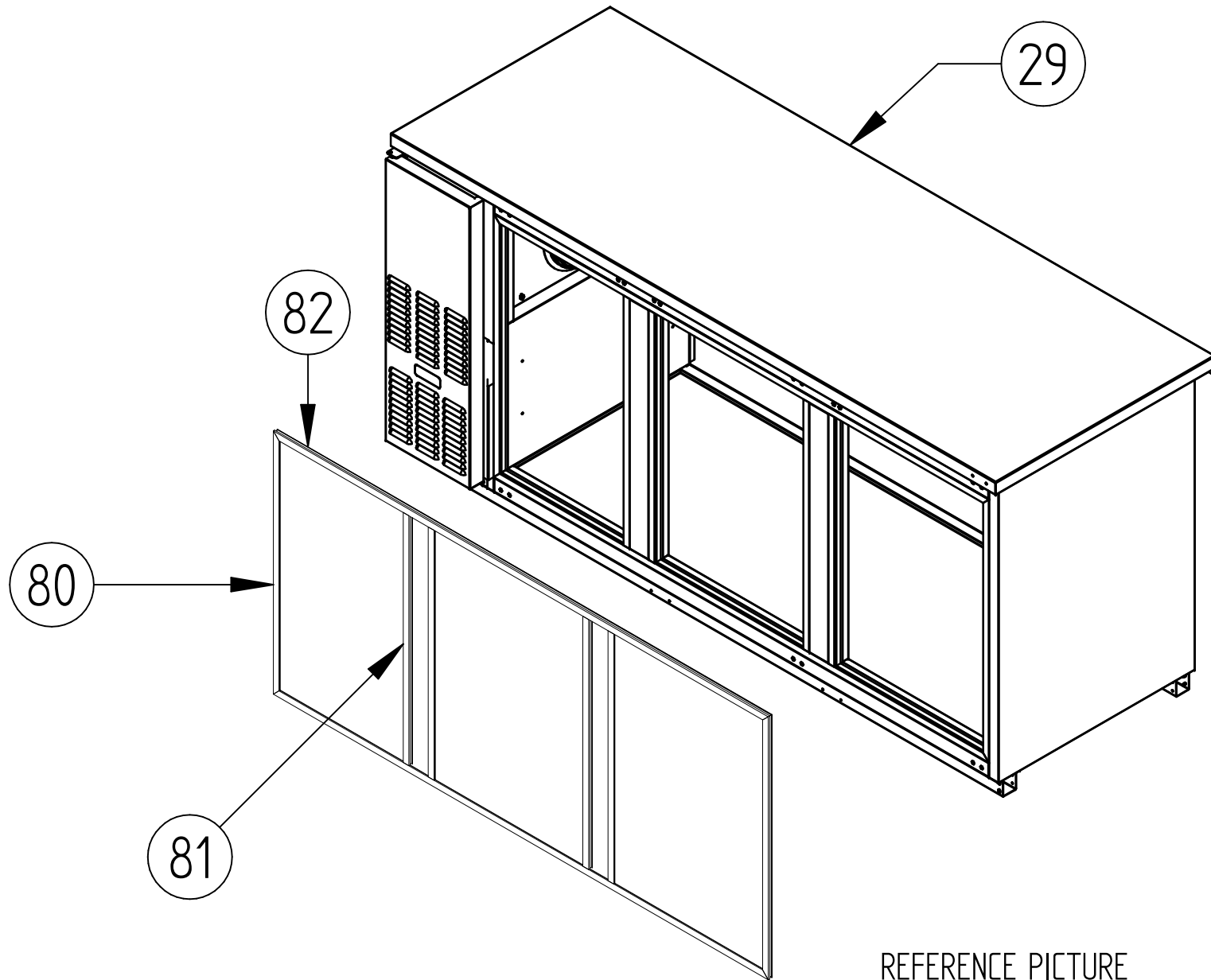
54

55

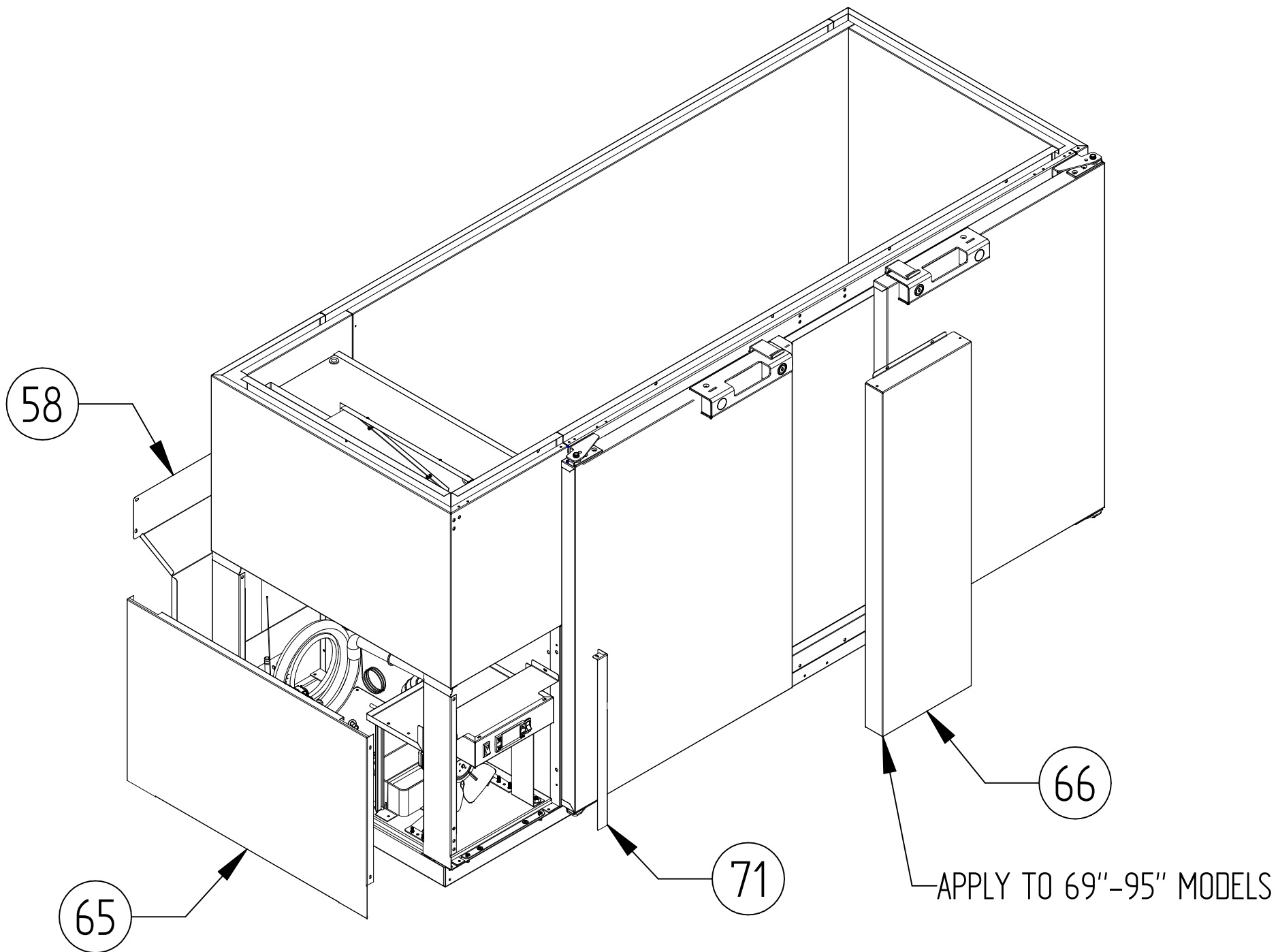
DETAIL G

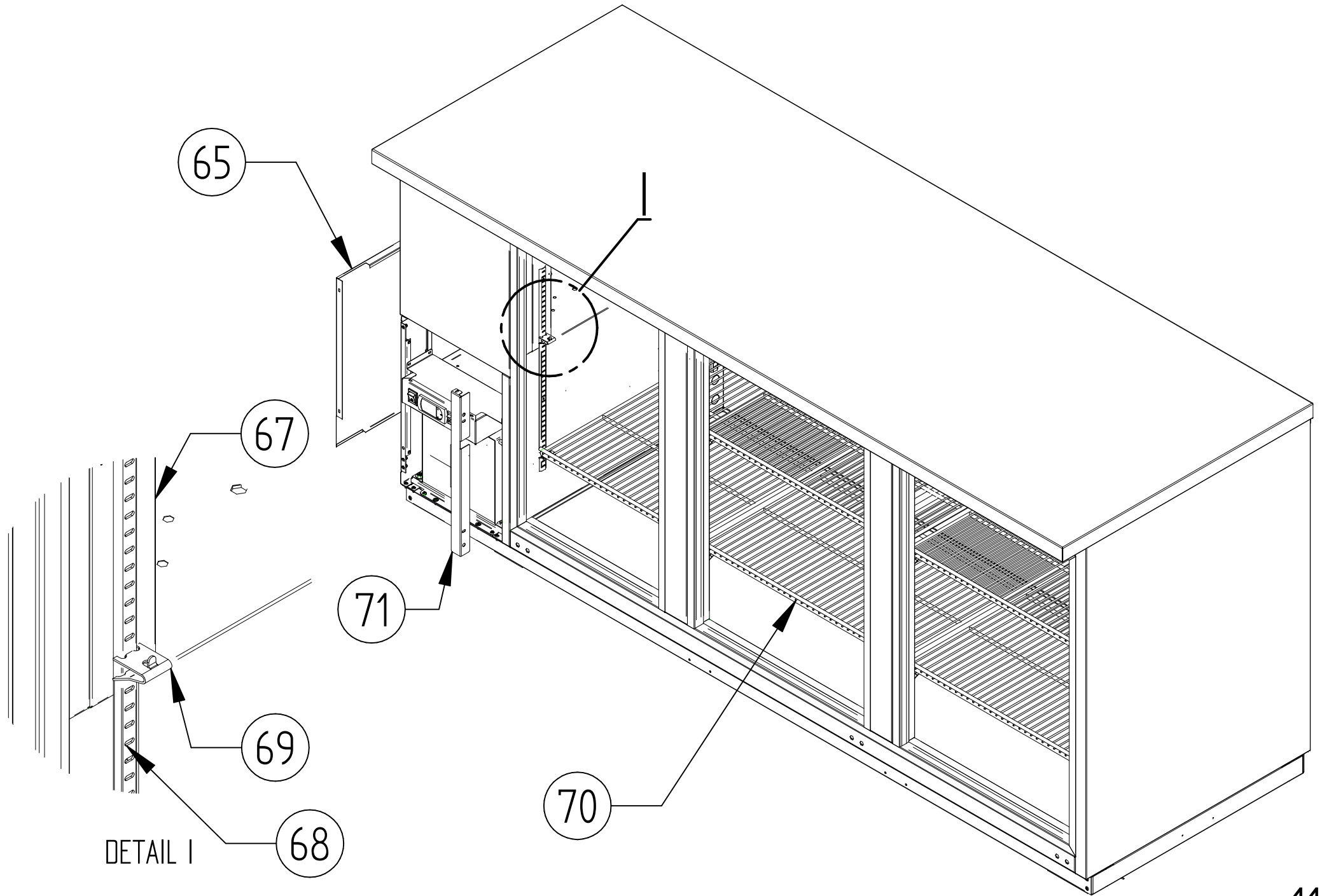






REFERENCE PICTURE





# ITEM	PART NUMBER	DESCRIPTION	BB 59 S	BB 69 S	BB 80 S	BB 95 S	BB G 59 S	BB G 69 S	BB G 80 S	BB G 95 S
<b>Condensing Units</b>										
	<b>12233519</b>	<b>CONDENSING UNIT</b>	1	1	1	1	1	1	1	1
1	<a href="#">12195862</a>	DECK	1	1	1	1	1	1	1	1
2	12228006	COMPRESSOR	1	1	1	1	1	1	1	1
3	*	START KIT	1	1	1	1	1	1	1	1
4	<a href="#">12190812</a>	CONDENSER	1	1	1	1	1	1	1	1
5	<a href="#">12188004</a>	DRIER	1	1	1	1	1	1	1	1
6	<a href="#">12189983</a>	FAN SUPPORT	1	1	1	1	1	1	1	1
7	<a href="#">12190510</a>	FAN MOTOR	1	1	1	1	1	1	1	1
8	<a href="#">12190018</a>	FAN BLADE	1	1	1	1	1	1	1	1
9	<a href="#">12190608</a>	POWER CORD	1	1	1	1	1	1	1	1
10	<a href="#">12037369</a>	SCHRADER VALVE	1	1	1	1	1	1	1	1
11	<a href="#">12201656</a>	POWER CORD(SPIDER HUB)	1	1	1	1	1	1	1	1
12	<a href="#">12189560</a>	AUTOMATIC EVAPORATION TRAY	1	1	1	1	1	1	1	1
13	12239998	HEAT EXCHANGER	1	1	1	1	1	1	1	1
14	<a href="#">12200322</a>	DISCHARGE LINE	1	1	1	1	1	1	1	1
<b>Evaporation Units</b>										
	<b>12233521</b>	<b>EVAPORATION UNIT</b>	1	1	1	1	1	1	1	1
15	<a href="#">12190777</a>	EVAPORATOR COIL	1	1	1	1	1	1	1	1
16	<a href="#">12191294</a>	FAN SUPPORT	1	1	1	1	1	1	1	1
17	<a href="#">12190018</a>	FAN BLADE	1	1	1	1	1	1	1	1
18	<a href="#">12190510</a>	FAN MOTOR	1	1	1	1	1	1	1	1
19	12206313	EVAPORATOR SHROUD	1	1	1	1	1	1	1	1
20	<a href="#">12190728</a>	FAN GRILL	1	1	1	1	1	1	1	1
21	<a href="#">12194245</a>	ANGULAR DEFLECTOR	1	1	1	1	1	1	1	1
22	<a href="#">12194247</a>	DEFLECTOR LEFT	1	1	1	1	1	1	1	1
23	<a href="#">12193839</a>	EVAPORATION TRAY	1	1	1	1	1	1	1	1
24	<a href="#">12194246</a>	DEFLECTOR RIGHT	1	1	1	1	1	1	1	1
25	<a href="#">12194248</a>	CLOUSURE	1	1	1	1	1	1	1	1
26	<a href="#">12194249</a>	TOP COVER	1	1	1	1	1	1	1	1
27	<a href="#">12194250</a>	TOP DEFLECTOR	1	1	1	1	1	1	1	1
28	<a href="#">12190068</a>	FAN SHROUD	1	1	1	1	1	1	1	1

# ITEM	PART NUMBER	DESCRIPTION	BB 59 S	BB 69 S	BB 80 S	BB 95 S	BB G 59 S	BB G 69 S	BB G 80 S	BB G 95 S
<b>Top</b>										
	12201941	TOP ASSEMBLY 59	1				1			
29	12201944	TOP ASSEMBLY 69		1				1		
	12201943	TOP ASSEMBLY 80			1				1	
	12201947	TOP ASSEMBLY 95				1				1
<b>Doors &amp; Others</b>										
	12210335	DOOR SS	2	2	2	3				
30	12210339	DOOR 79 SS			1					
	12203179	GLASS DOOR SS					1	1	2	3
	12203182	GLASS DOOR 79 SS							1	
	<b>12202821</b>	<b>RIGHT HINGE KIT</b>	1	1	2	2	1	1	2	2
31	<a href="#">12191308</a>	TOP HINGE	1	1	2	2	1	1	2	2
32	<a href="#">12191306</a>	BOTTOM HINGE	1	1	2	2	1	1	2	2
33	<a href="#">12190016</a>	SPACER	1	1	2	2	1	1	2	2
34	<a href="#">12195539</a>	WASHER	2	2	4	4	2	2	4	4
35	<a href="#">12195118</a>	HINGE CARTRIDGE	1	1	2	2	1	1	2	2
36	<a href="#">12195119</a>	STOP HINGE	1	1	2	2	1	1	2	2
	<b>12202822</b>	<b>LEFT HINGE KIT</b>	1	1	1	1	1	1	1	1
37	<a href="#">12191309</a>	LEFT TOP HINGE	1	1	1	1	1	1	1	1
38	<a href="#">12191307</a>	LEFT BOTTOM HINGE	1	1	1	1	1	1	1	1
39	<a href="#">12190016</a>	SPACER	1	1	2	2	1	1	2	2
40	<a href="#">12195539</a>	WASHER	2	2	4	4	2	2	4	4
41	<a href="#">12195118</a>	HINGE CARTRIDGE	1	1	2	2	1	1	2	2
42	<a href="#">12195119</a>	STOP HINGE	1	1	2	2	1	1	2	2
	<b>12202998</b>	<b>HANDLE KIT</b>	2	2	3	3	2	2	3	3
43	<a href="#">12211931</a>	RIGHT HANDLE	2	2	3	3	2	2	3	3
44	<a href="#">12190887</a>	LOCK	2	2	3	3	2	2	3	3
45	<a href="#">12211932</a>	PLATE	2	2	3	3	2	2	3	3
46	<a href="#">12195809</a>	SUPPORT PLATE	2	2	3	3	2	2	3	3
47	<a href="#">12195087</a>	LOCK STOP	2	2	3	3	2	2	3	3
48	<a href="#">12191258</a>	GASKET	2	2	2	2	1	1	2	2
	<a href="#">12191259</a>	GASKET			1				1	

# ITEM	PART NUMBER	DESCRIPTION	BB 59 S	BB 69 S	BB 80 S	BB 95 S	BBG 59 S	BBG 69 S	BBG 80 S	BBG 95 S
<b>Controllers &amp; Other</b>										
49	12188079	CAREL CONTROLLER	1	1	1	1	1	1	1	1
50	12190513	ROCKER SWITCH 20AMP	1	1	1	1	1	1	1	1
51	12188080	PROBE NTC030HP00 CAREL	1	1	1	1	1	1	1	1
52	12190580	DRIVER LED	1	1	1	1	1	1	1	1
53	12037353	LIGHT SWITCH	1	1	1	1	1	1	1	1
54	12194279	LAMP SUPPORT	1	1			1	1		
	12194278	LAMP SUPPORT			1	1			1	1
55	12190586	LED LIGHT	1	1			1	1		
	12190587	LED LIGHT			1	1			1	1
56	12226884	CONTROLLER DEFLECTOR SS	1	1	1	1	1	1	1	1
57	12226887	CONTROLLER SUPPORT SS	1	1	1	1	1	1	1	1
<b>Panels</b>										
58	12206591	BACK PANEL SS	1	1	1	1	1	1	1	1
59	12222036	FRONT PANEL SS	1	1	1	1	1	1	1	1
60	12190968	CATCH MAG DOOR	1	1	1	1	1	1	1	1
61	12191187	ACRY LIC LENS	1	1	1	1	1	1	1	1
62	12213300	SNAP BUSHING	2	2	2	2	2	2	2	2
63	12216175	TOP HINGE	1	1	1	1	1	1	1	1
64	12216178	BOTTOM HINGE	1	1	1	1	1	1	1	1
65	12206184	PANEL SIDE SS	1	1	1	1	1	1	1	1
66	12226950	DOORS PANEL 69 SS		1				1		
	12207876	DOORS PANEL 95 SS				2				2
<b>Shelves</b>										
67	12206325	PILASTER SUPPORT	1	1	1	1	1	1	1	1
68	12190900	PILASTER 20.2"	8	8	12	12	8	8	12	12
69	12188096	SS CLIP	16	16	24	24	16	16	24	24
70	12190688	FLAT RACK FOR 59-80	4		2		4		2	
	12190691	FLAT RACK FOR 69-95		4		6		4		6
	12190689	FLAT RACK FOR 80 CENTER			2				2	
	12190690	FLAT RACK FOR 80 LEFT			2				2	

# ITEM	PART NUMBER	DESCRIPTION	BB 59 S	BB 69 S	BB 80 S	BB 95 S	BB G 59 S	BB G 69 S	BB G 80 S	BB G 95 S
<b>Other</b>										
71	12206442	RIGHT LIGHT TRIM SS	1	1	1	1	1	1	1	1
72	<a href="#">12191519</a>	COMPRESSOR SCREW MOUNT	4	4	4	4	4	4	4	4
73	<a href="#">12189583</a>	SCREW M6X16	14	14	20	20	14	14	20	20
74	12191590	SCREW FLAT HEAD M4 X 10	4	4	6	6	4	4	6	6
75	<a href="#">12191506</a>	SCREW DRILL 8X1/2"	4	4	4	4	4	4	4	4
76	<a href="#">12189959</a>	MANUAL SCREW M4X12	10	10	10	10	10	10	10	10
77	<a href="#">12191518</a>	SCREW ALLEN 6X16	6	6	6	6	6	6	6	6
78	<a href="#">12191589</a>	SCREW FLAT HEAD 10-32 X 5/8"	12	12	18	18	12	12	18	18
79	12189582	SCREW M4X10 SS	20	20	20	20	20	20	20	20
<b>Plastic Frame</b>										
	<a href="#">12200483</a>	SIDE STRIP	2				2			
80	<a href="#">12200484</a>	SIDE STRIP		2				2		
	<a href="#">12200485</a>	SIDE STRIP			2				2	
	<a href="#">12200486</a>	SIDE STRIP				2				2
81	<a href="#">12200487</a>	CENTRAL STRIP	2	2	4	4	2	2	4	4
82	<a href="#">12200510</a>	TOP STRIP	2	2	2	2	2	2	2	2
<b>Drain</b>										
83	<a href="#">12190467</a>	DRAIN HOSE	1	1	1	1	1	1	1	1
84	12037642	DRAIN	1	1	1	1	1	1	1	1
85	<a href="#">12189956</a>	RUBBER JOINT	1	1	1	1	1	1	1	1
86	<a href="#">12190069</a>	ADAPTER HOSE COUPLING	1	1	1	1	1	1	1	1

**HOSHIZAKI AMERICA, INC.**

---

618 Hwy. 74 South, Peachtree City, GA 30269 USA (P) 770.487.2331 (F) 770.487.3360 [hoshizakiamerica.com](http://hoshizakiamerica.com)