



# Sanitizing Sink Heater

## *3CS Series*

---

3CS-3

3CS-6

3CS-4

3CS-9

---

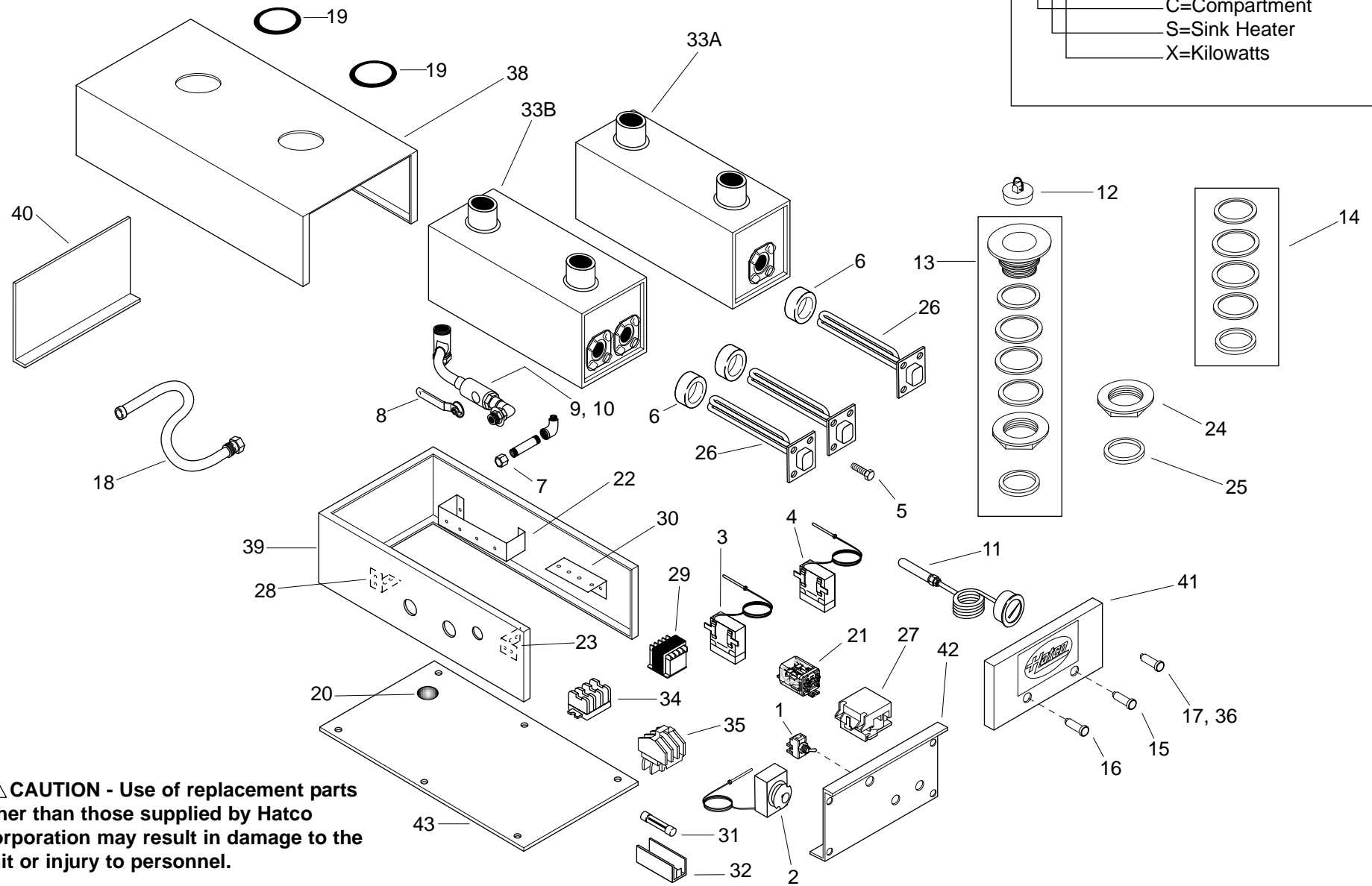
**REPLACEMENT  
PARTS LIST**

---

# HATCO 3CS SERIES SANITIZING SINK HEATERS

**Model Designation**  
3CS-X

- 3=Three
- C=Compartment
- S=Sink Heater
- X=Kilowatts



**⚠ CAUTION - Use of replacement parts other than those supplied by Hatco Corporation may result in damage to the unit or injury to personnel.**

### PARTS COMMON TO ALL 3CS MODELS

ITEM	DESCRIPTION	PART NO.	QTY.	ITEM	DESCRIPTION	PART NO.	QTY.
1	On/Off Power Switch	02.19.008A.00	1	12	Stopper, Rubber	05.06.026.00	1
2	Control, Thermostat, 192°F (89°C)	02.16.003A.00	1	13	Sink Strainer Assembly Kit	R05.30.009.00	2
3	Thermostat, Overtemp, 205°F (96°C)	02.16.004.00	1	14	Strainer Gasket Kit	R00.05.0002.00	1
4	Thermostat, At-Temp, 175°F (79°C), (optional)	02.16.004A.00	1	15	Indicator Light, Green	02.19.150.00	1
5	Mounting Bolts	05.04.062.00	4-8	16	Indicator Light, Red	02.19.151.00	1
6	Gasket, Element	05.06.005.00	1-2	17	Indicator Light, Yellow	02.19.152.00	1
7	Drain Cap, Heating Compartment	R03.40.014.00	1	18	Hose with Adaptor	05.06.010.00	1
8	Handle, Sump Drain	03.02.001B.00	1	19	Grommets, Black Molded Rubber	05.06.008.00	2
9	Ball Valve, Sweat Fitting (old style)	03.02.002.00	1	20	Drain Screen Plug, 1" (3 cm)	02.20.026.00	1
10	Ball Valve, Thread Fitting (new style)	03.02.001.00	1	21	Control Relay	R02.01.025.00	1
11	Temperature Monitor (optional)	03.01.005.00	1	22	Mounting Bracket, Thermostat (for #3 & #4)	04.20.003.00	1
				23	Mounting Bracket, Control Thermostat (for #2)	04.20.004.00	1
				24	Brass Locknut	05.30.009A.00	2
				25	Union Gasket	05.06.009.00	2

Shaded area in parts lists on the following pages reflects export models only.

**Note:** S.S. is an abbreviation for stainless steel on the following pages.

**PARTS SPECIFIC TO MODEL 3CS-3**

ITEM	DESCRIPTION	208V 60 Hz	240V 60 Hz	220-230V CE Single Phase 50 Hz	230-240V CE Single Phase 50 Hz	480V 60 Hz
26	Heating Element (Qty. 1)	R02.06.300.00	R02.06.301.00	R02.06.301.00	R02.06.301.00	R02.06.303.00
27	Power Relay	02.01.008.00	02.01.008.00	---	---	---
28	Mounting Bracket, Terminal Block	04.20.001.00	04.20.001.00	---	---	---
29	Transformer	---	---	---	---	R02.17.002.00
30	Mounting Bracket, Transformer	---	---	---	---	04.20.033.00
31	Fuse (AGC-1) (2 Pack)	---	---	---	---	R02.03.001.02
32	Fuse Holder	---	---	---	---	02.03.004.00
33A	Water Tank	R01.04.001.00	R01.04.001.00	R01.04.001.00	R01.04.001.00	R01.04.001.00
33B	Water Tank	---	---	---	---	---
34	Terminal Block	R02.15.003.00	R02.15.003.00	R02.15.035.00	R02.15.035.00	R02.15.003.00
35	Contactors (Qty. 1-2)	---	---	02.01.149.00	02.01.149.00	02.01.016.00
36	Indicator Light, Blue	---	---	02.19.157.00	02.19.157.00	---
37	Rubber Cover, Toggle Switch (Not Shown)	---	---	02.20.040.00	02.20.040.00	---
38	Jacket, Painted	04.06.087.00	04.06.087.00	04.06.087.00	04.06.087.00	04.06.089.00
	Jacket, S.S. (Not Shown)	04.06.088.00	04.06.088.00	04.06.088.00	04.06.088.00	04.06.090.00
39	Base, Painted	04.06.007.00	04.06.007.00	04.06.007.00	04.06.007.00	04.06.113.00
	Base, S.S. (Not Shown)	04.06.009.00	04.06.009.00	04.06.009.00	04.06.009.00	04.06.114.00
40	Rear Plate, Painted	04.06.021.00	04.06.021.00	04.06.021.00	04.06.021.00	04.06.022.00
	Rear Plate, S.S. (Not Shown)	04.06.003A.00	04.06.003A.00	04.06.003A.00	04.06.003A.00	04.06.004A.00
41	Front Cover For Two Indicator Lights	04.06.070.00	04.06.070.00	04.06.070.00	04.06.070.00	04.06.073.00
	Front Cover For One Indicator Light (Not Shown)	04.06.072.00	04.06.072.00	04.06.072.00	04.06.072.00	---
42	Base Front, Painted	04.06.076.00	04.06.076.00	04.06.076.00	04.06.076.00	04.06.081.00
	Base Front, S.S. (Not Shown)	04.06.077.00	04.06.077.00	04.06.077.00	04.06.077.00	04.06.082.00
	Base Front With Monitor Hole, Painted (Not Shown)	04.06.078.00	04.06.078.00	04.06.078.00	04.06.078.00	04.06.083.00
	Base Front With Monitor Hole, S.S. (Not Shown)	04.06.079.00	04.06.079.00	04.06.079.00	04.06.079.00	04.06.084.00
43	Bottom Cover, Painted	04.06.015.00	04.06.015.00	04.06.015.00	04.06.015.00	04.06.016.00
	Bottom Cover, S.S. (Not Shown)	04.06.017.00	04.06.017.00	04.06.017.00	04.06.017.00	04.06.018.00
	Electrical Diagram	HS1-3572	HS1-3572	HS1-4744	HS1-4744	HS1-3573

Shaded area in parts lists on the following pages reflects export models only.

**Note:** S.S. is an abbreviation for stainless steel on the following pages.

<b>PARTS SPECIFIC TO MODEL 3CS-4</b>						
<b>ITEM</b>	<b>DESCRIPTION</b>	<b>208V 60 Hz</b>	<b>240V 60 Hz</b>	<b>220-230V CE Single Phase 50 Hz</b>	<b>230-240V CE Single Phase 50 Hz</b>	<b>480V 60 Hz</b>
26	Heating Element (Qty. 1)	R02.06.450.00	R02.06.451.00	---	---	R02.06.452.00
27	Power Relay	02.01.008.00	02.01.008.00	---	---	---
28	Mounting Bracket, Terminal Block	04.20.001.00	04.20.001.00	---	---	---
29	Transformer	---	---	---	---	R02.17.002.00
30	Mounting Bracket, Transformer	---	---	---	---	04.20.033.00
31	Fuse (AGC-1) (2 Pack)	---	---	---	---	R02.03.001.02
32	Fuse Holder	---	---	---	---	02.03.004.00
33A	Water Tank	R01.04.001.00	R01.04.001.00	---	---	R01.04.001.00
33B	Water Tank	---	---	---	---	---
34	Terminal Block	R02.15.003.00	R02.15.003.00	---	---	R02.15.003.00
35	Contactor (Qty. 1-2)	---	---	---	---	02.01.016.00
36	Indicator Light, Blue	---	---	---	---	---
37	Rubber Cover, Toggle Switch (Not Shown)	---	---	---	---	---
38	Jacket, Painted	04.06.087.00	04.06.087.00	---	---	04.06.089.00
	Jacket, S.S. (Not Shown)	04.06.088.00	04.06.088.00	---	---	04.06.090.00
39	Base, Painted	04.06.007.00	04.06.007.00	---	---	04.06.113.00
	Base, S.S. (Not Shown)	04.06.009.00	04.06.009.00	---	---	04.06.114.00
40	Rear Plate, Painted	04.06.021.00	04.06.021.00	---	---	04.06.022.00
	Rear Plate, S.S. (Not Shown)	04.06.003A.00	04.06.003A.00	---	---	04.06.004A.00
41	Front Cover For Two Indicator Lights	04.06.070.00	04.06.070.00	---	---	04.06.073.00
	Front Cover For One Indicator Light (Not Shown)	04.06.072.00	04.06.072.00	---	---	---
42	Base Front, Painted	04.06.076.00	04.06.076.00	---	---	04.06.081.00
	Base Front, S.S. (Not Shown)	04.06.077.00	04.06.077.00	---	---	04.06.082.00
	Base Front With Monitor Hole, Painted (Not Shown)	04.06.078.00	04.06.078.00	---	---	04.06.083.00
	Base Front With Monitor Hole, S.S. (Not Shown)	04.06.079.00	04.06.079.00	---	---	04.06.084.00
43	Bottom Cover, Painted	04.06.015.00	04.06.015.00	---	---	04.06.016.00
	Bottom Cover, S.S. (Not Shown)	04.06.017.00	04.06.017.00	---	---	04.06.018.00
	Electrical Diagram	HS1-3572	HS1-3572	---	---	HS1-3573

Shaded area in parts lists on the following pages reflects export models only.

**Note:** S.S. is an abbreviation for stainless steel on the following pages.

**PARTS SPECIFIC TO MODEL 3CS-6**

ITEM	DESCRIPTION	208V	240V	220-230V CE	230-240V CE	480V
		60 Hz	60 Hz	Single Phase 50 Hz	Single Phase 50 Hz	60 Hz
26	Heating Element (Qty. 2)	R02.06.300.00	R02.06.301.00	R02.06.301.00	R02.06.301.00	R02.06.303.00
27	Power Relay	02.01.008.00	02.01.008.00	---	---	---
28	Mounting Bracket, Terminal Block	04.20.001.00	04.20.001.00	---	---	---
29	Transformer	---	---	---	---	R02.17.002.00
30	Mounting Bracket, Transformer	---	---	---	---	04.20.033.00
31	Fuse (AGC-1) (2 Pack)	---	---	---	---	R02.03.001.02
32	Fuse Holder	---	---	---	---	02.03.004.00
33A	Water Tank	---	---	---	---	---
33B	Water Tank	R01.04.002.00	R01.04.002.00	R01.04.002.00	R01.04.002.00	R01.04.002.00
34	Terminal Block	R02.15.003.00	R02.15.003.00	R02.15.035.00	R02.15.035.00	R02.15.003.00
35	Contactors (Qty. 1-2)	---	---	02.01.149.00	02.01.149.00	02.01.016.00
36	Indicator Light, Blue	---	---	02.19.157.00	02.19.157.00	---
37	Rubber Cover, Toggle Switch (Not Shown)	---	---	02.20.040.00	02.20.040.00	---
38	Jacket, Painted	04.06.087.00	04.06.087.00	04.06.087.00	04.06.087.00	04.06.089.00
	Jacket, S.S. (Not Shown)	04.06.088.00	04.06.088.00	04.06.088.00	04.06.088.00	04.06.090.00
39	Base, Painted	04.06.007.00	04.06.007.00	04.06.007.00	04.06.007.00	04.06.113.00
	Base, S.S. (Not Shown)	04.06.009.00	04.06.009.00	04.06.009.00	04.06.009.00	04.06.114.00
40	Rear Plate, Painted	04.06.021.00	04.06.021.00	04.06.021.00	04.06.021.00	04.06.022.00
	Rear Plate, S.S. (Not Shown)	04.06.003A.00	04.06.003A.00	04.06.003A.00	04.06.003A.00	04.06.004A.00
41	Front Cover For Two Indicator Lights	04.06.070.00	04.06.070.00	04.06.070.00	04.06.070.00	04.06.073.00
	Front Cover For One Indicator Light (Not Shown)	04.06.072.00	04.06.072.00	04.06.072.00	04.06.072.00	---
42	Base Front, Painted	04.06.076.00	04.06.076.00	04.06.076.00	04.06.076.00	04.06.081.00
	Base Front, S.S. (Not Shown)	04.06.077.00	04.06.077.00	04.06.077.00	04.06.077.00	04.06.082.00
	Base Front With Monitor Hole, Painted (Not Shown)	04.06.078.00	04.06.078.00	04.06.078.00	04.06.078.00	04.06.083.00
	Base Front With Monitor Hole, S.S. (Not Shown)	04.06.079.00	04.06.079.00	04.06.079.00	04.06.079.00	04.06.084.00
43	Bottom Cover, Painted	04.06.015.00	04.06.015.00	04.06.015.00	04.06.015.00	04.06.016.00
	Bottom Cover, S.S. (Not Shown)	04.06.017.00	04.06.017.00	04.06.017.00	04.06.017.00	04.06.018.00
	Electrical Diagram	HS1-3570	HS1-3570	HS1-4741	HS1-4741	HC1-580

Shaded area in parts lists on the following pages reflects export models only.

**Note:** S.S. is an abbreviation for stainless steel on the following pages.

**PARTS SPECIFIC TO MODEL 3CS-9**

ITEM	DESCRIPTION	208V	240V	220-230V CE	230-240V CE	480V
		60 Hz	60 Hz	Single Phase 50 Hz	Single Phase 50 Hz	60 Hz
26	Heating Element (Qty. 2)	R02.06.450.00	R02.06.451.00	---	---	R02.06.452.00
27	Power Relay	02.01.008.00	02.01.008.00	---	---	---
28	Mounting Bracket, Terminal Block	04.20.001.00	04.20.001.00	---	---	---
29	Transformer	---	---	---	---	R02.17.002.00
30	Mounting Bracket, Transformer	---	---	---	---	04.20.033.00
31	Fuse (AGC-1) (2 Pack)	---	---	---	---	R02.03.001.02
32	Fuse Holder	---	---	---	---	02.03.004.00
33A	Water Tank	---	---	---	---	---
33B	Water Tank	R01.04.002.00	R01.04.002.00	---	---	R01.04.002.00
34	Terminal Block	R02.15.003.00	R02.15.003.00	---	---	R02.15.003.00
35	Contactors (Qty. 1-2)	---	---	---	---	02.01.016.00
36	Indicator Light, Blue	---	---	---	---	---
37	Rubber Cover, Toggle Switch (Not Shown)	---	---	---	---	---
38	Jacket, Painted	04.06.087.00	04.06.087.00	---	---	04.06.089.00
	Jacket, S.S. (Not Shown)	04.06.088.00	04.06.088.00	---	---	04.06.090.00
39	Base, Painted	04.06.007.00	04.06.007.00	---	---	04.06.113.00
	Base, S.S. (Not Shown)	04.06.009.00	04.06.009.00	---	---	04.06.114.00
40	Rear Plate, Painted	04.06.021.00	04.06.021.00	---	---	04.06.022.00
	Rear Plate, S.S. (Not Shown)	04.06.003A.00	04.06.003A.00	---	---	04.06.004A.00
41	Front Cover For Two Indicator Lights	04.06.070.00	04.06.070.00	---	---	04.06.073.00
	Front Cover For One Indicator Light (Not Shown)	04.06.072.00	04.06.072.00	---	---	---
42	Base Front, Painted	04.06.076.00	04.06.076.00	---	---	04.06.081.00
	Base Front, S.S. (Not Shown)	04.06.077.00	04.06.077.00	---	---	04.06.082.00
	Base Front With Monitor Hole, Painted (Not Shown)	04.06.078.00	04.06.078.00	---	---	04.06.083.00
	Base Front With Monitor Hole, S.S. (Not Shown)	04.06.079.00	04.06.079.00	---	---	04.06.084.00
43	Bottom Cover, Painted	04.06.015.00	04.06.015.00	---	---	04.06.016.00
	Bottom Cover, S.S. (Not Shown)	04.06.017.00	04.06.017.00	---	---	04.06.018.00
	Electrical Diagram	HS1-3570	HS1-3570	---	---	HC1-580

Shaded area in parts lists on the following pages reflects export models only.

**Note:** S.S. is an abbreviation for stainless steel on the following pages.

## HATCO AUTHORIZED PARTS DISTRIBUTORS

### ALABAMA

Jones McLeod Appl. Svc.  
Birmingham 205-251-0159

### ARIZONA

Auth. Comm. Food Equip.  
Phoenix 602-234-2443  
Byassee Equipment Co.  
Phoenix 602-252-0402

### CALIFORNIA

Industrial Electric  
Huntington Beach 714-379-7100  
Chapman Appl. Service  
San Diego 619-298-7106  
P & D Appliance  
S. San Francisco 650-635-1900

### COLORADO

All City Service  
Denver 303-454-9500  
Hawkins Commercial Appliance  
Englewood 303-781-5548

### DELAWARE

Food Equipment Service  
Wilmington 302-996-9363

### FLORIDA

Whaley Foodservice Repair  
Jacksonville 904-725-7800  
Nass Service Co., Inc.  
Orlando 407-425-2681  
B.G.S.I.  
Pompano Beach 954-971-0456  
Comm. Appliance Service  
Tampa 813-663-0313

### GEORGIA

Southeastern Rest. Svc.  
Norcross 770-446-6177

### HAWAII

Burney's Comm. Service, Inc.  
Honolulu 808-848-1466  
Food Equip Parts & Service  
Honolulu 808-847-4871

### ILLINOIS

Parts Town  
Broadview 708-865-7278  
Eichenauer Elec. Service  
Decatur 217-429-4229  
Midwest Elec. Appl. Service  
Elmhurst 630-279-8000  
Cone's Repair Service  
Moline 309-797-5323

### INDIANA

Comm. Parts & Service, Inc.  
Indianapolis 317-545-9655

### IOWA

Electric Motor Service Co.  
Davenport 319-323-1823

### KENTUCKY

Comm. Parts & Service, Inc.  
Louisville 502-367-1788

### LOUISIANA

Chandlers Parts & Service  
Baton Rouge 225-272-6620

### LOUISIANA (Continued)

Bana Comm. Parts, Inc.  
Shreveport 318-631-6550

### MARYLAND

Electric Motor Service  
Baltimore 410-467-8080  
GCS Service, Inc.  
Silver Spring 301-585-7550

### MASSACHUSETTS

Ace Service Co., Inc.  
Needham 781-449-4220

### MICHIGAN

Commercial Kitchen Service  
Bay City 517-893-4561  
Bildons Appliance Service  
Detroit 248-478-3320  
Midwest Food Equip. Service  
Grandville 616-261-2000

### MINNESOTA

GCS Service  
Minneapolis 612-546-4221

### MISSOURI

GCS Service, Inc.  
Kansas City 816-920-5999  
Commercial Kitchen Services  
St. Louis 314-890-0700  
Kaemmerlen Parts & Service  
St. Louis 314-535-2222

### NEBRASKA

Anderson Electric  
Omaha 402-341-1414

### NEVADA

Burney's Commercial  
Las Vegas 702-736-0006

### NEW JERSEY

Jay Hill Repair  
Fairfield 973-575-9145  
Service Plus  
Flanders 973-691-6300

### NEW YORK

Acme American Repairs, Inc.  
Brooklyn 718-456-6544  
Alpro Service Co.  
Brooklyn 718-386-2515  
Appliance Installation  
Buffalo 716-884-7425  
Northern Parts Dist.  
Plattsburgh 518-563-3200  
J. B. Brady, Inc.  
Syracuse 315-422-9271

### NORTH CAROLINA

Authorized Appliance  
Charlotte 704-377-4501

### OHIO

Akron/Canton Comm. Svc. Inc.  
Akron 330-753-6635  
Certified Service Center  
Cincinnati 513-772-6600  
GCS Service  
Columbus 614-476-3225  
Electrical Appl. Repair Service  
Independence 216-459-8700

### OHIO (Continued)

E. A. Wichman Co.  
Toledo 419-385-9121

### OKLAHOMA

Hagar Rest. Service, Inc.  
Oklahoma City 405-235-2184  
Krueger, Inc.  
Oklahoma City 405-528-8883

### OREGON

Bressie Electric Co.  
Portland 503-231-7171  
Ron's Service, Inc.  
Portland 503-624-0890

### PENNSYLVANIA

Authorized Factory Service  
Coraopolis 412-262-2330  
FAST Comm. Appl. Service  
Philadelphia 215-288-4800  
GCS Service, Inc.  
Pittsburgh 412-787-1970  
K & D Service Co.  
Harrisburg 717-236-9039  
Elmer Schultz Services  
Philadelphia 215-627-5401  
Electric Repair Co.  
Reading 610-376-5444

### RHODE ISLAND

Marshall Electric Co.  
Providence 401-331-1163

### SOUTH CAROLINA

Whaley Foodservice Repair  
W. Columbia 803-791-4420

### TENNESSEE

Camp Electric  
Memphis 901-527-7543

### TEXAS

City Kitchen Service Co.  
Austin 512-719-4445  
Stove Parts Supply  
Fort Worth 817-831-0381  
Armstrong Repair Service  
Houston 713-666-7100  
Commercial Kitchen Repair Co.  
San Antonio 210-735-2811  
San Antonio Rest. Equip.  
San Antonio 210-824-3271

### UTAH

Peterson's Commercial Parts & Svc.  
Salt Lake City 801-487-3653

### VIRGINIA

Daubers  
Norfolk 757-855-4097  
Daubers  
Springfield 703-866-3600

### WASHINGTON

Restaurant Appl. Service  
Seattle 206-524-8200

### WISCONSIN

A.S.C., Inc.  
Madison 608-246-3160  
A.S.C., Inc.  
Milwaukee 414-543-6460

## HATCO CORPORATION

P.O. Box 340500, Milwaukee, WI 53234-0500 U.S.A.

(800) 558-0607 (414) 671-6350

Parts & Service Fax (800) 690-2966 Int'l. Fax (414) 671-3976

Web Site: [www.hatcocorp.com](http://www.hatcocorp.com)