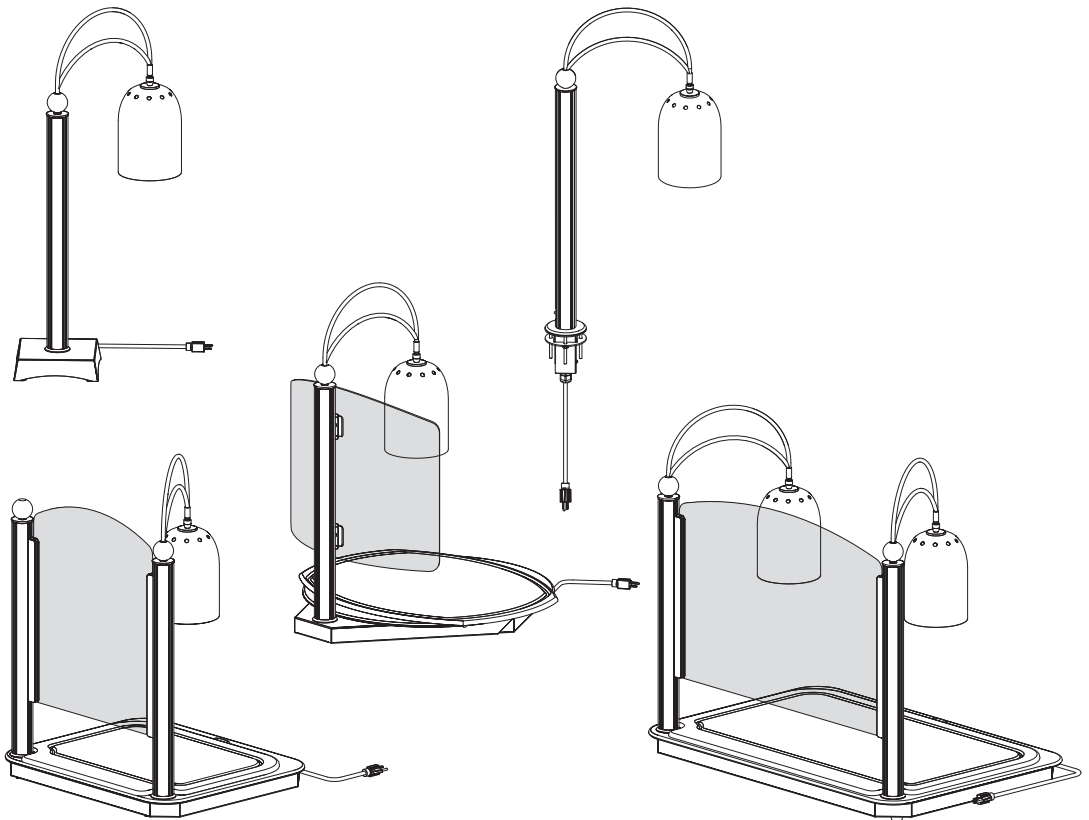




Decorative Carving Station

DCS Series

<u>Model Name</u>	<u>Page</u>	<u>Model Name</u>	<u>Page</u>
DCS400-1	2	DCSB400-R24-1	6
DCS400-1CM.....	4	DCSB400-2420-1.....	6
		DCSB400-3624-2.....	6



Replacement Parts List

DECORATIVE CARVING STATION

DCS400-1 Models

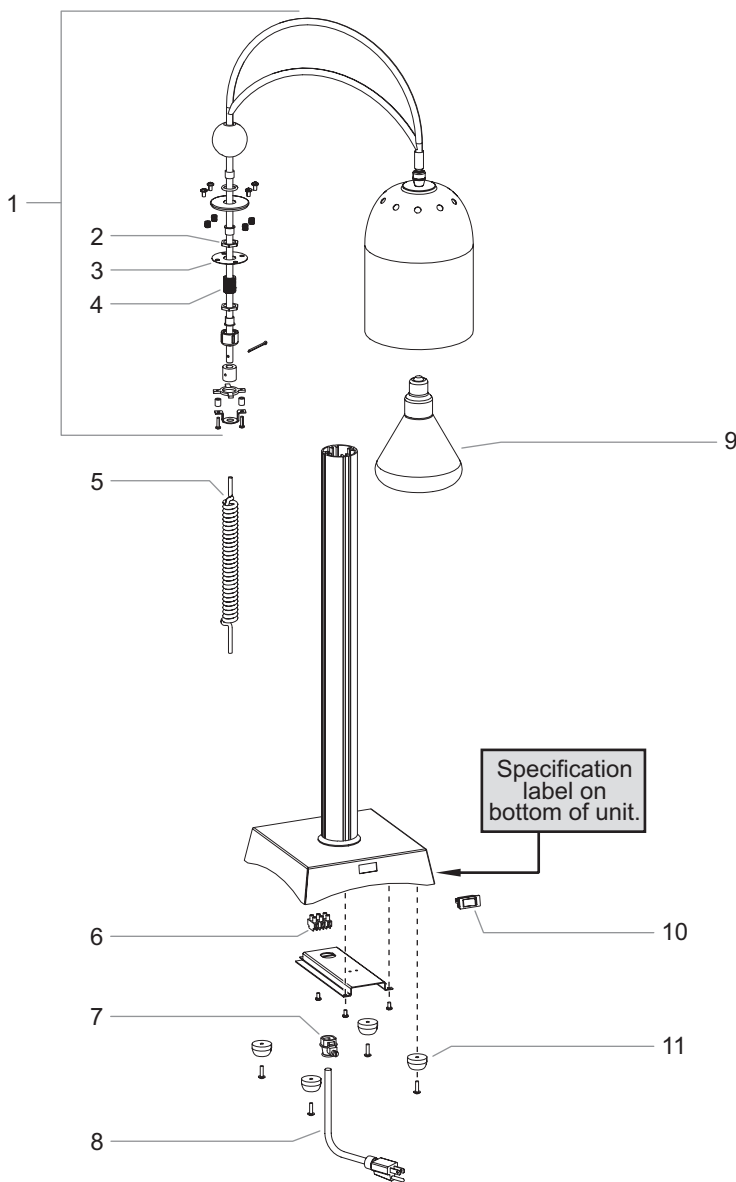
Model Designation

DCS400-1

Decorative Carving Station

Shade Style Number

Quantity Overhead
Heat Lamps



24 Hour 7 Day Parts and Service Assistance available in the United States and Canada by calling 800-558-0607.

CAUTION

Use of replacement parts other than those supplied by Hatco Corporation may result in damage to unit or injury to personnel and will void all warranties.



Parts for DCS400-1 Models

Item	Description	Part Number	Qty.
1	Hook Assembly, Center Mount		
	Bright Nickel	R00.04.0085.00	1
	Bright Brass	R00.04.0086.00	1
	Bright Copper	R00.04.0096.00	1
	Antique Bronze	R00.04.0076.00	1
2	Locknut	02.20.270.00	2
3	Cap, Post	04.52.016.00	1
4	Nipple, Straight	02.20.359.00	1
5	Coiled Cord	02.18.253.00	1
6	T-Block	R02.15.030.00	1
7	Cord Grip	02.20.212.00	1
8	Cord		
	NEMA 5-15P	R02.18.030.00	1
	CEE Schuko	02.18.077.00	1
	BS-1363	02.18.066.00	1
	AS-3112	02.18.104.00	1

Item	Description	Part Number	Qty.
9	Bulb		
	120 V, 250 W, White, Coated	02.30.069.00	1
	240 V, 250 W, White, Coated	02.30.100.00	1
10	Switch, Rocker	02.19.177.00	1
11	Feet	R05.30.029.00	4
	Wiring Diagram		
	120 V	10-01-801	
	230 V	10-01-849	

The shaded areas contain part information for **International models only.**

DECORATIVE CARVING STATION

DCS400-1CM Models

Model Designation

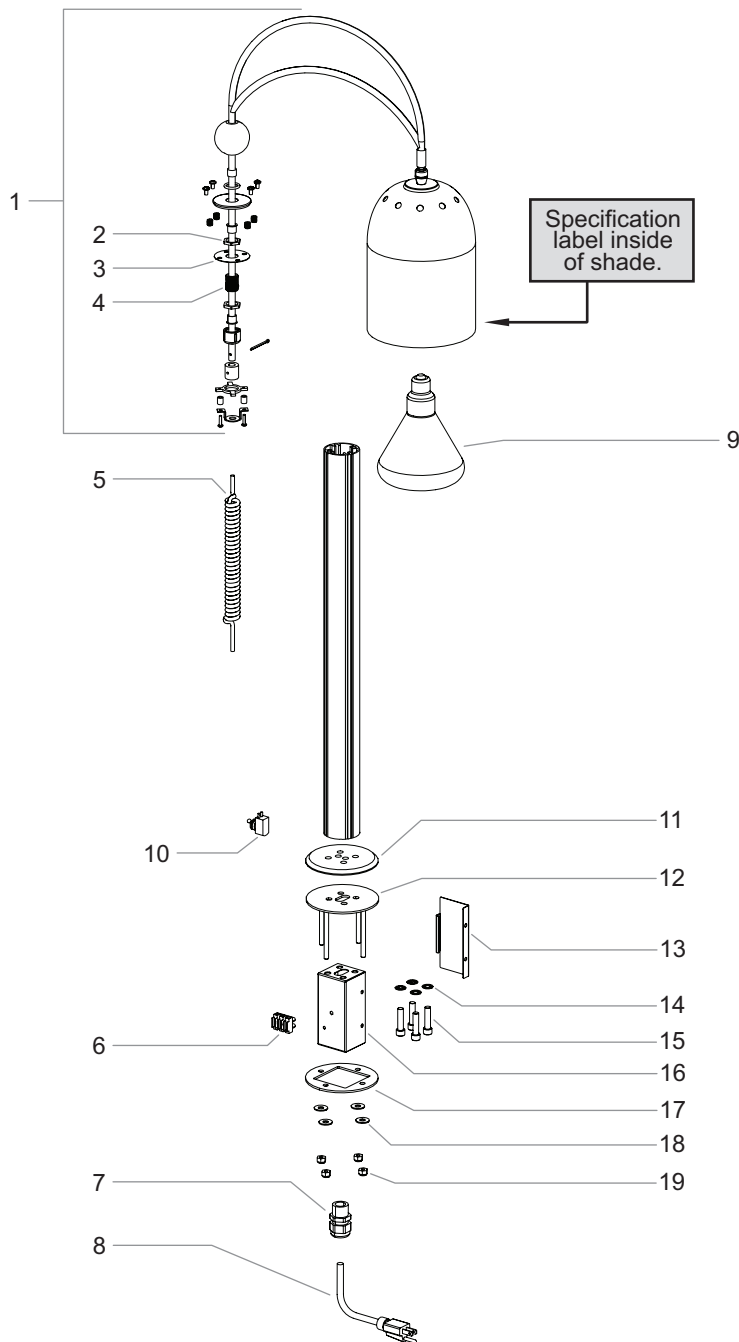
DCS400-1CM

Decorative Carving Station

Countertop Mount

Shade Style Number

Quantity Overhead Heat Lamps



24 Hour 7 Day Parts and Service Assistance available in the United States and Canada by calling 800-558-0607.

CAUTION

Use of replacement parts other than those supplied by Hatco Corporation may result in damage to unit or injury to personnel and will void all warranties.



Parts for DCS400-1CM Models

Item	Description	Part Number	Qty.
1	Hook Assembly, Center Mount		
	Bright Nickel	R00.04.0085.00	1
	Bright Brass	R00.04.0086.00	1
	Bright Copper	R00.04.0096.00	1
	Antique Bronze	R00.04.0076.00	1
2	Locknut	02.20.270.00	2
3	Cap, Post	04.52.016.00	1
4	Nipple, Straight	02.20.359.00	1
5	Coiled Cord	02.18.253.00	1
6	T-Block	R02.15.030.00	1
7	Cord Grip	R02.20.259.00	1
8	Cord		
	NEMA 5-15P	R02.18.030.00	1
	CEE Schuko	02.18.077.00	1
	BS-1363	02.18.066.00	1
	AS-3112	02.18.104.00	1
9	Bulb		
	120 V, 250 W, White, Coated	02.30.069.00	1
	240 V, 250 W, White, Coated	02.30.100.00	1

Item	Description	Part Number	Qty.
10	Switch, Toggle	02.19.168.00	1
11	Post Base		
	Night Sky	04.52.219.00	1
	Sawgrass	04.52.220.00	1
	Gray Granite	04.52.221.00	1
	Bermuda Sand	04.52.222.00	1
12	Plate	04.52.217.00	1
13	Cover, Wire Box	04.52.133.00	1
14	Washers	05.11.056.00	4
15	Screws	05.04.819.00	4
16	Wire Box	04.52.131.00	1
17	Clamp Plate	04.52.218.00	1
18	Washers, Clamp Plate	05.11.013.00	4
19	Nuts, Clamp Plate	05.04.546.00	4
	Wiring Diagram		
	120 V	10-01-1107	
	230 V	10-01-1108	

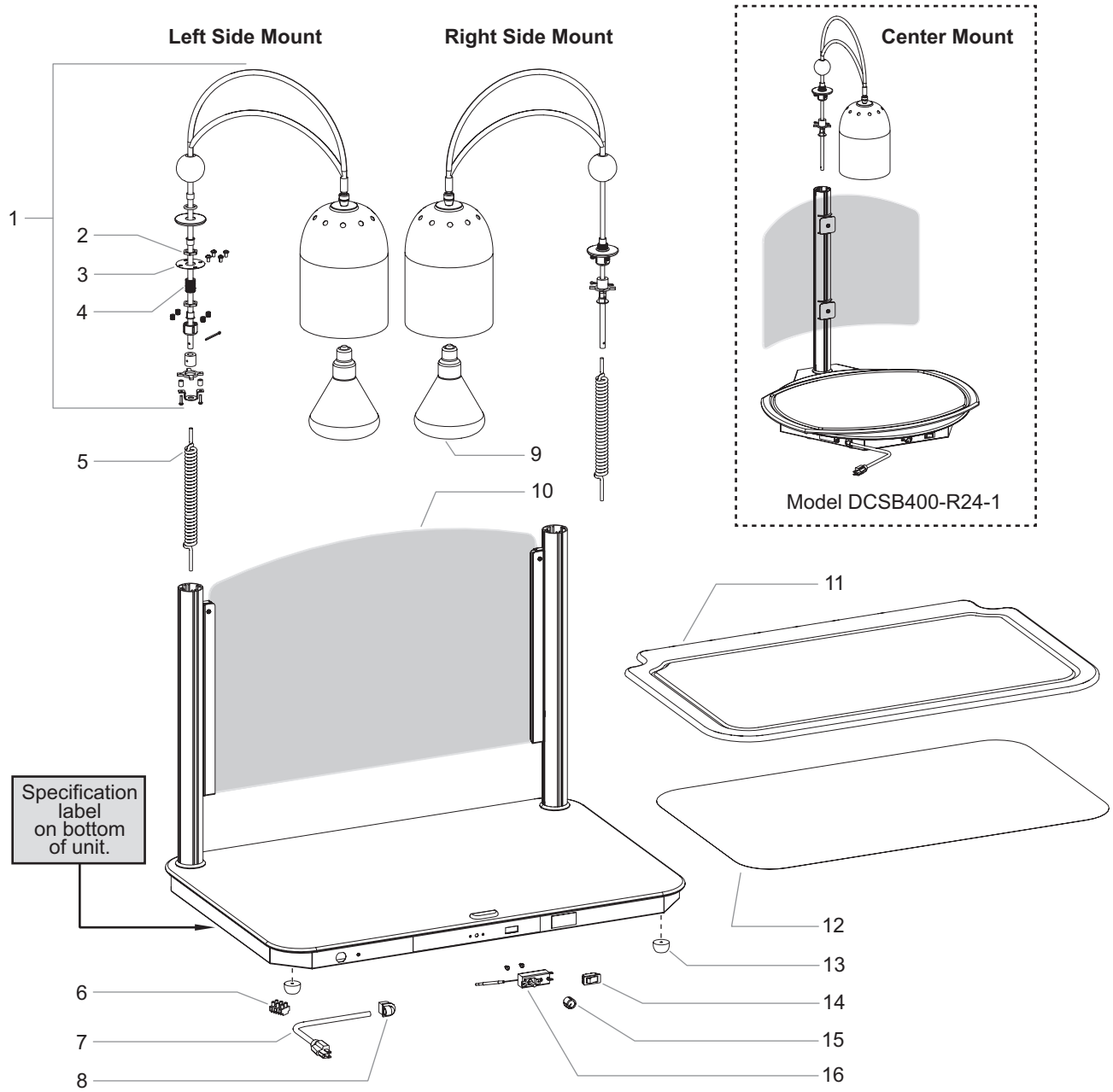
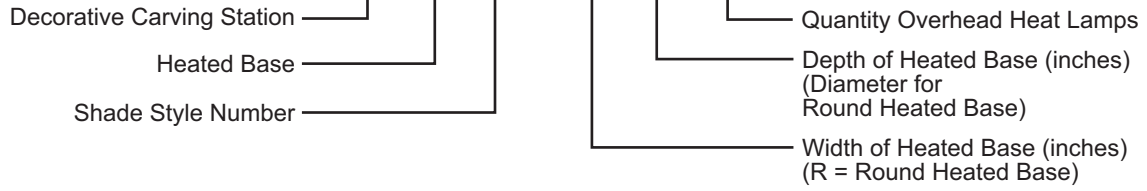
The shaded areas contain part information for **International models only.**

DECORATIVE CARVING STATION

DCSB400-2420-1, DCSB400-3624-2, and DCSB400-R24-1 Models

Model Designation

DCSB400-XXXX-X



Parts for DCSB400-2420-1, DCSB400-3624-2, and DCSB400-R24-1 Models

Item	Description	Part Number	Qty.
1	Hook Assembly, Center Mount (DCSB400-R24-1 Models only)		
	Bright Nickel	R00.04.0085.00	1
	Bright Brass	R00.04.0086.00	1
	Bright Copper	R00.04.0096.00	1
	Antique Bronze	R00.04.0076.00	1
	Hook Assembly, Right Side Mount (DCSB400-3624-2 Models only)		
	Bright Nickel	R00.04.0075.00	1
	Bright Brass	R00.04.0077.00	1
	Bright Copper	R00.04.0095.00	1
	Antique Bronze	R00.04.0084.00	1
	Hook Assembly, Left Side Mount (DCSB400-2420-1 and -3624-2 Models only)		
	Bright Nickel	R00.04.0072.00	1
	Bright Brass	R00.04.0073.00	1
	Bright Copper	R00.04.0094.00	1
	Antique Bronze	R00.04.0078.00	1
2	Locknut	02.20.270.00	2
3	Cap, Post	04.52.016.00	1
4	Nipple, Straight	02.20.359.00	1
5	Coiled Cord	02.18.253.00	1
6	T-Block	R02.15.030.00	1
7	Cord Grip		
	Right Angle	02.20.330.00	1
	Straight	02.20.212.00	1
8	Cord		
	NEMA 5-15P	R02.18.030.00	1
	CEE Schuko	02.18.077.00	1
	BS-1363	02.18.066.00	1
	AS-3112	02.18.104.00	1
9	Bulb		
	120 V, 250 W, White, Coated	02.30.069.00	1-2
	240 V, 250 W, White, Coated	02.30.100.00	1-2
10	Glass		
	DCSB400-R24-1 Model	04.40.330.00	1
	DCSB400-2420-1 Model	04.40.329.00	1
	DCSB400-3624-2 Model	04.40.344.00	1

Item	Description	Part Number	Qty.
11	Cutting Board, Swanstone		
	DCSB400-R24-1 Model		
	Night Sky	04.52.187.00	1
	Sawgrass	04.52.190.00	1
	Gray Granite	04.52.188.00	1
	Bermuda Sand	04.52.189.00	1
	DCSB400-2420-1 Model		
	Night Sky	04.52.191.00	1
	Sawgrass	04.52.192.00	1
	Gray Granite	04.52.193.00	1
	Bermuda Sand	04.52.194.00	1
	DCSB400-3624-2 Model		
	Night Sky	04.52.195.00	1
	Sawgrass	04.52.196.00	1
	Gray Granite	04.52.197.00	1
	Bermuda Sand	04.52.198.00	1
12	Blanket Heater		
	120 V, DCSB400-R24-1	02.05.708.00	1
	230 V, DCSB400-R24-1	02.05.714.00	1
	120 V, DCSB400-2420-1	02.05.710.00	1
	230 V, DCSB400-2420-1	02.05.715.00	1
	120 V, DCSB400-3624-2	02.05.711.00	1
	230 V, DCSB400-3624-2	02.05.716.00	1
13	Feet	R05.30.029.00	4-5
14	Rocker Switch	02.19.177.00	1
15	Knob, Thermostat	05.30.039.00	1
16	Thermostat	R02.16.066.00	1
	Wiring Diagram		
	DCSB400-R24-1		
	120 V	10-01-724	
	230 V	10-01-847	
	DCSB400-2420-1 and -3624-2		
	120 V, Single Lamp	10-01-724	
	230 V, Single Lamp	10-01-847	
	120 V, Dual Lamps	10-01-800	
	230 V, Dual Lamps	10-01-848	

The shaded areas contain part information for **International models only.**



24 Hour 7 Day Parts and Service Assistance available in the United States and Canada by calling 800-558-0607.



Use of replacement parts other than those supplied by Hatco Corporation may result in damage to unit or injury to personnel and will void all warranties.

AUTHORIZED PARTS DISTRIBUTORS • AUTORISÉS DISTRIBUTEURS DE PIÈCES

ALABAMA

Jones McLeod Appl. Svc.
Birmingham 205-251-0159

ARIZONA

Service Solutions Group
Phoenix 602-234-2443

Byassee Equipment Co.
Phoenix 602-252-0402

CALIFORNIA

Industrial Electric
Commercial Parts & Service, Inc.
Huntington Beach 714-379-7100

Chapman Appl. Service
San Diego 619-298-7106

P & D Appliance
Commercial Parts & Service, Inc.
S. San Francisco 650-635-1900

COLORADO

Hawkins Commercial Appliance
Englewood 303-781-5548

FLORIDA

Whaley Foodservice Repair
Jacksonville 904-725-7800

3Wire Nass Service Co., Inc.
Orlando 407-425-2681

B.G.S.I.
Pompano Beach 954-971-0456

Comm. Appliance Service
Tampa 813-663-0313

GEORGIA

TWC Services
Mableton 770-438-9797

Heritage Service Group
Norcross 866-388-9837

Southeastern Rest. Svc.
Norcross 770-446-6177

HAWAII

Burney's Comm. Service, Inc.
Honolulu 808-848-1466

Food Equip Parts & Service
Honolulu 808-847-4871

ILLINOIS

Parts Town
Lombard 708-865-7278

Eichenauer Elec. Service
Decatur 217-429-4229

Midwest Elec. Appl. Service
Elmhurst 630-279-8000

Cone's Repair Service
Moline 309-797-5323

INDIANA

GCS Service
Indianapolis 317-545-9655

IOWA

Goodwin Tucker Group
Des Moines 515-262-9308

KENTUCKY

Service Solutions Group
Lexington 859-254-8854

Service Solutions Group
Louisville 502-451-5411

LOUISIANA

Chandlers Parts & Service
Baton Rouge 225-272-6620

MARYLAND

Electric Motor Service
Baltimore 410-467-8080

GCS Service
Silver Spring 301-585-7550

MASSACHUSETTS

Ace Service Co., Inc.
Needham 781-449-4220

MICHIGAN

Bildons Appliance Service
Detroit 248-478-3320

Commercial Kitchen Service
Bay City 517-893-4561

Midwest Food Equip. Service
Grandville 616-261-2000

MINNESOTA

GCS Service
Plymouth 800-345-4221

MISSOURI

General Parts
Kansas City 816-421-5400

Commercial Kitchen Services
St. Louis 314-890-0700

Kaemmerlen Parts & Service
St. Louis 314-535-2222

NEBRASKA

Anderson Electric
Omaha 402-341-1414

NEVADA

Burney's Commercial
Las Vegas 702-736-0006

Hi. Tech Commercial Service
N. Las Vegas 702-649-4616

NEW JERSEY

Jay Hill Repair
Fairfield 973-575-9145

Service Plus
Flanders 973-691-6300

NEW YORK

Acme American Repairs, Inc.
Brooklyn 718-456-6544

Alpro Service Co.
Brooklyn 718-386-2515

Appliance Installation
Buffalo 716-884-7425

Duffy's Equipment Services, Inc.
Buffalo 800-836-1014

3Wire Northern
Plattsburgh 800-634-5005

Duffy's Equipment Services, Inc.
Sauquoit 800-836-1014

J.B. Brady, Inc.
Syracuse 315-422-9271

NORTH CAROLINA

Authorized Appliance
Charlotte 704-377-4501

OHIO

Akron/Canton Comm. Svc. Inc.
Akron 330-753-6635

Service Solutions Group
Cincinnati 513-772-6600

Commercial Parts and Service
Columbus 614-221-0057

Electrical Appl. Repair Service
Brooklyn Heights 216-459-8700

E. A. Wichman Co.
Toledo 419-385-9121

OKLAHOMA

Hagar Rest. Service, Inc.
Oklahoma City 405-235-2184

Krueger, Inc.
Oklahoma City 405-528-8883

OREGON

Ron's Service, Inc.
Portland 503-624-0890

PENNSYLVANIA

Elmer Schultz Services
Philadelphia 215-627-5401

FAST Comm. Appl. Service
Philadelphia 215-288-4800

Appliance Installation & Service
Pittsburgh 412-809-0244

K & D Service Co.
Harrisburg 717-236-9039

Electric Repair Co.
Reading 610-376-5444

RHODE ISLAND

Marshall Electric Co.
Providence 401-331-1163

SOUTH CAROLINA

Whaley Foodservice Repair
W. Columbia 803-791-4420

TENNESSEE

Camp Electric
Memphis 901-527-7543

TEXAS

GCS Service
Fort Worth 800-433-1804

Armstrong Repair Service
Houston 713-666-7100

Cooking Equipment Specialist
Mesquite 888-866-9276

Refrigerated Specialist, Inc.
Mesquite 888-866-9276

Commercial Kitchen Repair Co.
San Antonio 210-735-2811

UTAH

La Monica's Rest. Equip. Service
Murray 801-263-3221

VIRGINIA

Daubers
Norfolk 757-855-4097

Daubers
Springfield 703-866-3600

WASHINGTON

3Wire Restaurant Appliance
Seattle 800-207-3146

WISCONSIN

A.S.C., Inc.
Madison 608-246-3160

A.S.C., Inc.
Milwaukee 414-543-6460

CANADA

ALBERTA

Key Food Equipment Service
Edmonton 780-438-1690

BRITISH COLUMBIA

Key Food Equipment Service
Vancouver 604-433-4484

Key Food Equipment Service
Victoria 250-920-4888

MANITOBA

Air Rite, Inc.
Winnipeg 204-895-2300

NEW BRUNSWICK

EMR Services, Ltd.
Moncton 506-855-4228

ONTARIO

R.G. Henderson Ltd.
Toronto 416-422-5580

Choquette - CKS, Inc.
Ottawa 613-739-8458

QUÉBEC

Choquette - CKS, Inc.
Montreal 514-722-2000

Choquette - CKS, Inc.
Québec City 418-681-3944

UNITED KINGDOM

Marren Group
Northants +44(0)1933 665313

HATCO CORPORATION
P.O. Box 340500
Milwaukee, WI 53234-0500 U.S.A.
800-558-0607 414-671-6350
Parts and Service Fax 800-690-2966
International Fax 414-671-3976
partsandservice@hatcocorp.com
www.hatcocorp.com