



Register Online!
(see page 2)

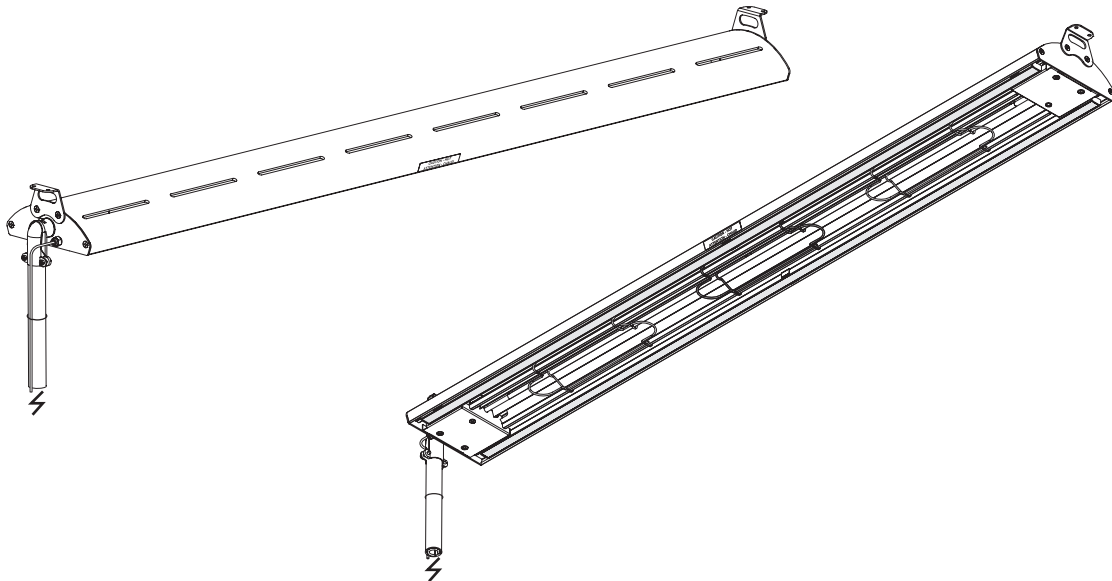
S'inscrire en ligne!
(voir page 13)



GLO-RAY®

Curved Infrared Strip Heaters Rampes chauffantes arrondies à infrarouge GR5AL Series/Série

Installation and Operating Manual Manuel d'installation et d'utilisation



⚠ WARNING

Do not operate this equipment unless you have read and understood the contents of this manual! Failure to follow the instructions contained in this manual may result in serious injury or death. This manual contains important safety information concerning the maintenance, use, and operation of this product. If you're unable to understand the contents of this manual, please bring it to the attention of your supervisor. Keep this manual in a safe location for future reference.

English = p 2

⚠ ADVERTENCIA

No opere este equipo al menos que haya leído y comprendido el contenido de este manual! Cualquier falla en el seguimiento de las instrucciones contenidas en este manual puede resultar en un serio lesión o muerte. Este manual contiene importante información sobre seguridad concerniente al mantenimiento, uso y operación de este producto. Si usted no puede entender el contenido de este manual por favor pregunte a su supervisor. Almacenar este manual en una localización segura para la referencia futura.

⚠ AVERTISSEMENT

Ne pas utiliser cet équipement sans avoir lu et compris le contenu de ce manuel! Le non-respect des instructions contenues dans ce manuel peut entraîner de graves blessures ou la mort. Ce manuel contient des informations importantes concernant l'entretien, l'utilisation et le fonctionnement de ce produit. Si vous ne comprenez pas le contenu de ce manuel, veuillez le signaler à votre supérieur. Conservez ce manuel dans un endroit sûr pour pouvoir vous y référer plus tard.

Français = p 13

Important Owner Information..... 2
Introduction..... 2
Important Safety Information 3
Model Description 4
Model Designation 4
Specifications 4
 Dimensions — Strip Heater 4
 Dimensions — Control Box 5
 Electrical Ratings Charts 5
Installation..... 6
 General 6
 Installation Site Requirements 7
 Installing the Unit 7
 Installing the Control Box 8

Operation..... 9
 General 9
Maintenance..... 10
 General 10
 Daily Cleaning 10
 Replacing a Display Light 10
Troubleshooting Guide 11
Limited Warranty 12
Authorized Parts Distributors Back Cover

IMPORTANT OWNER INFORMATION

Record the model number, serial number, voltage, and purchase date of your strip heater in the spaces below (specification label located on the underside of the unit). Please have this information available when calling Hatco for service assistance.

Model No. _____

Serial No. _____

Voltage _____

Date of Purchase _____

Register your unit!

Completing online warranty registration will prevent delay in obtaining warranty coverage. Access the Hatco website at www.hatcocorp.com, select the *Parts & Service* pull-down menu, and click on "Warranty Registration".

Business Hours: 7:00 AM to 5:00 PM Central Standard Time (CST)
(Summer Hours: June to September—
7:00 AM to 5:00 PM CST Monday–Thursday
7:00 AM to 4:00 PM CST Friday)

Telephone: 800-558-0607; 414-671-6350

E-mail: partsandservice@hatcocorp.com



24 Hour 7 Day Parts and Service Assistance available in the United States and Canada by calling 800-558-0607.

Additional information can be found by visiting our web site at www.hatcocorp.com.

INTRODUCTION

Hatco Glo-Ray® Curved Infrared Strip Heaters keep hot foods at optimum serving temperatures longer. The sleek, curved design minimizes the strip heaters size while accenting and warming the food product below. Specially designed reflectors direct the heat from the element to safely maintain peak serving temperatures longer without cooking the food beyond the point of excellence. Glo-Ray Curved Strip Heaters are perfect for front-of-the-house applications such as buffet and serving lines.

Glo-Ray Curved Infrared Strip Heaters are products of extensive research and field testing. The materials used were selected for maximum durability, attractive appearance, and optimum performance. Every unit is inspected and tested thoroughly prior to shipment.

This manual provides the installation, safety, and operating instructions for Glo-Ray Curved Infrared Strip Heaters. Hatco recommends all installation, operating, and safety instructions appearing in this manual be read prior to installation or operation of a unit.

Safety information that appears in this manual is identified by the following signal word panels:



WARNING indicates a hazardous situation which, if not avoided, could result in death or serious injury.



CAUTION indicates a hazardous situation which, if not avoided, could result in minor or moderate injury.



NOTICE is used to address practices not related to personal injury.



Read the following important safety information before using this equipment to avoid serious injury or death and to avoid damage to equipment or property.

WARNING

ELECTRIC SHOCK HAZARD:

- Units require a hardwired connection to on-site electrical system. Connection must be properly grounded and of correct voltage, size, and configuration for electrical specifications of unit. Contact a qualified electrician to determine and install proper electrical connection.
- Unit must be installed by a qualified electrician. Installation must conform to all local electrical codes. Installation by unqualified personnel will void unit warranty and may lead to electric shock or burn, as well as damage to unit and/or its surroundings.
- Control box must be mounted in a vertical surface. Mounting control box in a horizontal surface may result in the collection of liquids and lead to electric shock.
- Turn OFF power switch, turn off power at circuit breaker, and allow unit to cool before performing any cleaning, adjustments, or maintenance.
- DO NOT submerge or saturate with water. Unit is not waterproof. Do not operate if unit has been submerged or saturated with water.
- This unit is not “jet-proof” construction. Do not use jet-clean spray to clean this unit.
- Do not steam clean or use excessive water on unit.
- Use only Genuine Hatco Replacement Parts when service is required. Failure to use Genuine Hatco Replacement Parts will void all warranties and may subject operators of the equipment to hazardous electrical voltage, resulting in electrical shock or burn. Genuine Hatco Replacement Parts are specified to operate safely in the environments in which they are used. Some after-market or generic replacement parts do not have the characteristics that will allow them to operate safely in Hatco equipment.

FIRE HAZARD:

- Do not install high wattage units above or around combustible surfaces. Discoloration or combustion could occur. High wattage units must be installed in non-combustible surroundings only.
- Make sure to follow the installation information listed below for specific strip heaters. If safe distances are not maintained, discoloration or combustion could occur.
 - a. Do not install standard wattage strip heaters (GR5AL models) less than 11" (279 mm) above combustible surfaces.
 - b. Do not install high wattage strip heaters (GR5AHL models) less than 10" (254 mm) above non-combustible surfaces.
 - c. Do not install standard wattage units less than 1" (25 mm) away from a combustible wall or adjacent surface.

EXPLOSION HAZARD: Do not store or use gasoline or other flammable vapors or liquids in the vicinity of this or any other appliance.

Make sure all operators have been instructed on the safe and proper use of the unit.

WARNING

This unit is not intended for use by children or persons with reduced physical, sensory, or mental capabilities. Ensure proper supervision of children and keep them away from the unit.

Use only Hatco-approved LED light assemblies that are designed specifically for food holding areas. Using LED light assemblies not designed for food holding areas could result in personal injury and/or food contamination.

Make sure food product has been heated to the proper food-safe temperature before placing in unit. Failure to heat food product properly may result in serious health risks. This unit is for holding pre-heated food product only.

This unit has no “user-serviceable” parts. If service is required on this unit, contact an Authorized Hatco Service Agent or contact the Hatco Service Department at 800-558-0607 or 414-671-6350.

CAUTION

BURN HAZARD: Some exterior surfaces on the unit will get hot. Use caution when touching these areas.

Standard and approved manufacturing oils may smoke up to 30 minutes during initial startup. This is a temporary condition. Operate unit without food product until smoke dissipates.

To ensure safe and proper operation, refer to “Installation Site Requirements” in the INSTALLATION section of this manual.

NOTICE

Units are voltage-specific. Refer to specification label for electrical requirements before beginning installation.

Do not add a decorative soffit to hide a pass-through mounted strip heater. Excessive heat can cause unit failure.

Install remote-mounted control box outside of areas subject to temperatures above 104°F (40°C). Excessive temperatures will cause controls to overheat, malfunction, and fail.

Damage to any countertop material caused by heat generated from Hatco equipment is not covered under the Hatco warranty. Contact the manufacturer of the countertop material for application information.

Use non-abrasive cleaners and cloths only. Abrasive cleaners and cloths could scratch the finish of the unit, marring its appearance and making it susceptible to soil accumulation.

Do not locate unit in area with excessive air movement around unit. Avoid areas that may be subject to active air movements or currents (i.e., near exhaust fans/hoods, air conditioning ducts, and exterior doors).

MODEL DESCRIPTION

English

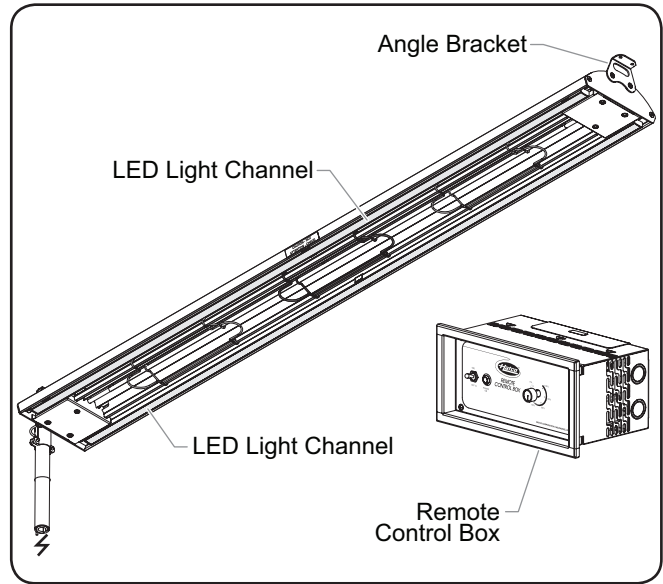
All Models

All Glo-Ray® Curved Infrared Strip Heaters consist of a curved, aluminum housing that is ideal for installation in tight spaces. Dual LED light channels provide display lighting to accent the food product below. Controls are housed in a remote-mounted control box and include an ON/OFF (I/O) Toggle Switch, a POWER ON Indicator Light, and a Heat Control Knob. Finish options include several *Designer* colors and gloss finishes.

Curved Infrared Strip Heaters are available in standard or high wattage configurations in widths of 18"–72" (457–1829 mm).

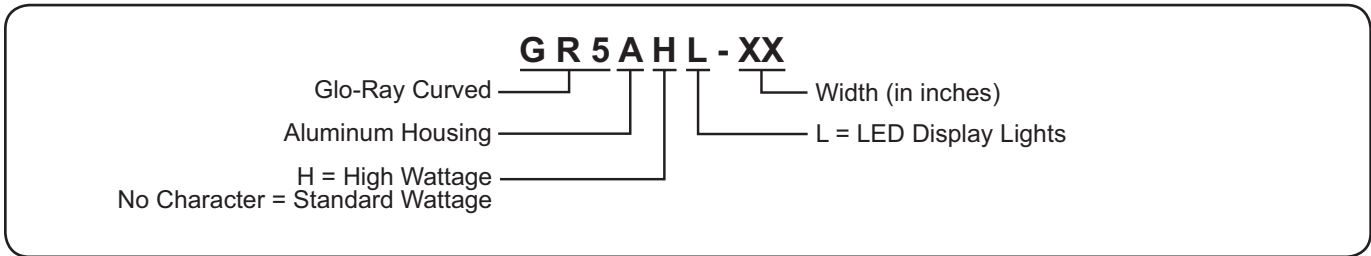
Curved Infrared Strip Heaters are supplied with angle brackets for under-shelf mounting. The standard 5' (1524 mm) element wire leads are housed in 3' (914 mm) of conduit. The standard LED wire leads are 18" (457 mm) longer than the element wire leads.

NOTE: Units can be ordered with up to 10' (3 m) of element wire leads, depending on the installation location of the control box. The LED wire leads always will be 18" (457 mm) longer than the element wire leads.



GR5AL Series Strip Heater

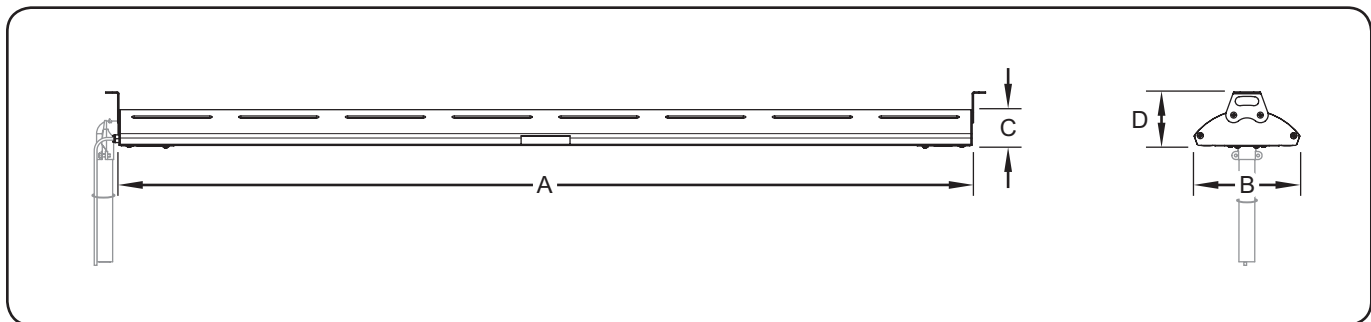
MODEL DESIGNATION



SPECIFICATIONS

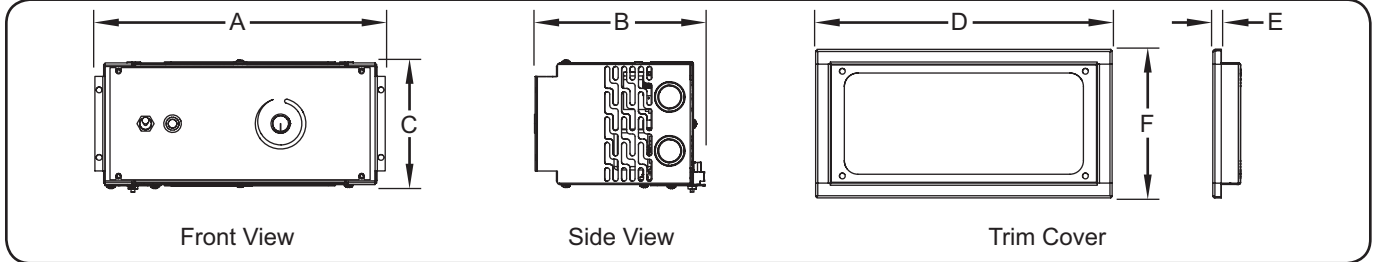
Dimensions — Strip Heater

| Model | Width (A) | Depth (B) | Unit Height (C) | Overall Height (D) |
|------------------|--------------------------|----------------------|-----------------|--------------------|
| GR5AL and GR5AHL | 18"–72" (457–1829 mm) | 5-15/16" (149 mm) | 2" (51 mm) | 3" (76 mm) |



Dimensions — Control Box

| Model | Width (A) | Depth (B) | Height (C) | Cover Width (D) | Cover Depth (E) | Cover Height (F) |
|-------------|---------------------|--------------------|--------------------|-----------------|-----------------|--------------------|
| Control Box | 10-1/8" (257 mm) | 6-1/4" (159 mm) | 4-3/4" (120 mm) | 11" (279 mm) | 5/16" (8 mm) | 5-1/2" (140 mm) |



NOTE: Make sure the control box installation location provides enough space behind the vertical surface for the depth of the control box and electrical connections.

NOTE: Shipping weights shown below are estimates.

Electrical Ratings Chart — GR5AL Models

| Model | Voltage | Amps | Watts | Shipping Weight |
|----------|---------|------|-------|--------------------|
| GR5AL-18 | 120 | 2.2 | 254 | 13 lbs. (6 kg) |
| | 208 | 1.2 | | |
| | 240 | 1.1 | | |
| GR5AL-24 | 120 | 3.0 | 356 | 14 lbs. (7 kg) |
| | 208 | 1.7 | | |
| | 240 | 1.5 | | |
| GR5AL-30 | 120 | 3.9 | 458 | 15 lbs. (7 kg) |
| | 208 | 2.2 | | |
| | 240 | 1.9 | | |
| GR5AL-36 | 120 | 4.9 | 584 | 17 lbs. (8 kg) |
| | 208 | 2.9 | | |
| | 240 | 2.5 | | |
| GR5AL-42 | 120 | 5.8 | 686 | 18 lbs. (9 kg) |
| | 208 | 3.3 | | |
| | 240 | 2.9 | | |
| GR5AL-48 | 120 | 6.9 | 812 | 20 lbs. (9 kg) |
| | 208 | 4.0 | | |
| | 240 | 3.4 | | |
| GR5AL-54 | 120 | 7.9 | 939 | 21 lbs. (10 kg) |
| | 208 | 4.6 | | |
| | 240 | 4.0 | | |
| GR5AL-60 | 120 | 9.0 | 1066 | 22 lbs. (10 kg) |
| | 208 | 5.2 | | |
| | 240 | 4.5 | | |
| GR5AL-66 | 120 | 10.0 | 1177 | 24 lbs. (11 kg) |
| | 208 | 5.7 | | |
| | 240 | 5.0 | | |
| GR5AL-72 | 120 | 10.9 | 1294 | 25 lbs. (12 kg) |
| | 208 | 6.3 | | |
| | 240 | 5.5 | | |

Electrical Ratings Chart — GR5AHL Models

| Model | Voltage | Amps | Watts | Shipping Weight |
|-----------|---------|------|-------|--------------------|
| GR5AHL-18 | 120 | 3.0 | 354 | 13 lbs. (6 kg) |
| | 208 | 1.7 | | |
| | 240 | 1.5 | | |
| GR5AHL-24 | 120 | 4.3 | 506 | 14 lbs. (7 kg) |
| | 208 | 2.5 | | |
| | 240 | 2.1 | | |
| GR5AHL-30 | 120 | 5.6 | 668 | 15 lbs. (7 kg) |
| | 208 | 3.2 | | |
| | 240 | 2.8 | | |
| GR5AHL-36 | 120 | 6.8 | 809 | 17 lbs. (8 kg) |
| | 208 | 3.9 | | |
| | 240 | 3.4 | | |
| GR5AHL-42 | 120 | 8.1 | 961 | 18 lbs. (9 kg) |
| | 208 | 4.7 | | |
| | 240 | 4.0 | | |
| GR5AHL-48 | 120 | 9.4 | 1112 | 20 lbs. (9 kg) |
| | 208 | 5.4 | | |
| | 240 | 4.7 | | |
| GR5AHL-54 | 120 | 10.7 | 1264 | 21 lbs. (10 kg) |
| | 208 | 6.1 | | |
| | 240 | 5.3 | | |
| GR5AHL-60 | 120 | 11.9 | 1416 | 22 lbs. (10 kg) |
| | 208 | 6.9 | | |
| | 240 | 6.0 | | |
| GR5AHL-66 | 120 | 13.3 | 1577 | 24 lbs. (11 kg) |
| | 208 | 7.7 | | |
| | 240 | 6.6 | | |
| GR5AHL-72 | 120 | 14.7 | 1744 | 25 lbs. (12 kg) |
| | 208 | 8.5 | | |
| | 240 | 7.3 | | |

General

Use the information in this section to install a Glo-Ray® Curved Infrared Strip Heater. Strip heaters are shipped with most components pre-assembled.



WARNING

ELECTRIC SHOCK HAZARD:

- Units require a hardwired connection to on-site electrical system. Connection must be properly grounded and of correct voltage, size, and configuration for electrical specifications of unit. Contact a qualified electrician to determine and install proper electrical connection.
- Unit must be installed by a qualified electrician. Installation must conform to all local electrical codes. Installation by unqualified personnel will void unit warranty and may lead to electric shock or burn, as well as damage to unit and/or its surroundings.

FIRE HAZARD:

- Do not install high wattage units above or around combustible surfaces. Discoloration or combustion could occur. High wattage units must be installed in non-combustible surroundings only.
- Make sure to follow the installation information listed below for specific strip heaters. If safe distances are not maintained, discoloration or combustion could occur.
 - a. Do not install standard wattage strip heaters (GR5AL models) less than 11" (279 mm) above combustible surfaces.
 - b. Do not install high wattage strip heaters (GR5AHL models) less than 10" (254 mm) above non-combustible surfaces.
 - c. Do not install standard wattage units less than 1" (25 mm) away from a combustible wall or adjacent surface.



CAUTION

To ensure safe and proper operation, refer to "Installation Site Requirements" in the INSTALLATION section of this manual.



NOTICE

Units are voltage-specific. Refer to specification label for electrical requirements before beginning installation.

Do not add a decorative soffit to hide a pass-through mounted strip heater. Excessive heat can cause unit failure.

Damage to any countertop material caused by heat generated from Hatco equipment is not covered under the Hatco warranty. Contact the manufacturer of the countertop material for application information.

NOTE: Contact the manufacturer of the countertop base material for application information and surface temperature limits before installing the unit.

1. Remove the unit from the shipping carton, and remove all packing materials.

NOTE: To prevent delay in obtaining warranty coverage, complete online warranty registration. See the IMPORTANT OWNER INFORMATION section for details.

2. Remove tape and protective packaging from all surfaces of the unit.
3. Install the unit in an appropriate location. Refer to "Installation Site Requirements" and the "Installing the Unit" procedure in this section.
 - Locate the unit in an area where the ambient air temperature is constant and a minimum of 70°F (21°C). Avoid areas that may be subject to active air movements or currents (i.e., near exhaust fans/hoods, air conditioning ducts, and exterior doors).
 - Verify that minimum clearance requirements and recommended mounting heights are met. Refer to "Installation Site Requirements" in this section.
 - GR5AL Series strip heaters can be installed over a steam table. Follow the standard minimum clearance requirements.
4. Install the control box in the desired location. Refer to "Installing the Control Box" procedure in this section.

Installation Site Requirements

The installation site must meet specific requirements for safe and proper installation of the unit.

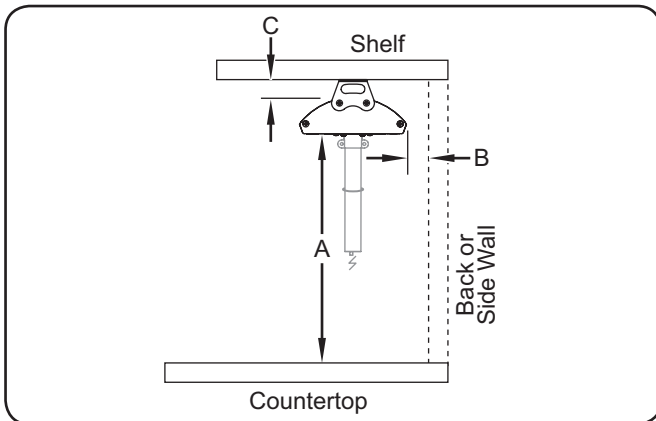
- Make sure the countertop material is designed to withstand long periods of hot food holding temperatures. Contact the manufacturer of the countertop material for application information.
- Make sure the installation site provides the proper minimum clearances for adjacent surfaces.

Minimum Clearance Requirements—Combustible Surroundings

| Model | A | B | C |
|-------|-----------------|---------------|---------------|
| GR5AL | 11" (279 mm) | 1" (25 mm) | 1" (25 mm) |

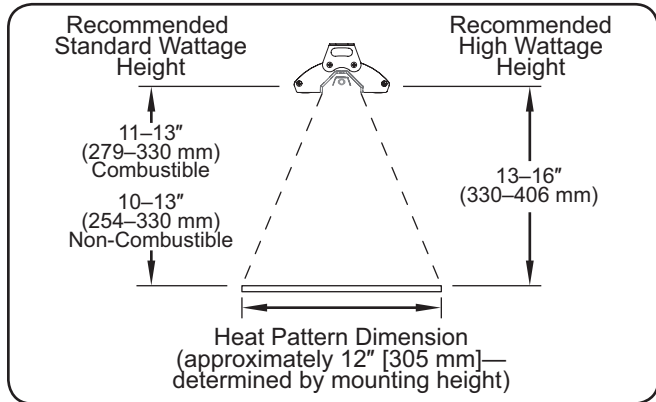
Minimum Clearance Requirements—Non-Combustible Surroundings

| Model | A | B | C |
|--------|-----------------|--------------|---------------|
| GR5AL | 10" (254 mm) | 0" (0 mm) | 1" (25 mm) |
| GR5AHL | 10" (254 mm) | 0" (0 mm) | 1" (25 mm) |



GR5AL Series Minimum Clearances

NOTE: GR5AL Series strip heaters can be installed over a steam table. Follow the minimum clearance requirements for non-combustible surroundings.



Recommended Element Height for the GR5AL Series in all widths

NOTE: The size of heat pattern will vary depending on the height of the unit.

Installing the Unit

Use the following procedure to install the unit using the supplied angle brackets.

NOTE: Units can be ordered with up to 10' (3 m) of element wire leads, depending on the installation location of the control box. The LED wire leads always will be 18" (457 mm) longer than the element wire leads.

NOTICE

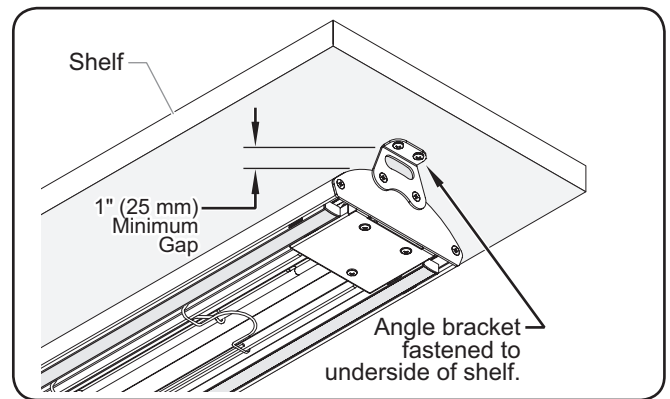
Damage to any countertop material caused by heat generated from Hatco equipment is not covered under the Hatco warranty. Contact manufacturer of countertop material for application information.

1. Determine the exact mounting location on the underside of the shelf.

NOTE: The attached angle brackets provide 1" (25 mm) clearance between the unit and an overshelf.

NOTE: Units can be mounted to a flat shelf or a shelf with rolled/flanged edges. The unit must be installed with the minimum 1" (25 mm) clearance measured from the lowest part of the overshelf. For example, a shelf with a 1" (25 mm) flanged edge would require the unit to be installed 2" (51 mm) below the underside of the shelf.

2. Fasten the angle brackets to the underside of the shelf using appropriate fasteners (not supplied by Hatco). Make sure the unit is facing the desired direction with the wire leads on the proper side before fastening the unit to the shelf.



Flat Shelf Installation

3. Route the element wire leads and LED wire leads toward the installation location for the control box.

NOTE: Curved Infrared Strip Heaters with lights (GR5AL and GR5AHL models) require two separate power supplies from the control box. A high voltage supply for the heating element and a low voltage supply for the LED light channels.

Installing the Control Box

Use the following procedure to install the GR5AL Series control box.

NOTE: Units can be ordered with up to 10' (3 m) of element wire leads, depending on the installation location of the control box. The LED wire leads always will be 18" (457 mm) longer than the element wire leads.



Control box must be mounted in a vertical surface. Mounting control box in a horizontal surface may result in the collection of liquids and lead to electric shock.



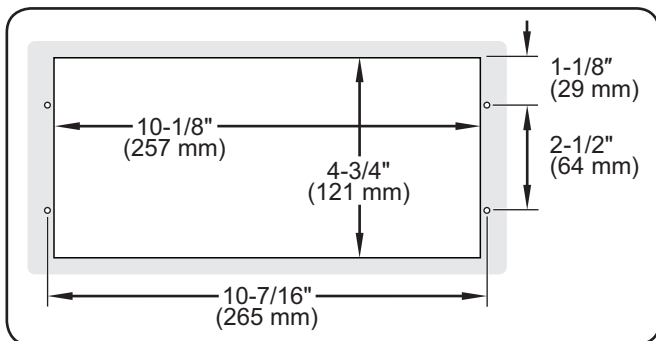
Install remote-mounted control box outside of areas subject to temperatures above 104°F (40°C). Excessive temperatures will cause controls to overheat, malfunction, and fail.

IMPORTANT NOTE:

Remote-mounted control boxes must be installed in a cool, dry location as far away from any heat zone as possible. Do not mount control boxes directly on, under, or above unit. Do not mount control boxes in direct contact with any heated surface or near any steam generating equipment.

1. Cut and drill the appropriate holes in the vertical surface where the control box will be installed. Refer to the illustration below for cutout and screw hole dimensions.

NOTE: Make sure the control box installation location provides enough space behind the vertical surface for the depth of the control box and electrical connections.



GR5AL Series Control Box Cutout and Screw Hole Dimensions

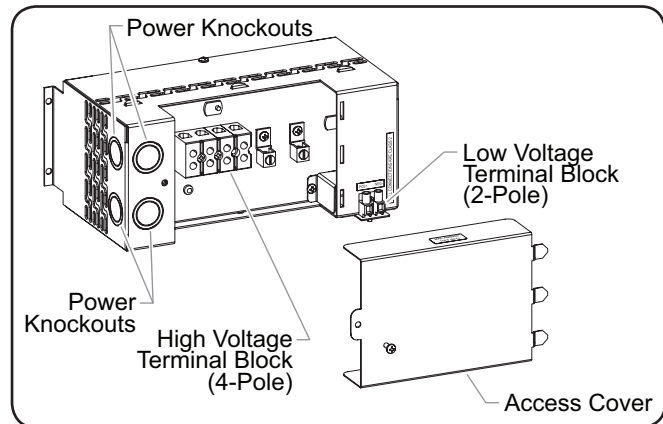
NOTE: Make sure the width of the control box cutout does not exceed the above dimension.

2. Complete the routing of the element wire leads and the LED wire leads from the unit to meet up with the control box through the cutout.

NOTE: Curved Infrared Strip Heaters with lights (GR5AL and GR5AHL models) require two separate power supplies from the control box. A high voltage supply for the heating element and a low voltage supply for the LED light channels.

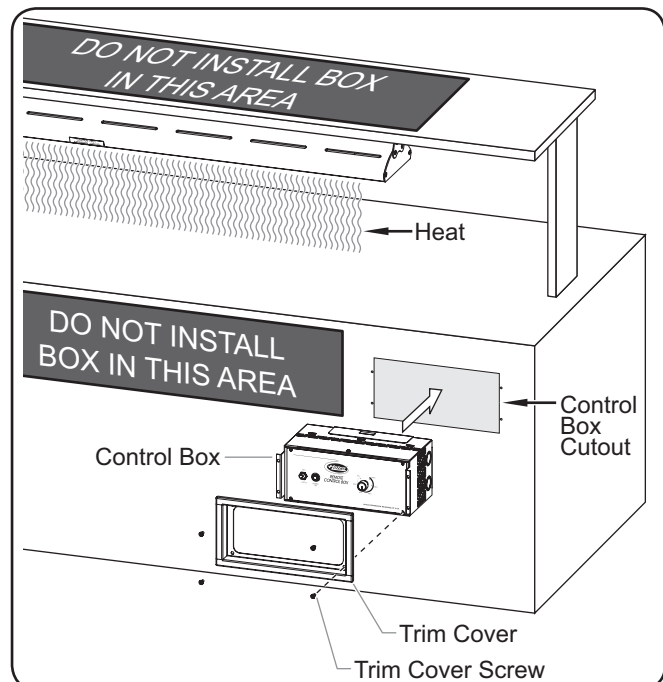
3. Route the wire leads from the on-site power supply to meet up with the control box through the cutout.
4. Remove the four trim cover screws from the control box, and remove the trim cover.

5. Have a qualified electrician make the appropriate electrical connections to the control box. Refer to the wiring diagram included with the unit.
 - a. Connect the LED wire leads from the unit to the low voltage 2-pole terminal block on the outside of the control box.
 - b. Connect the element wire leads from the unit, through a power knockout, to the high voltage 4-pole terminal block inside the access cover of the control box.
 - c. Connect the on-site power supply through a power knockout, to the high voltage 4-pole terminal block inside the access cover of the control box.



Control Box Electrical Connections

6. Position the control box into the cutout opening through the front side. Make sure that none of the electrical wires are pinched or stressed.
7. Fasten the control box to the vertical surface using four screws (not supplied).
8. Reinstall the trim cover on the control box and secure in position using the four trim cover screws. Seal the front cover to the mounting surface with silicone adhesive.



Installing the Control Box

General

Glo-Ray® Curved Infrared Strip Heaters are designed for ease of operation. Use the following information and procedures to operate the unit.

⚠ WARNING

Read all safety messages in the **IMPORTANT SAFETY INFORMATION** section before operating this equipment.

⚠ CAUTION

BURN HAZARD: Some exterior surfaces on unit will get hot. Use caution when touching these areas.

Standard and approved manufacturing oils may smoke up to 30 minutes during initial startup. This is a temporary condition. Operate unit without food product until smoke dissipates.

Controls

Curved Infrared Strip Heaters come standard with a remote-mounted control box. The following is a list of the controls in the control box.

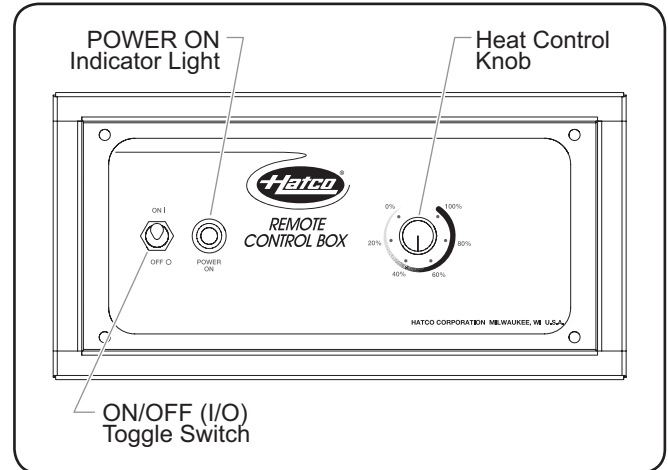
ON/OFF (I/O) Toggle Switch—Turns power on and off to the heating elements and the LED light channels.

Heat Control Knob—Infinite-style switch that controls the temperature of the heating element.

POWER ON Indicator Light—Illuminates when power is on, and shuts off when power is off.

Startup

1. Move the ON/OFF (I/O) toggle switch to the ON (I) position.
 - The POWER ON indicator light will illuminate, the heating element will energize, and the LED light channels will illuminate.
2. Turn the Heat Control Knob to the desired setting.
3. Allow 30 minutes to reach operating temperature before holding preheated food product underneath the strip heater.



GR5A Series Control Box

Shutdown

1. Move the ON/OFF (I/O) toggle switch to the OFF (O) position.
 - The POWER ON indicator light will shut off, the LED lights will shut off, and the heating elements will shut down.

General

Glo-Ray® Curved Infrared Strip Heaters are designed for maximum durability and performance with minimum maintenance.



ELECTRIC SHOCK HAZARD:

- Turn OFF power switch, turn off power at circuit breaker, and allow unit to cool before performing any cleaning, adjustments, or maintenance.
- DO NOT submerge or saturate with water. Unit is not waterproof. Do not operate if unit has been submerged or saturated with water.
- This unit is not “jet-proof” construction. Do not use jet-clean spray to clean this unit.
- Do not steam clean or use excessive water on unit.
- Use only Genuine Hatco Replacement Parts when service is required. Failure to use Genuine Hatco Replacement Parts will void all warranties and may subject operators of the equipment to hazardous electrical voltage, resulting in electrical shock or burn. Genuine Hatco Replacement Parts are specified to operate safely in the environments in which they are used. Some after-market or generic replacement parts do not have the characteristics that will allow them to operate safely in Hatco equipment.

This unit has no “user-serviceable” parts. If service is required on this unit, contact an Authorized Hatco Service Agent or contact the Hatco Service Department at 800-558-0607 or 414-671-6350.

Use only Hatco-approved LED light assemblies that are designed specifically for food holding areas. Using LED light assemblies not designed for food holding areas could result in personal injury and/or food contamination.

NOTICE

Use non-abrasive cleaners and cloths only. Abrasive cleaners and cloths could scratch the finish of the unit, marring its appearance and making it susceptible to soil accumulation.

Daily Cleaning

To preserve the finish of the strip heater, it is recommended that all surfaces be cleaned daily.

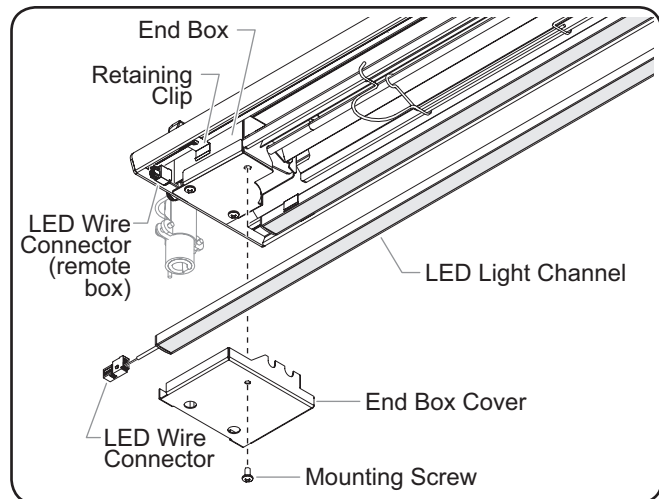
1. Turn off the unit and allow the unit to cool.
2. Wipe down all metal surfaces with a water-dampened, non-abrasive cloth. Stubborn stains may be removed with a good stainless steel or non-abrasive cleaner. Clean hard to reach areas using a small brush and mild soap.
3. Wipe dry the entire unit using a non-abrasive, dry cloth.

Replacing a Display Light

The display lights consist of two LED light channels that illuminate the warming area. These light channels have special covers to guard against injury and food contamination in the event of breakage.

To replace a LED light channel:

1. Turn off the unit, allow the unit to cool, and disconnect the power supply at the circuit breaker.
2. Remove the end box cover underneath the power supply end of the unit. To remove the end plate:
 - a. Remove the mounting screw that secures the end box cover to the end box.
 - b. Remove the end box cover.
3. Release and remove the LED light channel from three retaining clips—one on each end of the channel and one in the middle.
 - At each retaining clip location, grasp the inside edge of the light channel, and carefully pull the channel down and out of the clip.
4. Disconnect the LED wire lead connectors located where the end box cover was removed.



Replacing a Display Light

5. Connect the new LED light channel wire lead to the remote box LED wire lead.
6. Position the new LED light channel in the unit, and carefully snap it into each retaining clip.
7. Tuck the LED wire leads neatly up into the space between the light channel and the end box.
8. Position the end box cover over the end box, and secure using the mounting screw.

NOTE: Hatco LED light channels meet NSF standards for food holding and display areas. For replacement LED light channels part numbers, refer to the GR5AL Series Replacement Parts List on the Hatco website (www.hatcocorp.com).



This unit must be serviced by qualified personnel only. Service by unqualified personnel may lead to electric shock or burn.



ELECTRIC SHOCK HAZARD: Turn OFF power switch, turn off power at circuit breaker, and allow unit to cool before performing any cleaning, adjustments, or maintenance.

| Symptom | Probable Cause | Corrective Action |
|---|---|---|
| Unit is turned "On" but there is no heat. | No power to unit. | Check circuit breaker and reset as necessary. |
| | Switch is defective. | Contact Authorized Service Agent or Hatco for assistance. |
| | Wiring is open. | Contact Authorized Service Agent or Hatco for assistance. |
| | Heating element defective. | Contact Authorized Service Agent or Hatco for assistance. |
| Heat is inadequate. | Unit mounted too high above target area. | Lower unit, putting effective heat closer to target. |
| | Excessive air movement around strip heater target area. | Restrict or redirect air movement (air conditioning duct or exhaust fan) away from unit. |
| | Heat control set too low. | Increase heat control setting. |
| | Incorrect power supply (low). | Check power supply to unit, making sure it matches rating on the unit. If power supply is incorrect, change to match rating on unit. |
| Heat is excessive. | Unit mounted too close to target area. | Check to see that installation is within specifications for type/model. Increase mounting height if too close. |
| | Heat control set too high. | Decrease heat control setting. |
| | Voltage supply too high. | Check power supply to unit, making sure it matches rating on unit. If power supply is incorrect, change to match rating. |
| Control switches burn out. | Unit mounted improperly. | Move the unit the proper distance away from walls, counters, and/or pass-through shelves. Refer to the INSTALLATION section for guidelines. |
| | Remote control box is mounted too close to the heat zone. | Move remote control box away from the heat zone. The maximum ambient temperature allowed for the control box is 104°F (40°C). |
| | Switches used are not Hatco supplied. | Genuine Hatco Parts are specified to operate safely and properly in the environment in which they are used. Contact Authorized Service Agent or Hatco to replace switches with Genuine Hatco Replacement Parts. |

Troubleshooting Questions?

If you continue to have problems resolving an issue, please contact the nearest Authorized Hatco Service Agency or Hatco for assistance. To locate the nearest Service Agency, log onto the Hatco website at www.hatcocorp.com and click on *Find Service Agent*, or contact the **Hatco Parts and Service Team** at:

Telephone: 800-558-0607 or 414-671-6350

e-mail: partsandservice@hatcocorp.com

1. PRODUCT WARRANTY

Hatco warrants the products that it manufactures (the "Products") to be free from defects in materials and workmanship, under normal use and service, for a period of one (1) year from the date of purchase when installed and maintained in accordance with Hatco's written instructions or 18 months from the date of shipment from Hatco. Buyer must establish the Product's purchase date by registering the Product with Hatco or by other means satisfactory to Hatco in its sole discretion.

Hatco warrants the following Product components to be free from defects in materials and workmanship from the date of purchase (subject to the foregoing conditions) for the period(s) of time and on the conditions listed below:

a) One (1) Year Parts and Labor PLUS One (1) Additional Year Parts-Only Warranty:

Conveyor Toaster Elements (metal sheathed)
Drawer Warmer Elements (metal sheathed)
Drawer Warmer Drawer Rollers and Slides
Strip Heater Elements (metal sheathed)
Display Warmer Elements (metal sheathed air heating)
Holding Cabinet Elements (metal sheathed air heating)
Heated Well Elements — HW and HWB Series
(metal sheathed)

b) One (1) Year Parts and Labor PLUS Four (4) Years Parts-Only Warranty:

3CS and FR Tanks

c) One (1) Year Parts and Labor PLUS Nine (9) Years Parts-Only Warranty on:

Electric Booster Heater Tanks
Gas Booster Heater Tanks

d) Ninety (90) Day Parts-Only Warranty:

Replacement Parts

THE FOREGOING WARRANTIES ARE EXCLUSIVE AND IN LIEU OF ANY OTHER WARRANTY, EXPRESSED OR IMPLIED, INCLUDING BUT NOT LIMITED TO ANY IMPLIED WARRANTY OF MERCHANTABILITY OR FITNESS FOR A PARTICULAR PURPOSE OR PATENT OR OTHER INTELLECTUAL PROPERTY RIGHT INFRINGEMENT. Without limiting the generality of the foregoing, SUCH WARRANTIES DO NOT COVER: Coated incandescent light bulbs, fluorescent lights, heat lamp bulbs, coated halogen light bulbs, halogen heat lamp bulbs, xenon light bulbs, LED light tubes, glass components, and fuses; Product failure in booster tank, fin tube heat exchanger, or other water heating equipment caused by liming, sediment buildup, chemical attack, or freezing; or Product misuse, tampering or misapplication, improper installation, or application of improper voltage.

2. LIMITATION OF REMEDIES AND DAMAGES

Hatco's liability and Buyer's exclusive remedy hereunder will be limited solely, at Hatco's option, to repair or replacement using new or refurbished parts or Product by Hatco or a Hatco-authorized service agency (other than where Buyer is located outside of the United States, Canada, United Kingdom, or Australia, in which case Hatco's liability and Buyer's exclusive remedy hereunder will be limited solely to replacement of part under warranty) with respect to any claim made within the applicable warranty period referred to above. Hatco reserves the right to accept or reject any such claim in whole or in part. In the context of this Limited Warranty, "refurbished" means a part or Product that has been returned to its original specifications by Hatco or a Hatco-authorized service agency. Hatco will not accept the return of any Product without prior written approval from Hatco, and all such approved returns shall be made at Buyer's sole expense. HATCO WILL NOT BE LIABLE, UNDER ANY CIRCUMSTANCES, FOR CONSEQUENTIAL OR INCIDENTAL DAMAGES, INCLUDING BUT NOT LIMITED TO LABOR COSTS OR LOST PROFITS RESULTING FROM THE USE OF OR INABILITY TO USE THE PRODUCTS OR FROM THE PRODUCTS BEING INCORPORATED IN OR BECOMING A COMPONENT OF ANY OTHER PRODUCT OR GOODS.

| | | | |
|---|-----------|---|---------------------------|
| Informations Importantes pour le Propriétaire..... | 13 | Mode d'emploi | 20 |
| Introduction..... | 13 | Généralités | 20 |
| Consignes de Sécurité Importantes | 14 | Maintenance..... | 21 |
| Description du Modèle..... | 14 | Généralités | 21 |
| Désignation du Modèle | 14 | Nettoyage quotidien..... | 21 |
| Caractéristiques Techniques | 14 | Remplacer un tube d'éclairage..... | 21 |
| Dimensions — Rampe chauffante..... | 14 | Guide de Dépannage..... | 22 |
| Dimensions — Boîtier de commande..... | 15 | Garantie Limitée | 23 |
| Tableaux des caractéristiques électriques..... | 15 | Autorisés Distributeurs de Pièces..... | Couverture Arrière |
| Installation..... | 16 | | |
| Généralités | 16 | | |
| Exigences du lieu d'installation | 17 | | |
| Installer l'appareil..... | 17 | | |
| Installation du boîtier de commande | 17 | | |

INFORMATIONS IMPORTANTES POUR LE PROPRIÉTAIRE

Notez le numéro de modèle, le numéro de série, la tension et la date d'achat de l'appareil dans les espaces ci-dessous (plaque signalétique située sous l'appareil). Veuillez avoir cette information à portée de la main si vous appelez Hatco pour assistance.

Modèle No. _____

Numéro de série _____

Voltage _____

Date d'achat _____

Votre appareil!

- Remplissez la garantie en ligne pour éviter les retards pour faire jouer la garantie. Accédez au site Web Hatco www.hatcocorp.com, sélectionnez le menu déroulant Parts & Service, puis cliquez sur Warranty Registration.

Horaires

ouvrables: 7h00 à 17h00
 Heure du Centre des États-Unis (CST)
 (Horaires d'été : juin à septembre—
 7h00 à 17h00 CST du lundi au jeudi
 7h00 à 16h00 CST le vendredi)

Téléphone: 800-558-0607; 414-671-6350

Courriel: partsandservice@hatcocorp.com



Service d'assistance et de pièces de rechange disponible 7j/7, 24h/24 aux États-Unis et au Canada en composant le 800-558-0607.

Des renseignements supplémentaires sont disponibles sur notre site Web à www.hatcocorp.com.

INTRODUCTION

Les rampes chauffantes arrondies à infrarouge Glo-Ray® de Hatco permettent de maintenir les plats au chaud à une température optimale plus longtemps. Le design compact et arrondi permet de réduire la taille des rampes chauffantes, de mettre en valeur et de maintenir les aliments au chaud, tel qu'expliqué ci-dessous. Les réflecteurs ont été spécialement conçus pour orienter la chaleur vers les aliments en toute sécurité et en maintenant une température optimale plus longtemps, sans les cuire davantage. Les rampes chauffantes arrondies à infrarouge Glo-Ray sont idéales pour être placées en salle, tel que sur un buffet ou un self-service.

Les rampes chauffantes arrondies à infrarouge Glo-Ray sont le fruit de recherches approfondies ; elles ont fait l'objet d'essais sur le terrain. Les matériaux utilisés ont été sélectionnés afin de garantir une durée de vie maximale, un design attractif et des performances optimales. Chaque unité est inspectée et testée minutieusement avant d'être expédiée.

Ce manuel contient des instructions relatives à l'installation, la sécurité et l'utilisation des rampes chauffantes arrondies à infrarouge Glo-Ray. Hatco vous recommande de lire l'ensemble des instructions d'installation, de sécurité et d'utilisation fournies dans ce manuel avant d'installer et d'utiliser l'appareil.

Les consignes de sécurité qui apparaissent dans ce manuel sont identifiées par les mots indicateurs suivants :

⚠ AVERTISSEMENT

AVERTISSEMENT indique une situation dangereuse qui, si elle n'est pas évitée, peut provoquer la mort ou des blessures graves.

⚠ ATTENTION

ATTENTION indique une situation dangereuse qui, si elle n'est pas évitée, peut provoquer des blessures légères ou moyennes.

AVIS

AVIS est utilisé pour des questions sans rapport avec des blessures corporelles.



Lisez l'information de sécurité importante suivante avant d'utiliser cet équipement pour éviter des dommages ou la mort sérieux et pour éviter d'endommager l'équipement ou la propriété.

⚠ AVERTISSEMENT

DANGER DE DÉCHARGE ÉLECTRIQUE:

- Les appareils doivent être raccordés au circuit électrique local. Le câblage doit être mis à la terre de manière appropriée. Son voltage, ses dimensions et sa configuration doivent également correspondre aux spécifications électriques de l'appareil. Contactez un électricien qualifié pour procéder au choix et à l'installation des branchements électriques adaptés.
- L'appareil doit être installé par un électricien qualifié. L'installation doit être conforme à l'ensemble des réglementations électriques locales. Une installation par un personnel non qualifié provoquera une annulation de la garantie de l'appareil. Cela peut également entraîner un choc électrique ou une brûlure et endommager l'unité et/ou les zones environnantes.
- Le boîtier de commande doit être installé sur une surface verticale. L'installation du boîtier de commande sur une surface horizontale peut entraîner une accumulation de liquides et un risque d'électrocution.
- Placez l'interrupteur sur « ARRÊT », coupez le courant au niveau du disjoncteur et laissez l'appareil refroidir avant d'effectuer toute opération de nettoyage, de réglage ou d'entretien.
- NE PAS immerger l'appareil ni le saturer d'eau. L'appareil n'est pas étanche à l'eau. Ne pas le faire fonctionner s'il a été immergé ou saturé d'eau.
- Cet appareil n'est pas étanche aux jets. Ne pas utiliser de jet sous pression pour nettoyer l'appareil.
- Ne pas nettoyer à la vapeur ni utiliser trop d'eau sur l'appareil.
- Utilisez uniquement des pièces de rechange d'origine Hatco lorsque l'entretien est nécessaire. Utilisez des pièces détachées Hatco authentiques sous peine d'annuler toutes les garanties et d'exposer l'utilisateur à des tensions électriques dangereuses pouvant entraîner une électrocution ou des brûlures. Les pièces de rechange authentiques Hatco sont spécifiées pour fonctionner en toute sécurité dans les environnements dans lesquels elles sont utilisées. Certaines pièces de rechange génériques ou d'après-vente n'ont pas les caractéristiques qui leur permettent d'opérer en toute sécurité dans les équipements Hatco.

DANGER D'INCENDIE:

- N'installez pas d'appareil haute puissance au-dessus ou à proximité de surfaces combustibles. Une décoloration ou une combustion pourraient survenir. Les appareils haute puissance doivent uniquement être installés dans un environnement non combustible.
- Assurez-vous de suivre les informations d'installation ci-dessous pour des rampes chauffantes spécifiques. Si les distances de sécurité ne sont pas respectées, une décoloration ou combustion peut avoir lieu.
 - a. N'installez pas de rampe chauffante à puissance standard (modèles GR5AL) à moins de 279 mm (11") au-dessus des surfaces combustibles.
 - b. N'installez pas de rampe chauffante haute puissance (modèles GR5AHL) à moins de 254 mm (10") au-dessus des surfaces non combustibles.
 - c. N'installez pas d'appareil à puissance standard à moins de 25 mm (1") d'un mur combustible ou d'une surface adjacente.

RISQUE D'EXPLOSION: Ne conservez pas ou n'utilisez pas d'essence ou d'autres vapeurs ou liquides inflammables à proximité de cet appareil ou de tout autre appareil.

⚠ AVERTISSEMENT

Assurez-vous que tous les opérateurs ont été formés à l'utilisation sûre et correcte de l'appareil.

Cet appareil ne doit pas être utilisé par des enfants ou des personnes avec des capacités physiques, sensorielles ou mentales diminuées. Assurez-vous que les enfants sont bien surveillés et tenez-les à l'écart de l'appareil.

Utilisez uniquement des systèmes d'éclairage à LED agréés par Hatco conçus spécialement pour les zones de maintien au chaud. L'utilisation d'un système d'éclairage à LED non conçu pour les zones de maintien au chaud pourrait provoquer des blessures et/ou contaminer les aliments.

S'assurer que le produit alimentaire a été chauffé à une température adaptée au maintien de sa salubrité avant de le mettre dans l'appareil sous peine de risques graves pour la santé. Cet appareil est destiné au maintien au chaud de produits alimentaires préchauffés uniquement.

Cet appareil ne contient aucune pièce réparable par l'utilisateur. Si cet appareil doit être réparé, contacter un réparateur Hatco agréé ou le Service après-vente Hatco au 800-558-0607 ou 414-671-6350.

⚠ ATTENTION

DANGER DE BRÛLURE: Certaines surfaces extérieures de l'appareil deviennent chaudes. Toucher ces zones de l'appareil avec précaution

Les graisses standards et approuvées utilisées lors de la fabrication peuvent provoquer des fumées au cours du démarrage initial pendant 30 minutes. Il s'agit d'un état temporaire. Utilisez l'appareil sans produit alimentaire jusqu'à ce que la fumée disparaisse.

Assurez-vous que le fonctionnement est sûr et adapté. Référez-vous aux « Exigences d'espace minimum » indiquées dans la section INSTALLATION de ce manuel

AVIS

Les unités ne fonctionnent qu'à la tension spécifiée. Reportez-vous à l'étiquette des caractéristiques des exigences électriques avant de commencer l'installation.

Ne masquez pas une rampe chauffante montée sur un passe-plat avec une sous-face décorative. Une température excessive peut entraîner une panne de l'unité.

Installez le boîtier de commande monté à distance hors des zones soumises à des températures supérieures à 40°C (104°F). Des températures excessives entraîneront une surchauffe, un dysfonctionnement et une défaillance.

Les dommages pouvant être causés au dessus de comptoir par l'équipement de Hatco ne sont pas couverts par la garantie de Hatco. Contactez le fabricant du comptoir pour les informations concernant l'application.

Utilisez seulement des nettoyeurs non abrasifs et des chiffons doux. Les chiffons et nettoyeur abrasifs pourraient érafler la finition de l'unité, entachant son apparence et la rendant susceptible à l'accumulation de saleté.

L'appareil ne doit pas être installé à un endroit présentant des déplacements d'air excessifs. Évitez les zones pouvant être soumises à des déplacements d'air ou à des courants d'air actifs (proximité de ventilateurs d'extraction/de hottes d'aspiration, de conduites de climatisation et de portes extérieures).

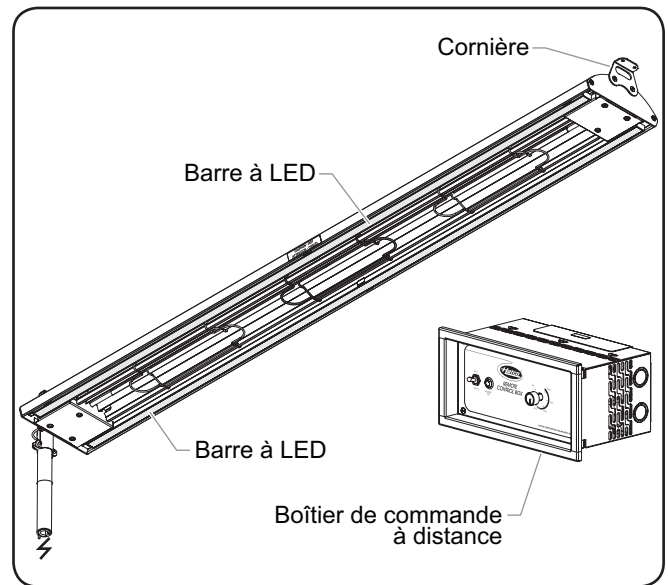
Tous les Modèles

Toutes les rampes chauffantes arrondies à infrarouge Glo-Ray® se composent d'un boîtier en aluminium arrondi, idéal pour l'installation dans des espaces réduits. L'éclairage fourni par deux barres à LED permet de mettre en valeur les aliments situés en-dessous. Les commandes sont situées dans un boîtier de commande monté à distance et sont composées d'un interrupteur ON/OFF (I/O) (marche/arrêt), d'un témoin lumineux POWER ON, et d'un bouton de réglage de la chaleur. Les options de finition comprennent plusieurs coloris et finitions brillantes.

Les rampes chauffantes arrondies à infrarouge se déclinent en haute puissance et puissance standard avec une largeur de 457 à 1 829 mm (18"-72").

Les rampes chauffantes arrondies à infrarouge sont fournies avec des cornières pour un montage sous une étagère. Les fils électriques standard de 1 524 mm (5') de l'élément sont situés dans des cordons de 914 mm (3'). Les fils électriques standard des LED mesurent 457 mm (18") de plus que les fils électriques de l'élément.

NOTA: Les appareils peuvent être commandés avec un élément disposant de fils électriques pouvant mesurer jusqu'à 3 m (10"), en fonction du lieu d'installation du boîtier de commande. Les fils électriques des LED mesurent toujours 457 mm (18") de plus que les fils électriques de l'élément.



Rampe chauffante GR5AL

DÉSIGNATION DU MODÈLE

GR5AHL - XX

Glo-Ray arrondie ————

Revêtement en aluminium ————

H = haute puissance ————

Absence de lettre = puissance standard

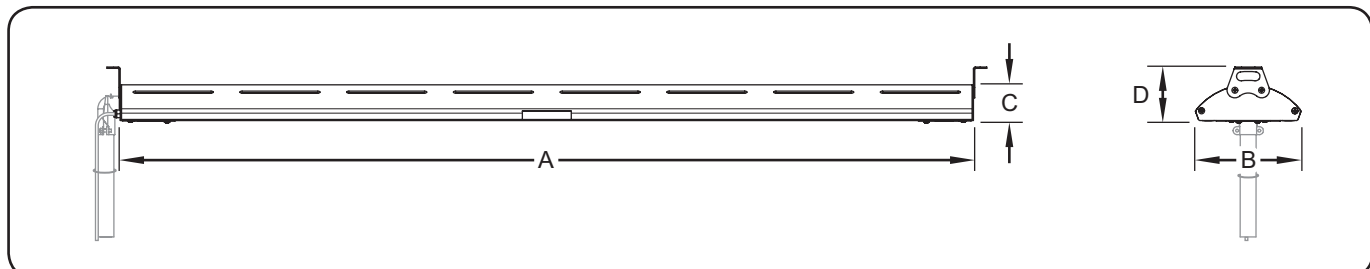
Largeur (en pouces) ————

L = Lampes à LED ————

CARACTÉRISTIQUES TECHNIQUES

Dimensions — Rampe chauffante

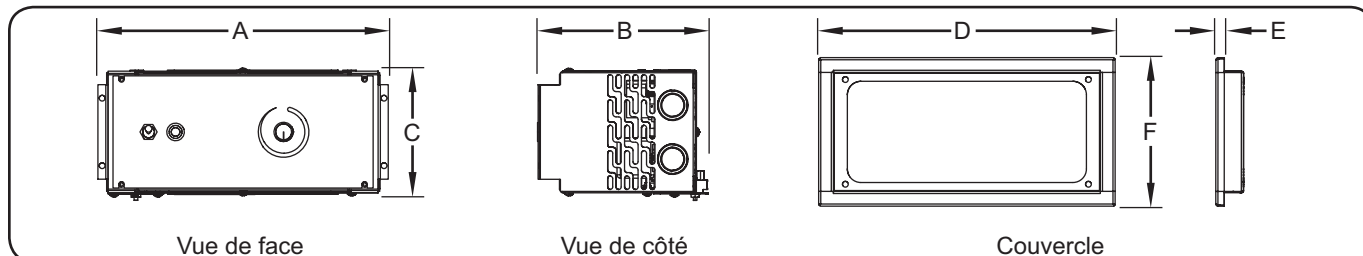
| Modèle | Largeur (A) | Profondeur (B) | Hauteur de l'appareil (C) | Hauteur globale (D) |
|-----------------|--------------------------|----------------------|---------------------------|---------------------|
| GR5AL et GR5AHL | 457-1829 mm (18"-72") | 149 mm (5-15/16") | 51 mm (2") | 76 mm (3") |



CARACTÉRISTIQUES TECHNIQUES

Dimensions — Boîtier de commande

| Modèle | Largeur (A) | Profondeur (B) | Hauteur (C) | Largeur du couvercle (D) | Profondeur du couvercle (E) | Hauteur du couvercle (F) |
|---------------------|---------------------|--------------------|--------------------|--------------------------|-----------------------------|--------------------------|
| Boîtier de commande | 257 mm (10-1/8") | 159 mm (6-1/4") | 120 mm (4-3/4") | 279 mm (11") | 8 mm (5/16") | 140 mm (5-1/2") |



NOTA: Assurez-vous que le lieu d'installation du boîtier de commande prévoit suffisamment de place derrière la surface verticale pour la profondeur du boîtier de commande et les branchements électriques

NOTA: Le poids des éléments expédiés figurant ci-dessous est estimatif.

Tableau des caractéristiques électriques— Modèles GR5AL

| Modèle | Tension | Amps | Intensité | Poids d'embarquement |
|----------|---------|------|-----------|----------------------|
| GR5AL-18 | 120 | 2.2 | 254 | 13 lbs. (6 kg) |
| | 208 | 1.2 | | |
| | 240 | 1.1 | | |
| GR5AL-24 | 120 | 3.0 | 356 | 14 lbs. (7 kg) |
| | 208 | 1.7 | | |
| | 240 | 1.5 | | |
| GR5AL-30 | 120 | 3.9 | 458 | 15 lbs. (7 kg) |
| | 208 | 2.2 | | |
| | 240 | 1.9 | | |
| GR5AL-36 | 120 | 4.9 | 584 | 17 lbs. (8 kg) |
| | 208 | 2.9 | | |
| | 240 | 2.5 | | |
| GR5AL-42 | 120 | 5.8 | 686 | 18 lbs. (9 kg) |
| | 208 | 3.3 | | |
| | 240 | 2.9 | | |
| GR5AL-48 | 120 | 6.9 | 812 | 20 lbs. (9 kg) |
| | 208 | 4.0 | | |
| | 240 | 3.4 | | |
| GR5AL-54 | 120 | 7.9 | 939 | 21 lbs. (10 kg) |
| | 208 | 4.6 | | |
| | 240 | 4.0 | | |
| GR5AL-60 | 120 | 9.0 | 1066 | 22 lbs. (10 kg) |
| | 208 | 5.2 | | |
| | 240 | 4.5 | | |
| GR5AL-66 | 120 | 10.0 | 1177 | 24 lbs. (11 kg) |
| | 208 | 5.7 | | |
| | 240 | 5.0 | | |
| GR5AL-72 | 120 | 10.9 | 1294 | 25 lbs. (12 kg) |
| | 208 | 6.3 | | |
| | 240 | 5.5 | | |

Tableau des caractéristiques électriques— Modèles GR5AHL

| Modèle | Tension | Amps | Intensité | Poids d'embarquement |
|-----------|---------|------|-----------|----------------------|
| GR5AHL-18 | 120 | 3.0 | 354 | 13 lbs. (6 kg) |
| | 208 | 1.7 | | |
| | 240 | 1.5 | | |
| GR5AHL-24 | 120 | 4.3 | 506 | 14 lbs. (7 kg) |
| | 208 | 2.5 | | |
| | 240 | 2.1 | | |
| GR5AHL-30 | 120 | 5.6 | 668 | 15 lbs. (7 kg) |
| | 208 | 3.2 | | |
| | 240 | 2.8 | | |
| GR5AHL-36 | 120 | 6.8 | 809 | 17 lbs. (8 kg) |
| | 208 | 3.9 | | |
| | 240 | 3.4 | | |
| GR5AHL-42 | 120 | 8.1 | 961 | 18 lbs. (9 kg) |
| | 208 | 4.7 | | |
| | 240 | 4.0 | | |
| GR5AHL-48 | 120 | 9.4 | 1112 | 20 lbs. (9 kg) |
| | 208 | 5.4 | | |
| | 240 | 4.7 | | |
| GR5AHL-54 | 120 | 10.7 | 1264 | 21 lbs. (10 kg) |
| | 208 | 6.1 | | |
| | 240 | 5.3 | | |
| GR5AHL-60 | 120 | 11.9 | 1416 | 22 lbs. (10 kg) |
| | 208 | 6.9 | | |
| | 240 | 6.0 | | |
| GR5AHL-66 | 120 | 13.3 | 1577 | 24 lbs. (11 kg) |
| | 208 | 7.7 | | |
| | 240 | 6.6 | | |
| GR5AHL-72 | 120 | 14.7 | 1744 | 25 lbs. (12 kg) |
| | 208 | 8.5 | | |
| | 240 | 7.3 | | |

Généralités

Utilisez les informations contenues dans ce chapitre pour installer une rampe chauffante arrondie à infrarouge Glo-Ray®. Les rampes chauffantes sont expédiées avec la majorité des composants déjà montés.

AVERTISSEMENT

DANGER DE DÉCHARGE ÉLECTRIQUE:

- Les appareils doivent être raccordés au circuit électrique local. Le câblage doit être mis à la terre de manière appropriée. Son voltage, ses dimensions et sa configuration doivent également correspondre aux spécifications électriques de l'appareil. Contactez un électricien qualifié pour procéder au choix et à l'installation des branchements électriques adaptés.
- L'appareil doit être installé par un électricien qualifié. L'installation doit être conforme à l'ensemble des réglementations électriques locales. Une installation par un personnel non qualifié provoquera une annulation de la garantie de l'appareil. Cela peut également entraîner un choc électrique ou une brûlure et endommager l'unité et/ou les zones environnantes.

DANGER D'INCENDIE:

- N'installez pas d'appareil haute puissance au-dessus ou à proximité de surfaces combustibles. Une décoloration ou une combustion pourraient survenir. Les appareils haute puissance doivent uniquement être installés dans un environnement non combustible.
- Assurez-vous de suivre les informations d'installation ci-dessous pour des rampes chauffantes spécifiques. Si les distances de sécurité ne sont pas respectées, une décoloration ou combustion peut avoir lieu.
 - a. N'installez pas de rampe chauffante à puissance standard (modèles GR5AL) à moins de 279 mm (11") au-dessus des surfaces combustibles.
 - b. N'installez pas de rampe chauffante haute puissance (modèles GR5AHL) à moins de 254 mm (10") au-dessus des surfaces non combustibles.
 - c. N'installez pas d'appareil à puissance standard à moins de 25 mm (1") d'un mur combustible ou d'une surface adjacente.

ATTENTION

Assurez-vous que le fonctionnement est sûr et adapté. Référez-vous aux « Exigences d'espace minimum » indiquées dans la section INSTALLATION de ce manuel

AVIS

Les unités ne fonctionnent qu'à la tension spécifiée. Reportez-vous à l'étiquette des caractéristiques des exigences électriques avant de commencer l'installation.

Ne masquez pas une rampe chauffante montée sur un passe-plat avec une sous-face décorative. Une température excessive peut entraîner une panne de l'unité.

Les dommages pouvant être causés au dessus de comptoir par l'équipement de Hatco ne sont pas couverts par la garantie de Hatco. Contactez le fabricant du comptoir pour les informations concernant l'application.

NOTA: Contactez le fabricant du matériel de base du comptoir pour des informations concernant l'application et les limites de température à la surface avant d'installer l'appareil.

1. Retirez l'appareil du carton de livraison et retirez tous les éléments d'emballage.

NOTA: Pour éviter des retards dans l'obtention de la couverture de la garantie, complétez l'enregistrement en ligne de votre garantie. Lisez la section INFORMATIONS IMPORTANTES POUR LE PROPRIÉTAIRE pour plus de détails.

2. Retirez le ruban et l'emballage de protection de toutes les surfaces de l'appareil.
3. Installez l'appareil dans un endroit approprié. Veuillez consulter les procédures « Exigences du lieu d'installation » et « Installer l'appareil » de ce chapitre.
 - Placez l'appareil dans une zone dont la température ambiante est constante (21°C [70°F] minimum). Évitez les zones pouvant être soumises à des déplacements d'air ou à des courants d'air actifs (proximité de ventilateurs d'extraction/de hottes d'aspiration, de conduites de climatisation et de portes extérieures).
 - Vérifiez que les exigences de dégagement minimum et les consignes en matière de hauteur d'installation sont respectées. Veuillez consulter les « Exigences du lieu d'installation » de ce chapitre.
 - Les rampes chauffantes GR5AL peuvent être installées au-dessus d'une table à vapeur. Respectez les exigences de dégagement minimum.
4. Installez le boîtier de commande à l'endroit souhaité. Veuillez consulter la procédure « Installation du boîtier de commande » de ce chapitre.

Exigences du lieu d'installation

Le lieu d'installation doit satisfaire aux exigences spécifiques concernant l'installation sécurisée et correcte de l'appareil.

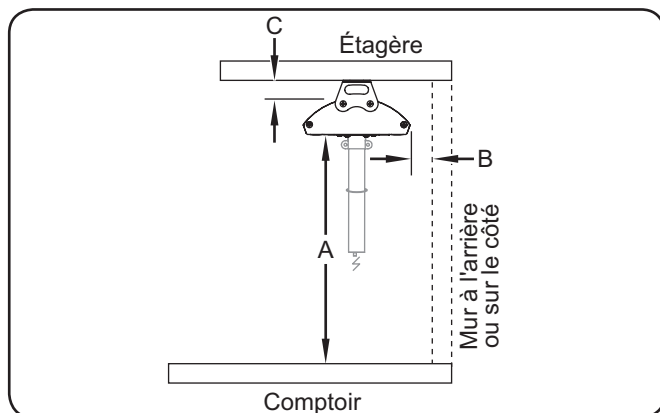
- Assurez-vous que le matériau du comptoir est conçu pour résister à de longues périodes de températures de maintien de la chaleur des aliments. Contactez le fabricant du comptoir pour obtenir des informations concernant ce problème.
- Assurez-vous que le lieu d'installation respecte les dégagements minimum appropriés pour les surfaces adjacentes.

Exigences de dégagement minimum — Environnement combustible

| Modèle | A | B | C |
|--------|-----------------|---------------|---------------|
| GR5AL | 279 mm (11") | 25 mm (1") | 25 mm (1") |

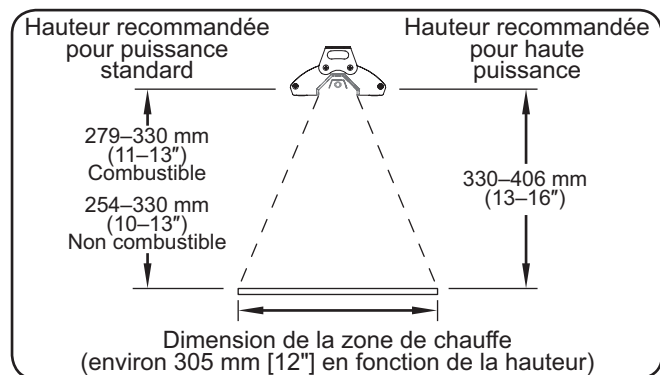
Exigences de dégagement minimum — Environnement non combustible

| Modèle | A | B | C |
|--------|-----------------|--------------|---------------|
| GR5AL | 254 mm (10") | 0 mm (0") | 25 mm (1") |
| GR5AHL | 254 mm (10") | 0 mm (0") | 25 mm (1") |



Exigences de dégagement minimum de la série GR5AL

NOTA: Les rampes chauffantes GR5AL peuvent être installées au-dessus d'une table à vapeur. Respectez les exigences de dégagement minimum pour les environnements non combustibles.



Hauteur recommandée de l'élément pour la série GR5AL toutes largeurs confondues

NOTA: Les dimensions de la zone de chauffe varient en fonction de la hauteur de l'appareil.

Installer l'appareil

Appliquez la procédure suivante pour installer l'appareil en utilisant les cornières fournies.

NOTA: Les appareils peuvent être commandés avec des fils électriques pouvant mesurer jusqu'à 3 m (10"), en fonction du lieu d'installation du boîtier de commande. Les fils électriques des LED mesurent toujours 457 mm (18") de plus que les fils électriques de l'élément.

AVIS

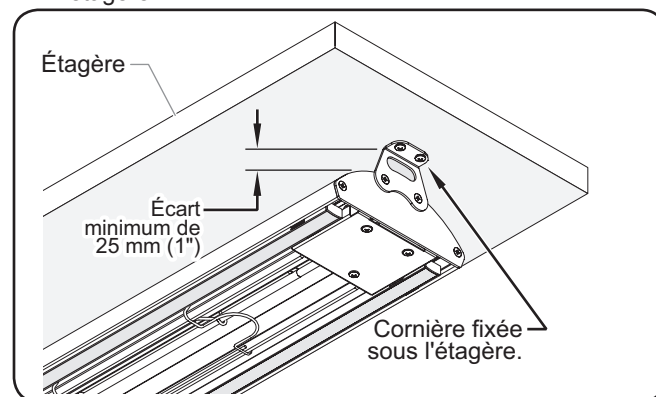
Les dommages pouvant être causés au dessus de comptoir par l'équipement de Hatco ne sont pas couverts par la garantie de Hatco. Contactez le fabricant du comptoir pour les informations concernant l'application.

- Déterminez le lieu d'installation exact sous l'étagère.

NOTA: Les cornières fixées permettent un dégagement de 25 mm (1") entre l'appareil et toute étagère située au-dessus.

NOTA: Les appareils peuvent être montés sur une étagère plate ou une étagère avec des bordures enroulées ou retournées. L'appareil doit être installé en respectant un dégagement minimum de 25 mm (1") sous la partie inférieure de l'étagère du dessus. Par exemple, une étagère dont la bordure enroulée mesure 25 mm (1") nécessite un montage 51 mm (2") sous cette dernière.

- Fixez la cornière sous l'étagère en utilisant les fixations adaptées (non fournies par Hatco). Assurez-vous que l'appareil est tourné dans la direction souhaitée avec les fils électriques sur le bon côté avant de fixer l'appareil à l'étagère.



Installation d'une étagère plate

- Orientez les fils électriques de l'élément et des barres à LED vers le lieu d'installation du boîtier de commande.

NOTA: Les rampes chauffantes arrondies à infrarouge avec éclairage (modèles GR5AL et GR5AHL) nécessitent deux sources d'alimentation différentes à partir du boîtier de commande. Une alimentation haute tension pour l'élément de chauffe et une alimentation faible tension pour la barre à LED.

Installation du boîtier de commande

Suivez la procédure ci-dessous pour installer le boîtier de commande GR5AL.

NOTA: Les appareils peuvent être commandés avec des fils électriques pouvant mesurer jusqu'à 3 m (10"), en fonction du lieu d'installation du boîtier de commande. Les fils électriques des LED mesurent toujours 457 mm (18") de plus que les fils électriques de l'élément.

AVERTISSEMENT

Le boîtier de commande doit être installé sur une surface verticale. L'installation du boîtier de commande sur une surface horizontale peut entraîner une accumulation de liquides et un risque d'électrocution.

AVIS

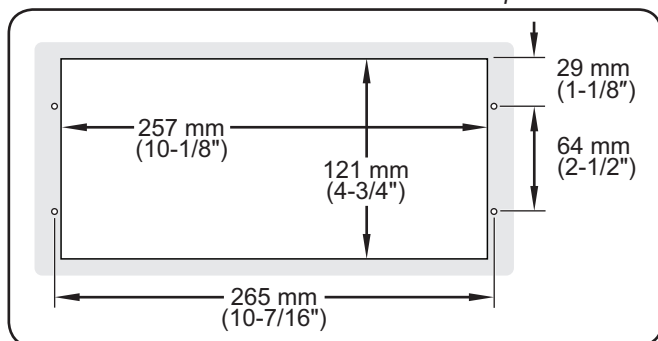
Installez le boîtier de commande monté à distance hors des zones soumises à des températures supérieures à 40°C (104°F). Des températures excessives entraîneront une surchauffe, un dysfonctionnement et une défaillance.

REMARQUE IMPORTANTE:

Les boîtiers de commande montés à distance doivent être installés dans un endroit froid et sec aussi loin que possible de toute zone de chaleur. Ne montez pas les boîtiers de commande directement sur, en dessous ou au-dessus de l'appareil. Ne montez pas les boîtiers de commande directement en contact avec une surface chauffée ou près d'un équipement générant de la vapeur.

1. Découpez et percez des orifices appropriés dans la surface verticale à l'endroit où vous souhaitez installer le boîtier de commande. Veuillez vous référer à l'illustration ci-dessous pour consulter les dimensions de découpe et de passage.

NOTA: Assurez-vous que le lieu d'installation du boîtier de commande prévoit suffisamment de place derrière la surface verticale pour la profondeur du boîtier de commande et les branchements électriques.



Dimensions de découpe et de passage du boîtier de commande de la série GR5AL

NOTA: Veillez à ce que la largeur de la découpe du boîtier de commande n'exécède pas les dimensions ci-dessus.

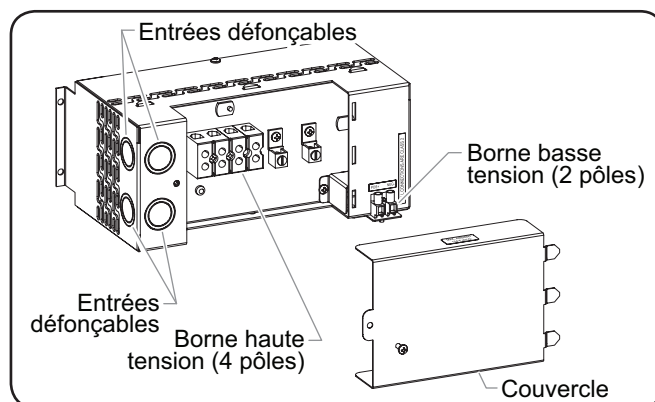
2. Terminez l'acheminement des fils électriques de l'élément et des barres à LED à partir de l'appareil vers le boîtier de commande à travers la découpe.

NOTA: Les rampes chauffantes arrondies à infrarouge avec éclairage (modèles GR5AL et GR5AHL) nécessitent deux sources d'alimentation différentes à partir du boîtier de commande. Une alimentation haute tension pour l'élément de chauffe et une alimentation faible tension pour la barre à LED.

3. Orientez les fils électriques de l'alimentation électrique des locaux vers les fils électriques du boîtier de commande à travers la découpe.
4. Retirez les quatre vis du couvercle du boîtier de commande et retirez le couvercle.

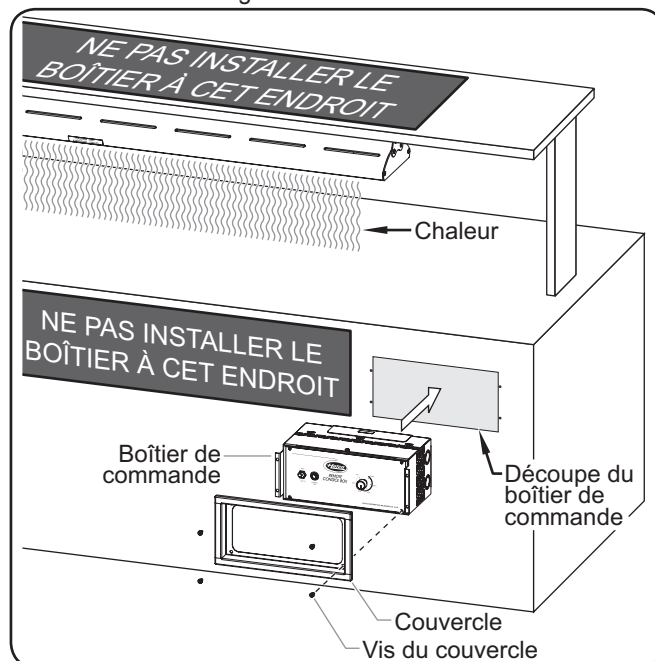
5. Demandez à un électricien qualifié d'effectuer les raccordements électriques appropriés au boîtier de commande. Veuillez consulter le diagramme de câblage fourni avec l'appareil.

- a. Raccordez les fils électriques des LED à partir de l'appareil sur la borne basse tension à deux pôles située à l'extérieur du boîtier de commande.
- b. Raccordez les fils électriques de l'élément à partir de l'appareil, via l'une des entrées défonçables, à la borne haute tension à quatre pôles située à l'intérieur du couvercle du boîtier de commande.
- c. Raccordez l'alimentation électrique des locaux, via l'une des entrées défonçables, à la borne haute tension à quatre pôles située à l'intérieur du couvercle du boîtier de commande.



Connexions électriques du boîtier de commande

6. Installez le boîtier de commande dans la découpe prévue à cet effet, en le faisant passer par l'avant. Assurez-vous qu'aucun fil électrique ne soit pincé ou étiré.
7. Fixez le boîtier de commande sur la surface verticale à l'aide de quatre vis (non fournies).
8. Réinstallez le couvercle sur le boîtier de commande et fixez-le à l'aide des quatre vis. Scellez le couvercle sur la surface de montage à l'aide d'un adhésif silicone.



Installation du boîtier de commande

Généralités

Les rampes chauffantes arrondies à infrarouge Glo-Ray® sont conçues pour une utilisation facile. Utilisez les informations et les procédures suivantes pour faire fonctionner l'appareil.

AVERTISSEMENT

Lire tous les messages de sécurité de la section **CONSIGNES DE SÉCURITÉ IMPORTANTES** avant d'utiliser ce matériel.

ATTENTION

DANGER DE BRÛLURE: Certaines surfaces extérieures de l'appareil deviennent chaudes. Toucher ces zones de l'appareil avec précaution

Les graisses standards et approuvées utilisées lors de la fabrication peuvent provoquer des fumées au cours du démarrage initial pendant 30 minutes. Il s'agit d'un état temporaire. Utilisez l'appareil sans produit alimentaire jusqu'à ce que la fumée disparaisse.

Commandes

Les rampes chauffantes arrondies à infrarouge sont livrées avec un boîtier de commande monté à distance. La liste suivante énumère les commandes du boîtier de commande.

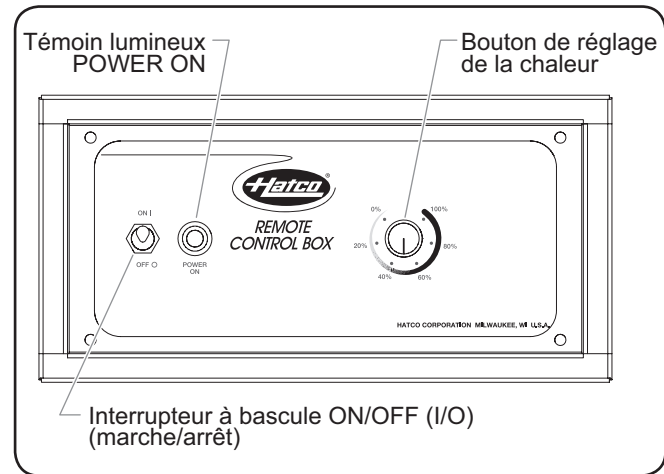
Interrupteur ON/OFF (I/O) (marche/arrêt)— Permet d'allumer et d'éteindre les éléments chauffants et les barres à LED.

Bouton de réglage de la chaleur—Commutateur à réglage infini permettant de régler la température de l'élément de chauffe.

Témoin lumineux POWER ON—S'allume lorsque le courant est allumé, s'éteint lorsque le courant est éteint.

Démarrage

1. Placez l'interrupteur ON/OFF (I/O) (marche/arrêt) sur ON (I) (marche).
 - Le témoin lumineux POWER ON s'allume, l'élément de chauffe est alimenté, et la barre à LED se met en marche.
2. Tournez le bouton de réglage de la chaleur pour sélectionner la température souhaitée.
3. Attendez 30 minutes avant de placer les aliments sous la rampe chauffante afin que cette dernière atteigne une température optimale.



Boîtier de commande GR5A

Arrêt

1. Placez l'interrupteur ON/OFF (I/O) (marche/arrêt) sur la position OFF (O) (arrêt).
 - Le témoin lumineux POWER ON s'éteint, les lampes à LED s'éteignent, et les éléments de chauffe s'éteignent.

Généralités

Les rampes chauffantes arrondies à infrarouge Glo-Ray sont conçues pour une durabilité et des performances maximum, avec un entretien minimum.

AVERTISSEMENT

DANGER DE DÉCHARGE ÉLECTRIQUE:

- Placez l'interrupteur sur « ARRÊT », coupez le courant au niveau du disjoncteur et laissez l'appareil refroidir avant d'effectuer toute opération de nettoyage, de réglage ou d'entretien.
- **NE PAS immerger l'appareil ni le saturer d'eau. L'appareil n'est pas étanche à l'eau. Ne pas le faire fonctionner s'il a été immergé ou saturé d'eau.**
- **Cet appareil n'est pas étanche aux jets. Ne pas utiliser de jet sous pression pour nettoyer l'appareil.**
- **Ne pas nettoyer à la vapeur ni utiliser trop d'eau sur l'appareil.**
- **Utilisez uniquement des pièces de rechange d'origine Hatco lorsque l'entretien est nécessaire. Utilisez des pièces détachées Hatco authentiques sous peine d'annuler toutes les garanties et d'exposer l'utilisateur à des tensions électriques dangereuses pouvant entraîner une électrocution ou des brûlures. Les pièces de rechange authentiques Hatco sont spécifiées pour fonctionner en toute sécurité dans les environnements dans lesquels elles sont utilisées. Certaines pièces de rechange génériques ou d'après-vente n'ont pas les caractéristiques qui leur permettent d'opérer en toute sécurité dans les équipements Hatco.**

Cet appareil ne contient aucune pièce réparable par l'utilisateur. Si cet appareil doit être réparé, contacter un réparateur Hatco agréé ou le Service après-vente Hatco au 800-558-0607 ou 414-671-6350.

Utilisez uniquement des systèmes d'éclairage à LED agréés par Hatco conçus spécialement pour les zones de maintien au chaud. L'utilisation d'un système d'éclairage à LED non conçu pour les zones de maintien au chaud pourrait provoquer des blessures et/ou contaminer les aliments.

AVIS

Utilisez seulement des nettoyants non abrasifs et des chiffons doux. Les chiffons et nettoyant abrasifs pourraient érafler la finition de l'unité, entachant son apparence et la rendant susceptible à l'accumulation de saleté.

Nettoyage quotidien

Afin de préserver la finition de l'appareil et de conserver son efficacité, il est recommandé de le nettoyer quotidiennement.

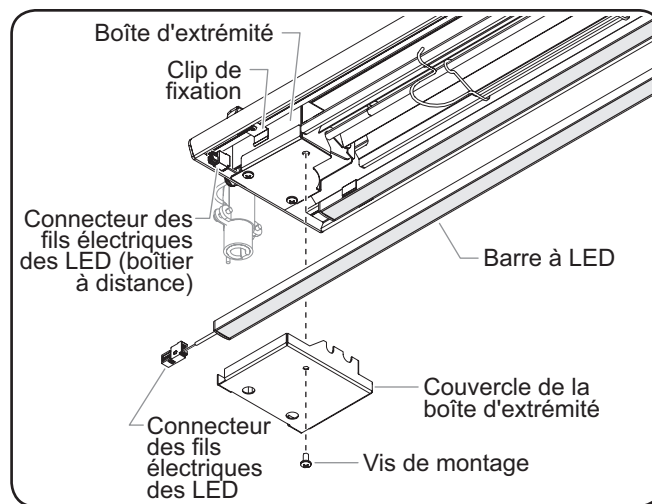
1. Éteindre l'appareil, débrancher le cordon d'alimentation et laisser refroidir l'appareil.
2. Essuyez toutes les surfaces métalliques avec un tissu doux humide. Les taches tenaces s'enlèvent avec un bon nettoyant non abrasif. Nettoyer les zones difficiles d'accès avec une petite brosse et du savon doux.
3. Essuyez l'intégralité de l'unité en utilisant un chiffon doux et sec.

Remplacer un tube d'éclairage

Les tubes d'éclairage se composent de deux barres à LED qui éclairent la zone de maintien au chaud. Ces lampes ont un dispositif de protection spécial pour éviter les blessures et la contamination des aliments en cas de casse.

Pour remplacer une barre à LED :

1. Mettez l'appareil hors tension, laissez-le refroidir, puis coupez le courant au niveau du disjoncteur.
2. Retirez le couvercle de la boîte d'extrémité sous l'alimentation à l'extrémité de l'appareil. Pour retirer le couvercle de la boîte d'extrémité :
 - a. Retirez la vis de protection du couvercle de la boîte d'extrémité.
 - b. Retirez le couvercle de la boîte d'extrémité.
3. Libérez puis retirez la barre à LED des trois clips de fixation qui se situent à chaque extrémité et au centre de la barre.
 - Au niveau de chaque clip de fixation, saisissez le bord intérieur de la barre à LED, et tirez doucement sur la barre pour la retirer de son clip de fixation.
4. Débranchez les connecteurs des fils électriques des LED situés sous la boîte d'extrémité.



Remplacer un tube d'éclairage

5. Raccordez les fils électriques de la nouvelle barre à LED aux fils électriques des LED du boîtier de commande à distance.
6. Placez la nouvelle barre à LED sur l'appareil, et fixez-la doucement dans les clips de fixation.
7. Rentrez les fils électriques des LED dans l'espace situé entre la barre à LED et la boîte d'extrémité.
8. Placez le couvercle sur la boîte d'extrémité, et fixez-le à l'aide de la vis de montage.

NOTA: Les barres à LED de Hatco respectent les normes NSF en matière de conservation des aliments et de zones d'étalage. Pour remplacer les pièces des barres à LED, veuillez consulter la liste des pièces de rechange de la série GR5AL disponible sur le site internet de Hatco (www.hatcocorp.com).

⚠ AVERTISSEMENT

La réparation de cet appareil doit être confiée exclusivement à du personnel qualifié. Les réparations par des personnes non qualifiées peuvent provoquer des décharges électriques et des brûlures.

⚠ AVERTISSEMENT

DANGER DE DÉCHARGE ÉLECTRIQUE: Placez l'interrupteur sur « ARRÊT », coupez le courant au niveau du disjoncteur et laissez l'appareil refroidir avant d'effectuer toute opération de nettoyage, de réglage ou d'entretien.

| Symptômes | Causes Probables | Action Correctrice |
|--|---|---|
| L'appareil est sur ON, mais il n'y a pas de chaleur. | Pas d'alimentation au niveau de l'appareil. | Vérifiez le disjoncteur et redémarrez si nécessaire. |
| | L'interrupteur est défectueux. | Contactez votre agent de maintenance agréé ou Hatco. |
| | Le câblage est ouvert. | Contactez votre agent de maintenance agréé ou Hatco. |
| | Élément chauffant défectueux. | Contactez votre agent de maintenance agréé ou Hatco. |
| La chaleur est inadaptée. | L'appareil est monté trop haut par rapport à la zone cible. | Baissez l'appareil, permettant de cibler plus efficacement la chaleur. |
| | Mouvement d'air excessif autour de la zone cible du réchauffeur de bande. | Restreignez ou redirigez le mouvement de l'air (conduit d'air conditionné ou ventilateur) à distance de l'appareil. |
| | Le réglage du chauffage est trop bas. | Augmentez la chaleur. |
| | Alimentation électrique incorrecte (basse). | Vérifiez l'alimentation électrique de l'appareil, assurez-vous qu'il corresponde aux valeurs sur l'appareil. Si l'alimentation électrique est incorrecte, changez pour correspondre aux valeurs sur l'appareil. |
| La chaleur est excessive. | L'appareil est monté trop près de la zone cible. | Vérifiez pour vérifier que l'installation est conforme aux spécifications pour le type/modèle Augmentez la hauteur du montage s'il est trop proche. |
| | Le réglage du chauffage est trop élevé. | Baissez la chaleur. |
| | La tension est trop élevée. | Vérifiez l'alimentation électrique de l'appareil, assurez-vous qu'il correspond aux valeurs sur l'appareil. Si l'alimentation électrique est incorrecte, changez pour correspondre aux valeurs. |
| Les interrupteurs de commande ont grillé. | L'unité n'a pas été installée correctement. | Déplacez l'unité à bonne distance des murs, comptoirs, et/ou étagères de passe-plat. Reportez-vous à la section INSTALLATION pour obtenir des directives. |
| | Le boîtier de commande à distance est installé trop près de la zone de chauffe. | Éloignez le boîtier de commande à distance de la zone de chauffe. La température ambiante maximum pour le boîtier de commande est de 40°C (104°F). |
| | Les interrupteurs utilisés ne sont pas fournis par Hatco. | Les pièces authentiques Hatco sont conçues pour fonctionner de manière sûre et adaptée dans l'environnement dans lequel elles sont utilisées. Contactez un agent agréé ou Hatco pour remplacer des interrupteurs par des pièces de remplacement authentiques Hatco. |

Vous avez des questions en ce qui concerne les pannes ?

Si le problème persiste, veuillez contacter l'agence d'entretien agréée Hatco la plus proche ou Hatco pour obtenir une assistance. Pour trouver l'agence d'entretien la plus proche, rendez-vous sur le site Internet de Hatco (www.hatcocorp.com) et cliquez sur Trouver un agent d'entretien, ou contactez l'équipe d'entretien et de pièces détachées de Hatco :

Numéro de

téléphone: 800-558-0607 ou 414-671-6350

Courriel: partsandservice@hatcocorp.com

1. GARANTIE DU PRODUIT

Hatco garantit que les produits qu'il fabrique (les « Produits ») sont exempts de défauts de matériel et de fabrication, dans des conditions normales d'utilisation et de maintenance, pour une période d'un (1) an à partir de la date d'achat à condition que l'appareil soit installé et entretenu conformément aux instructions écrites de Hatco ou 18 mois après la date de l'expédition par Hatco. L'acheteur doit prouver la date d'achat du Produit par l'enregistrement du produit auprès de Hatco ou par d'autres moyens satisfaisants pour Hatco, à sa seule discrétion.

Hatco garantit que les composants du Produit suivants sont exempts de défauts de matériel et de fabrication à partir de la date d'achat (sous réserve des conditions précédentes) pour la ou les périodes de temps et en fonction des conditions listées ci-dessous :

a) Garantie d'un (1) an pour les pièces et la main-d'œuvre PLUS un an (1) supplémentaire pour les pièces uniquement :

Éléments du grille-pain à convoyeur (enveloppe métallique)
 Éléments des tiroirs chauffants (enveloppe métallique)
 Tiroirs, roues et glissières des tiroirs chauffants
 Éléments des rampes chauffantes (enveloppe métallique)
 Éléments des vitrines chauffantes
 (enveloppe métallique, air chauffant)
 Éléments des armoires de stockage
 (enveloppe métallique, air chauffant)
 Éléments des compartiments chauffants —
 série HW et HWB (enveloppe métallique)

b) Garantie d'un (1) an pour les pièces et la main-d'œuvre PLUS quatre (4) ans pour les pièces uniquement :

Cuves 3CS et FR

c) Garantie d'un (1) an pour les pièces et la main-d'œuvre PLUS neuf (9) ans pour les pièces uniquement :

Cuves des appareils de chauffage d'appoint électriques
 Cuves des appareils de chauffage d'appoint à gaz

d) Garantie de quatre-vingt-dix (90) jours pour les pièces uniquement :

Pièces de rechange

LES GARANTIES PRÉCÉDENTES SONT EXCLUSIVES ET REMPLACENT TOUTES AUTRES GARANTIES, EXPRESSES OU IMPLICITES, COMPRENANT, MAIS NE SE LIMITANT PAS À, TOUTES GARANTIES IMPLICITES DE QUALITÉ MARCHANDE OU DE FINALITÉ PARTICULIÈRE OU TOUTS BREVETS OU TOUTES AUTRES ATTEINTES AUX DROITS DE LA PROPRIÉTÉ INTELLECTUELLE. Sans restreindre la portée générale des énoncés précédents, CES GARANTIES NE COUVRENT PAS : Ampoules d'éclairage à incandescence enduites, lumières fluorescentes, ampoules de lampes chauffantes, ampoules d'éclairage à halogène enduites, ampoules de lampes chauffantes au xénon, tubes d'éclairage DEL, composants en verre et fusibles ; défaut de produit dans la cuve d'un appareil de chauffage d'appoint, dans un échangeur de chaleur à tubes à ailettes ou tout autre équipement de chauffage d'eau causé par la calcification, l'accumulation de sédiments, la réaction d'un produit chimique ou le gel ; ou une mauvaise utilisation, une manipulation ou une mauvaise application, une installation inappropriée du Produit ou l'utilisation d'une tension inappropriée.

2. LIMITES DES RECOURS ET DES DOMMAGES

La responsabilité de Hatco et la seule voie de recours de l'Acheteur prévues par les présentes seront limitées exclusivement, au gré de Hatco, à la réparation ou au remplacement à l'aide de pièces ou de Produits nouveaux ou remis à neuf par Hatco ou un centre de réparation agréé par Hatco (sauf si l'Acheteur se situe hors des États-Unis, du Canada, du Royaume-Uni ou de l'Australie, auquel cas la responsabilité de Hatco et la seule voie de recours de l'Acheteur seront limitées exclusivement au remplacement des pièces concernées par la garantie) à l'égard de toute revendication effectuée dans les délais de garantie applicables mentionnés ci-dessus. Hatco se réserve le droit d'accepter ou de rejeter toute réclamation en partie ou dans son intégralité. Dans le cadre de cette Garantie limitée, « remis à neuf » signifie une pièce ou un Produit dont les caractéristiques techniques d'origine ont été restaurées par Hatco ou un centre de réparation agréé par Hatco. Hatco n'acceptera aucun retour de Produits sans qu'il n'ait auparavant donné son accord écrit, et tous ces retours approuvés doivent être effectués aux seuls frais de l'Acheteur. HATCO NE SERA PAS TENU RESPONSABLE, DANS AUCUNE CIRCONSTANCE, DES DOMMAGES CONSÉCUTIFS OU INDIRECTS, COMPRENANT, MAIS NE SE LIMITANT PAS À, LES COÛTS DE MAIN-D'ŒUVRE OU PERTES DE PROFITS DUS À UNE UTILISATION OU À UNE IMPOSSIBILITÉ D'UTILISER LES PRODUITS OU DUS AU FAIT QUE LES PRODUITS ONT ÉTÉ INTÉGRÉS DANS OU QU'ILS SONT DEVENUS UN COMPOSANT DE TOUT AUTRE PRODUIT OU BIEN.

AUTHORIZED PARTS DISTRIBUTORS • AUTORISÉS DISTRIBUTEURS DE PIÈCES

ALABAMA

Jones McLeod Appl. Svc.
Birmingham 205-251-0159

ARIZONA

Service Solutions Group
Phoenix 602-234-2443

Byassee Equipment Co.
Phoenix 602-252-0402

CALIFORNIA

Industrial Electric
Commercial Parts & Service, Inc.
Huntington Beach 714-379-7100

Chapman Appl. Service
San Diego 619-298-7106

P & D Appliance
Commercial Parts & Service, Inc.
S. San Francisco 650-635-1900

COLORADO

Hawkins Commercial Appliance
Englewood 303-781-5548

FLORIDA

Whaley Foodservice Repair
Jacksonville 904-725-7800

Whaley Foodservice Repair
Orlando 407-757-0851

B.G.S.I.
Pompano Beach 954-971-0456

Comm. Appliance Service
Tampa 813-663-0313

GEORGIA

TWC Services
Mableton 770-438-9797

Heritage Service Group
Norcross 866-388-9837

Southeastern Rest. Svc.
Norcross 770-446-6177

HAWAII

Burney's Comm. Service, Inc.
Honolulu 808-848-1466

Food Equip Parts & Service
Honolulu 808-847-4871

ILLINOIS

Parts Town
Lombard 708-865-7278

Eichenauer Elec. Service
Decatur 217-429-4229

Midwest Elec. Appl. Service
Elmhurst 630-279-8000

Cone's Repair Service
Moline 309-797-5323

INDIANA

GCS Service
Indianapolis 800-727-8710

IOWA

Goodwin Tucker Group
Des Moines 515-262-9308

KENTUCKY

Service Solutions Group
Lexington 859-254-8854

Service Solutions Group
Louisville 502-451-5411

LOUISIANA

Chandlers Parts & Service
Baton Rouge 225-272-6620

MARYLAND

Electric Motor Service
Baltimore 410-467-8080

GCS Service
Silver Spring 301-585-7550

MASSACHUSETTS

Ace Service Co., Inc.
Needham 781-449-4220

MICHIGAN

Bildons Appliance Service
Detroit 248-478-3320

Commercial Kitchen Service
Bay City 989-893-4561

Midwest Food Equip. Service
Grandville 616-261-2000

MINNESOTA

GCS Service
Minnetonka 800-822-2303
x20365

MISSOURI

General Parts
Kansas City 816-421-5400

Commercial Kitchen Services
St. Louis 314-890-0700

Kaemmerlen Parts & Service
St. Louis 314-535-2222

NEBRASKA

Anderson Electric
Omaha 402-341-1414

NEVADA

Burney's Commercial
Las Vegas 702-736-0006

Hi. Tech Commercial Service
N. Las Vegas 702-649-4616

NEW JERSEY

Jay Hill Repair
Fairfield 973-575-9145

Service Plus
Flanders 973-691-6300

NEW YORK

Acme American Repairs, Inc.
Jamaica 718-456-6544

Alpro Service Co.
Maspeth 718-386-2515

Appliance Installation
Buffalo 716-884-7425

Duffy's Equipment Services, Inc.
Buffalo 800-836-1014

3Wire Northern
Plattsburgh 800-634-5005

Duffy's Equipment Services, Inc.
Sauquoit 800-836-1014

J.B. Brady, Inc.
Syracuse 315-422-9271

NORTH CAROLINA

Authorized Appliance
Charlotte 704-377-4501

OHIO

Akron/Canton Comm. Svc. Inc.
Akron 330-753-6634

Service Solutions Group
Cincinnati 513-772-6600

Commercial Parts and Service
Columbus 614-221-0057

Electrical Appl. Repair Service
Brooklyn Heights 216-459-8700

E. A. Wichman Co.
Toledo 419-385-9121

OKLAHOMA

Hagar Rest. Service, Inc.
Oklahoma City 405-235-2184

Krueger, Inc.
Oklahoma City 405-528-8883

OREGON

Ron's Service, Inc.
Portland 503-624-0890

PENNSYLVANIA

Elmer Schultz Services
Philadelphia 215-627-5401

FAST Comm. Appl. Service
Philadelphia 215-288-4800

Appliance Installation & Service
Pittsburgh 412-809-0244

K & D Service Co.
Harrisburg 717-236-9039

Electric Repair Co.
Reading 610-376-5444

RHODE ISLAND

Marshall Electric Co.
Providence 401-331-1163

SOUTH CAROLINA

Whaley Foodservice Repair
Lexington 803-996-9900

TENNESSEE

Camp Electric
Memphis 901-527-7543

TEXAS

GCS Service
Fort Worth 800-433-1804

Armstrong Repair Service
Houston 713-666-7100

Cooking Equipment Specialist
Mesquite 972-686-6666

Commercial Kitchen Repair Co.
San Antonio 210-735-2811

UTAH

La Monica's Rest. Equip. Service
Murray 801-263-3221

VIRGINIA

Daubers
Norfolk 757-855-4097

Daubers
Springfield 703-866-3600

WASHINGTON

3Wire Restaurant Appliance
Seattle 800-207-3146

WISCONSIN

A.S.C., Inc.
Madison 608-246-3160

A.S.C., Inc.
Milwaukee 414-543-6460

CANADA

ALBERTA

Key Food Equipment Service
Edmonton 780-438-1690

BRITISH COLUMBIA

Key Food Equipment Service
Vancouver 604-433-4484

Key Food Equipment Service
Victoria 250-920-4888

MANITOBA

Air Rite, Inc.
Winnipeg 204-895-2300

NEW BRUNSWICK

EMR Services, Ltd.
Moncton 506-855-4228

ONTARIO

R.G. Henderson Ltd.
Toronto 416-422-5580

Choquette - CKS, Inc.
Ottawa 613-739-8458

QUÉBEC

Choquette - CKS, Inc.
Montreal 514-722-2000

Choquette - CKS, Inc.
Québec City 418-681-3944

UNITED KINGDOM

Marren Group
Northants +44(0)1933 665313

HATCO CORPORATION

P.O. Box 340500

Milwaukee, WI 53234-0500 U.S.A.

800-558-0607 414-671-6350

partsandservice@hatcocorp.com

www.hatcocorp.com

Register your unit online!

See IMPORTANT OWNER INFORMATION
section for details.

S'inscrire en ligne!

Lisez la section INFORMATIONS IMPORTANTES
POUR LE PROPRIÉTAIRE pour plus de informations.