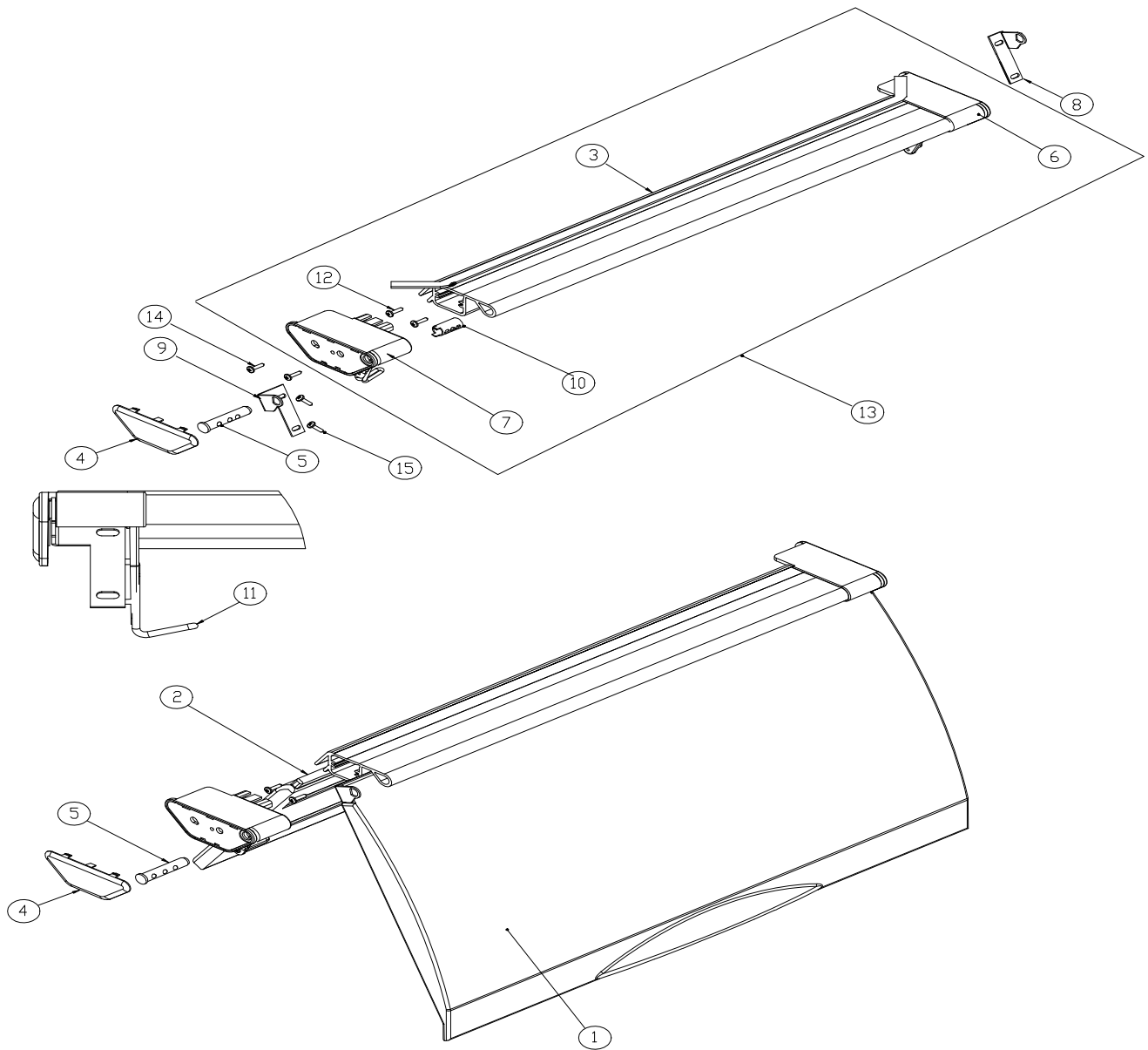
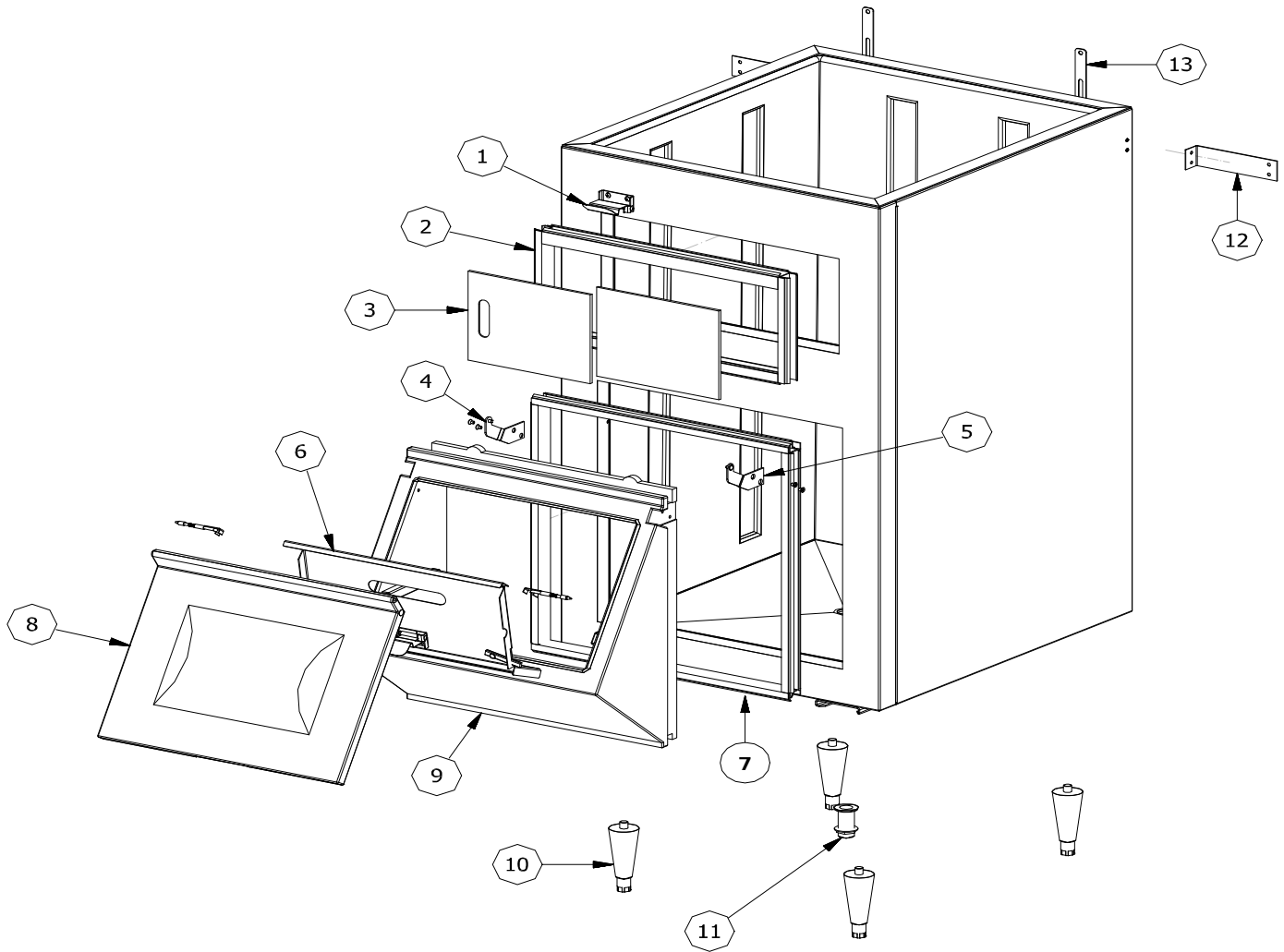


Item	B42	B40-B55	B100 Bin	Description
1	9051559-03	9051559-01	9051559-02	Bin Door, Less Bin Door Brackets
2	9051566-03	9051566-01	9051566-02	Ice Deflector
3	6081004-07	6081004-07	6081004-07	Gasket B100=4.0 ft B40/55=2.52 ft B42=1.85 ft
4	6081037-01	6081037-01	6081037-01	Gasket L Shape B100=7.6 ft B40/55=6.2 ft B42=5.5 ft
5	3012608-01	3012608-01	3012608-01	Connecting Strap
6	9031113-04	9031113-04	9031113-04	Connecting Strap Screw
7	9021001-03	9021001-03	9021001-03	Leg Set (4)
8	9051127-01	9051127-01	9051127-01	Ice Scoop
9	2031310-03	2031310-03	2031310-03	Leg Support (Includes Nut Retainers)
10	9031012-02	9031012-02	9031012-02	Nut Retainer 1/2-13
11	9051126-01	9051126-01	9051126-01	Drain Plug
12	9051569-01	9051569-01	9051569-01	Trim Strip, Right Hand
13	9051569-02	9051569-02	9051569-02	Trim Strip, Left Hand

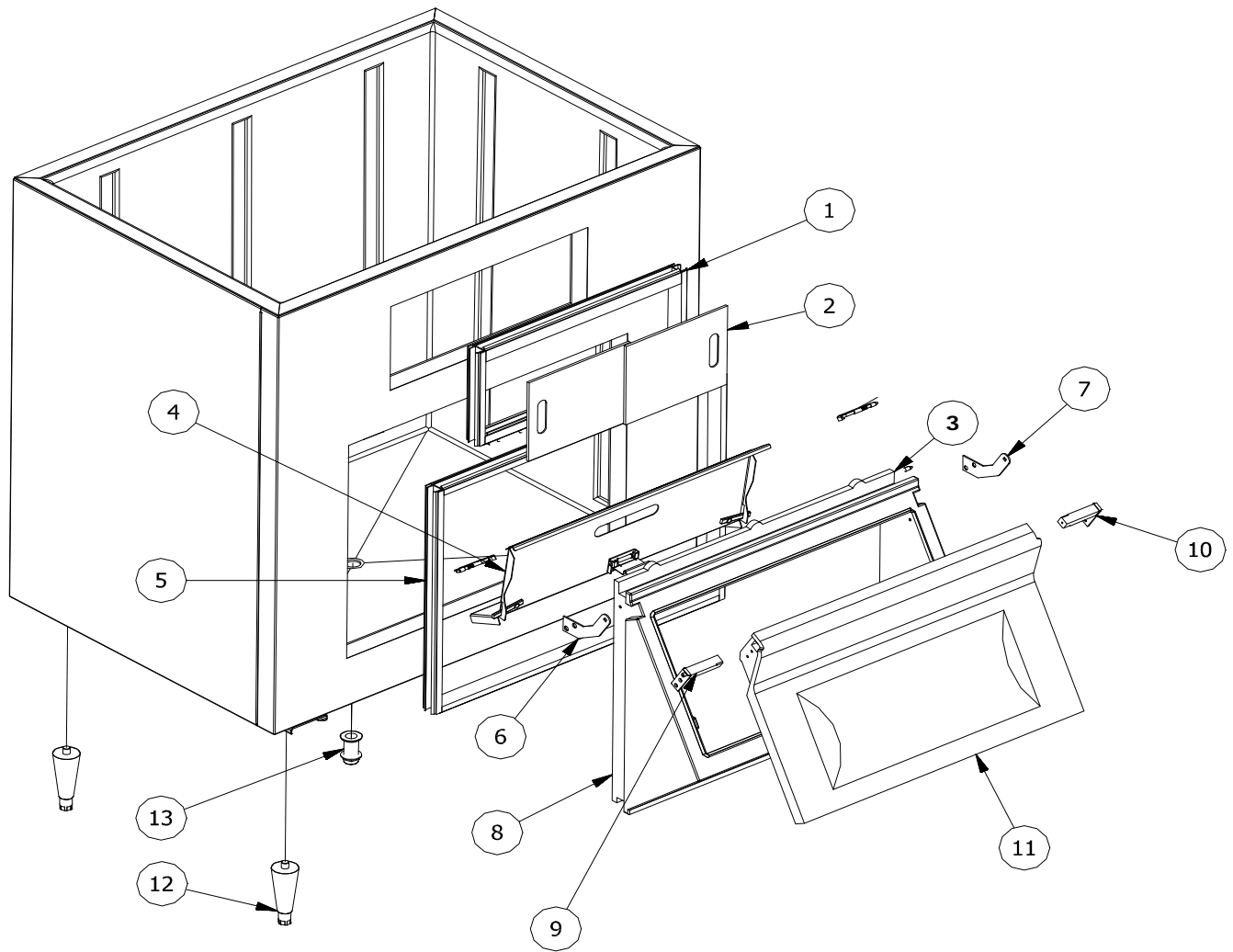


Item	B42	B40-B55	B100 Bin	Description
1	9051559-03	9051559-01	9051559-02	Bin Door, Less Bin Door Brackets
2	9051566-03	9051566-01	9051566-02	Ice Deflector
3	9051629-03	9051629-01	9051629-02	Drip Shield (9051561-01,-02,-03 are NLA)
4	9051567-01	9051567-01	9051567-01	End Cap Cover
5			9021110-02	Pin, Hinge (Triple)
5	NLA	NLA		Pin, Hinge (Double) See Note Below
6	9051560-01	9051560-01	9051560-01	End Cap, Right
7	9051560-02	9051560-02	9051560-02	End Cap, Left
8	3013360-01	3013360-01	3013360-01	Bracket, Bin Door Right
9	3013360-02	3013360-02	3013360-02	Bracket, Bin Door Left
10			9021109-02	Sleeve, Friction (Triple)
10	NLA	NLA		Sleeve, Friction (Dual) See Note Below
11	9131471-01	9131471-01	9131471-01	Hanger, Ice Scoop
12	9031113-03	9031113-03	9031113-03	Screw, Drip Shield to End Cap (2 per Side)
13	2101452-03S	2101452-01S	2101452-02S	Drip Shield Assembly (Includes Item 3,6,7,10,11 and 12)
14	9031098-05	9031098-05	9031098-05	Screw, Drip Shield Assembly to Bin Side Panel (2 Per Side)
15	9031008-15	9031008-15	9031008-15	Screw, Bin Door Hinge (2 per Hinge Required)

Note: The Double Ball Hinge Pin and Double Friction Sleeve are No Longer Available
 The Triple Ball Hinge Pin and Triple Ball Friction Sleeve must be ordered.



Item	B70	B90	Description
1	1011457-29	1011457-29	Snout Door Catch Bracket
2	1011457-12	1011457-12	View Window Extrusion Kit
3	1011457-13	1011457-13	View Window (2 ea.)
4	1011457-26	1011457-26	Poly Snout Door Hinge Left Hand
5	1011457-27	1011457-27	Poly Snout Door Hinge Right Hand
6	1011457-18	1011457-18	Snout Baffle
7	1011457-14	1011457-14	Poly Snout Extrusion Kit
8	1011457-20	1011457-20	Poly Snout Door
9	1011457-22	1011457-22	Poly Snout
10	1011457-24	1011457-24	Leg (Set of 4)
11	1011457-25	1011457-25	Plastic Drain
12	1011457-04	1011457-04	Wall Bracket (2 ea.)
13	1011457-05	1011457-05	Ice Maker Bracket (2 ea.)
	1011457-07	1011457-07	B70/90 30 Inch Adapter Top
	1011457-06	1011457-06	B70/90 1506 Adapter Top
	1011457-01	1011457-01	48 inch Paddle
	1011457-02	1011457-02	60 inch Paddle
	1011457-03	1011457-03	Ice Paddle Bracket



Item	B120	B130	B150	B170	Description
1	1011457-12	1011457-12	1011457-12	1011457-12	View Window Extrusion Kit
2	1011457-13	1011457-13	1011457-13	1011457-13	View Window (2 ea.)
3	1011457-28	1011457-28	1011457-28	1011457-28	Snout Assembly (Includes 4,6,7,8,9,10 & 11)
4	1011457-19	1011457-19	1011457-19	1011457-19	Snout Baffle
5	1011457-15	1011457-15	1011457-15	1011457-15	Poly Snout Extrusion Kit
6	1011457-27	1011457-27	1011457-27	1011457-27	Poly Snout Door Hinge Right Hand
7	1011457-26	1011457-26	1011457-26	1011457-26	Poly Snout Door Hinge Left Hand
8	1011457-23	1011457-23	1011457-23	1011457-23	Poly Snout
9	1011457-17	1011457-17	1011457-17	1011457-17	Spring Loaded Snout Door Hinge Left Hand
10	1011457-16	1011457-16	1011457-16	1011457-16	Spring Loaded Snout Door Hinge Right Hand
11	1011457-21	1011457-21	1011457-21	1011457-21	Poly Snout Door
12	1011457-24	1011457-24	1011457-24	1011457-24	Leg (Set of 4)
13	1011457-25	1011457-25	1011457-25	1011457-25	Plastic Drain

1011457-01	1011457-01	1011457-01	1011457-01	48 inch Paddle
1011457-02	1011457-02	1011457-02	1011457-02	60 inch Paddle
1011457-03	1011457-03	1011457-03	1011457-03	Ice Paddle Bracket
1011457-08	1011457-08	NA	NA	48 inch Poly Top
NA	NA	1011457-09	1011457-09	60 inch Poly Top
1011457-10	1011457-10	1011457-10	1011457-10	9 inch Filler Panel
1011457-11	1011457-11	1011457-11	1011457-11	13 inch Filler Panel