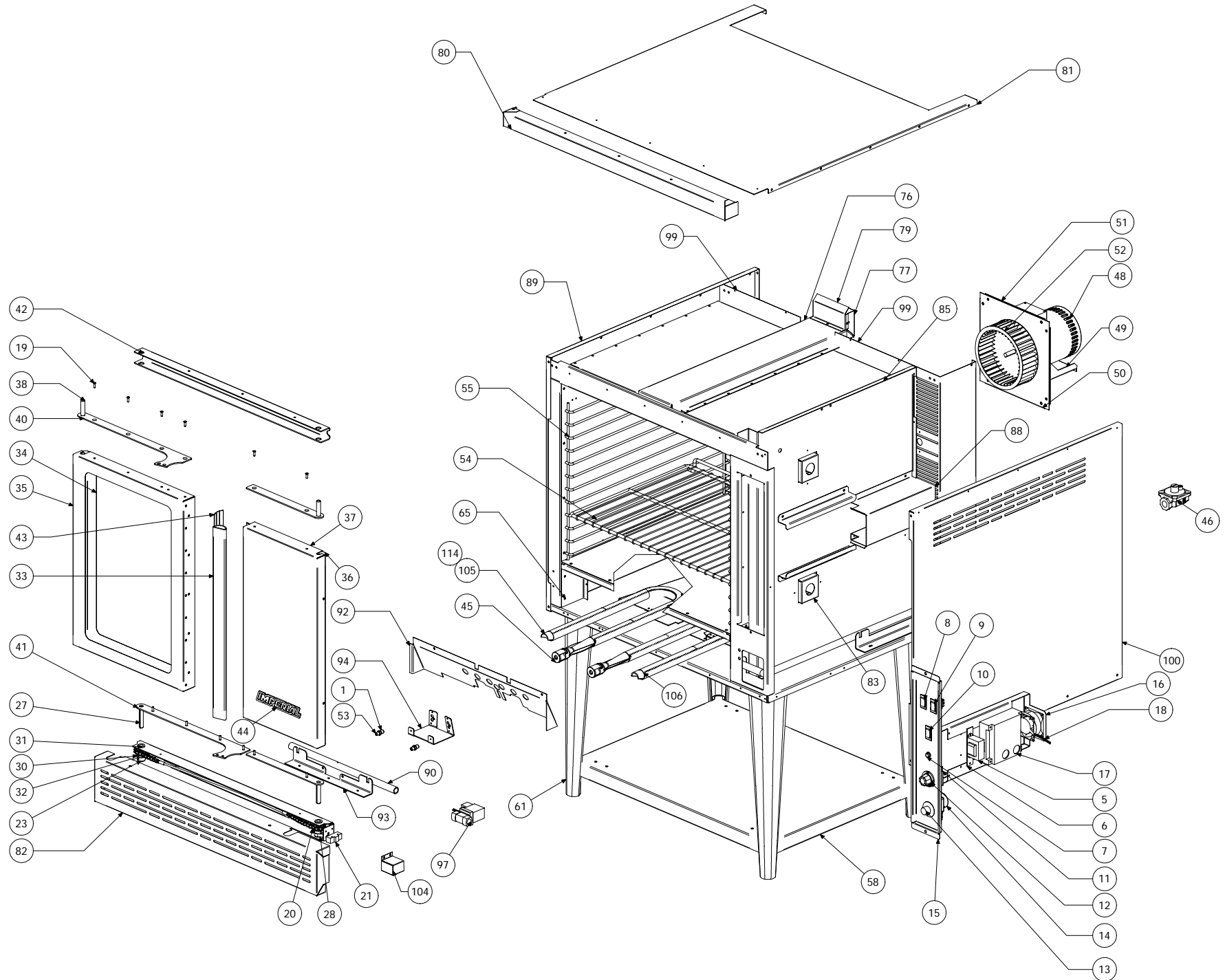


* SEE SHEET 2 FOR ELECTRICAL CONVECTION OVEN COMPONENTS AND PART NUMBERS.



ICV & ICVD Series Convection Ovens

ITEM NO	DESCRIPTION	PART #	ICV	ICVD
1	Burner Orifice- Natural Gas (For LP use 1700-50)	2061	2	*
2	Burner Baffle Bracket - Left	22025-1	1	1
3	Burner Baffle Bracket - Right	22025-2	1	1
4	Manufacturing part- not used in Service parts	33635-1	1	1
5	Transformer- 24 volt	3029-1	1	1
6	Transformer bracket - Not used in Service parts	N/A	1	1
7	Indicator light- use -115 or - 230 for voltage	1124 - ***	1	1
8	Power switch 3 Position ON/OFF/Cool Down	1126	1	1
9	Fan Switch 2 position High/Low	1127	1	1
10	Oven Light switch- momentary	1128	1	1
11	KXT Thermostat Convection Oven	1160	1	1
12	Thermostat knob	1161	1	1
13	Timer knob	1171	1	1
14	Timer- Use -115 or -230 for voltage	32209-***	1	1
15	Control Panel	33613	1	1
16	Fan Panel	33615	1	1
17	Dual spark ignition control	33882	1	1
18	Cooling Fan- Use - 115 or -230 for voltage	33648-***	1	1
19	Countersunk machine screw	32220	12	12
20	Chain Links	30739	2	2
21	ICV door switch- plunger type	1355	1	1
22	Long Rod	30399	2	2
23	1/2 Shaft collar	30331	1	1
24	Short Rod	30392	2	2
25	Turnbuckle	30393	1	1
26	1/4 X 20 Rod eye coupler	30395	4	4
27	Lower Hinge Bar- (welded to hinge at factory)	32172	2	2
28	Door Switch Actuator	32232	1	1
29	Sprocket Key	23016	2	2
30	1/2 Sprocket	34822	2	2
31	1/2 Bronze Bushing	34826	4	4
32	Lower Hinge Frame	35908	1	1
33	Handel	4055	1	1
34	Door Liner- 60 side	22111	1	1
35	Door Panel- 60 side	22113	1	1
36	Door Liner- 40 side	22115	1	1
37	Door Panel- 40 side	22116	1	1
38	Upper Hinge Bar- (welded to hinge at factory)	32173	2	2
39	Upper/Lower Hinge Bracket- 40 side (lower 32237)	32236	1	1
40	Upper Hinge Bracket- 60 side	32238	1	1
41	Lower Hinge Bracket- 60 side	32239	1	1
42	Door Hinge Upper Frame	32230	1	1
43	Vertical Door Seal	32261	1	1
44	Imperial Logo plate	35840	1	1
45	Air Shutter	1036	2	2
46	Gas Pressure Regulator-Nat Gas	1050	1	1
47	Gas Pressure Regulator-LP	1051	1	1

ICV & ICVD Series Convection Ovens

ITEM NO	DESCRIPTION	PART #	ICV	ICVD
48	Convection oven Motor- 1164-*** specifies voltage	1164-**	1	1
49	Motor Support	22069	1	1
50	Heat Plate Front	22076	1	1
51	Heat Barrier Motor Plate	22077	1	1
52	Blower Wheel (ICVD use 1167)	1166	1	*
53	Orifice Adapter	0012	2	2
54	ICV Oven Rack (ICVD use 2042)	2040	EA	EA
55	Oven Rack Guide (ICVD use 2041)	2039	2	2
56	Bottom Base	22006	1	1
57	Leg Channel	22007	2	2
58	Bottom Shelf	22011	1	1
59	Leg Support Channel- Front	22008	4	4
60	Leg Support Channel- Side	22009	4	4
61	Leg Inner Support	.	4	4
62	Leg Plate	22014	4	4
63	Frame- Oven Left	22019	1	1
64	Frame -Oven Top	22020	1	1
65	Frame-Oven Bottom	22021	1	1
66	Burner Baffle R/H	22022	1	*
67	Burner Baffle L/H	22023	1	*
68	Burner Baffle Center	22024	1	*
69	Oven Burner Bracket	22028	1	1
70	Oven- Bottom Back	22031	1	*
71	Oven- Inside Top	22033	1	*
72	Oven- Inside Bottom	22034	1	*
73	Oven- Inside Left Hand	22038	1	*
74	Heat Shield Reinforcement Side Channel	22043	4	4
75	Panel cover top	22065	1	1
76	Flue Way (top)	22067	1	*
77	Flue Way (bottom)	22068	1	*
78	Spacer Collar	22071	1	1
79	Flue Cap	22074	1	1
80	Top Trim	22120	1	1
81	Top Panel	22121	1	*
82	Kick Plate	22124	1	1
83	Light Box	33607	2	2
84	Side Liner- R/H	33603	1	*
85	Side Insulation Cover	33605	1	1
86	Rail, Wiring	33609	2	2
87	Frame- Oven Right	33611	1	1
88	Fan Duct- Short	33618	1	1
89	Side Panel- Left	33625	1	*
90	Pipe- Gas Manifold front	33628	1	1
91	Pipe- Gas Manifold short	33629	1	1
92	Front Baffle	33634	1	1
93	Manifold bracket- front	33635	1	1
94	Bracket- Igniter	33636	1	1

ICV & ICVD Series Convection Ovens

ITEM NO	DESCRIPTION	PART #	ICV	ICVD
95	Cover Oven R/H	34416	1	1
96	Cover Oven L/H	34655	1	1
97	Solenoid Valve 24Volt	36240	1	1
98	Liner- Oven back	35197	1	1
99	Oven Back Panel	35290	1	1
100	Panel- R/H side	22097special	1	*
101	Flue Inlet	22083	1	1
102	Flue Inlet- Plate	22084	1	1
103	Flue Inlet- Cover	35792	1	1
104	Switch Cover	35907	1	1
105	L/H "U" Burner (Future Production)	36141	1	*
106	R/H "U" Burner (Future Production)	36142	1	*
	Straight style burner (current production)	1035	2	*
	ELECTRIC CONVECTION OVEN PARTS			
107	Oven Motor	1164-220	1	1
108	Element 208/230 V (Call factory for alternate voltage)	34736	1	*
109	Contactoer 208/230 V coil 50 Amp	35470	1	1
110	Buzzer (use 33496 for 115 volts)	33496-230	1	1
111	Indicator Light	1124-230	1	1
112	Timer	32209-230	1	1
113	Cooling Fan- 230 volt	33648-230	1	1
*	For ICVD parts please contact factory if not listed			
	If Item is listed in parts list, but does not have a call out on exploded diagram Item may			
	not be field replaceable. Some items have been listed for engineering purposes.			