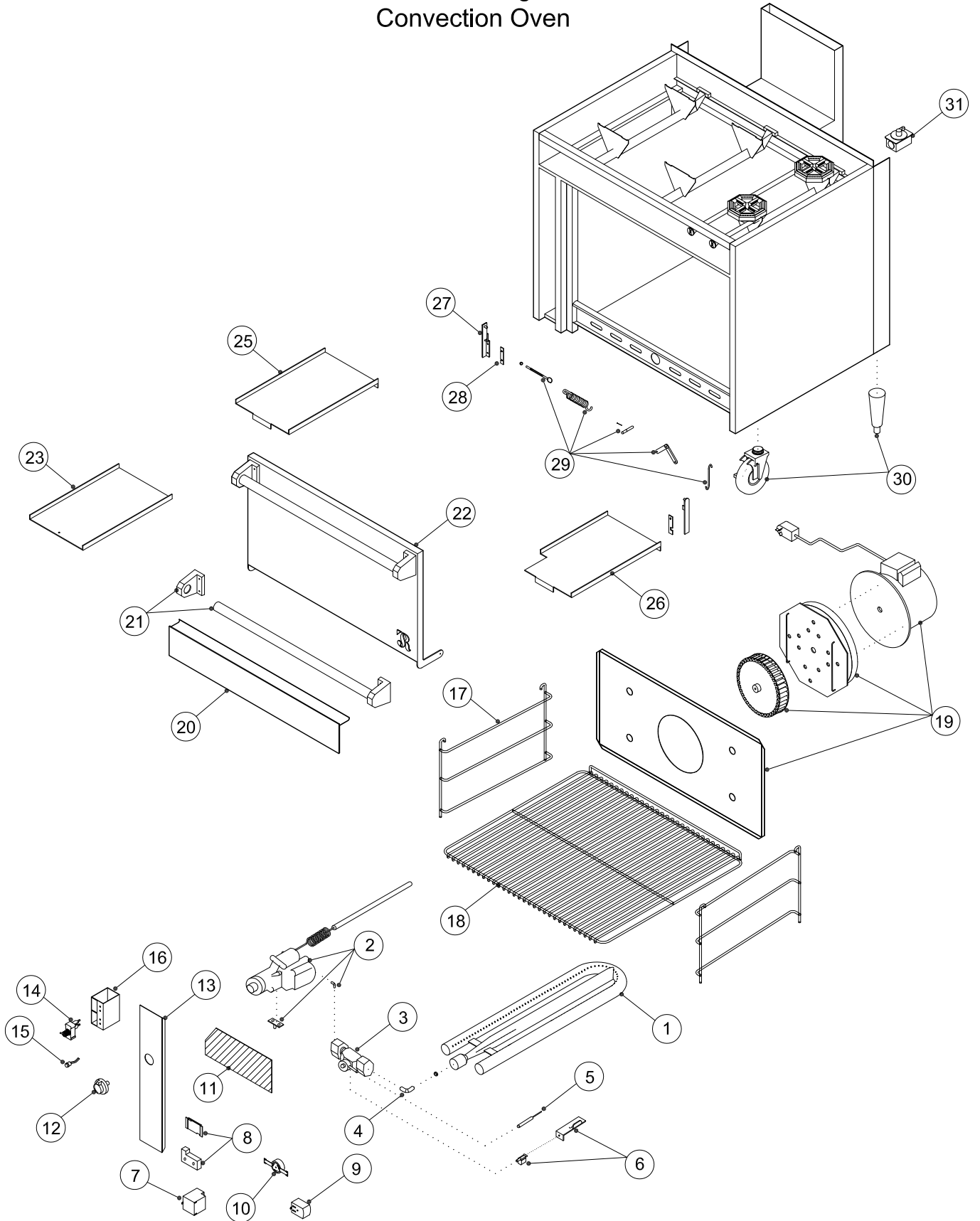


BISTRO SERIES - JBR

Bistro Range Convection Oven



BISTRO JBR CONVECTION OVEN

| ITEM | DESCRIPTION | PART # | LIST |
|------|---|------------|------|
| 1 | OVEN/GRIDDLE/HOT TOP BURNER ASSY | 2500010873 | |
| | ORIFICE ELBOW FOR OVEN BURNER | 1815700000 | |
| | COVER PLATE FOR OVEN BURNER | 2100013988 | |
| 2 | THERMOSTAT - BJWA OVEN | 4634700000 | |
| | MOUNTING FLANGE | 8284530000 | |
| | 3/8" X 1" S/S TUBING (SOLD PER FOOT) | 5619500000 | |
| | NUT 3/8" COMP. | 1833000000 | |
| | SLEEVE, (FERRULE) 3/8" COMP. | 1816900000 | |
| 3 | ELBOW, 90 1/4" CC X 1/4" MNPT | 1815700000 | |
| | OVEN SAFETY VALVE ASSY W/ FITTINGS & MTG BRACKET (BASO) | 2500010513 | |
| 4 | BASO SAFETY VALVE ONLY | 3000010243 | |
| | ORIFICE, OVEN BURNER, FULL SIZE, #39 NAT | 4620800000 | |
| 5 | ORIFICE, OVEN BURNER, FULL SIZE, #52 L.P. | 4621400000 | |
| | THERMOCOUPLE 12" (JBR-24) | 4621700000 | |
| 6 | THERMOCOUPLE 18" (JBR-36) | 4612600100 | |
| | THERMOCOUPLE 18" (JBR-36C) | 4620100000 | |
| | PILOT FOR STANDARD OVEN | 4616600100 | |
| 7 | PILOT FOR CONVECTION OVEN | 4619600000 | |
| | PILOT ORIFICE SPUD NAT #18 | 4617900000 | |
| | PILOT ORIFICE SPUD L.P. #10 | 4623700000 | |
| | PILOT BRACKET HOLDER | 1123200000 | |
| | 1/4" S/S TUBING X 30" | 3000011568 | |
| | NUT 1/4" COMP. | 1830700000 | |
| | SLEEVE (FERRULE) 1/4" COMP. | 1832200000 | |
| | IGNITION MODULE (BLUE) | 3000010030 | |
| 8 | SWITCH, MICRO DOOR | 3000011750 | |
| | MICRO SWITCH PLATE | 2035000000 | |
| | MICRO SWITCH COVER | 2043500000 | |
| 9 | RECEPTACLE, 110V, 15A, TWIST LOC | 2034900000 | |
| 10 | PLUG, TWIST LK RT/ANG, 120V, 15A | 2034700000 | |
| 11 | START CAPACITOR | 3000011490 | |
| 12 | DIAL STD. (TOP STAT) | 3018600000 | |
| | DIAL REVERSE (BOTTOM STAT) | 3018500000 | |
| | BEZEL (NOT SHOWN) STD. (TOP STAT) | 3013100000 | |
| | BEZEL (NOT SHOWN) REVERSE (BOTTOM STAT) | 3011600000 | |
| 13 | OVEN CONTROL PANEL FOR STD OVEN | 2100013995 | |
| | OVEN CONTROL PANEL FOR CONV OVEN | 2100013996 | |
| 14 | SWITCH, TOGGLE (ON-OFF) POWER | 3000012003 | |
| | RUBBER BOOT, TOGGLE SWITCH | 2035400000 | |
| | ROCKER SWITCH, WHITE (3-POSITION) HI-OFF-LOW | 2035600000 | |
| | ROCKER SWITCH, BLACK (DOUBLE CONVECTION) FAN | 2035500000 | |
| 15 | LAMP, INDICATOR RED 120V (CONV.) | 3000012005 | |
| 16 | SWITCH HOLDER (CONV.) | N/A | |
| 17 | RACK GUIDE (CONV.) | 1410500000 | |
| 18 | OVEN RACK, JBR-36 (29 3/4" X 22 3/4") CONV. | 1410200100 | |
| | OVEN RACK, JBR-24 (18 5/8" X 19 5/8") CONV. | 1412100000 | |
| 19 | MOTOR, 1/3 HP | 3098710V | |
| | BASE, MOTOR MOUNT (W/ HANDLES) | 3025500100 | |
| | BLOWER WHEEL, 8" | 3018800000 | |
| | FAN BAFFLE W/ WING NUTS, JBR-24 | 1112100000 | |
| | FAN BAFFLE W/ WING NUTS, JBR-36 | 1131800000 | |
| 20 | S/S KICK PLATE, JBR-24 | 1132320000 | |
| | S/S KICK PLATE, JBR-36 | 1132310000 | |
| 21 | BRACKET, HANDLE | 3010400100 | |
| | DOOR HANDLE, JBR-24 | 1141400000 | |
| | DOOR HANDLE, JBR-36 | 1112000000 | |
| | MOUNTING BRACKET SCREW (NOT SHOWN) | 3463400000 | |
| 22 | OVEN, DOOR ASSY. JBR-24 | 2500129706 | |
| | OVEN, DOOR ASSY. JBR-36 | 2500129708 | |
| 23 | FLAME SPREADER - JBR | 1132500000 | |
| 25 | OVEN BOTTOM BAFFLE - JBR - LEFT | 2574802V | |
| 26 | OVEN BOTTOM BAFFLE - JBR - RIGHT | 2574801V | |
| 27 | DOOR HINGE ASSY LH | 3043400000 | |
| | DOOR HINGE ASSY RH | 3043700000 | |
| | BOLT, 1/4-20 X 1 HXZN | 3425600000 | |
| | NUT, 1/4-20 X 1 HXZN | 3426200000 | |
| | WASHER, 1/4 PL SPLIT LOCK | 3432800000 | |
| 28 | DOOR SHIM (SET OF FOUR) | 8490300000 | |
| 29 | DOOR SPRING | 3014400000 | |
| | ROCKER ARM (10/98 - PRESENT) | 1017400000 | |
| | EYE BOLT W/ NUT | 3419500000 | |
| | CLEVIS PIN | 3414100000 | |
| | COTTER PIN | 3429400000 | |
| | "S" HOOK | 3012900000 | |
| | SPRING PLIERS | 3056200000 | NLA |
| 30 | CASTER (NON-LOCKING) 6" DIA | 3000011272 | |
| | CASTER (LOCKING) 6" DIA | 3000011271 | |
| | LEGS, 6" | 3012700000 | |
| 31 | REGULATOR, GAS NAT. 5.0 W.C. 3/4" | 4613500000 | |
| | REGULATOR, GAS LP. 10.0 W.C. 3/4" | 4613400000 | |