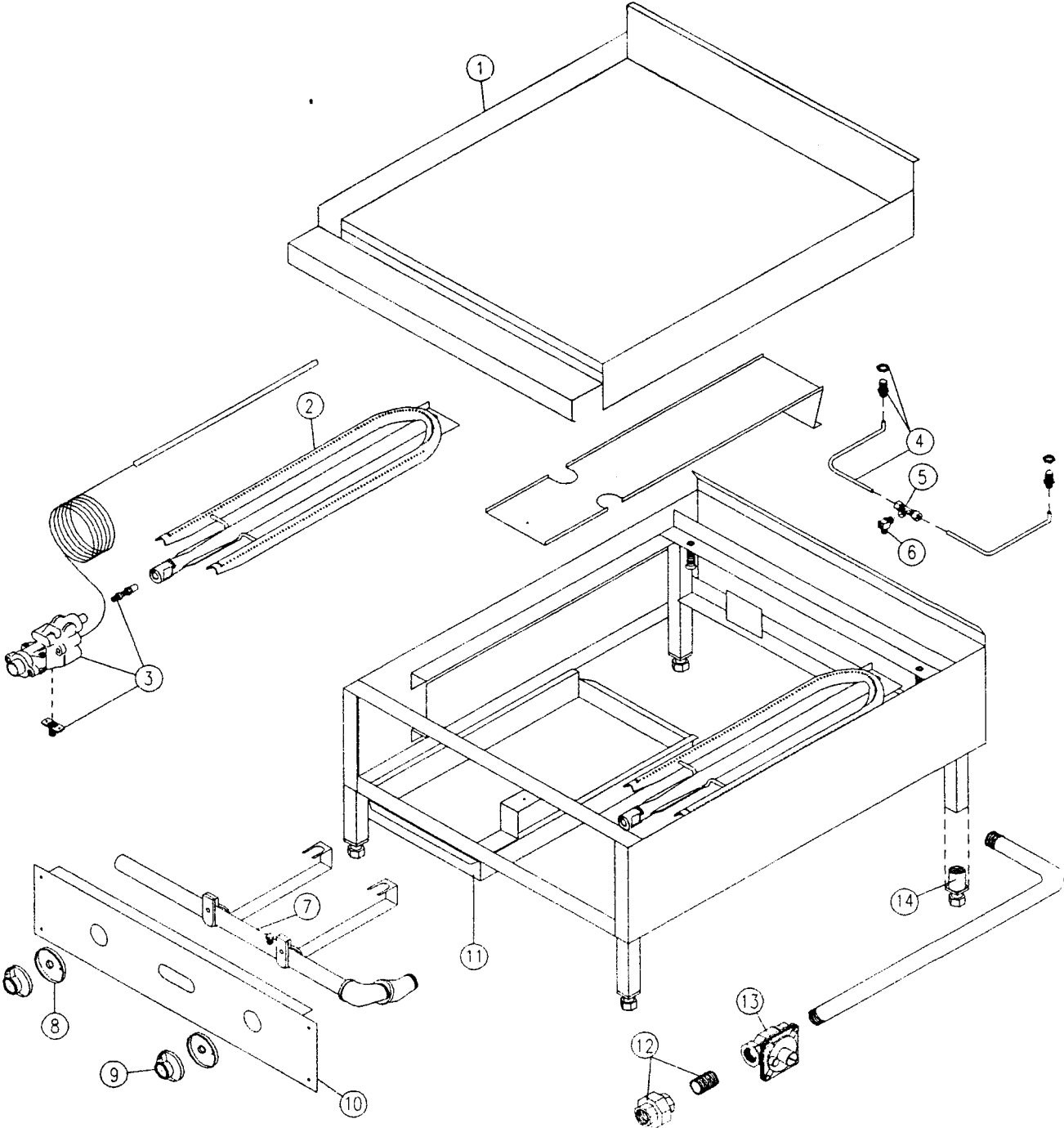


JGT/JGGT THERMOSTATICALLY CONTROLLED GRIDDLE



JGT/JGGT - DESCRIPTION

PART NO

| 1 | PLATE | LIST MODEL | | |
|----|--|------------|-----|-----|
| 2 | BURNER U , GRIDDLE W/ AIR SHUTTER 23 1/2 W/ BRACKET | 120 | 101 | 000 |
| | BURNER U , GRIDDLE W/ AIR SHUTTER 22 W/O BRACKET X 6 1/8 | | | |
| | AIR SHUTTER | 300 | 141 | 000 |
| | SCREW, AIR SHUTTER 10/24 X 3/8" | 340 | 540 | 000 |
| 3 | THERMOSTAT. GRIDDLE | 460 | 101 | 000 |
| | FLANGED NIPPLE | 460 | 235 | 000 |
| | ORIFICE HOLDER GRIDDLE | 460 | 234 | 000 |
| | ORIFICE, #43 NAT. | 460 | 207 | 000 |
| | ORIFICE, #53 L.P. | 460 | 217 | 000 |
| | TUBING S/S 3/8" X1" | 560 | 127 | 000 |
| | SLEEVE (FERRULE), 3/8" | 180 | 169 | 000 |
| | COMP. NUT, 3/8" | 180 | 330 | 000 |
| 4 | PILOT, TIP S/S W/HEX NUT | 460 | 112 | 000 |
| | TUBING S/S 1/2" X 1" | 560 | 128 | 000 |
| | COMP. NUT 1/4" | 180 | 307 | 000 |
| | SLEEVE (FERRULE), 1/4- | 180 | 322 | 000 |
| 5 | TEE.BR 1/4" CC x 1/4" CC x 1/8" FNPT | 180 | 429 | 000 |
| 6 | VALVE, PILOT SINGLE | 440 | 128 | 000 |
| 7 | MANIFOLD | LIST MODEL | | |
| | ELBOW, ST 3/4" 90 | 180 | 128 | 000 |
| | ELBOW, ST 3/4" 45 | 180 | 140 | 000 |
| | PLUG, 1/8 HX HD BLK | 180 | 130 | 000 |
| 8 | BEZEL | 300 | 131 | 000 |
| 9 | DIAL, (FOR T/STAT) | 300 | 157 | 000 |
| 10 | FRONT PANEL | LIST MODEL | | |
| 11 | GREASE CAN 9" X 20" X 1 1/2" | 150 | 325 | 000 |
| 12 | UNION, 3/4" | 180 | 148 | 000 |
| | NIPPLE 3/4" CLOSED | 180 | 132 | 000 |
| 13 | REGULATOR, 3/4" 10.0 L.P. | 460 | 134 | 000 |
| | REGULATOR, 3/4" 5.0 NAT. | 460 | 135 | 000 |
| 14 | LEG, HEAVY DUTY SM PLATED | 300 | 118 | 000 |