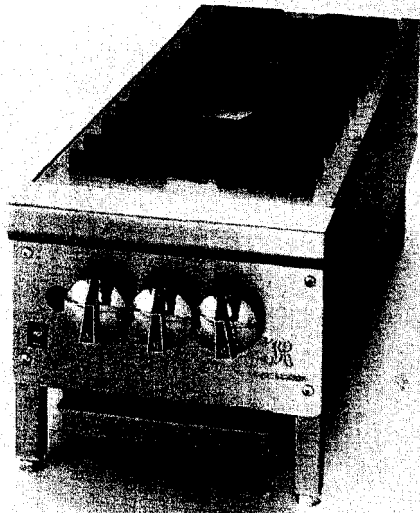


# JADE RANGE

ITEM # \_\_\_\_\_

## THREE BURNER HOT PLATE



JHP-312

Model No.	Description
-----------	-------------

<input type="checkbox"/>	JHP-312 3 Open burners, 12" wide
--------------------------	----------------------------------

### STANDARD FEATURES

- #304 Stainless steel front & plate shelf
- 15,000 BTU/hr. cast iron open burner
- Lift-off cast iron "spider top" grates
- 14 Gauge all welded construction
- Stainless steel gas tubing throughout
- One stainless steel pilot per burner
- 14 Gauge welded drip tray
- Stainless steel legs
- 3/4" Gas regulator (shipped loose, MUST be installed for proper operation)

### OPTIONS & ACCESSORIES

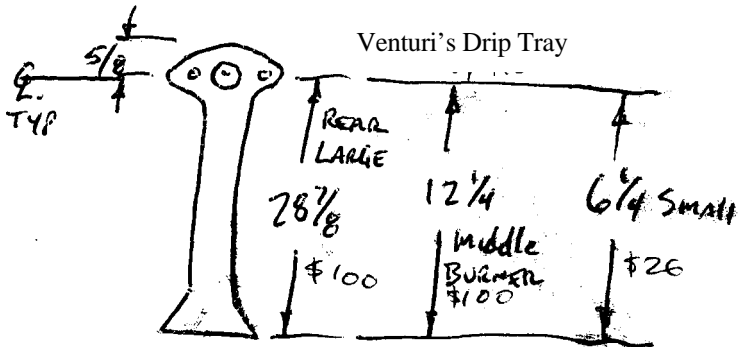
**NOTE:** When stainless steel specified, Jade Range uses heavy gauge # 304 stainless steel

- Stainless steel side(s). Left  Right
- 36" Flex hose with quick disconnect & restraining device
- 48" Flex hose with quick disconnect & restraining device

P/N - None

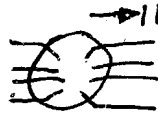
Rear Assy.

Middle Assy. Front Assy.



#978 TOP GRATE  
100-119-000

GRATES



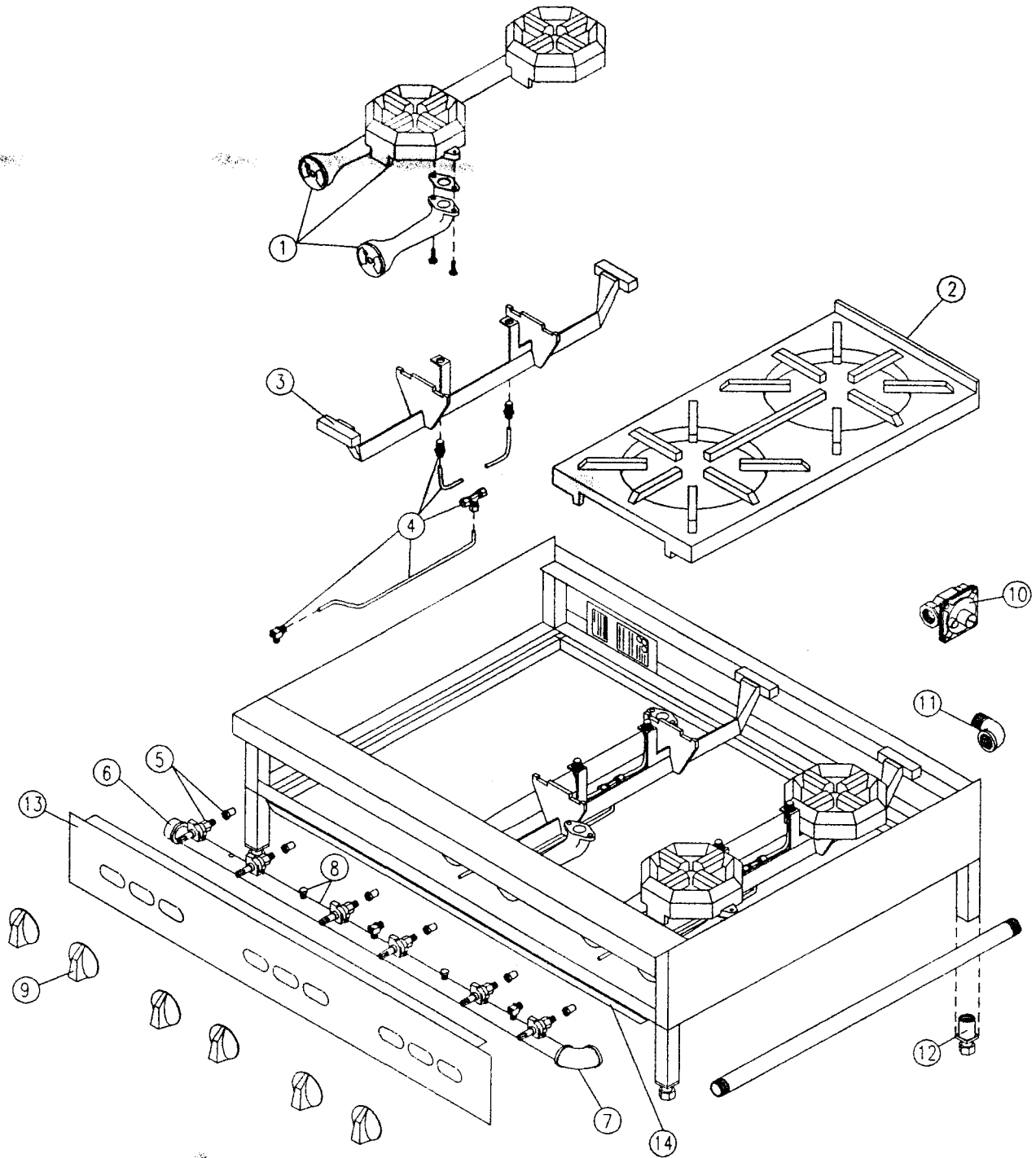
1" TO FIT  
UNITS W/ JAM  
CUT OFF 1"



**JADE RANGE**  
**JADE REFRIGERATION**  
**UTILITY REFRIGERATOR**  
7355 East Slauson Ave. Commerce, CA 90040  
PH:(213) 728-5700 FAX:(213) 728-2318



# JHP HOT PLATE



**JHP - DESCRIPTION****PART NO**

1	BURNER ASSY. FRONT 920/906	119	135	140
	BURNER ASSY. REAR 920/918	119	135	141
	BURNER, 920 HEX LARGE	100	135	000
	BURNER, 915 HEX SMALL	100	136	000
	GASKET #920	300	226	000
	BOLT, 1/4-20 X 3/4 HX S/S	340	380	000
	VENTURI, 906 ,FRONT	100	140	000
	VENTURI, 918 ,REAR	100	141	000
	AIR SHUTTER	300	126	000
	SCREW, #10 10 X 1/2TRPHZN	340	280	000
2	GRATE,1212	100	101	000
	GRATE,1224	100	102	B00
	GRATE, SPIDER #978 (JHP 312)	100	119	000
	GRATE, SPECIAL "S" 6 X 24'			
3	PLATE, 27" X 11 1/2" X 1" PL (JHP 312)	600	217	000
	HANGER, BURNER BLK/W/BRCKT	100	129	000
4	PILOT, TIP S/S W/ HEX NUT	460	112	000
	TEE, 1/4"X1/4"X1/4"COMP.	180	231	000
	VALVE, PILOT SINGLE	440	128	000
	PILOT S/S TIP	460	112	000
	PILOT TUBING, 1/4" S/S (SOLD BY THE FOOT)	560	128	000
	NUT, 1/4" COMP.	180	307	000
5	SLEEVE, (FERRULE) 1/4"	180	322	000
	VALVE, MANUAL	440	110	000
	ORIFICE, #45 NAT.	460	209	000
6	ORIFICE, #55 L.P.	460	211	000
	CAP 3/4" DIA PIPE	180	181	000
7	ELBOW, 3/4" 90	180	128	000
	MANIFOLD	LIST MODEL		
8	PLUG, 1/8" HX HD BLK	180	130	000
	KNOB, CHROME	300	231	000
9	REGULATOR, 3/4" 10.0 L.P.	460	134	000
	REGULATOR, 3/4" 5.0 NAT.	460	135	000
10	ELBOW, 3/4" 90	180	128	000
	LEG, HEAVY DUTY SM PLATED	300	118	000
11	PANEL, FRONT JHP-112	230	265	136
	PANEL, FRONT JHP-212	230	265	137
	PANEL, FRONT JHP-224	230	265	138
	PANEL, FRONT JHP-336	230	265	139
	PANEL, FRONT JHP-424	230	265	140
	PANEL, FRONT JHP-448	230	265	141
	PANEL, FRONT JHP-636	230	265	142
	PANEL, FRONT JHP-848	230	265	143
	PANEL, FRONT JHP-1060	230	265	144
12	DRIP TRAY, JHP-112	230	325	153
	DRIP TRAY, JHP-212	230	325	
	DRIP TRAY, JHP-224	230	325	154
	DRIP TRAY, JHP-336	230	325	155
	DRIP TRAY, JHP-424	230	325	
	DRIP TRAY, JHP-448	230	325	195
	DRIP TRAY, JHP-636	230	325	
	DRIP TRAY, JHP-848	230	325	
	DRIP TRAY, JHP-1060	230	325	194