



5599 Highway 31 West  
Portland, TN 37148  
(615) 325-2774

---

# LCHR-1220-4-SPOD

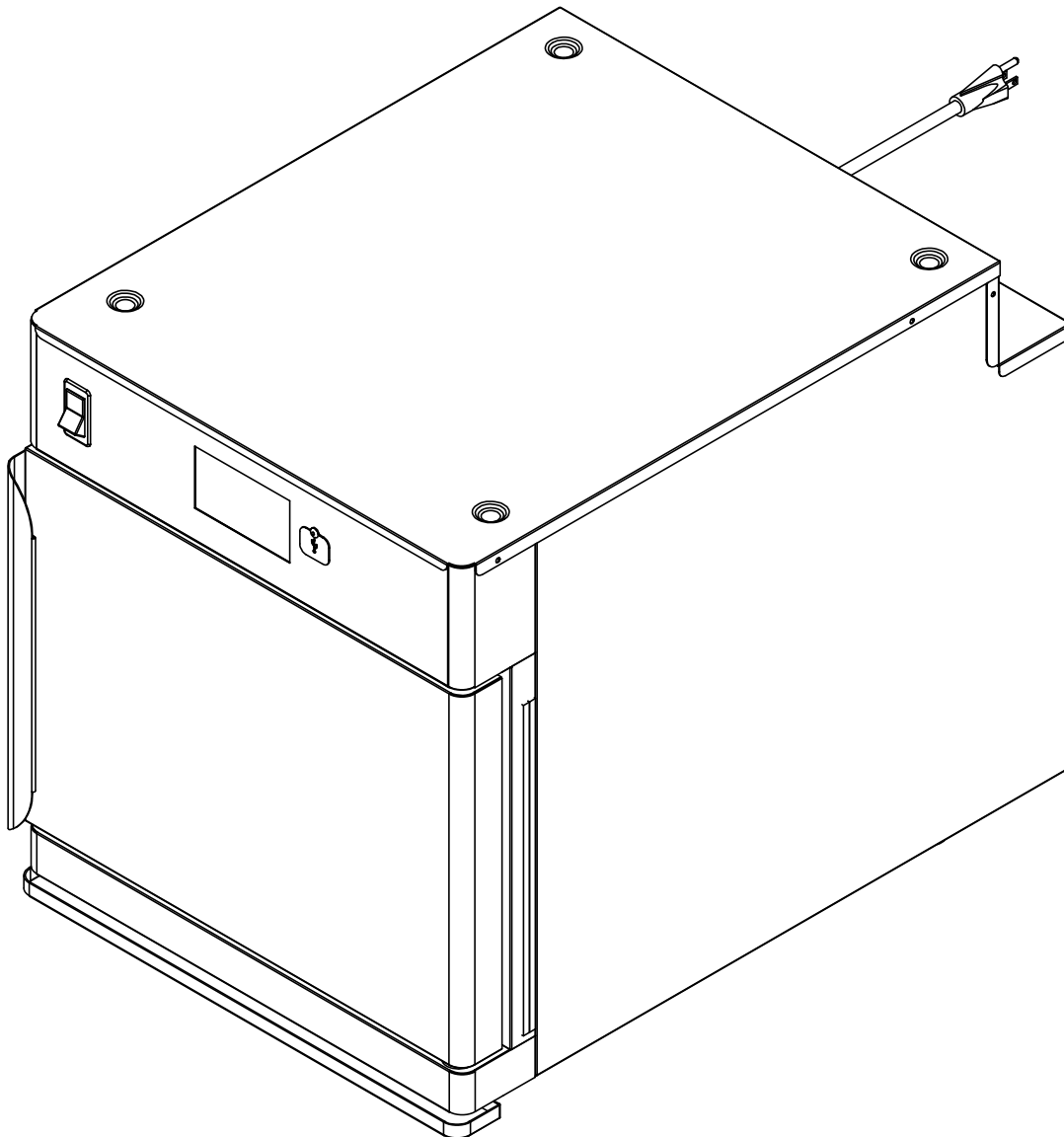
---

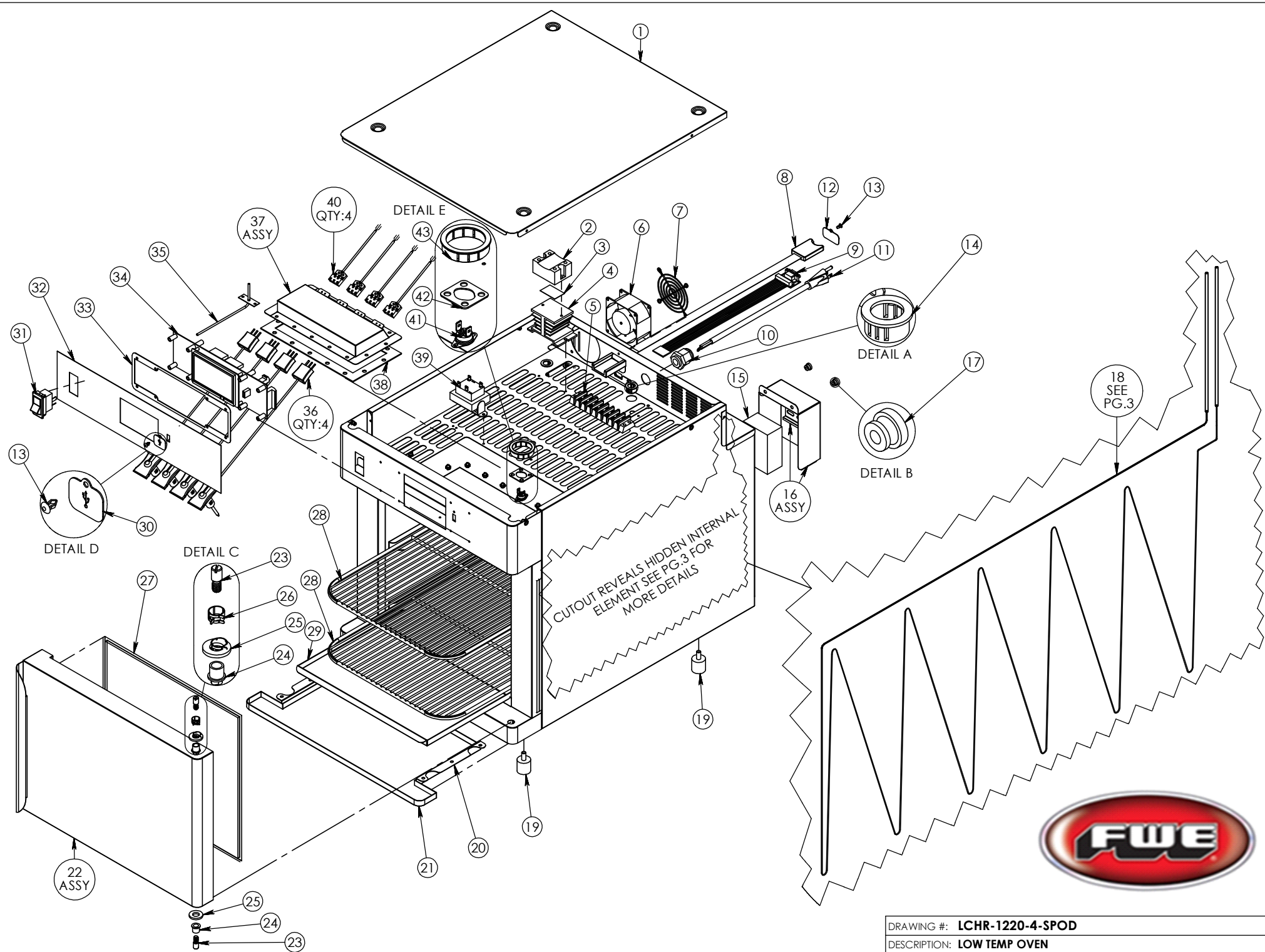
Pg.1 ..... Title Page

Pg.2 ..... LCHR-1220-4-SPOD

Pg.3 ..... Element Page

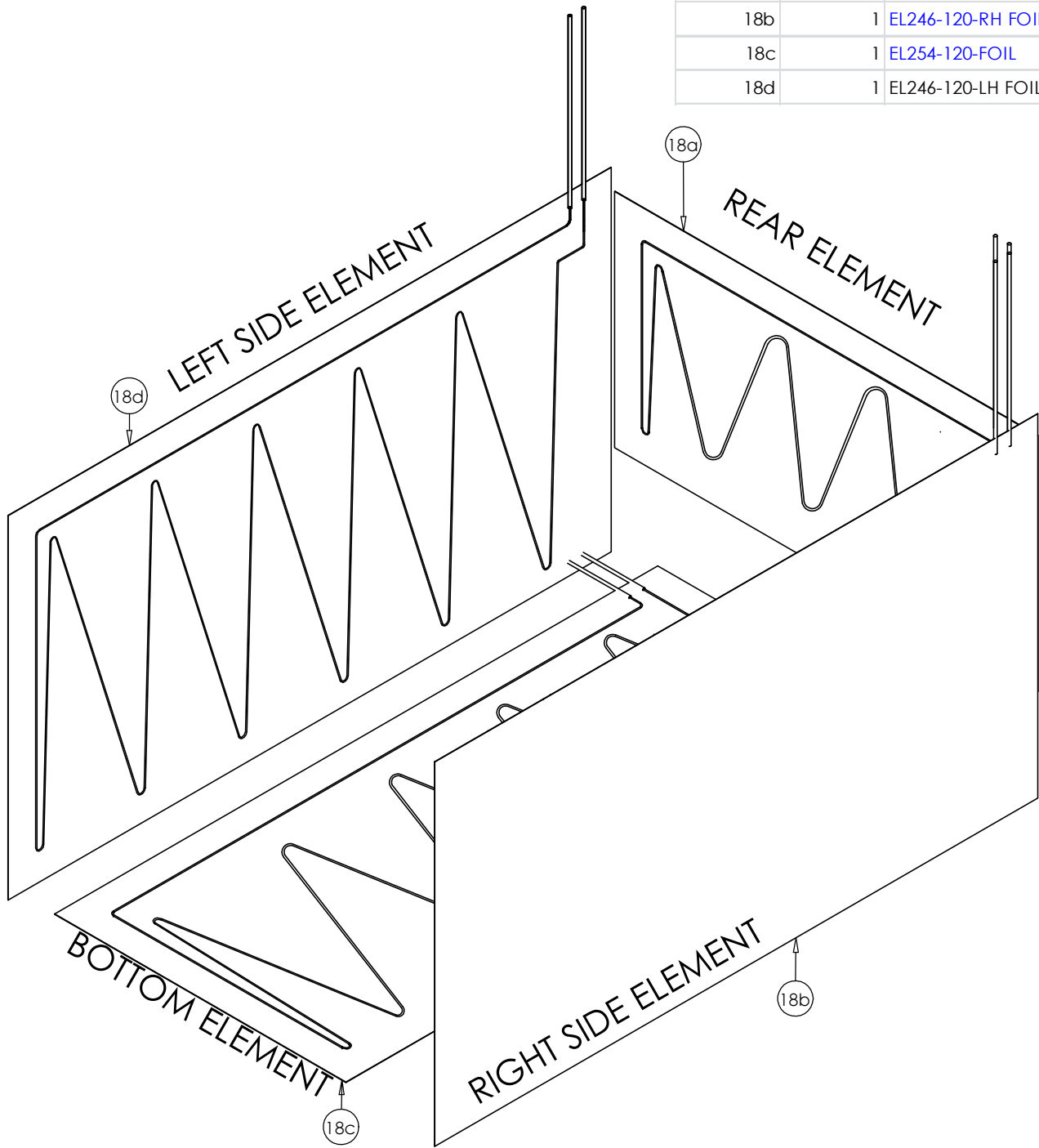
Pg.4 ..... LCHR-1220-4-SPOD BOM





DRAWING #: <b>LCHR-1220-4-SPOD</b>	
DESCRIPTION: <b>LOW TEMP OVEN</b>	
DRAWN BY: JR	LAST SAVED BY: dplodzien

18a	1	<a href="#">EL197-120-FOIL</a>	ELEMENT 197W 120V FOIL REAR
18b	1	<a href="#">EL246-120-RH FOIL</a>	ELEMENT 246W 120V 36" LEAD FOIL RH
18c	1	<a href="#">EL254-120-FOIL</a>	ELEMENT 254W 120V FOIL BOTTOM
18d	1	<a href="#">EL246-120-LH FOIL</a>	ELEMENT 246W 120V 36" LEAD FOIL LH



DRAWING #: <b>LCHR-1220-4-SPOD</b>	
DESCRIPTION: <b>LOW TEMP OVEN</b>	
DRAWN BY: JR	LAST SAVED BY: dplodzien

ITEM NO.	QTY.	PART NO.	DESCRIPTION
1	1	24952	LCH-1220-4-G3 OUTSIDE TOP
2	1	RLY 25-AMP	SS RELAY 25A
3	1	SSR THERMAL PAD	THERMAL PAD KK071CUT
4	1	SSR HEAT SINK	X50 HEAT SINK - PANEL MOUNT
5	1	TRM BLK-08	TERMINAL BLOCK -8 POLES
6	1	FAN PHTT 115	SUNON 115V FAN,80 X 80 X 38MM
7	1	GRD FAN	FAN GUARD
8	1	SD EXT	SD CARD READER EXTENSION CABLE
9	1	CBL DB-9	DB-9 CABLE
10	1	STRN RELIEF LTF 13.5	STRAIN RELIEF HEYCO 3216
11	1	CRDSET10-115-8	CORD 8' 115V 5-15P 14GA 3WR 10AMP
12	1	68780	LCH-1220-4-ARB SD COVER
13	2	RIVET NYLON	NYLON KEYHOLE SHANK RIVET
14	3	BSH 3-4	HEYCO BUSHING 3/4
15	1	S-POD	SPOD WITH CABLE FOR COOK AND HOLD
16	1	Z-600-4814	LCH-1220-4-G3 S-POD COVER ASSY
17	2	N10-24 KNURZ	NUT KNURL 10-24 BRASS ZP
18	1	ELEMENTS	SEE PAGE 3 FOR MORE DETAILS
18A	1	EL197-120-FOIL	ELEMENT 197W 120V FOIL REAR
18B	1	EL246-120-RH FOIL	ELEMENT 246W 120V 36" LEAD FOIL RH
18C	1	EL254-120-FOIL	ELEMENT 254W 120V FOIL BOTTOM
18D	1	EL246-120-LH FOIL	ELEMENT 246W 120V 36" LEAD FOIL LH
19	4	FT 1-RB 5-16	FOOT RUBBER 1" DIAM 5/16-18 STUD
20	1	68316	LCHR-1220-4 DRIP CATCH
21	1	68317	LCHR-1220-4 OUTSIDE DRIP PAN
22	1	Z-301-3992 (INCLUDES PARTS 23-27)	LCHR-1220-4-G3 DOOR ASSY
23	2	PIN DOOR	5/16 X 18 X 1" PIN W/SLOT 18-8 SS
24	2	BEARING-SLV-3-8 DIA	BRONZE FLANGED SLEEVE BEARING 3/8"D
25	2	BEARING-THRUST-100x50x125	THRUST BEARING 1.00OD 1/2ID 1/8 THK
26	1	CLP TENSION	TENSION BAND CLAMP 0.46"-.54"
27	1	GSKT-D-14-375X12-75	GASKET-D 14.375X12.75
28	2	SHLF 19X13	WIRE SHELF 19.5 X 13.3125 NICKEL
29	1	67212	LCH-1220-4-G3 DRIP PAN
30	1	67940	LCH-1220-4-G3 USB COVER
31	1	SWH RCK E1	SWITCH NON-LT ROCKER 125/250V 20AMP
32	1	CNTRL PNL TS AR	AR OVERLAY TOUCH SCREEN
33	1	68607	LCHR-1220-4 VAST CONTROL SPACER
34	1	CNTRL BRD-TS LCH 4.3	CONTROL BOARD/TOUCHSCREEN 4.3"
35	1	PRB RTD	RTD TEMPERATURE PROBE
36	4	PRB RTD 1K	RTD CORE PROBE 1K 26" LEADS
37	1	Z-600-4814	LCHR-1220-4-G3 S-POD COVER ASSY
38	1	GSKT LCH 1220	SILICONE SPONGE 1/16" D/C W/PSA
39	1	TRNS-120-24-20VA	TRANSFORMER 120V/24V 20VA
40	4	PRB RTD 12	RTD THERMOCOUPLE PROB CONN ASSY 12"
41	1	HI-LIMIT 257 DEG	HI-TEMP SNAP DISC 257 DEG. F AUTO
42	1	67594	MOUNTING PLATE FOR HI-LIMIT 500DEG
43	1	BSH 1 3-4	HEYCO BUSHING 1 3-4



DRAWING #: **LCHR-1220-4-SPOD**

DESCRIPTION: **LOW TEMP OVEN**

DRAWN BY: JR

LAST SAVED BY: dplodzien