

LangTM

A Division of Star Mfg. Int'l, Inc.

**Electric Cruise Line
Double Broiler
w/ Cabinet Base
CLB36C-440V**

**Installation and
Operation
Instructions**

2M-W1255 Rev.A 12/30/2008



CLB36C-440V



Lang Lang Lang Lang
A Division of Star Mfg. Int'l, Inc. A Division of Star Mfg. Int'l, Inc. A Division of Star Mfg. Int'l, Inc. A Division of Star Mfg. Int'l, Inc.

SAFETY SYMBOL



These symbols are intended to alert the user to the presence of important operating and maintenance instructions in the manual accompanying the appliance.

RETAIN THIS MANUAL FOR FUTURE REFERENCE NOTICE

Using any part other than genuine Star factory supplied parts relieves the manufacturer of all liability.

Star reserves the right to change specifications and product design without notice. Such revisions do not entitle the buyer to corresponding changes, improvements, additions or replacements for previously purchased equipment.

Due to periodic changes in designs, methods, procedures, policies and regulations, the specifications contained in this sheet are subject to change without notice. While Star Manufacturing exercises good faith efforts to provide information that is accurate, we are not responsible for errors or omissions in information provided or conclusions reached as a result of using the specifications. By using the information provided, the user assumes all risks in connection with such use.

MAINTENANCE AND REPAIRS

Contact your local authorized service agent for service or required maintenance. Please record the model number, serial number, voltage and purchase date in the area below and have it ready when you call to ensure a faster service.

Model No. _____
Serial No. _____
Voltage _____
Purchase Date _____

Authorized Service Agent

Reference the listing provided with the unit

or

for an updated listing go to:

Website: www.star-mfg.com
E-mail Service@star-mfg.com
Telephone: (800) 807-9054 Local (314) 781-2777

The Star Service Help Desk

Business Hours: 8:00 am to 4:30 p.m. Central Standard Time

Telephone: (800) 807-9054 Local (314) 781-2777

Fax: (800) 396-2677 Local (314) 781-2714

E-mail Parts@star-mfg.com
Service@star-mfg.com
Warranty@star-mfg.com

Website: www.star-mfg.com

Mailing Address: Star Manufacturing International Inc.
10 Sunnen Drive
St. Louis, MO 63143
U.S.A

THIS MANUAL MUST BE RETAINED FOR FUTURE REFERENCE. READ, UNDERSTAND AND FOLLOW THE INSTRUCTIONS AND WARNINGS CONTAINED IN THIS MANUAL.

FOR YOUR SAFETY

DO NOT STORE OR USE GASOLINE OR OTHER FLAMMABLE VAPORS AND LIQUIDS IN THE VICINITY OF THIS OR ANY OTHER APPLIANCE.

WARNING: IMPROPER INSTALLATION, ADJUSTMENT, ALTERATION, SERVICE OR MAINTENANCE CAN CAUSE PROPERTY DAMAGE, INJURY OR DEATH. READ THE INSTALLATION, OPERATING AND MAINTENANCE INSTRUCTIONS THOROUGHLY BEFORE INSTALLING OR SERVICING THIS EQUIPMENT.

NOTICE: THIS EQUIPMENT IS APPROVED FOR INSTALLATION ONLY ON VESSELS GREATER THAN 65 FEET IN LENGTH, IN ACCORDANCE WITH USCG REGULATIONS IN TITLE 46 CFR 110-113. ANY WIRING USED IN THE INSTALLATION OF THIS APPLIANCE MUST BE STRANDED COPPER.

TABLE OF CONTENTS

<u>CHAPTER</u>	<u>PAGE</u>
1. TABLE OF CONTENTS	3
2. READ FIRST	4
3. UNPACKING.....	6
4. INSTALLATION	7
5. INITIAL START-UP.....	8
6. OPERATION.....	8
7. CLEANING.....	9
8. TROUBLESHOOTING	10
9. PARTS LISTS	11
10. EXPLODED VIEWS.....	12
11. WIRING DIAGRAMS	17

CAUTION: THE BROILER WEIGHS 850 LBS. (385.56 kg). FOR SAFE HANDLING, INSTALLER SHOULD OBTAIN HELP AS NEEDED, OR EMPLOY APPROPRIATE MATERIALS HANDLING EQUIPMENT (SUCH AS A FORKLIFT, DOLLY, OR PALLET JACK) TO REMOVE THE UNIT FROM THE SKID AND MOVE IT TO THE PLACE OF INSTALLATION.



CAUTION: ANY STAND, COUNTER OR OTHER DEVICE ON WHICH BROILER WILL BE LOCATED MUST BE DESIGNED TO SUPPORT THE WEIGHT OF THE BROILER (850 LBS.).



CAUTION: SHIPPING STRAPS ARE UNDER TENSION AND CAN SNAP BACK WHEN CUT.



DANGER: THIS APPLIANCE MUST BE GROUNDED AT THE TERMINAL PROVIDED. FAILURE TO GROUND THE APPLIANCE COULD RESULT IN ELECTROCUTION AND DEATH.



WARNING: INSTALLATION OF THE UNIT MUST BE DONE BY PERSONNEL QUALIFIED TO WORK WITH ELECTRICITY. IMPROPER INSTALLATION CAN CAUSE INJURY TO PERSONNEL AND/OR DAMAGE TO EQUIPMENT. UNIT MUST BE INSTALLED IN ACCORDANCE WITH ALL APPLICABLE CODES.



NOTICE: The data plate is located behind the access cover to the right of the unit. The broiler voltage, wattage, serial number, wire size, and clearance specifications are on the data plate. This information should be carefully read and understood before proceeding with the installation.



NOTICE: The installation of any components such as a vent hood, grease extractors, fire extinguisher systems, must conform to their applicable National, State and locally recognized installation standards.



CAUTION: ALWAYS KEEP THE AREA NEAR THE APPLIANCE FREE FROM COMBUSTIBLE MATERIALS.



CAUTION: KEEP FLOOR IN FRONT OF EQUIPMENT CLEAN AND DRY. IF SPILLS OCCUR, CLEAN IMMEDIATELY, TO AVOID THE DANGER OF SLIPS OR FALLS.



WARNING: KEEP WATER AND SOLUTIONS OUT OF CONTROLS. NEVER SPRAY OR HOSE CONTROL CONSOLE, ELECTRICAL CONNECTIONS, ETC.



CAUTION: MOST CLEANERS ARE HARMFUL TO THE SKIN, EYES, MUCOUS MEMBRANES AND CLOTHING. PRECAUTIONS SHOULD BE TAKEN TO WEAR RUBBER GLOVES, GOGGLES OR FACE SHIELD AND PROTECTIVE CLOTHING. CAREFULLY READ THE WARNING AND FOLLOW THE DIRECTIONS ON THE LABEL OF THE CLEANER TO BE USED.



NOTICE: Service on this, or any other, LANG appliance must be performed by qualified personnel only. Consult your authorized service station directory or call the factory at 1-800-224-LANG (5264), or WWW.LANGWORLD.COM for the service station nearest you.



WARNING: BOTH HIGH AND LOW VOLTAGES ARE PRESENT INSIDE THIS APPLIANCE WHEN THE UNIT IS PLUGGED/WIRED INTO A LIVE RECEPTACLE. BEFORE REPLACING ANY PARTS, DISCONNECT THE UNIT FROM THE ELECTRIC POWER SUPPLY.



CAUTION: USE OF ANY REPLACEMENT PARTS OTHER THAN THOSE SUPPLIED BY LANG OR THEIR AUTHORIZED DISTRIBUTORS CAN CAUSE BODILY INJURY TO THE OPERATOR AND DAMAGE TO THE EQUIPMENT AND WILL VOID ALL WARRANTIES.



3.1 Receiving the Broiler

Upon receipt, check for freight damage, both visible and concealed. Visible damage should be noted on the freight bill at the time of delivery and signed by the carrier's agent. Concealed loss or damage means loss or damage, which does not become apparent until the merchandise has been unpacked. If concealed loss or damage is discovered upon unpacking, make a written request for inspection by the carrier's agent within 15 days of delivery. All packing material should be kept for inspection. Do not return damaged merchandise to Lang Manufacturing Company. File your claim with the carrier.

3.2 Location

Prior to un-crating, move the broiler as near its intended location as practical. The crating will help protect the unit from the physical damage normally associated with moving it through hallways and doorways.

3.3 Un-crating

The broiler is packaged on a pallet, wrapped in plastic to protect from moisture and surrounded by a wooden frame. Remove the wood crating carefully. Improper use of tools can result in damage to the equipment. Remove and discard plastic wrap. Remove and discard desiccant bags placed inside broiler cavity.

The broiler rack frame and rack are secured for shipping purposes and for safety, and should remain secured until unit is at its final location.

Legs, where applicable, are packed inside broiler cavity or cabinet base and should remain there until unit is at the final installation location.

The unit can be safely lifted from bottom with forklift or straps. Use extreme care and follow proper safety procedure regardless of method used and be aware of gravity center, especially with banks of multiple units.



- CAUTION:** THE BROILER WEIGHS 850 LBS. (385.56 kg). FOR SAFE HANDLING, INSTALLER SHOULD OBTAIN HELP AS NEEDED, OR EMPLOY APPROPRIATE MATERIALS HANDLING EQUIPMENT (SUCH AS A FORKLIFT, DOLLY, OR PALLET JACK) TO REMOVE THE UNIT FROM THE SKID AND MOVE IT TO THE PLACE OF INSTALLATION.
- CAUTION:** ANY STAND, COUNTER OR OTHER DEVICE ON WHICH BROILER WILL BE LOCATED MUST BE DESIGNED TO SUPPORT THE WEIGHT OF THE BROILER (850 LBS.).
- CAUTION:** SHIPPING STRAPS ARE UNDER TENSION AND CAN SNAP BACK WHEN CUT.

Remove broiler from skid and place in intended location.

INSTALLATION

DANGER: THIS APPLIANCE MUST BE GROUNDED AT THE TERMINAL PROVIDED. FAILURE TO GROUND THE APPLIANCE COULD RESULT IN ELECTROCUTION AND DEATH.



WARNING: INSTALLATION OF THE UNIT MUST BE DONE BY PERSONNEL QUALIFIED TO WORK WITH ELECTRICITY. IMPROPER INSTALLATION CAN CAUSE INJURY TO PERSONNEL AND/OR DAMAGE TO EQUIPMENT. UNIT MUST BE INSTALLED IN ACCORDANCE WITH ALL APPLICABLE CODES.



NOTICE: The data plate is located behind the access cover to the right of the unit. The range voltage, wattage, serial number, wire size, and clearance specifications are on the data plate. This information should be carefully read and understood before proceeding with the installation.



NOTICE: The installation of any components such as a vent hood, grease extractors, fire extinguisher systems, must conform to their applicable National, State and locally recognized installation standards.



4.1 Electrical Connection

Electrical connection must be made behind the control compartment in the cabinet base. The electrical connection must be made in accordance with local codes or in the absence of local codes with NFPA No. 70 latest edition (in Canada use: CAS STD. C22.1).

Supply wire size must be large enough to carry the amperage load for the appliance being installed. Wire size information can be found on the data plate.

4.2 Broiler Voltage

The Lang Model CLB-2C-S can be operated on 440 Volts.

INITIAL START UP

5.1 PRE-POWER ON

Initial Start-up

Before the initial use of the broiler, the unit must be wiped down thoroughly with a dry rag, to remove any oils used in manufacturing. Also the unit must be thoroughly allowed to dry itself out. This is done by setting the thermostat to 350°. Allow the range oven to heat until all vapor and condensation has been eliminated. For best results allow the oven to thoroughly dry out. Allow 8 to 12 hours for this process. Note: There may be a small amount of smoke from the unit for the first couple of hours of use, this is normal.

OPERATION

CAUTION: ALWAYS KEEP THE AREA NEAR THE APPLIANCE FREE FROM COMBUSTIBLE MATERIALS.

CAUTION: KEEP FLOOR IN FRONT OF EQUIPMENT CLEAN AND DRY. IF SPILLS OCCUR, CLEAN IMMEDIATELY, TO AVOID THE DANGER OF SLIPS OR FALLS.



6.1 Broiler Controls

The controls are located on the right side of the unit. There are two switches. One on top and one on bottom. The top one controls the front half of the broiler, while the bottom one controls the rear half. There are three positions on each switch: Low, Off, & High.

The broiler rack is adjustable. There are three rack positions available. To set the position, put the product on the rack, push the lever down and forward into one of the positions.

7.1 After each Meal Cleaning

WARNING: KEEP WATER AND SOLUTIONS OUT OF CONTROLS. NEVER SPRAY OR HOSE CONTROL CONSOLE, ELECTRICAL CONNECTIONS, ETC.



CAUTION: MOST CLEANERS ARE HARMFUL TO THE SKIN, EYES, MUCOUS MEMBRANES AND CLOTHING. PRECAUTIONS SHOULD BE TAKEN TO WEAR RUBBER GLOVES, GOGGLES OR FACE SHIELD AND PROTECTIVE CLOTHING. CAREFULLY READ THE WARNING AND FOLLOW THE DIRECTIONS ON THE LABEL OF THE CLEANER TO BE USED.



Empty crumb tray daily or when 1/3 full. It is easily removed for washing.

Clean exterior of the broiler with hot water and a mild detergent to maintain a gleaming appearance.

7.2 Daily Cleaning

The broiler should be thoroughly cleaned at least once a week in addition to the normal daily cleaning to insure against the accumulation of foreign material. Keep the inside of the broiler and metal deck clean.

TROUBLESHOOTING

9.1 Symptoms

What follows is a chart of Symptoms and Possible Causes to aid in diagnosing faults with the oven.

Refer to the Symptoms column to locate the type of failure then to the Possible Cause for the items to be checked.

To test for a possible cause, refer to the TEST section and locate the Possible Cause then refer to test to identify test procedures.

SYMPTOM	POSSIBLE CAUSE
Broiler will not heat	<ul style="list-style-type: none"> • Failed element • Failed 2 heat switch
Product burning	<ul style="list-style-type: none"> • Product is cooked too long

9.2 TESTS

NOTICE:

Service on this, or any other, LANG appliance must be performed by qualified personnel only. Consult your authorized service station directory or call the factory at 1-800-224-LANG (5264), or WWW.LANGWORLD.COM for the service station nearest you.



WARNING:

BOTH HIGH AND LOW VOLTAGES ARE PRESENT INSIDE THIS APPLIANCE WHEN THE UNIT IS PLUGGED/WIRED INTO A LIVE RECEPTACLE. BEFORE REPLACING ANY PARTS, DISCONNECT THE UNIT FROM THE ELECTRIC POWER SUPPLY.



If an item on the list is followed by an asterisk (*), the work should be done by a factory authorized service representative.

Possible Cause	TEST
Product is cooked too long	<ul style="list-style-type: none"> • No test available, operational condition
Failed 2 heat switch	<ul style="list-style-type: none"> • Check poles on switch for continuity
Failed element	<ul style="list-style-type: none"> • Remove the wires and check for continuity across the element

CAUTION:

USE OF ANY REPLACEMENT PARTS OTHER THAN THOSE SUPPLIED BY LANG OR THEIR AUTHORIZED DISTRIBUTORS CAN CAUSE BODILY INJURY TO THE OPERATOR AND DAMAGE TO THE EQUIPMENT AND WILL VOID ALL WARRANTIES.

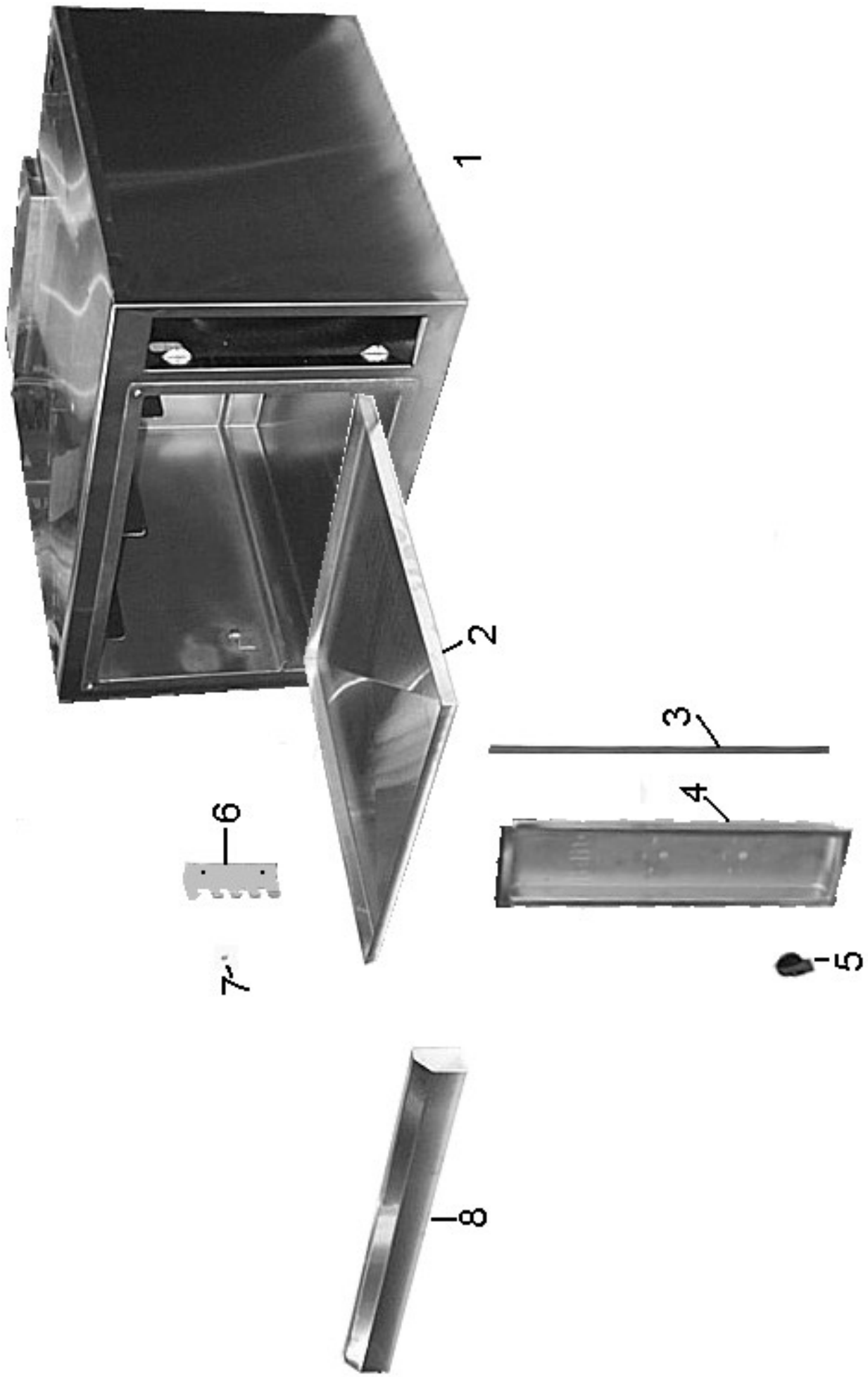


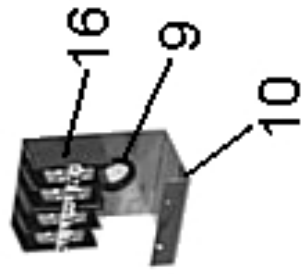
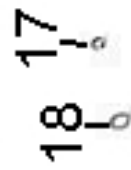
PARTS LIST

December 30, 2008

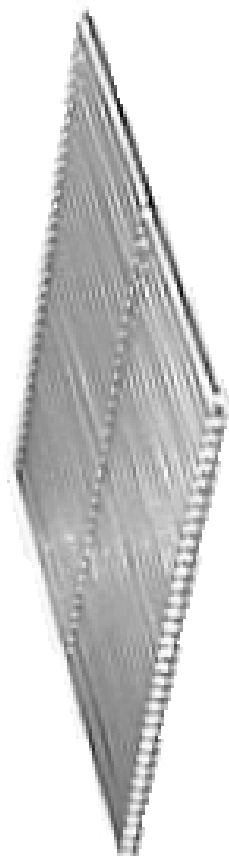
CLB36C-2-440V

Item No.	Part No.	Qty	Description
1	N/A	1	Body
2	J9-CLB-226	2	Pan
3	1M-72602-04	132	High Temperature Gasket Material
4	J9-CLB-225	2	Broiler Switch Panel
5	2E-30304-32	4	Knob comes with the 2 Heat switch 25 amp
6	J9-CLB-319	2	Rack Adjustment
7	2C-20111-09	68	Screw Stainless Steel 10-32 x 1/2 Hex Head
8	J9-CLB-212	2	Front Hood
9	2K-70801-02	2	1 3/8" Snap Bushing
10	J9-CLB-224	1	Terminal Block Mount
11	J9-CLB-218	3	Broiler Heat Shield
12	J9-CLB-001	2	Can Assembly
13	OB-CLB-309	6	Element Holder
14	2N-11100-11	8	Element
15	J9-CLB-427	4	Element Heat Shield
16	2E-30500-11	2	Large 2 Pole Terminal Block
17	2C-20303-08	64	Nut Hex Stainless Steel 10-24
18	2C-20203-06	64	Washer Stainless Steel 5/16 S.A.E. Flat
19	2C-20111-25	12	Screw Stainless Steel 1/4-20 x 1 1/4" Hex Head
20	J9-CLB-310	12	Bearing Washer
21	2P-70202-03	12	Broiler Bearing
22	2P-CLB-401	12	Bearing Bracket
23	2C-20301-29	8	Nut Hex Acorn 1/4-20 Stainless Steel
24	J9-CLB-002	2	Carriage Assembly
25	J9-CLB-420	2	Heat Shield with Clips
26	J9-CLB-425	2	Heat Shield #2
27	2B-50200-80	2	Rack
28	J9-CLB-220	1	Rear Firewall
29	J9-CLB-320	2	Can Wire Support
30	J9-CLB-331	1	Main Stack
31	J9-CLB-210	1	Back
32	J9-CLB-211	2	Vent Trim
33	J9-CLB-244	1	Panel Vent Stack
34	J9-CLB-243	1	Panel Vent Top
35	2E-CLB-502	1	Wire Harness
36	2E-30304-32	4	2 Heat Switch – 25 Amp
37	J9-CLB-625	1	Cabinet Base Panel
NI	2A-72500-06	4	Leg 5 1/2 W/BOLT DOWN





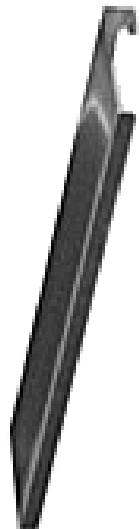
27



25



26



20

22

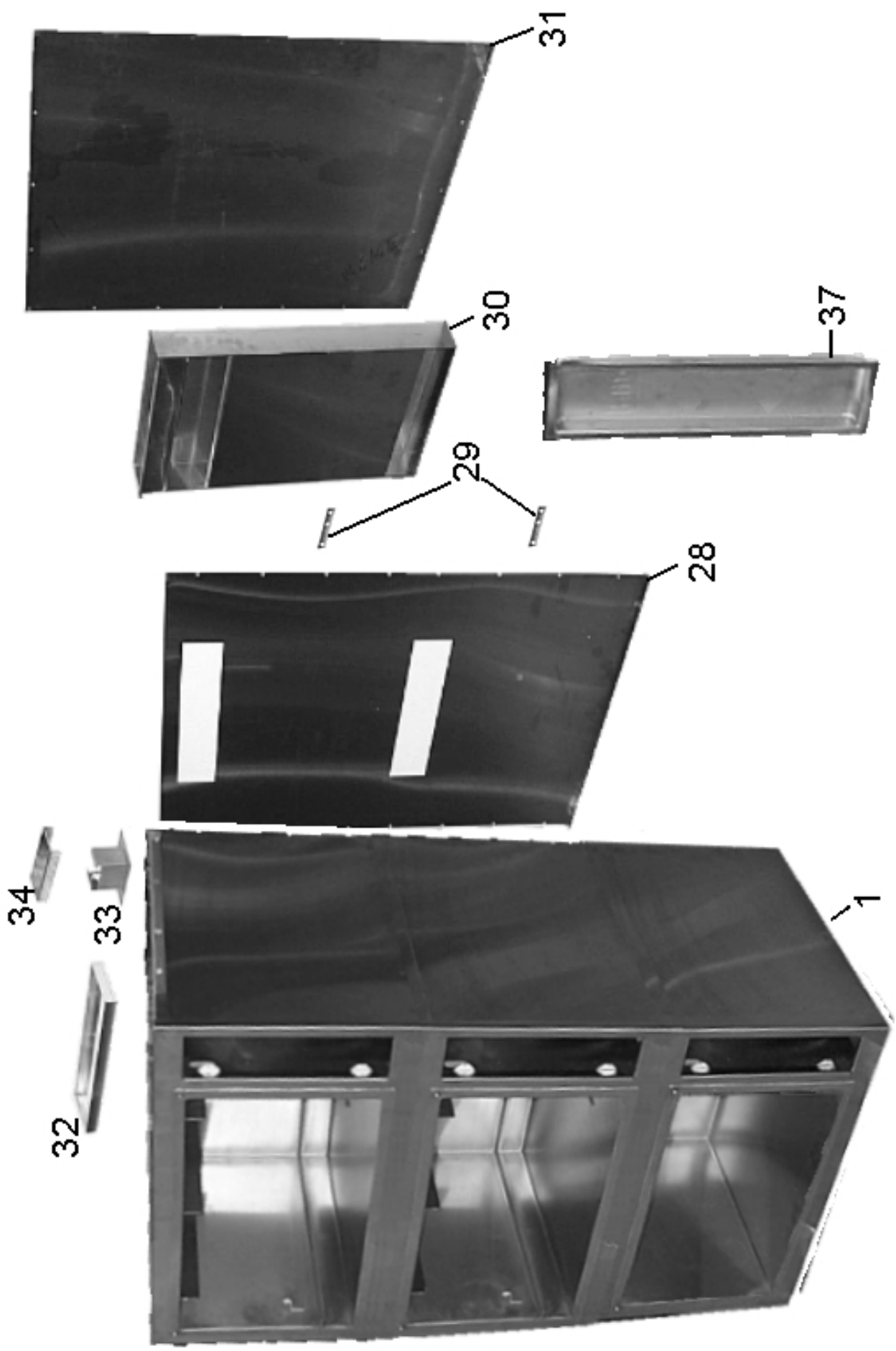
19

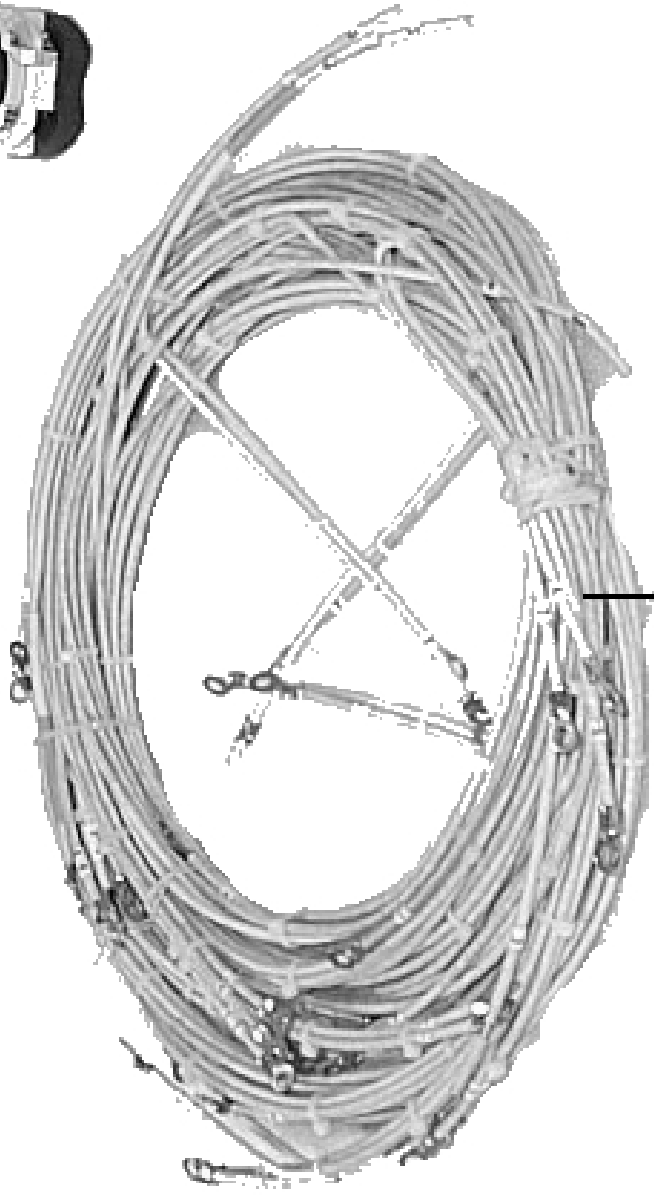
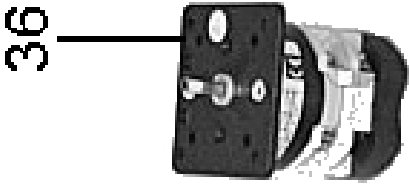
21

23



24





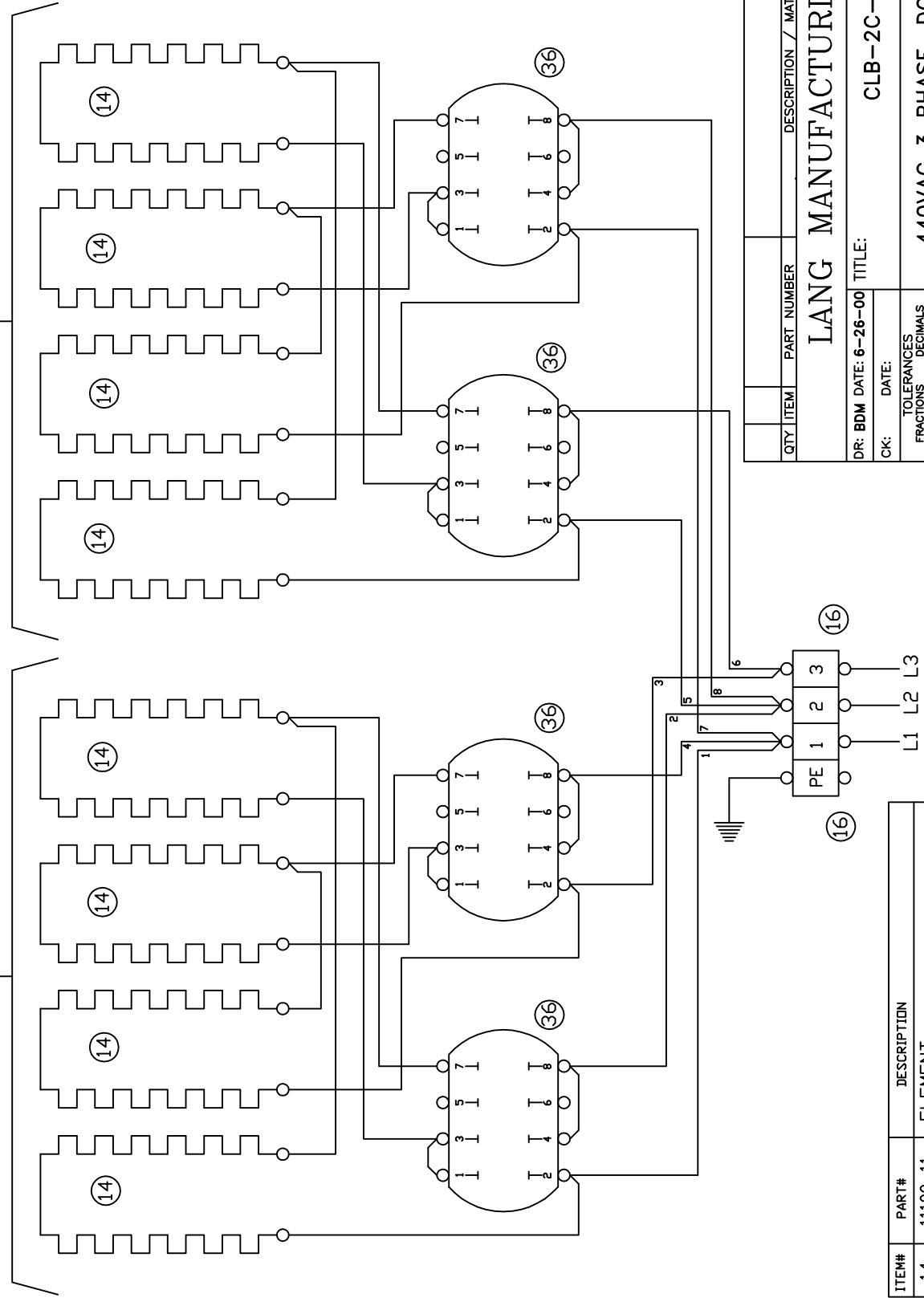
35

36

REVISION BLOCK			
REV	ECN NO.	DESCRIPTION	DR:

TOP DECK

BOTTOM DECK



QTY	ITEM	PART NUMBER	DESCRIPTION / MATERIAL

DR: **BDM** DATE: **6-26-00** TITLE: **CLB-2C-S**

CK: DATE:

TOLERANCES
 FRACTIONS DECIMALS
 $\pm 1/64$ $\pm .05$
 ANGLES $\pm .03$
 $\pm .5$ $\pm .015$
 UNLESS OTHERWISE SPECIFIED
 DIMENSIONS ARE IN INCHES

SCALE: **TO FIT**

NEXT HIGHER ASSY. SHEET **1** OF **1**

DRAWING NUMBER **61131-06**

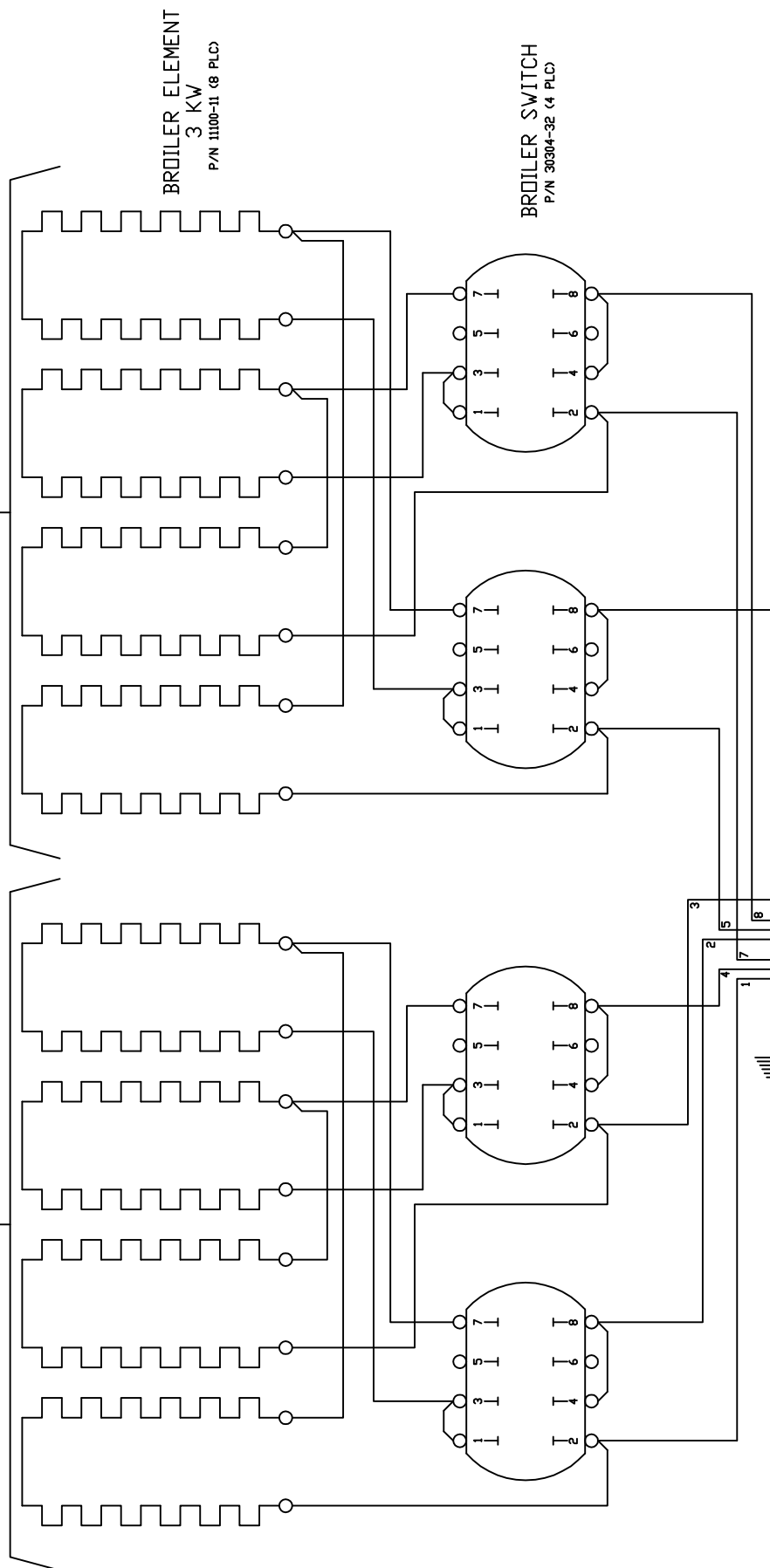
REV **A**

ITEM#	PART#	DESCRIPTION
14	11100-11	ELEMENT
16	30500-11	LARGE 2 POLE TERMINAL BLOCK
36	30304-32	2 HEAT SWITCH - 25 AMP

REVISION BLOCK			
REV	ECN NO.	DR:	DATE

SINGLE DECK BROILER
OR BOTTOM DECK OF 2 DECK BROILER

TOP DECK OF 2 DECK BROILER



BROILER ELEMENT
3 KW
P/N 11100-II (8 PLC)

BROILER SWITCH
P/N 30304-32 (4 PLC)

QTY	ITEM	PART NUMBER	DESCRIPTION / MATERIAL
			LANG MANUFACTURING

DR: BDM DATE: 11-5-98 TITLE: CLB BROILER - 440 VOLT
CK: DATE:

TOLERANCES FRACTIONS DECIMALS ± 1/64 X ± .05 ANGLES °.XX ± .03 °.XXX ± .015 UNLESS OTHERWISE SPECIFIED DIMENSIONS ARE IN INCHES	SCALE: TO FIT
SINGLE AND DOUBLE	DRAWING NUMBER 61118-25
NEXT HIGHER ASSY. SHEET 1 OF 1	REV

AMPS PER LINE	L1	L2	L3
SINGLE	23.6	13.6	13.6
DOUBLE	35.4	35.4	23.6

STAR MANUFACTURING

10 Sunnen Drive, St. Louis, MO 63143 U.S.A.

(800) 807-9054 (314) 781-2777

Parts & Service (800) 807-9054

www.star-mfg.com