

**DISHWASHING MACHINE
GLASSWASHING MACHINE**

**LAVE-VAISSELLE
LAVE-VERRES**

L21-ek

**INSTRUCTIONS MANUAL
INSTRUCTIONS D'EMPLOI**



REV.09-may-2013

CONTENTS	ENGLISH
----------	---------

General norms	pag. 03
Introduction and safety norms	pag. 04
Learn to use the appliance	pag. 06

First section - FOR THE USER	pag. 07
-------------------------------------	---------

Control panel	pag. 08
Working and use, cleansing agents, maintenance, possible troubles	pag. 09
Dishes positioning	pag. 11

Second section - FOR THE INSTALLER	pag. 21
---	---------

Installation	pag. 22
Water drain, water connections, electrical connections	pag. 23
Detergent replacement and cleaning of the detergent pump hoses	pag. 25
Tables fitting plan	pag. 31
Connections scheme	pag. 32
Regulations scheme	pag. 33
Wiring diagram	pag. 34
Components	pag. 37
Specifications	pag. 38

SOMMAIRE	FRANÇAIS
----------	----------

Remarque générales	pag. 03
Introduction et normes de sécurité	pag. 05
Faites connaissance avec l'appareil	pag. 06

Première partie - INSTRUCTIONS POUR L'UTILISATEUR	pag. 07
--	---------

Emploi contrôles	pag. 08
Fonctionnement et emploi, détergers, entretien, inconvénients	pag. 15
Placement de la vaisselle	pag. 17

Deuxième partie - Instructions pour l'installateur:	pag. 21
--	---------

Installation	pag. 22
Branchement hydraulique, vidange, branchement électrique	pag. 27
Substitution du produit lessiviel et nettoyage des tuyaux du doseur de lavage	pag. 29
Schema montage des tables	pag. 31
Schema branchements	pag. 32
Schema regulations	pag. 33
Schema électrique	pag. 34
Composants	pag. 37
Données techniques	pag. 38

WASTE OF ELECTRICAL AND ELECTRONIC EQUIPMENT DIRECTIVE (WEEE,RAEE in Italy) WASTE OF ELECTRICAL AND ELECTRONIC EQUIPMENT DIRECTIVE (WEEE,RAEE in Italy) 2002/96/EC AND SUBSEQUENT 2003/108/EC

The marking shown below indicates that the product cannot be disposed of as part of normal household waste. Electrical and Electronic Equipment (EEE) can contain materials harmful to health and the environment, and therefore is subject to separate waste collection: it must be disposed of at appropriate waste collection points or returned to the distributor against purchase of new equipment of similar type or having the same functions. The directive mentioned above, to which make reference for further details, provides for punitive actions in case of illegal disposal of such waste.



LAMBER, manufacturer of this equipment, is enrolled in the Italian WEEE Register – the Register of Producers of Electrical and Electronic Equipment- from the 18th /02/2008 with the number **IT0802000000617**.

DIRECTIVE “RAEE” 2002/96/CE ET MODIFICATIONS SUCCESSIVE 2003/108/CE CONCERNANT LES REBUTS D’APPAREILLAGES ÉLECTRIQUES ET ÉLECTRONIQUES

Le symbole ci-dessous indique que le produit ne peut pas être éliminé comme un normal déchet urbain. Les appareillages électriques et électroniques (AEE) peuvent contenir des matériaux nocifs pour l’environnement et la santé et doivent donc être objet de collecte différenciée : éliminés donc auprès de décharges prévues à cet effet ou rendus au distributeur pour l’achat d’un nouveau, de type équivalent ou ayant les mêmes fonctions. La réglementation susmentionnée, à laquelle nous vous renvoyons pour les détails et les approfondissements ultérieurs, prévoit des sanctions pour la mise en décharge abusive des dits rebuts.



LAMBER, constructeur du présent appareillage, est inscrit dans le Bureau National des producteurs de AEE (Appareillages Electriques et Electroniques) à partir du 18/02/2008 avec le numéro **IT0802000000617**

GENERAL NORMS**ENGLISH**

Thank You for purchasing our Dishwashing/Glasswashing Machine.

Perfect washing-up results as far as hygiene concerns and a correct operation of the dishwashing machine can be assured only in case the instructions reported in the present manual are carefully followed.

We hope the information reported in the present manual will be helpful to You.

They are based on data and our best updated knowledge.

Carefully read the Instructions reported in the manual, recommendations and suggestions included.

Carefully read the terms of sale too, the ones limiting warranty included.

REMARQUES GENERALES**FRANÇAIS**

Nous Vous remercions de Votre choix lors de l'achat de votre LAVE-VAISSELLE/LAVE-VERRES.

Le fonctionnement parfait de l'appareil et les résultats de lavage optimaux sous le profil hygiénique sanitaire, peuvent seulement être garantis si tous les avertissements dans ce manuel-ci sont respectés.

Nous souhaitons que les renseignements contenus dans ce manuel vous soient utiles. Ils sont basés sur les données et sur notre meilleure connaissance actuelle.

Lisez attentivement ce qui est énoncé dans le manuel, y compris les recommandations et les suggestions.

Lisez aussi les conditions de vente, y compris celles qui limitent la garantie.

INTENDED USE

The dishwasher/glasswasher may only be used for cleaning plates, cups, dishes, and similar restaurant ware and commercial catering. Any change in design or use of the dishwasher carried out without the written permission will lead to warranty nullification.

If damage is caused to the dishwasher due to failure to observe the instructions given in this manual, no claims under the warranty agreement can be submitted to.

PRELIMINARY OBSERVATION

Carefully read the instructions reported in the present user manual, as it gives important indications about safety of installation, operation and maintenance:

- **carefully keep the present manual for further consultations;**
- the illustrations and drawings showing the machine are intended for general reference only and are not necessarily accurate in every particular;
- the dimensions and characteristics of the machine, given in this Manual, are not to be considered binding and may be changed without prior notice;
- having removed the packing material, check that all the equipment is present. If there is any doubt, do not use it and contact qualified personnel. The packing elements (plastic bags, nails, etc.) should be kept away from children, because they are dangerous.

GENERAL SAFETY REGULATIONS

THIS SAFETY CODE HAS BEEN COMPILED IN YOUR INTEREST. Strict adherence to these rules will reduce the risks of injury both to yourself and to others;

Personnel working with this machine must adhere strictly to all statutory safety regulations as well as the specific rules listed below. Failure to do so may result in personal injury and damage to the machine;

- DO NOT attempt to move, install, set-up or operate this machine until you have read and fully understood this Manual. If doubt persists, ask your supervisor;
- never leave tools, parts or other loose material on or in the machine;
- Before switching the equipment the equipment on, make sure that the model plate data conforms to that of the electrical and water distribution network;
- remember that even with the mains isolator in the "OFF" position, the incoming cables are still live;
- BEFORE starting machine o cycle, after any maintenance or repair work, make sure all protective are correctly installed;
- be vigilant at all times, remember that your safety and that of your fellow workers depend on you;
- when moving or lifting the machine, care must be taken to comply with all the relevant regulations governing such operations;
- installation should be carried out by qualified personnel according to the manufacturer's instructions.
- this equipment should be destined to the use which it has been conceived for. Any other application should be considered improper and consequently dangerous;
- the equipment should only be used by personnel trained for its use;

SPECIAL SAFETY REGULATIONS

- adjustment and repairs must be carried out only by personnel qualified. Repair carried out by unskilled personnel may be dangerous;
- perfect washing-up results as far as hygiene concerns and a correct operation of the washing machine can be assured only in case the instructions reported in the present handbook are carefully followed;
- the machine must be only used by authorized personnel which must comply with sanitary measures;
- do not leave the machine in environment with temperatures inferior to 0°C;
- the machine protection degree is IP21, therefore it should not be washed with direct high pressure jets of water;
- **If the power cable is defective, it must be replaced by your manufacturer or by a technical assistance service or by a qualified technician in order to avoid risks.**

RESIDUAL RISK

Although the appliance is equipped with the above-mentioned safety devices, danger of burns to upper limbs persists. As already mentioned in the paragraph "DURING WASHING OPERATIONS", avoid dipping your naked hands into soapy hot water of the tanks. This can cause burns and skin irritations.

In this case, immediately rinse them with plenty of water. Anyway consult the product card of the detergent employed.

EMPLOI DE LA MACHINE

Le lave-vaisselle/lave-verres peut être utilisé seulement pour le lavage des assiettes, tasses, et vaisselle similaire des restaurants et de la restauration collective. Tout changement dans design ou emploi de la lave-vaisselle fait sans l'autorisation écrite du constructeur va annuler la garantie.

Si le dommage à la lave-vaisselle est causé par une insuffisante ou mauvaise observation des instructions qui se trouvent dans ce manuel d'instructions, aucune garantie ne sera accordée.

REMARQUES PRELIMINAIRES

Lisez attentivement les notices contenues dans ce mode d'emploi, car elles fournissent d'importantes indications concernant la sécurité d'installation, d'emploi et d'entretien.

- **Garder avec soin ce livret pour toute consultations ultérieure des divers opérateurs;**
- Les illustrations et les dessins qui montrent l'appareil ne sont à considérer que comme des points de référence génériques et ne sont pas nécessairement soignés dans tous les détails;
- Les dimensions et les caractéristiques signalées dans ce manuel ne sont pas contraignantes et peuvent être modifiées sans annonce préalable.
- Après avoir enlevé l'emballage, il faut s'assurer de l'état de l'appareil. En cas de doute, ne pas l'utiliser et s'adresser à votre revendeur. Les éléments de l'emballage (sachets en plastique, polystyrène expansé, clous, etc.), ne doivent pas être laissés à la portée des enfants;

NORMES GÉNÉRALES DE SÉCURITÉ

Cette liste de normes a été établie dans votre intérêt. Le respect de ces normes réduira les risques d'accidents pour vous-mêmes et pour les autres.

Le personnel opérant sur cette machine doit rigoureusement respecter toutes les normes générales de sécurité et les normes spécifiques décrites ci-dessous. Le non respect de ces normes peut être cause des lésions personnelles et des endommagements sur la machine.

- Ne pas essayer de déplacer, installer, mettre au point ou actionner la machine avant d'avoir lu et avoir pleinement compris le contenu du manuel. En cas de doutes, s'adresser à son supérieur.
- Ne jamais laisser ustensiles, objets ou autre matériel sur la machine ou à l'intérieur de cette dernière.
- Avant de brancher l'appareil, s'assurer que les données de la plaque correspondent à celles du réseau d'alimentation électrique et hydraulique.
- Se souvenir que même lorsque l'interrupteur général est sur la position "0", les câbles d'alimentation sont sous tension.
- AVANT d'actionner la machine ou de réactiver le cycle de production à la suite d'opérations d'entretien ou de réparation, s'assurer que tous les abris et couvertures de protection soient correctement installés.
- L'installation doit être effectuée selon les indications du constructeur par l'intermédiaire d'un personnel qualifié.
- Cette machine devra être destinée uniquement à l'utilisation pour laquelle elle a été conçue. Tout autre usage est considéré impropre et donc dangereux;
- Cette machine doit être utilisée uniquement par des personnes qui ont appris à l'utiliser.

NORMES SPÉCIALES DE SÉCURITÉ

- Les réglages et les réparations ne doivent être effectués que par des personnes compétentes. Les éventuelles réparations effectuées par des personnes non qualifiées peuvent être dangereuses.
- La sécurité de tout appareillage supplémentaire non directement fourni par la maison constructrice et utilisé en même temps que la machine est sous la responsabilité de l'utilisateur.
- Les résultats parfaits de lavage sous l'aspect hygiénique et le fonctionnement correct de la machine pourront être garantis si tous les conseils contenus dans le manuel présent seront respectés.
- Le personnel préposé à la manipulation des vaisselles après le lavage doit respecter rigoureusement les normes d'hygiène en vigueur.
- Ne pas utiliser la machine dans un endroit où la température est inférieure à 0°C.
- L'indice de protection de la machine est IP21. Elle ne doit pas être lavée au jet d'eau direct à haute pression.
- **Si le câble d'alimentation est défectueux, procéder à son remplacement par le fabricant ou par le service d'assistance technique ou bien par un technicien qualifié afin de prévenir tout risque.**

AUTRES RISQUES

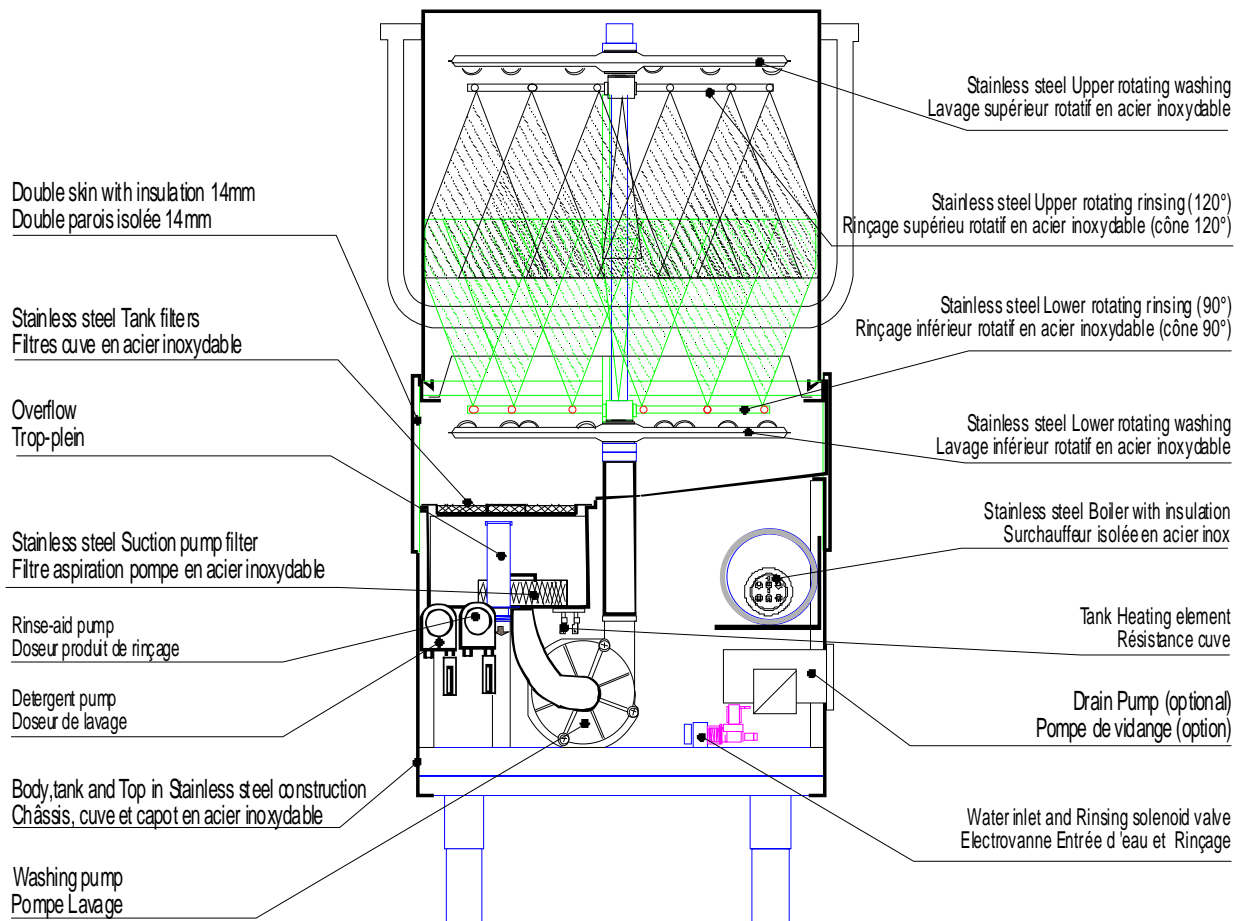
Même si la machine est munie des dispositifs de sécurité cités plus haut, le risque de brûlures aux membres supérieurs est néanmoins présent.

Ainsi que nous l'avons déjà expliqué dans le paragraphe PRECAUTIONS PENDANT LE LAVAGE, il ne faut jamais plonger les mains nues dans l'eau savonneuse et chaude des cuves. Ceci pourrait provoquer des brûlures et des irritations cutanées. Si cela devait arriver, les rincer immédiatement et abondamment sous l'eau courante. Consulter en tous les cas la fiche du produit détergent utilisé.

Learn to use the appliance

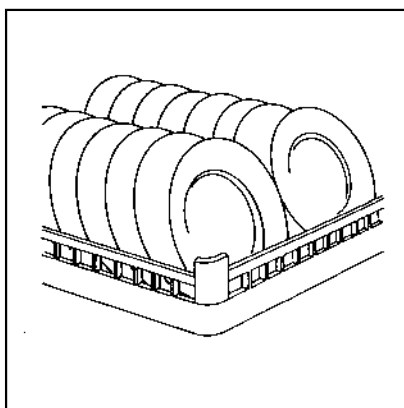
Faites connaissance avec l'appareil

L21



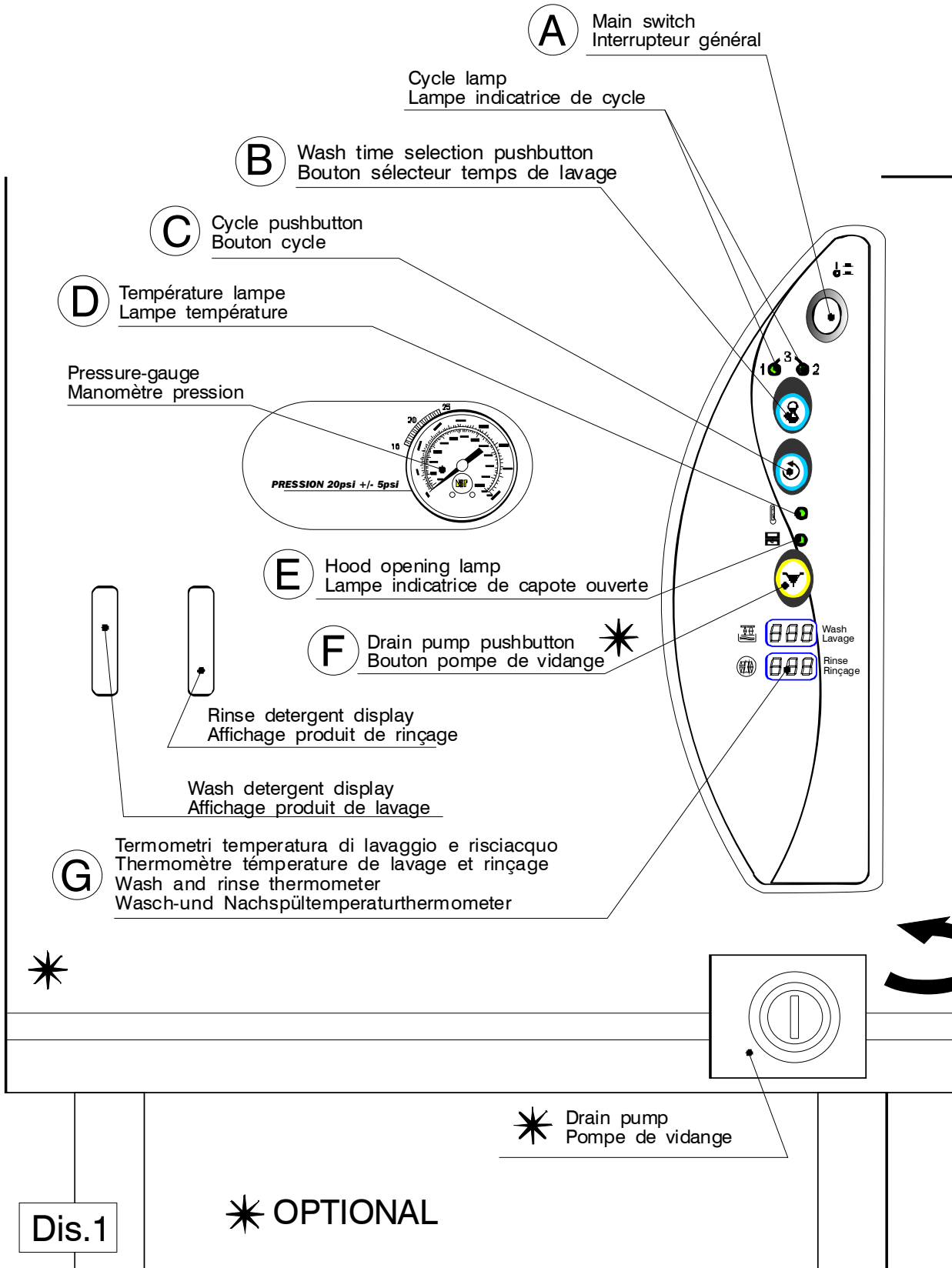
INSTRUCTIONS FOR THE USER

INSTRUCTIONS POUR L'UTILISATEUR



1

CONTROL PANEL EMPLOI CONTROLES



First Section - FOR THE USER

WORKING AND USE

The dishwashing/Glasswashing machine can wash up to 30 baskets every hour.

The machine protection degree is IP21, therefore it should not be washed with direct high pressure jet water; The correct placing of the objects is an essential condition for a good washing-up result;

We suggest to descale dishes, from time to time, in order to remove calcareous and/or starchy sediments by soaking it in suitable solutions suggested by your cleansing agent supplier.

If you need to buy new dishes remember the following:

Dishes and cups: preference must be given to china or non-porous pottery articles, with smooth surface.

Glasses: choose a glass suitable to be washed in dish-washing machines. Surfaces must be smooth and bottoms as flat as possible.

INSTRUCTIONS BEFORE WASHING

BEFORE STARTING THE WORKING OPERATION MAKE SURE THAT:

- the cock is open;
- the filters and the overflow are in their housings;
- the wash arm and the rinse arm are free to pivot;
- rinse aid and washing powder dispenser containers are loaded.

THEN PROCEED:

- A -** Place the dishes in the basket minding to previously remove all solid waste and fat.

Do previously soak the cutlery and if necessary the plates too, in case they are washed after long time since the use. Do not overload baskets, dishes must not be placed one upon the other, water must have the way to run on each part of it.

For a correct positioning of the dishes see the specific paragraph on page 11.

- B -** Turn on the machine by wall switch and press button "A" that you can find on the control panel (DIS.1).

At this moment thermometer displays light up and the tank fills up. When the tank is full the control lamp for cycle "2" lights up.

- C -** Open the machine hood and introduce the basket in the dishwasher.

The control lamp "E" will flash in case the hood of the dishwasher is open.

Before you start the cycle be sure that the control lamp "D" is flashing. This means that the water for washing cycle and rinsing water temperature reached the ideal temperature for working.

- D -** Choose the washing period cycle and push button "B" between the following items:

- lamp 1 flashing – short cycle of 2 minutes
- lamp 2 flashing – medium cycle of 3 minutes

- lamps 1 and 2 lightening at the same time: long cycle of 4 minutes.

The washing period cycle has to be chosen regarding the dirt that has to be removed from the dishes.

- E -** Close the dishwasher hood.

The dishwasher starts the washing cycle of the length you chose. In addition to this length of time there will be a pause of 5 seconds and a rinsing period of 18 seconds with clean water at about 82° to 90°C (180÷195°F).

The control cycle lamps will be flashing until the end of the complete washing period. As the washing period finishes, control lamps stop lightening.

It is possible to interrupt the washing cycle at any time simply pushing again button "B".

The lighting of the control lamp "D" means that the water has reached the needed temperature 82° to 90°C (180÷195°F).

The **rinsing** will start working only when the needed temperature is reached. That means the washing cycle length you chose will be extended until the reachig of the exact temperature (thermocontrol).

- **Endless cycle (maximum 15 minutes)** : the hood being closed and the cycle put on (any cycle), keep the button "B" pressed for 3 seconds: lamps 1 and 2 will flash at the same time (thermocontrol excluded); the cycle can be interrupted at any time pressing again button "C" that will let final sequences start.

- **Stand-by** : the hood being open, keep the button "B" pressed for 3 seconds (lamp "E" will stop lightening): if you then close the hood, the machine does not start the washing cycle keeping heating functions still working. To start the cycle press button "C".

Self-washing cycle: with machine on, carry out the following operations:

- Remove the overflow from the tank and wait for the tank's emptying (for machines with drain pump, look at the instructions in the specific paragraph),

- Close the hood of the dishwasher,
- Keep pressed the cycle button "C" during 3 seconds: lamp "2" flashes during all the length of the 5 or 10 minutes cycle, according to the rinse's duration fixed by default.

F – Extract the basket inclining it and shake it carefully, so that the remaining drops can fall down. Leave the dishes in the basket until they will be dry by evaporation. Take the dishes away from the basket and pay attention not to touch the dishes internally on its border and put them on clean shelves.

In order to continue the washing, load another basket and close the hood. The cycle will automatically start again.

ACHIEVEMENTS

Any deficiency in the washing process is obvious when dirty residuals are visible. Any halos might be caused by an insufficient rinsing: in this case, check that the rinsing jets are clean and that there is a sufficient pressure in the water distribution network.

In case you find residuals, check that:

- the washing jets are clean
- there is some detergent
- the pump suction filter is clean
- objects in the rack are placed in a correct position (SEE PAGE 11).

RINSING ADDITIVES

To grant a perfect rinsing, a quick drying and to avoid calcareous sediments on glasses and cups you must add a surfactant on water (Brightener).

Your cleansing agent supplier will be able to suggest the most suitable product. Your machine is equipped with a rinse aid dispenser. Mean concentration used is 0,15 g/lit.

Adding Rinse Aid and Detergent

CAUTION: Only use detergent and rinse aid which are suitable for commercial washers, a non-foaming industrial alkaline detergent.

Do not use any soap intended for a residential dishwasher. This leads to large amounts of foam building up in the washer and will void your manufacturers warranty.

CAUTION: Detergents for commercial dishwashers cause corrosion. Always follow the instructions on the packaging and drums.

CAUTION: Do not mix different detergent products, this could cause the dosing pump to break down due to crystallization.

NSF 3-2009 requirements for detergent and chemical sanitizer dispensers

Feeders (rinse-aid, or detergent) are OPTIONAL. When provided see instructions on page 32 in this manual.

DRAIN PUMP INSTRUCTIONS

(only for machines with drain pump)

The drain pump works automatically only during the washing cycle to discharge the exceeding water coming from the rinsing cycle.

At the end of the working day, in order to completely discharge the tank, it is necessary to perform the following operations:

1. Open the hood of the dishwasher
2. Remove the overflow pipe from the tank;
3. Afterwards push button "F" for 3 seconds.

Control lamp "E" and the cycle lamp (the last chosen) are flashing alternatively.

The discharge will stop automatically after 5 minutes. Control lamps will stop flashing.

The drain can be stopped at any time by pressing again button "F" .

Please note: in case the hood is open the control lamp "E" will continue to flash.

Reinstall the overflow and shut the hood.

CLEANSING AGENTS

The choice of a suitable cleansing agent is an essential condition if you want to obtain extremely good washing results as regards hygienic results. That's why it's important to consider some points. First of all only highly alkaline and chlorine-active antifoam products, especially made for industrial dish-washing machines, must be used and they must be produced by well-known reliable Firms. Mean concentration of the cleansing agents in powder must be 1,5÷2,5 g/lit. Mean concentration of liquid cleansing agents must be 2÷4 g/lit.

In order to avoid scales and corrosions, put cleansing agent above water level on the nearest area of the sucking pump filter, in this way it will immediately dilute and will not deposit on the tank bottom.

DESCALING

When hard water is used you can find inside the machine and also on dishes calcareous sediments which must be removed both for hygienic and operating reasons by a descaling operation.

Operating process and frequency of this intervention are suggested by your cleansing agent supplier who has suitable products, generally containing phosphoric acid.

In order to avoid damage to the machine do not increase the quantities and once operations end rinse abundantly.

SANIFICATION

At least each 30 days it would be useful to do this operation which guarantees the complete hygienic conditions of the machine. We suggest to contact your cleansing agent supplier who will give you quantity and name of the most suitable product you can use and that is generally an active chloride powder (100÷200 ppm).

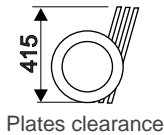
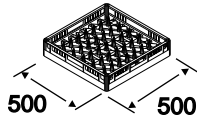
In order to avoid damage to the machine do not increase the quantities and once operations end rinse abundantly.

DISHES POSITIONING

L21-ek

Warning!

Only use the baskets supplied with the dishwasher!



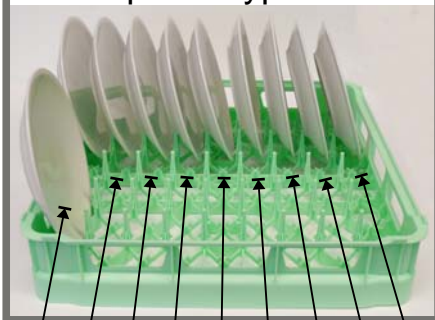
Insert the baskets inside the dishwasher with the plates in the direction shown in the picture.

To achieve optimal cleaning results, make sure that tableware is correctly stored inside the dishwasher.

Dishes must be placed in the plastic baskets, concave side up.

PP12-18 cod.CC00024 (2x)

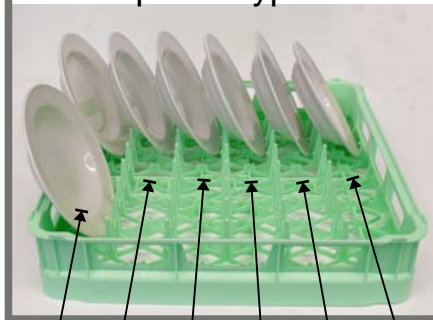
dinner plates type "1"



1 2 3 4 5 6 7 8 9

Dinner plates type "1" should be positioned concave side up and on the side of the rack with 9 storage compartments - that is a maximum storage capacity of 18 flat plates, as shown in the above picture

dinner plates type "2"



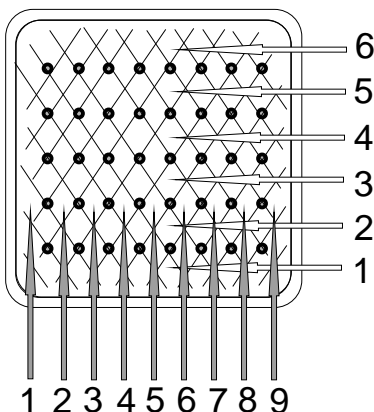
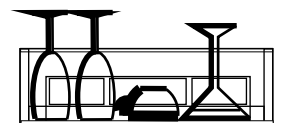
1 2 3 4 5 6

Dinner plates type "2" should be placed concave side up and on the side of the basket with 6 storage compartments that is a maximum storage capacity of 12 deep plates, as shown in the above picture

CB cod.CC00019 (1x)



Glasses, bowls and cups should be positioned face down into the proper compartment as shown below.



Put the cutlery into the small baskets, handles down. Avoid overlapping it (see picture above).

G cod.CC00045 (2x)



CLEANING AND PREVENTIVE MAINTENANCE

PRECAUTION AND CLEANING INSTRUCTIONS

- **IMPORTANT** : Before carrying out the cleaning and maintenance operations, disconnect the equipment from the mains power supply;
- high temperatures can be reached inside the machine (90°C). After power supply has been removed, wait until the machine has reached room temperature, before working on it.
- the machine protection degree is IP21, therefore it should not be washed with direct high pressure jets of water;
- never leave tools, parts or other loose material in or on the machine;
- BEFORE starting machine or cycle, after any maintenance or repair work, make sure all protectives are correctly installed;

DAILY MAINTENANCE

- Disconnect the machine with pushbutton "A";
- Lift the overflow pipe and let the water drain out of the tank;
- Wash thoroughly the tank and the filter housing to remove all impurities;
- Take the filters out and clean them under running water;
- Re-assemble the overflow pipe and the filters in their housings;
- Check and clean the washing and the rinsing jets;
- Clean the outer surface of the machine by using a wet sponge; do not use water jets because, besides being dangerous, they could damage the electrical parts; do not use abrasive detergents;
- When the machine is to remain idle for a long time, drain all the water from the boiler (the drain plug is located on the lower side of the boiler) and from the electropump. Also leave the wash tank open.

NEVER WASH THE EXTERNAL PART OF THE MACHINE WITH A WATER JET

POSSIBLE TROUBLES - CAUSES - SOLUTIONS

PROBLEMS	CAUSES	SOLUTIONS
The machine doesn't catch	Main switch is switched off;	Turn ON the main switch;
The water doesn't go in	Water cock closed;	Open water cock;
	The Overflow is not in place;	Reassemble the Overflow in place;
Insufficient Washing	Wrong detergent or dosage insufficient;	Use anti-foam detergent in the right dosage and never with cold water;
	Low temperature in the tank;	Wait until the water gets hot;
	Dirty wash filter;	Clean filter;
Insufficient Rinsing	Rinsing nozzles blocked;	Unscrew and clean nozzles under running water;
	Hydraulic pressure lower than 1 bar - 100 kPa;	Wait until the pressure is on or buy a booster pump;

CAUTION! FOR ANY OTHER TROUBLE, CALL SERVICE

USEFUL HINTS FOR STAINLESS STEEL MAINTENANCE

Stainless steel is so called because it is not affected by oxidation; this gives it resistance to a thin molecular layer of oxide on the surface which protects against further oxidation. There are, however, substances which can modify or destroy this layer, giving rise to corrosion: besides preventing the protective film of oxide from reforming, these substances corrode the stainless steel itself and can cause irreparable damage. It is therefore necessary to prevent this by choosing correct cleaning products and by complying with the following simple recommendations: **never forget that when using these appliances, the first and fundamental rule is to guarantee that the cleaning products are both non-toxic and hygienic.**

Before using any detergent to clean either the stainless steel or the immediate and surrounding floor area, always ask your supplier for the most suitable product which does not cause corrosion on the steel itself; the onset of rust is most commonly caused by the use of unsuitable cleaning materials (strongly acid chlorate based detergents) or on inadequate maintenance.

Our appliances are made of stainless steel AISI 304 (18-10 type) for exterior panelling, upper tops, tanks etc. Comply with the following instructions when cleaning and servicing parts in stainless steel.

Ordinary daily maintenance

Carefully and frequently clean the surfaces using a damp cloth; use soap and water or normal detergents, **so long as these do not contain abrasives or chlorine based substances** such as sodium hypochlorite (bleach), hydrochloric acid or other such solutions: These products quickly and irreparably corrode stainless steel. When cleaning floors underneath or near the appliances, never use the above mentioned products as vapours or splashes could subject the steel to similar destructive effects.

Only ever rub in the direction of the satining, then thoroughly rinse with clean water and carefully dry.

Rust : water supply pipes, inevitably convey particles of rust dissolved in the water especially in new installation plants or when taps are opened after a period of inactivity. These iron deposits must not be allowed to remain on the stainless steel since they produce rust by contamination.

Use suitable products to remove any rust marks, from companies which produce detergents for industrial use. After application, thoroughly rinse with clean water, neutralizing the action of the product with an alkaline detergent normally used to clean such appliances or with another specific product.

DO NOT USE METAL MATS TO CLEAN THE STAINLESS STEEL

Première partie - INSTRUCTIONS POUR L'UTILISATEUR

FONCTIONNEMENT ET EMPLOI

L'appareil Lave-vaisselle/Lave-verres assure une production horaire de 30 casiers.

L'indice de protection de la machine est IP21. Elle ne doit pas être lavée au jet d'eau directe et à haute pression.

La disposition correcte de la vaisselle est condition essentielle pour obtenir les meilleurs résultats de lavage. Ne pas utiliser de la vaisselle vieille, usée ou crevassée puisque la rugosité et la réglure retiennent plus facilement la crasse et offrent un abri aux bactéries. Il est à conseiller de procéder de temps à autre à la désincrustation en utilisant un détergent approprié, afin de faire décoller les dépôts calcaires et/ou amyliacés. Lors d'un achat de vaisselle nouvelle il convient d'observer les indications suivantes: pour les assiettes donner la préférence à celles en porcelaine ou céramique non poreuse à surface lisse. Pour les verres et les coupes: choisir une sorte de verre propre au lavage en Lave-vaisselle. Les surfaces doivent être lisses et les pieds le moins concaves possible.

AVANT LE LAVAGE

AVANT DE COMMENCER LES OPERATIONS DE LAVAGE, S'ASSURER QUE:

- le Robinet de l'alimentation hydrique soit ouvert et que l'eau ne manque pas dans le réseau;
- les Filtres et le Trop-plein soient dans leurs emplacements;
- le Tourniquet de lavage soit libre de sorte qu'il puisse tourner;
- le récipient de l'appareil doseur de produit pour le rinçage et de détergent pour le lavage soient remplis;

APRES CELA, PROCEDER AUX OPERATIONS SUIVANTES:

A - Introduire la vaisselle dans les paniers appropriés (voir page 17) après avoir enlevé tous les restes solides et les graisses. Mettre dans l'eau les couverts, et éventuellement les assiettes aussi si celles-ci sont lavées longtemps après l'usage, afin de faire décoller les restes de la nourriture.

Ne pas entasser les paniers, la vaisselle ne peut pas être superposée, l'eau doit avoir la possibilité de recouvrir la vaisselle directement de tous les côtés.

Pour un correct positionnement de la vaisselle voir le paragraphe spécifique.

B - Mettre la tension à l'interrupteur mural et pousser l'interrupteur "A" (DIS.1) qui se trouve sur le panneau de contrôle. Dans ce moment s'allumeront les lampes de contrôles des thermomètres et le bac se va remplir.

A remplissage terminé la lampe indicatrice de cycle "2" s'allumera.

C - Ouvrir le capote et introduire le panier avec la vaisselle dans la machine.

N.B. Quand le capote est ouverte la lampe de contrôle "E" clignote.

Avant de faire démarrer la machine contrôler que la lampe "D" sera fonctionnant.

Cette lampe vous informe que la température de l'eau de lavage et de rinçage est idéal.

D – Choisir la durée du lavage en poussant le bouton "B" selon les critères suivants :

Lampe 1 allumée : cycle court 2 minutes

Lampe 2 allumée : cycle intermédiaire 3 minutes

Lampes 1 et 2 allumées en même temps : cycle long 4 minutes.

La durée du cycle doit être choisie en fonction du degré de la crasse à enlever.

E - Baisser le capote.

Commençera le cycle de lavage que vous avez choisi. En plus il y aura une pause de 5 secondes et une phase de rinçage de 18 secondes utilisant de l'eau propre entre 82° ÷ 90° C (180÷195°F).

Les lampes de contrôle clignotent jusqu'à la fin du lavage. A la fin du lavage les lampes ferment de clignoter.

Il est possible d'interrompre le cycle de lavage à n'importe quel moment, simplement en poussant de nouveau le bouton "B".

La lampe "D" allumée indique la température idéale pour le lavage et rinçage (82°÷90°C/ 180÷195°F).

Le **rinçage** commencera qu'au moment de la température idéale. La durée de période de lavage sera prolongée jusqu'à la stabilisation de la température (thermocontrôle).

- **Cycle infini (maximum 15 minutes)**: avec la capote fermée et cycle inséré (n'importe quel), pousser pour 3 secondes le bouton "B" : les lampes 1 et 2 clignoteront en même temps (thermocontrôle exclu). Le cycle peut être interrompu à quelque moment que ce soit en poussant de nouveau le bouton "C", que fera commencer les séquences finales de pause-rinçage.

- **Stand-by**: avec la capote ouverte pousser pour 3 secondes le bouton "B" (la lampe "E" fermera de clignoter) : en fermant la capote la machine n'actionne pas le cycle de lavage en maintenant actives les fonctions de chauffage. Pour faire partir le cycle pousser le bouton "C".

Cycle Auto-lavage: avec machine allumée, effectuer les opérations suivantes :

- Enlever le trop-plein de la cuve et attendre que la même soit vide (pour machines équipées de

- pompe de vidange, voir les instructions au paragraphe spécifique),
- Fermer la capote du lave-vaisselle,
 - Maintenir pressé le poussoir du cycle "C" pendant 3 seconds : la lampe "2" clignote pour toute la durée du cycle de 5 ou 10 minutes en fonction du temps de rinçage fixé par default.

F – A la fin du cycle ouvrir la capote.

Enlever le panier, incliner le et secouer légèrement afin de faire tomber les gouttes restantes. Laisser sécher par évaporation la vaisselle. Ensuite enlever la vaisselle du panier, en veillant à ne pas toucher les parties internes ni les bords.

Remettre la vaisselle sur des rayons hygiéniques.

Pour continuer le lavage charger un autre panier avec la vaisselle dans la machine et refermer la capote . Le cycle repartira automatiquement .

RESULTATS OPTIMAUX

Une insuffisance éventuelle du lavage est visible lorsque ils restent des traces de saleté. Elles peuvent être causées par un rinçage insuffisant. Dans ce cas, contrôler que les jets de rinçage soient propres et qu'il y ait une pression suffisante dans le réseau de distribution de l'eau (idéale entre 2÷4 bar);

En cas de traces de saleté, vérifier que:

- les gicleurs de lavage sont propres
- le détergent est adapté en qualité et quantité
- les filtres de la cuve sont propres
- la position des objets dans la machine est correcte (VOIR PAGE 17)..

Emploi du détergent et du produit de rinçage

ATTENTION : utilisez seulement détergents et produits de rinçage spécifiques pour lave-vaisselle industriels, un détergent industriel alcalin qui ne produit pas de mousse.

N'utilisez pas un détergent pour lave-vaisselle domestiques. Ce type de détergent en effet produit beaucoup de mousse dans le lave-vaisselle et cela va annuler la garantie.

ATTENTION : les détergents pour lave-vaisselle industriels causent corrosion. Suivez toujours les instructions que vous trouvez sur les emballages et les enveloppes.

ATTENTION : ne mélangez pas produits détergents différents, cela pourrait provoquer la rupture du doseur de détergent à cause de la cristallisation.

ADDITIFS DE RINÇAGE

Pour garantir un rinçage parfait et un séchage rapide, et pour éviter le dépôt calcaire sur la vaisselle, il faut ajouter un tensio-actif (détersif de rinçage) à l'eau.

Le fournisseur du détersif pourra vous conseiller le produit le plus opportun.

La machine est dotée du doseur automatique de détersif liquide pour le rinçage. La concentration moyenne d'usage est de 0,15 g/litre.

NSF 3-2009 *qualités requises pour les doseurs détergent et désinfectant chimique*

Les doseurs du détergent et de produit de rinçage sont OPTIONAL.

Quand ils sont en dotation voir les instructions à la page 32 de ce manuel.

FONCTIONNEMENT POMPE DE VIDANGE

(seulement pour machines avec pompe de vidange)

Le fonctionnement de la pompe de vidange **est automatique seulement pendant le cycle** afin de vider l'eau de trop qui rentre pendant la phase de rinçage.

À la fin de la journée de travail, pour vidanger complètement la cuve, il faudra par ailleurs effectuer les suivantes opérations:

- 1 Ouvrir la capote de la lave-vaisselle
- 2 Enlever le **TROP-PLEIN** de la cuve;
- 3 Pousser le bouton « **F** » pour 3 secondes

Clignotent alternativement la lampe « **E** » et la lampe de cycle (dernière selles.)

Le vidange s'arrête automatiquement après 5 minutes. Le vidange peut être interrompu à n'importe quel moment en pressant de nouveau le bouton "F".

Les lampes s'arrêtent à clignotées

Quand la capote de la machine est ouverte la lampe de contrôle « **E** » clignote.

Remonter le trop-plein dans sa position correcte.

DETERSIFS

Le choix d'un détersif approprié est une condition indispensable pour obtenir des résultats optimaux de lavage sous le profil hygiénique. Il est donc important de tenir compte de quelques facteurs.

Tout d'abord, il est nécessaire d'utiliser seulement des produits non-moussants fortement alcalins et chlore-actifs spécifiques pour les lave-vaisselle industriels, fabriqués par des firmes de bonne renommée.

La concentration moyenne des détersifs en poudre doit être de 1,5 à 2,5 g/litre. La concentration moyenne des détersifs liquides doit être de 2 à 4 g/litre. Afin d'éviter l'incrustation et la corrosion, il faut introduire le détersif au-dessus du niveau de l'eau dans la zone la plus proche du filtre d'aspiration pompe, de sorte qu'il se dissolve immédiatement et ne se dépose pas sur le fond de la cuve.

DESINCRUSTATION

A cause des eaux dures, il se forment à l'intérieur de la cuve, parfois aussi sur la vaisselle, des dépôts calcaires qui, pour des raisons d'hygiène et de fonctionnement, doivent être enlevés par désincrustation.

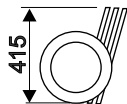
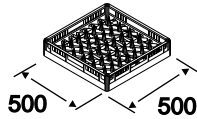
Le procès et la fréquence de cette intervention sont conseillés par le fournisseur du détersif qui dispose de produits appropriés en général à base d'acide phosphorique. Pour ne pas endommager la machine, ne pas exagérer dans les dosages et rincer abondamment après les opérations.

PLACEMENT DE LA VAISSELLE

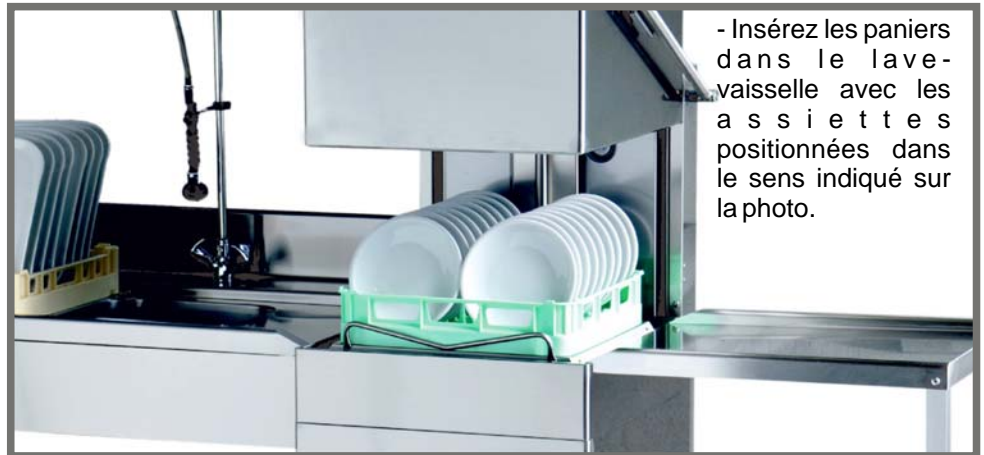
L21-ek

Attention!

Utilisez uniquement les paniers en dotation avec le lave-vaisselle !



Ouverture de chargement

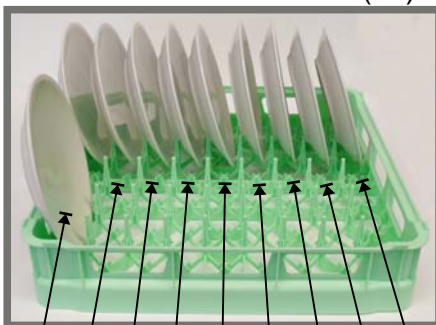


- Insérez les paniers dans le lave-vaisselle avec les assiettes positionnées dans le sens indiqué sur la photo.

- Afin d'optimiser le lavage de votre vaisselle, assurez vous du bon positionnement de cette dernière.

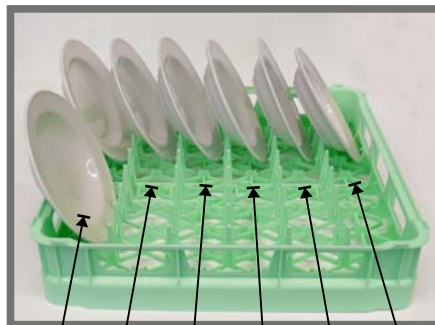
- Les assiettes doivent être placées dans les paniers en plastique, la partie concave vers le haut.

PP12-18 cod.CC00024 (2x)



1 2 3 4 5 6 7 8 9

- Les assiettes plates doivent être disposées, la partie concave vers le haut et sur le côté du panier avec les 9 lignes de rangement - soit un total de 18 assiettes plates, comme illustré sur la photo.



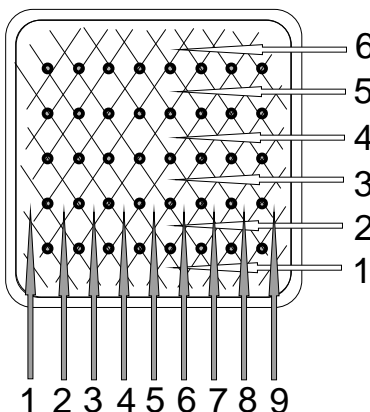
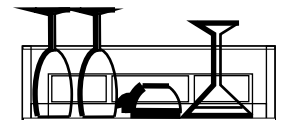
1 2 3 4 5 6

- Les assiettes creuses doivent être disposées, la partie concave vers le haut et sur le côté du panier avec les 6 lignes de rangement - soit un total de 12 assiettes plates, comme illustré sur la photo.

CB cod.CC00019 (1x)



- Les verres, les coupes et les tasses doivent être placés face vers le bas, dans les compartiments appropriés comme indiqué sur la figure suivante.



1 2 3 4 5 6 7 8 9

- Les couverts doivent être placés dans les petits paniers spéciaux, les manches vers le bas en ayant soin de ne pas les superposer comme indiqué sur la photo ci-dessus.

G cod.CC00045 (2x)



NETTOYAGE ET ENTRETIEN PREVENTIFS

AVERTISSEMENTS ET INSTRUCTIONS DE NETTOYAGE

- **IMPORTANT:** Avant d'effectuer toute opération de nettoyage et d'entretien, débrancher l'appareil du réseau électrique;
- A l'intérieur de la machine on a des températures élevées (90°C). Débrancher l'appareil du réseau électrique et attendre que la machine soit à température idéale avant d'opérer dans la même;
- Ne pas laisser d'ustensiles ou d'autres objets dans la machine;
- AVANT d'actionner la machine ou de réactiver le cycle de production à la suite d'opérations d'entretien ou de réparation, s'assurer que tous les abris et couvertures de protection soient correctement installés.

EVITER ABSOLUMENT DE NETTOYER L'APPAREIL PAR UN JET D'EAU

ENTRETIEN JOURNALIER

- Mettre hors tension la machine en poussant l'interrupteur "A" et faire écouler l'eau de la cuve en enlevant le Trop-plein;
- Attendre jusqu'à ce que toute l'eau se soit écoulée et qu'il ne reste pas d'ordures sur le fond de la cuve;
- Enlever les tourniquets de lavage et de rinçage, et les filtres de l'intérieur de la machine et les laver à l'eau courante chaude;
- Contrôler que les gicleurs de rinçage ne soient pas bouchés;
- Remettre les pièces enlevées dans leurs emplacements;
- Nettoyer l'extérieur de la machine au moyen d'une éponge humide; ne pas utiliser de jets d'eau car, en dehors du fait qu'ils sont dangereux, ils pourraient endommager les composants électriques;
- Afin d'éviter la formation de mauvaises odeurs, il est à conseiller de laisser le capot du lave-vaisselle ouvert;
- En prévision d'une inactivité prolongée de la machine il est bien de procéder aux opérations de désincrustation et d'assainissement.

INCONVENIENTS POSSIBLES - CAUSES - REMEDES

PROBLEMES	CAUSES	REMEDES
La machine ne démarre pas	Interrupteur général débranché;	Insérer l'interrupteur;
La machine ne charge pas l'eau	Robinet à l'eau fermé; Le Trop-plein n'est pas à sa place;	Ouvrir le Robinet; Remettre le Trop-plein dans sa place;
Lavage insuffisant	Faux dosage du détergent, Détergent insuffisant ; Température dans la cuve insuffisante;	Employer détergent antiécume avec dosage correct et jamais avec eau froide; Attendre le chauffage de l'eau;
	Filtre de lavage sale;	Nettoyer le filtre;
Rinçage insuffisant	Gicleurs de rinçage bloqués; Pression hydraulique inférieure à 1 bar - 100 kPa;	Dévisser et nettoyer les gicleurs à l'eau courante Attendre que la pression arrive ou acheter une pompe à pression;

ATTENTION! POUR TOUT AUTRE INCONVENIENT S'ADRESSER AU SERVICE APRES-VENTE

ASSAINISSEMENT

Il est bien de procéder au moins tous les 30 jours à cette opération qui garantit un état hygiénique parfait de la machine. Pour les procédés il convient de s'adresser au fournisseur de détersif, qui conseillera les doses et le produit le plus approprié. Ce dernier consiste en général d'une poudre à base de chlore-actif (100-200 ppm). Pour ne pas endommager la machine, ne pas exagérer dans les dosages et rincer abondamment après les opérations.

CONSEILS UTILES POUR L'ENTRETIEN DE L'ACIER INOXYDABLE

L'acier inoxydable est ainsi appelé parce qu'il ne subit pas l'action agressive de l'oxygène contenu dans l'air. Sa résistance est due à une mince couche moléculaire d'oxyde qui se forme à la surface et le protège contre l'oxydation.

Toutefois il y a des substances qui peuvent modifier ou détruire cette couche et entraîner donc des phénomènes de corrosion; ces substances non seulement empêchent la formation d'une nouvelle pellicule d'oxyde mais corrodent aussi l'acier inoxydable en provoquant ainsi des dégâts irrémédiables. Pour que cela ne se produise pas il faudra donc faire attention au choix des produits spéciaux pour le nettoyage et respecter simplement les conseils ci-après: ne jamais oublier que **la première règle fondamentale pour l'emploi de ces appareils est de garantir l'absence de toxicité et l'hygiène maximale des produits traités**. Avant d'utiliser un produit détergent pour le nettoyage de l'acier inoxydable ou du carrelage qui se trouve au dessous des appareils ou bien tout à côté, demandez toujours à votre revendeur quel est le type de détergent le plus indiqué et qui ne provoque pas de corrosion sur l'acier: si l'acier se corrode (il rouille), cela est dû dans la plupart des cas au produit utilisé pour le nettoyage qui n'est pas approprié (détergents fortement acides à base chloratée) ou bien à un mauvais entretien. Nos appareillages sont réalisés en acier inox AISI 304 (type 18-10) pour revêtements extérieurs, tuyautages et cuves.

Nettoyage ordinaire journalier

Nettoyer souvent et soigneusement les surfaces avec un chiffon humide; on pourra utiliser de l'eau avec du savon ou bien les détergents ordinaires pourvu **qu'ils ne contiennent pas de substances abrasives ou à base de chlore** comme l'hypochlorite de sodium (eau de Javel), l'acide chlorydrique (acide muriatique), ou d'autres solutions de cet acide: ces produits corrodent l'acier inox de façon irréversible et en très peu de temps. Pour nettoyer le carrelage qui se trouve en dessous ou tout à côté, ne jamais utiliser les produits ci-dessus car les vapeurs ou les gouttes pourraient produire sur l'acier des effets destructifs analogues. Frotter doucement exclusivement dans le sens du satinage. Rincer abondamment à l'eau pure et bien essuyer. Ne pas utiliser des jets d'eau qui pourraient provoquer des infiltrations.

Taches de rouille :les tuyauteries des installations d'alimentation en eau des éviers, casseroles et cuisinières débitent inévitablement de la rouille dissoute dans l'eau, notamment dans les installations toutes neuves ou si on ouvre les robinets après une longue période d'inactivité. Eviter donc de laisser des dépôts ferreux stagner sur l'acier inoxydable car ils provoqueraient des phénomènes de corrosion par contamination. Il est conseillé de faire construire les installations avec des tuyauteries galvanisées et laisser couler l'eau longtemps jusqu'à ce qu'elle soit claire. Pour éliminer les taches de rouille éventuelles, utiliser des produits spéciaux recommandés par les maisons qui produisent des détergents à usage industriel: après l'usage, rincer avec beaucoup d'eau pure et neutraliser l'action du produit avec un détergent alcalin normalement utilisé pour le nettoyage de l'acier ou avec un produit spécial.

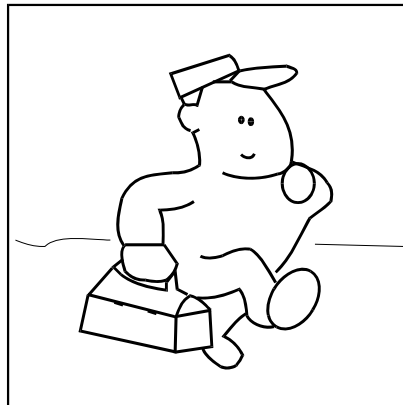
EVITER DE NETTOYER L'ACIER INOXYDABLE AVEC PAILLETES ABRASIVES !

INSTRUCTIONS FOR THE INSTALLER

The following instructions are addressed to a qualified personnel, the only one authorised to carry-out checks and repair, if any.
The Manufacturer declines any responsibility in the case of interventions made by a non qualified personnel.

INSTRUCTIONS POUR L'INSTALLATEUR

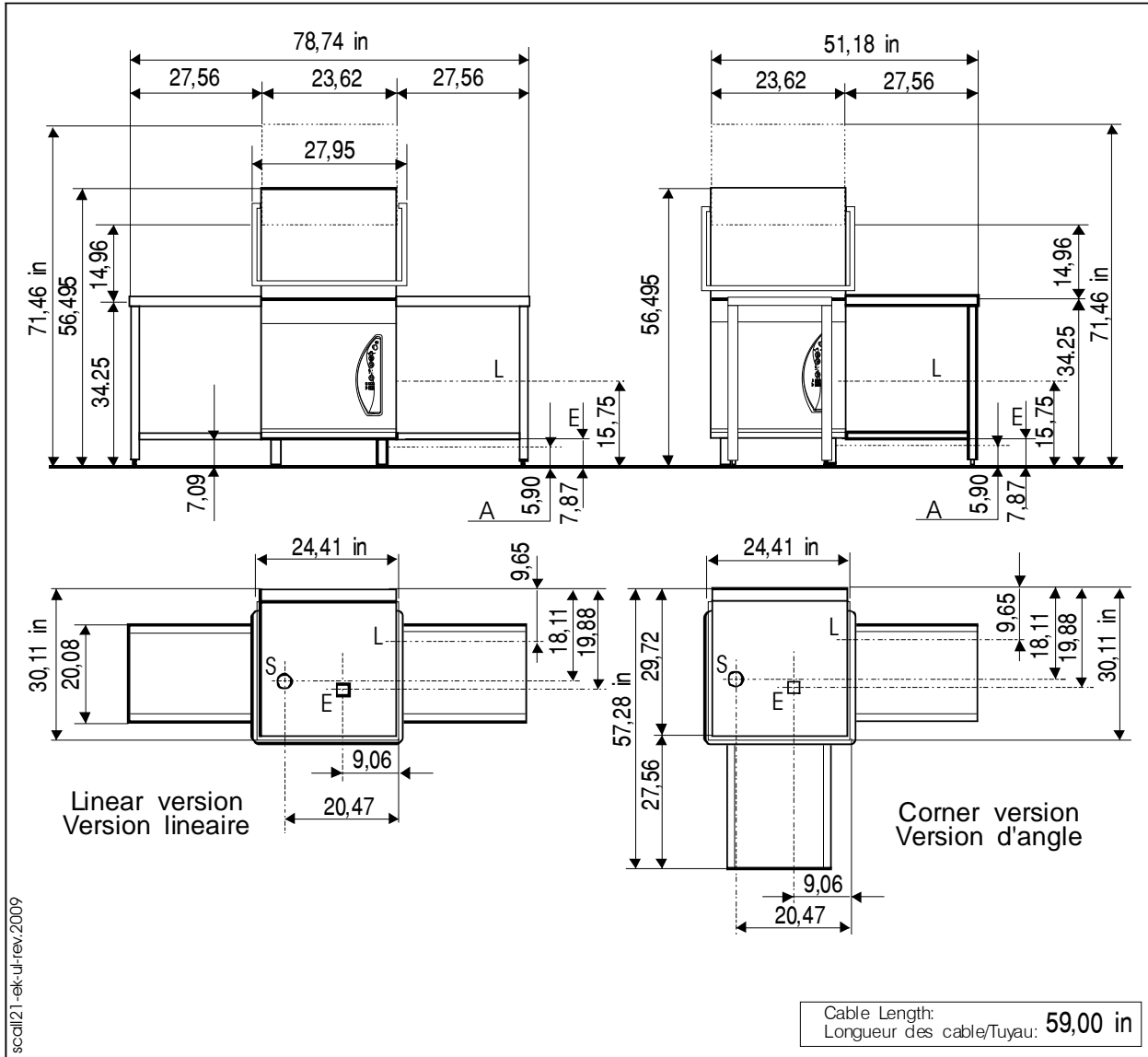
Les instructions suivantes sont adressées à un personnel qualifié, qui est le seul autorisé à effectuer les vérifications et les réparations éventuelles.
Le constructeur décline toute responsabilité en cas d'interventions effectuées par du personnel non qualifié.



2

INSTALLATION INSTALLATION

L21 ek



A	Maximum height for drain to wall Hauteur maximale pour vidange à mur	
E	Water inlet Electrovanne chargement	3/4" G
L	Electric input Branchement électrique	208/1 60Hz
S	Drain Evacuation Eau	32 mm - 1"1/4 G

Dis. 2

Second Section - FOR THE INSTALLER

During installation carry out a good machine levelling, which is a prerequisite for a correct operation thereof.

The Manufacturer cannot assume any responsibility for any damage to persons or property deriving from the non-observance of the above specified norms.

For a correct installation see the drawing on page 22.

The dishwasher shall be installed in accordance with local codes, or in the absence of local codes, installed in accordance with the applicable requirements in the National Electrical Code, NFPA 70, Canadian Electrical Code (CEC), C22.1, and Standards for Ventilation Control and Fire Protection of Commercial Cooking Oper 96.

ELECTRICAL CONNECTION

Before connecting the machine, make sure the voltage outlet of the mains is the same as the voltage specified on the data plate of the machine.

A flexible cord used in a power-supply shall be Type S, SE, SO, SOO, ST, STO or STOO. The length of the cord - measured from the face of the attachment plug to the point of entry into the dishwasher - shall not be less than 59,00 in.

Ground Markings - States "G", "GND", "GR" or equivalent markings such as the ground symbol. Located near equipment grounding terminal inside the field wiring compartment.

Supply Connection Markings - Each unit will be marked as follows, "Minimum Supply Conductor

GROUNDING - All products shall have means for grounding through the supply cord of a cord connected product or through a grounding terminal of a field wired product. The ground shall be separated from the neutral conductor.

All exposed dead-metal parts of the enclosure and all dead-metal parts within the enclosure likely to be contacted by the operator or serviceman during normal use or servicing, shall be conductively bonded to the ground connection.

The conductors used for bonding individual dead-metal shall be insulated and equal to or greater than the largest AWG size of the

conductor of the component mounted to the dead-metal or routed along the dead-metal in accordance with the National Electric Code, ANSI/NFPA 70.

The ground shall be connected to the frame or enclosure by a positive means penetrating any nonconductive coatings and located so that it is unlikely to be removed during normal servicing.

Ground wires shall be identified by green with or without one or more yellow striped, and no other lead shall be so identified.

Ground terminals shall be identified by the use of one of the following:

- 1) Identified by the ground symbol (IEC Publication 417, Symbol No. 5019) on or adjacent to the connector.
- 2) Identified by "G", "GR", "GND", "Ground" or equivalent.
- 3) Use of a hexagonal or slotted (or both) green head wire-binding screw.
- 4) Use of a threaded stud with a green hexagonal nut.
- 5) Use of a green pressure terminal connector.

THE MACHINE SHALL BE CONNECTED WITH AN EFFECTIVE GROUND CLAMP.

The manufacturer declines any responsibility for any damages caused by lack of an effective ground installation.

CONNECTIONS TO THE POWER SUPPLY

Before using the dishwashing machine, check that all electrical protection systems are working correctly.

Attention: The machine should not be regarded as isolated from the power supply unless switched off at the customer's main switch.

- Connect the power cord to the customer's power system. (The power cord can be wired directly into the customer's power supply or a plug may be added to the end of the cord. The ground wire is green, neutral is black and live is black.) make sure the unit is properly grounded.
-
- The power cord comes attached from the factory, if replacement is required note: the ground wire is yellow-green and the live wires are black or brown.

WATER SUPPLY CONNECTIONS

Water and waste piping and connections shall **comply with the International Plumbing Code, International Code Council (ICC) or the Uniform Plumbing Code, International Association of Plumbing and Mechanical Officials (IAPMO).**

Ensure that the water supply line is thoroughly flushed before the dishwashing machine is connected. It is necessary to remove all foreign debris from the water supply line so that they do not cause any damage to dishwashing machine components.

For service purposes, it is recommended that a shut-off valve be installed in the water supply line before the connection to the dishwashing machine

The water supply line must be of 15-25 psi "flow" pressure at the temperature specified on the machine dataplate. "Flow" pressure is the pressure in the water supply line when the machine's water solenoid valve is opened during the cycle.

A ½" pipe size (minimum) is recommended. In installations where the pressure in the water supply line fluctuates or is greater than the required pressure, it is recommended to install a water pressure regulator (not included with dishwashing machine).

It is also recommended to install a shock absorber (not included with dishwashing machine) in the water supply line. This prevents damage to the machine from water line "hammer" (hydraulic shock) in the water supply line.

Water installation must have the following characteristics:

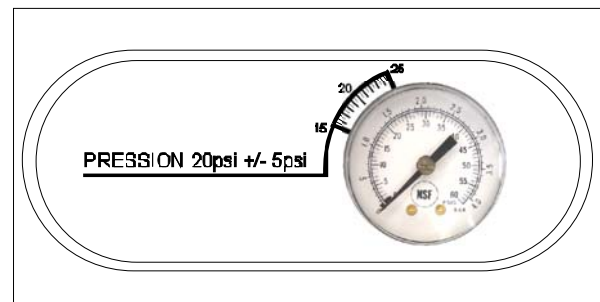
Inlet Temperature MAX : 55°C – (131°F)

Work Dynamic Pressure :

1,38 +/- 0,34 bar - (138 +/- 38kPa)

20 +/-5 psi

(Look at data pressure-gauge on the front panel)



WARNING!

If the dynamic pressure is lower than specified on the data plate of the machine, it is advisable to install a Booster Pump.

Hardness: between 7,2 and 12,5 °French.

If the hardness values are higher than those mentioned above, it is advisable to install a water-softener.

WORK TEMPERATURES

Water temperature >67°C (>152,6 °F)

Rinse temperature 82°÷90°C (180÷195 °F)

n.b.: To help a correct working of the thermocontrol system, do NOT adjust the thermostat during the washing cycle.

DO NOT TAMPER WITH THE THERMOSTAT CALIBRATION

WATER DRAIN

According to the dimensions of the drawing; water drain and feeding pipe should have the same diameter as the water inlet of the machine.

It must be furnished with a siphon and have a right slope.

The machine is provided with a flexible pipe for the connection with the water-work. Make sure there are no throttlings along the pipe.

Carefully comply with any national or regional regulations in force.

Connencting the drain line:

All plumbing connections must comply with all applicable national, state and local plumbing codes.

DETERGENT REPLACEMENT AND CLEANING OF THE DETERGENT PUMP HOSES

Guidelines to be followed when replacing detergent :

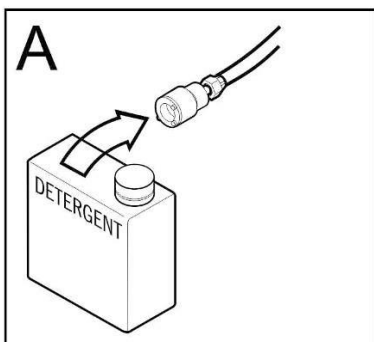
- If you leave the machine without detergent, crystallization arises due to the formation of air bubbles
- Set up again detergent pump hose anytime you use a new detergent
- The whole system consists of a container, dosage hoses and detergent pump hoses and must be cleaned before using a new detergent.
- Call on your authorized technical assistance to fulfil the necessary operations to obtain a good cleaning result.
- You are recommended to proceed with the cleaning of the dosage hoses and the detergent pump with water once a month.

Failure to comply with these guidelines will render this guarantee invalid. Lamber disclaims any liability for consequential damage on the product.

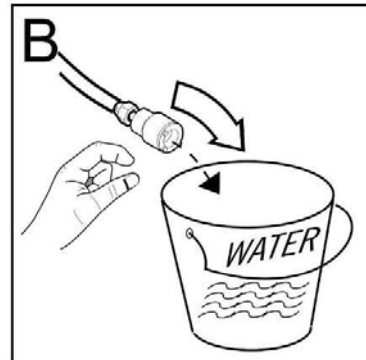
You can clean yourself the dosage hoses and the detergent pump with water.

Guidelines:

- A - Disconnect the suction hose from the detergent can.

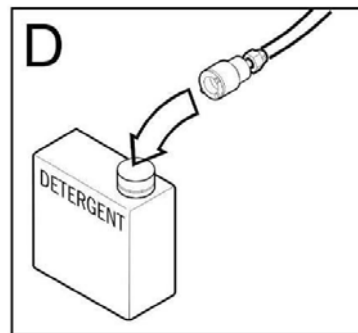


- B - Connect the suction hose to a new water recipient.



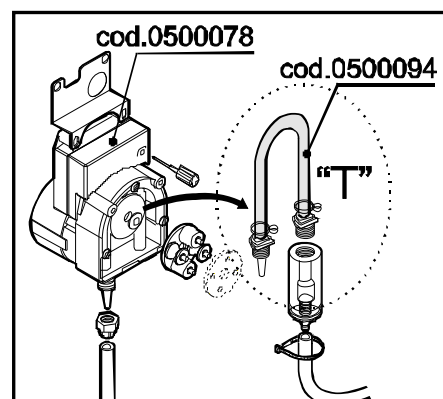
- C - Switch **the Self-cleaning cycle** on (see paragraph page 9)

- D - Once self-cleaning is finished, connect the suction hose to the detergent can.



WARNING: Respect security and chemical dosage guidelines. When using chemical products you must wear personal protection equipment, gloves and protection glasses. Do not mix different detergents together.

WARNING: Replace one a year the peristaltic pumps suction pipe cod. 0500094 (see draw)



Deuxième partie - INSTRUCTIONS POUR L'INSTALLATEUR

Positionner la machine près des attaches.

Pendant l'installation, effectuer la mise à niveau de la machine et contrôler à l'aide d'un niveau que la machine soit parfaitement en équilibre.

La Maison décline toute responsabilité pour les éventuels dommages dérivants du manque d'observation des normes citées.

Pour le positionnement correcte voir le dessin à la page 22.

Le lave-vaisselle doit être installé selon les règles locales ou, en absence de normes locales, installé selon les directives du National Electrical Code NFPA 70, du Canadian Electrical Code (CEC), C22.1, et des Standards for Ventilation Control and Fire Protection of Commercial Cooking Oper 96.

BRANCHEMENT ELECTRIQUE

Avant d'utiliser l'appareil, vérifier que la tension de réseau soit la même que celle qui est indiquée sur la plaque de l'appareil.

Le câble flexible utilisé pour la connexion au réseau électrique doit être du type S, SE, SO, SOO, ST, STO ou STOO. La longueur du câble, mesurée à partir de la fiche jusqu'au point d'entrée dans la machine, ne doit pas être inférieure de 59,00 in.

Marquage de terre - 'G', 'GND', 'GR' ou marquages équivalents comme le symbole de terre. Ils se trouvent à côté de la borne de la mise à terre à l'intérieur de la boîte électrique.

La sécurité électrique de cet équipement n'est assurée que lorsque l'équipement est raccordé comme suit.

MISE A LA TERRE – Tous les produits doit avoir les moyens pour la mise à terre par le câble d'alimentation (en cas d' un objet connecté par un câble) ou par une borne de mise à la terre. La masse doit être séparée du neutre.

Tous les éléments en métal non-conducteur qui peuvent entrer en contact avec l'utilisateur ou le technicien qui s'occupe de l'entretien pendant le normal emploi de la machine ou l'entretien de la même, doivent être connectés à la terre.

Les conducteurs utilisés pour connecter à la terre le métal non-conducteur doivent être isolés et équivalents ou supérieurs à la plus grosse dimension AWG du conducteur qui fait partie du

composant du métal non-conducteur sur la base du National Electrical Code ANSI/NFPA 70.

La terre doit être connectée par un élément positif qui pénètre tous les gaines isolantes et positionné si de rendre presque impossible de la déplacer pendant le normal entretien.

Les fils de masse doivent être identifiés par la couleur vert ou par une ou plusieurs raies jaunes, et aucun autre conducteur ne doit être ainsi identifié .

Les bornes de masse doit être identifiées en utilisant un des moyens suivants :

1. identifié par le symbole de masse (publication IEC 417, symbole n. 5019) qui se trouve sur ou à côté du connecteur identifié par 'G', 'GR', 'GND' 'Terre' ou équivalent
2. emploi d'une vis avec tête vert hexagonale ou avec fente ou les deux
3. emploi d'un goujon fileté avec un écrou hexagonal vert
4. emploi d'un connecteur terminal à pression vert .

LA MACHINE DOIT ETRE BRANCHEE A UNE PRISE DE TERRE QUI FONCTIONNE BIEN

Le constructeur décline toute responsabilité pour tout endommagement éventuellement provoqué par l'absence d'une installation efficace de mise à la terre.

BRANCHEMENT AU RESEAU ELECTRIQUE

Avant d'utiliser la machine, vérifiez que tous les systèmes de protection électrique fonctionnent correctement.

Attention : la machine ne doit pas être considérée comme isolée du réseau électrique à moins que elle ne soit pas débranchée de l'interrupteur principal du client.

- Connecter le cordon d'alimentation au réseau électrique du client (le câble peut être relié directement au réseau électrique du client ou une fiche peut être rajoutée à la partie finale du cordon. Le fil de terre est vert, le neutre est noir et la phase est noir). Assurez vous que l'unité est correctement mise à terre.
- Le cordon d'alimentation est attaché d'usine, si un remplacement est nécessaire faites attention que : le câble de terre est jaune-vert et les câbles conducteurs sont noirs ou marrons.

BRANCHEMENTS AU RESEAU HYDRAULIQUE

Tous les branchements hydrauliques doit être conformes aux normes nationales, provinciales et locales.

Assurez vous que la conduite d'alimentation hydraulique est soigneusement lavée avant de connecter le lave-vaisselle.

Il faut enlever tous les déchets étrangers de la conduite d'alimentation hydraulique afin d'éviter qu'ils puissent causer des dommages aux composants de la machine.

En cas d'entretien, c'est conseillé d'installer un soupape à fermeture dans la conduite d'alimentation hydraulique avant de la connexion à la machine.

La conduite d'alimentation hydraulique doit avoir une pression du flux entre 1-1,7 bar (15-25 psi) et la température indiquée dans la plaquette avec les données de la machine.

La pression de flux est la pression dans la conduite d'alimentation quand l'électrovanne de la machine est ouverte pendant le cycle.

La dimension minimale conseillée pour le tube est de 1/2" .

Pour des installations dans lesquelles la pression dans la conduite d'alimentation est fluctuante ou plus haute de la pression nécessaire, c'est

conseillé d'installer un régulateur de la pression de l'eau (qui n'est pas inclus dans la machine).

C'est aussi conseillé d'installer un amortisseur (qui n'est pas inclus dans la machine) dans la conduite d'alimentation. Cela va éviter des dommages à la machine causés par le choc hydraulique dans la conduite d'alimentation.

L'installation doit avoir les caractéristiques suivantes:

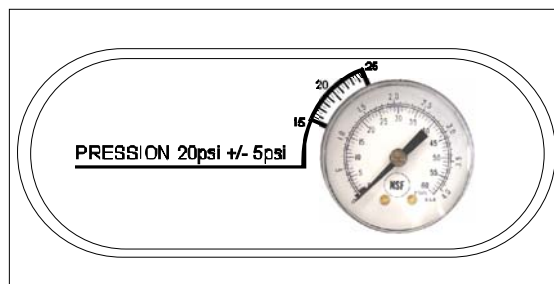
Température eau entrée MAX : 55°C – (131°F)

Pression Dynamique machine en marche :

1,38 +/- 0,34 bar - (138 +/- 38kPa)

20 +/-5 psi

(Voir les données du manomètre pression sur le panneau frontal)



ATTENTION!

Si la pression d'eau est inférieure à celle indiquée sur la plaque de l'appareil, il faut installer une pompe augmentation pression.

Durée : de 7,2 à 12,5 °f

Si les valeurs de dureté sont supérieures à celles citées il est à conseiller d'utiliser un adoucisseur d'eau; à défaut de celui-ci il faudra souvent procéder aux opérations de désincrustation et augmenter la concentration de détersif.

Il est conseillé d'utiliser seulement des adoucisseurs à "échange ionique" à "Osmose inverse": les procédés basés aux champs électriques ou aux radiations électromagnétiques sont tout à fait inutiles pour l'usage en lave-vaisselle.

CONDUIT: Disposer près de la machine un robinet d'arrêt d'eau avec filetage taraudé de 3/4" Gas. La machine est dotée d'un tuyau flexible et d'un filtre pour le branchement au réseau hydraulique.

TEMPERATURES DE TRAVAIL

Eau de lavage >67°C (>152,6 °F)

Eau de rinçage 82°÷90°C (180÷195 °F)

NE PAS VIOLER LE TARAGE DES THERMOSTATS

n.b. Pour un correct fonctionnement du dispositif "Thermocontrôle ne pas violer le tarage des thermostats pendant le fonctionnement du cycle de lavage !

VIDANGE

On peut l'atteindre par la façade de la machine en enlevant le panneau antérieur.

Le Vidange doit être disposé si possible au sol et avoir un diamètre de **1"¼ (42 mm)** au minimum, muni d'un siphon et avoir une inclinaison adéquate.

S'il y a déjà une telle installation, mais autrement disposée, il est possible de brancher le vidange par le tuyau flexible de **32 mm** de diamètre et le coude en dotation.

S'assurer qu'il n'y ait pas d'étranglements le long de celui-ci.

Respecter rigoureusement les normes Nationales et Régionales concernant la matière.

Connecter la conduite de vidange

Tous les branchements hydrauliques doit être conformes aux normes nationales , provinciales et locales.

SUBSTITUTION DU PRODUIT LESSIVIEL ET NETTOYAGE DES TUYAUX DU DOSEUR DE LAVAGE

Lors de la substitution du liquide lessiviel nous vous recommandons de suivre les consignes suivantes :

- En laissant la machine sans produit lessiviel des bulles d'air se forment et produisent des cristallisations.

- À chaque emploi d'un nouveau produit lessiviel, il est nécessaire de procéder au réglage du doseur

- Un nettoyage soigné avec de l'eau de l'ensemble du système composé d'un bac, de tuyaux de dosage et du doseur de produit lessiviel doit être effectué avant toute utilisation de nouveau liquide lessiviel.

- Confier les opérations nécessaires à l'obtention d'un résultat d'un lavage optimal au technicien du service d'assistance technique autorisé.

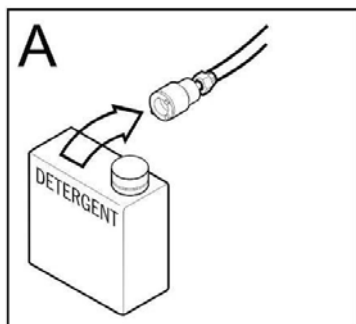
- La fréquence avec laquelle, nous vous conseillons de procéder au lavage avec de l'eau des tuyaux de dosage et du doseur est une fois par mois.

Les conditions de garantie ne s'appliquent pas en cas de non respect des instructions telles que décrites ci-dessus. Lamber décline toute responsabilité sur le produit dans le cas où vous ne vous conformeriez pas à celles-ci.

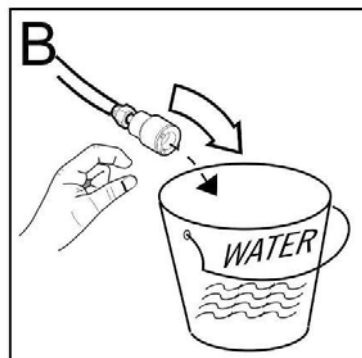
Il est possible de nettoyer vous-même les tuyaux de dosage et le doseur avec de l'eau.

Veillez suivre les instructions ci-après:

A - Extraire le tuyau d'aspiration du bac contenant le liquide lessiviel .

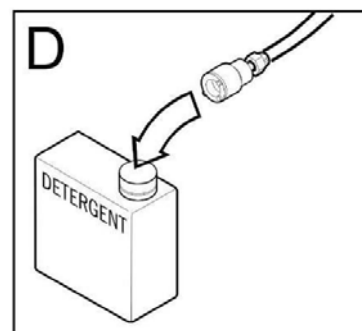


B - Immerger le tuyau d'aspiration dans un nouveau récipient plein d'eau.



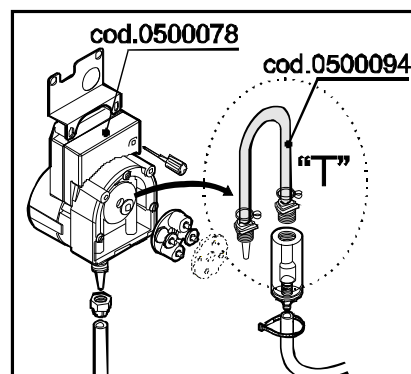
C - Actionner le **cycle d' "Autolavage"** (voir paragraphe spécifique page 15)

D - Une fois la phase d'auto-lavage terminée, connecter le tuyau d'aspiration au bac contenant le produit lessiviel .



ATTENTION: Suivre les consignes de sécurité ainsi que les indications de dosage concernant l'emploi de produits chimiques. Porter l'équipement de protection individuelle, gants et lunettes de protection pendant le maniement de substances chimiques. Ne pas mélanger des produits détergents différents.

ATTENTION! Remplacer une fois par an le tube d'aspiration de la pompe péristaltique cod. 0500094 (voir dessin).



TABLES FITTING PLAN MONTAGE DES TABLES



To fix the side tables please see drawing above.

Fixer les tables latérales suivant le schéma "1".

Corner version

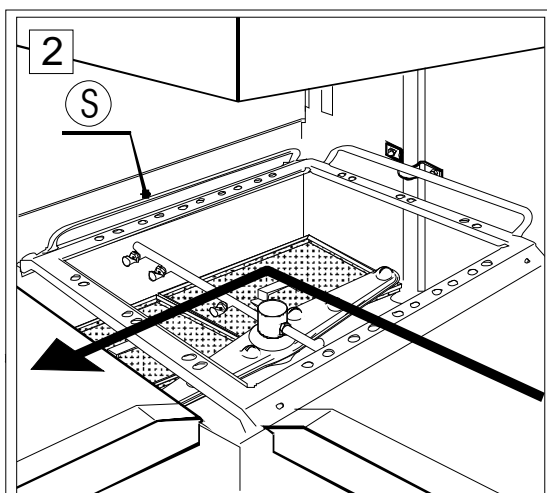
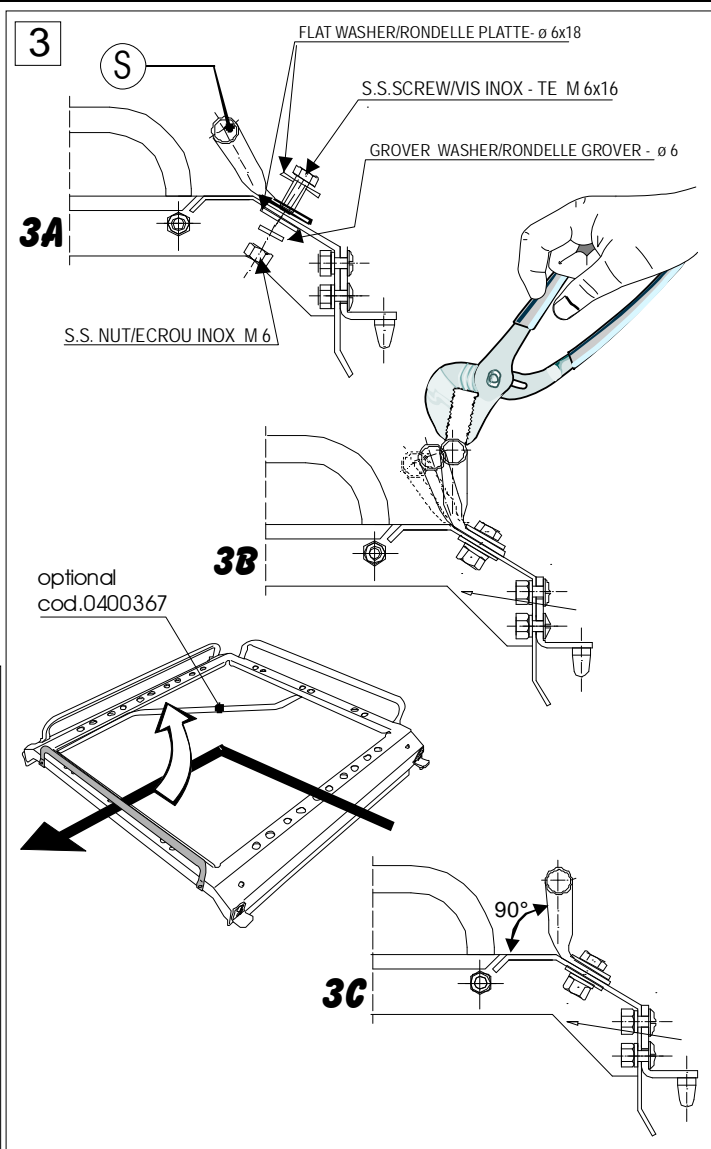
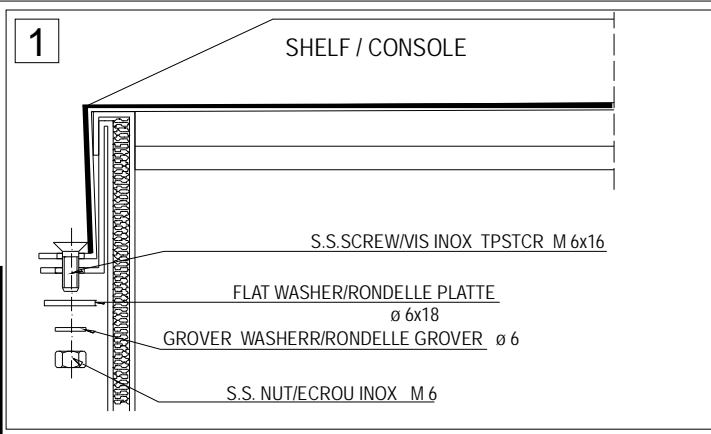
With corner versions unscrew the basket lock "S" and screw it in the position by drawing "2", fixing it to the existing holes (see drawing "3A").

Then bend the support by using the apposite key, as shown in drawing "3B", up to the position indicated in "3C".

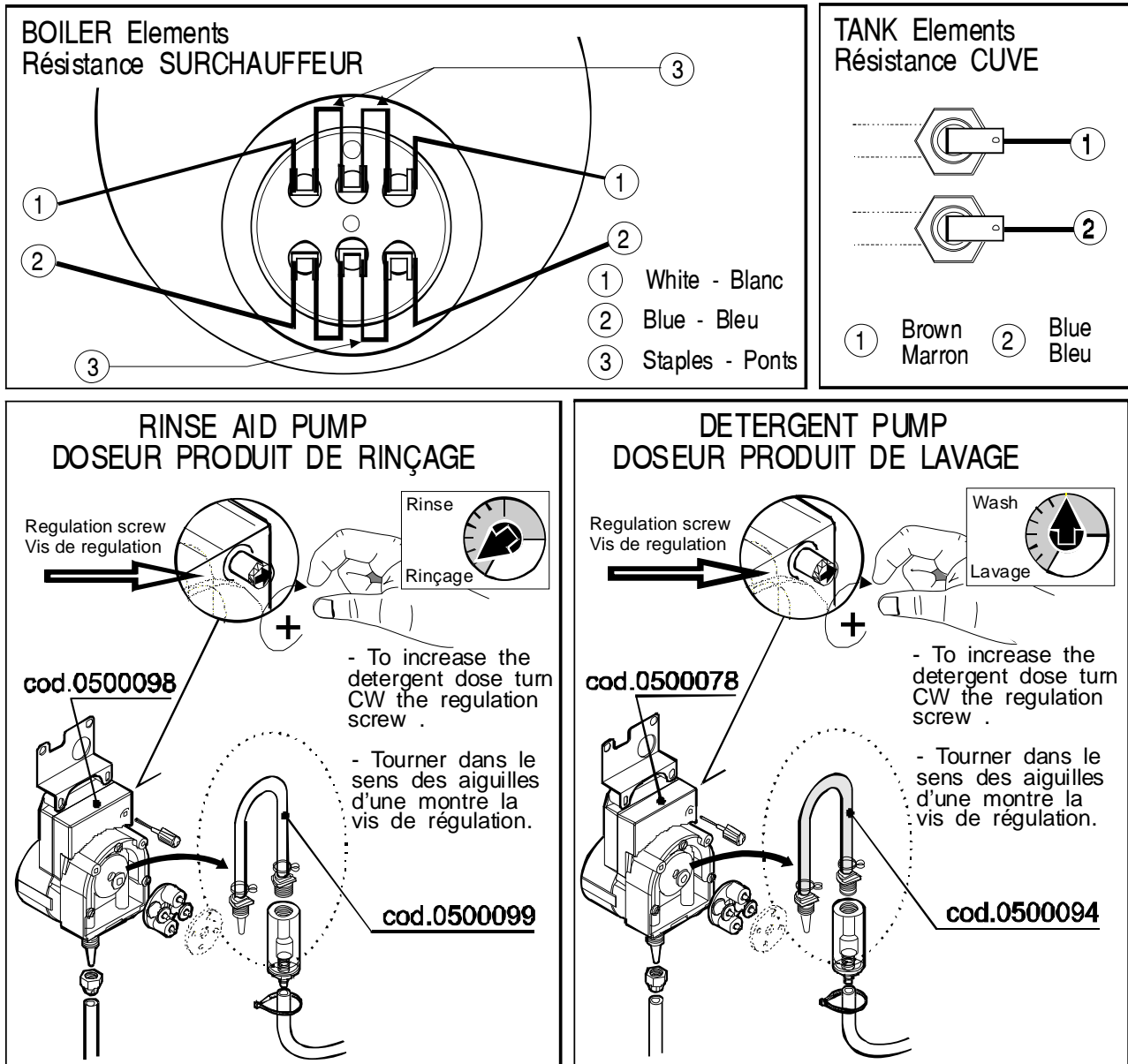
Version d'angle

Pour les versions d'angles il faut dévisser la tige d'arrêt du panier "S" et la visser dans la position indiquée dans le schéma "2" en le fixant aux trous existants (voir schéma "3A").

Ployer ensuite le support par la clé approprié, comme dans le schéma "3B", jusqu'à gagner la position indiquée dans "3C".



CONNECTIONS SCHEME ■ SCHEMA BRANCHEMENTS



English :

Feeders (rinse-aid, or detergent) are OPTIONAL. When provided see instructions below :

"The machine must be operated with an automatic detergent feeder, including a visual means to verify that detergents and sanitizers are delivered or a visual or audible alarm to signal if detergents and sanitizers are not available for delivery to the respective washing and sanitizing systems.

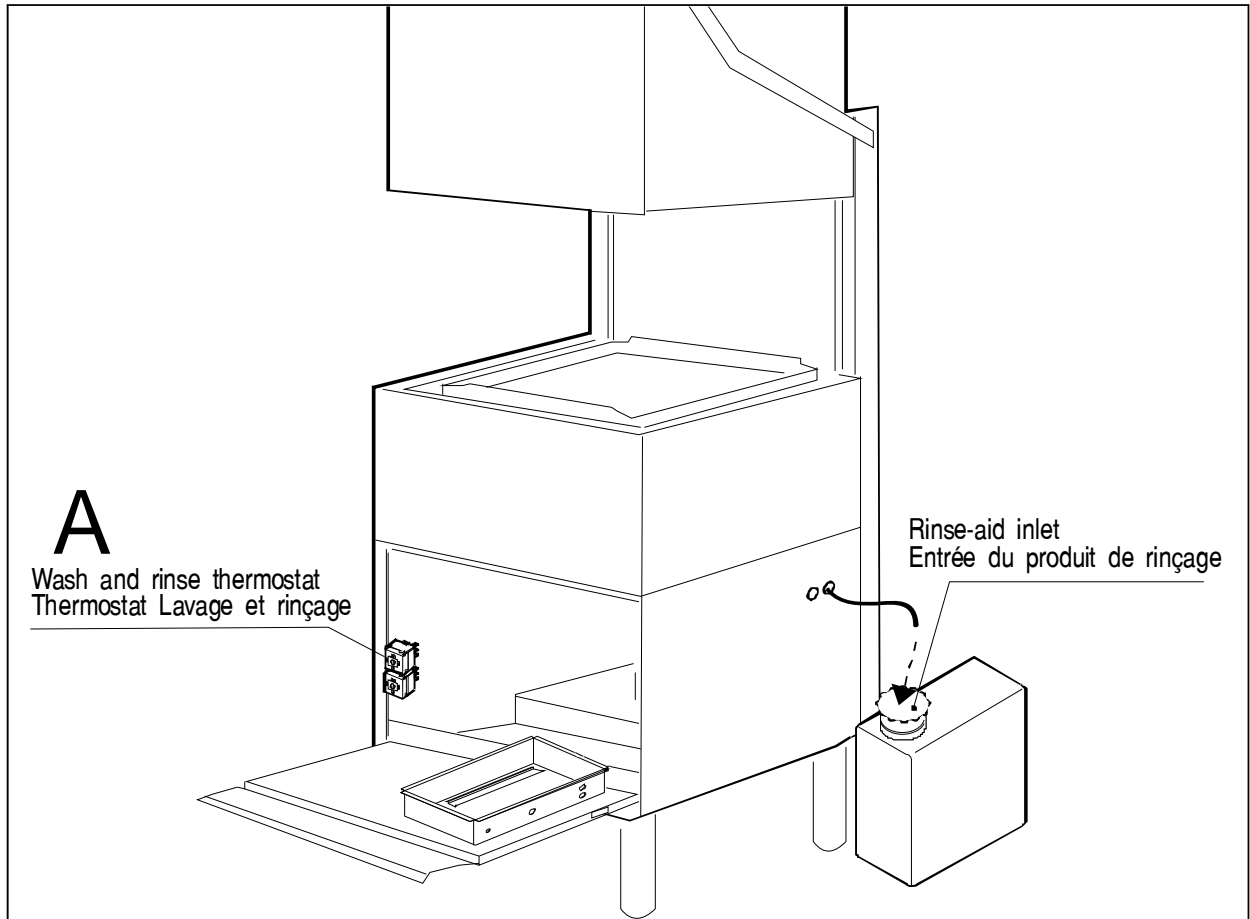
Please see instructions for electrical and plumbing connections located in this manual and in the feeder equipment manual."

Français :

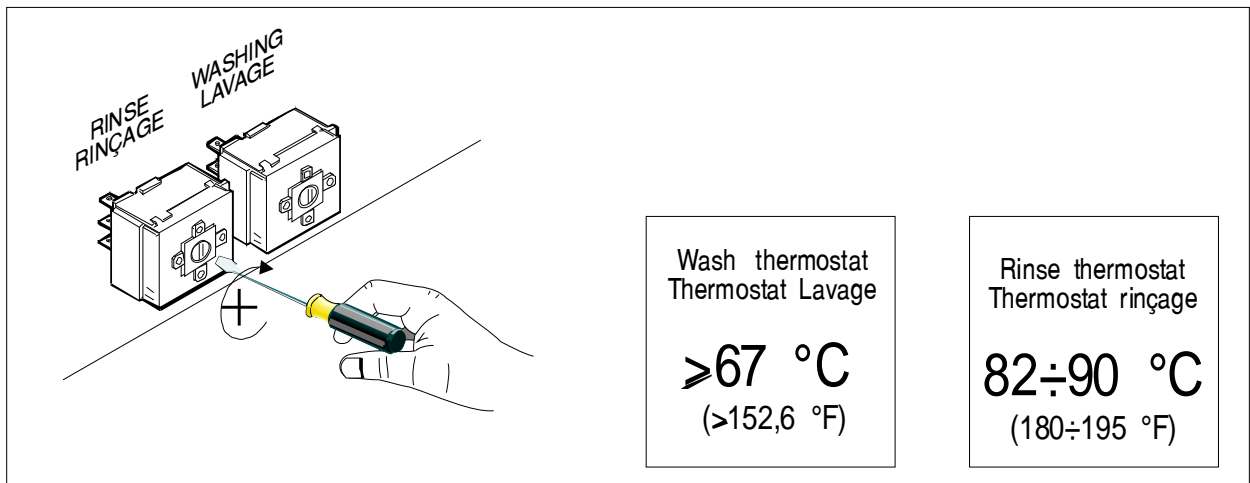
Les doseurs du détergent et de produit de rinçage sont OPTIONAL. Quand ils sont en dotation voir les instructions suivantes :

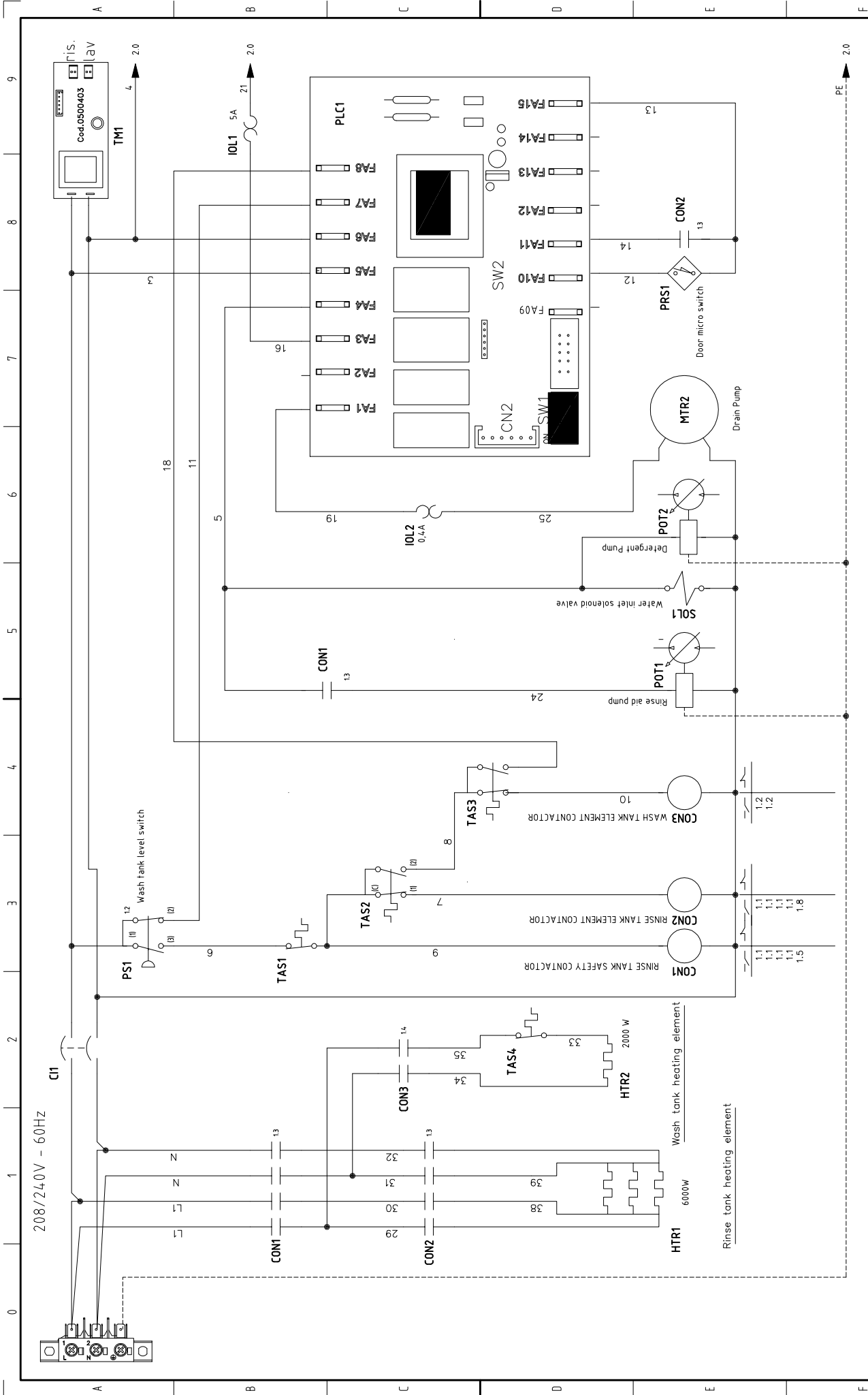
Il faut faire fonctionner la machine avec un doseur automatique du détergent, incluant un moyen visuel pour vérifier que les détergents et les produits de rinçage soient distribués ou une alerte visuelle ou acoustique pour signaler si les détergents et les produits de rinçage ne sont pas disponibles pour être distribués aux systèmes de lavage et rinçage. SVP veuillez voir les instructions pour les branchements électriques et hydrauliques qui se trouvent dans ce manuel et dans le manuel du doseur.

REGULATION SCHEME SCHEMA REGULATION



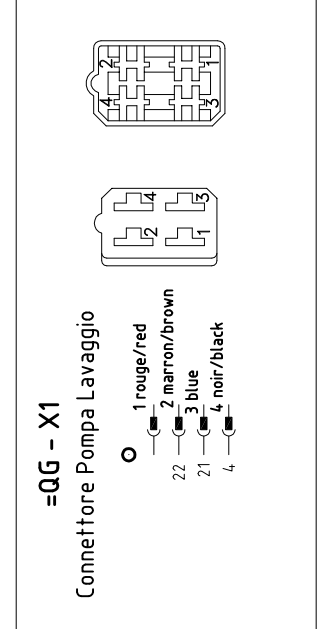
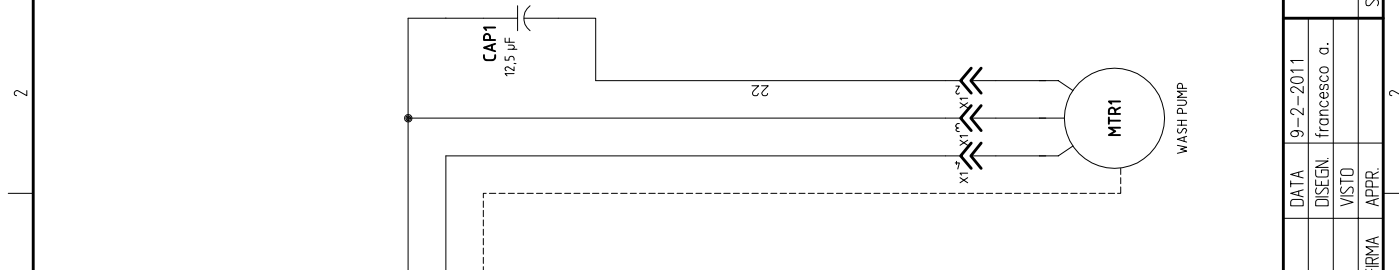
A- Wash and rinse thermostat Thermostat Lavage et rinçage





REV.	MODIFICA	DATA	FIRMA	APPR.	0	1	2	3	4	5	6	7	8	9
		9-2-2011												
DATA	DISIGN	9-2-2011 francesco a.												
VISTO	via Italia 6 - Lodivecchio Lodi - ITALIA													
SOST. IL. : 23-11-2011 SOST. DA : FILE : L21EKUL														
lomber														
Dishwasher L21-ekUL-NSF														
Circuit														
L21UL														
FG. 1 FT.2														
FS. 2														

Nome/Item	Descrizione/Description	Codice Interno (Ib)	Funzione/Function [1]	Q.ta/Q.ty	Quadro/Board
CAP1	Condensatore 12,5 µF CORAZZATO	0300083	Wash pump motor Capacitor	1	=QG
CI1	Interruttore 2NO 12A UL	0301006	Control circuit breaker	1	=QG
CON1	CONTATTORE 230/50-60Hz 16A	0300058	RINSE TANK SAFETY CONTACTOR	1	=QG
	CONTATTI AUSILIARI INO-INC	0300393		1	
CON2	CONTATTORE 230/50-60Hz 16A	0300058	RINSE TANK ELEMENT CONTACTOR	1	=QG
	CONTATTI AUSILIARI INO-INC	0300393		1	
CON3	CONTATTORE 230/50-60Hz 16A	0300058	WASH TANK ELEMENT CONTACTOR	1	=QG
HTR1	Resistenza su flangia 6000W 230/400	0300012	Rinse tank heating element	1	=BM
HTR2	Resistenza vasca 2000W/230	0300067	Wash tank heating element	1	=QG
IOL1	TERMICA UNIPOLARE W106-P10 5Amp	0301790	Wash pump motor overload protection	1	=QG
IOL2	TERMICA UNIPOLARE I06-P10 0,4A	0301791	Drain pump motor overload protection	1	=QG
MTR1	Single Phase Electric Pump HP0.75 V208-240 Hz60	0300248	WASH PUMP	1	=BM
MTR2	Pompa scarico 34W 220 V AC-60Hz	0300069	Drain Pump	1	=BM
PLC1	Scheda 4 relé fastiera a membrana	0300824	Program and control PCB Board	1	=QG
POT1	Dosatore peristaltico visualizzato 230VAC 50/60Hz 4,5W	0500078	Rinse aid pump	1	=BM
POT2	Dosatore peristaltico visualizzato 230VAC 50/60Hz 4,5W	0500078	Detergent Pump	1	=BM
PRS1	Micronterruttore magnetico	0300138	Door micro switch	1	=QG
PS1	Pressostato 110-30	0301504	Wash tank level switch	1	=QG
SOL1	Elettrovalvola OT 85° 3/8" 230V	0301150	Water inlet solenoid valve	1	=BM
TAS1	Termostato riarmo 10Amp 105°C	0300302	RINSE TANK SAFETY THERMOSTAT	1	=BM
TAS2	Termostato INONC max 90°C	0300005	RINSE TANK THERMOSTAT	1	=BM
TAS3	Termostato INONC max 70°C	0300007	Wash tank thermosta	1	=BM
TAS4	Termostato riarmo a contatto 85° 1NC	0300304	Wash tank safety thermostat	1	=BM
TM1	Termometro digitale 2 Temperature	0500403	Digital thermometer	1	=BM



 via Italia 6 - Lodivecchio Lodi - ITALIA		SOST. IL : 23-11-2011 SOST. DA :		FILE : L21EKUL
REV.	MODIFICA	DATA	FIRMA	APPR.
		9-2-2011		
	DATA	9-2-2011		
	DISEGN	francesco a.		
	VISTO			
Dishwasher L21-ekUL-NSF Circuit				L21UL FG. 2 FT.2 F.S. /

P.C.BOARD FICHE ELECTRONIQUE

**CYCLE FUNCTION
FONCTION CYCLE**

**MANUAL CYCLE
CYCLE MANUEL 1**

**AUTOMATIC CYCLE
CYCLE AUTOMATIQUE**

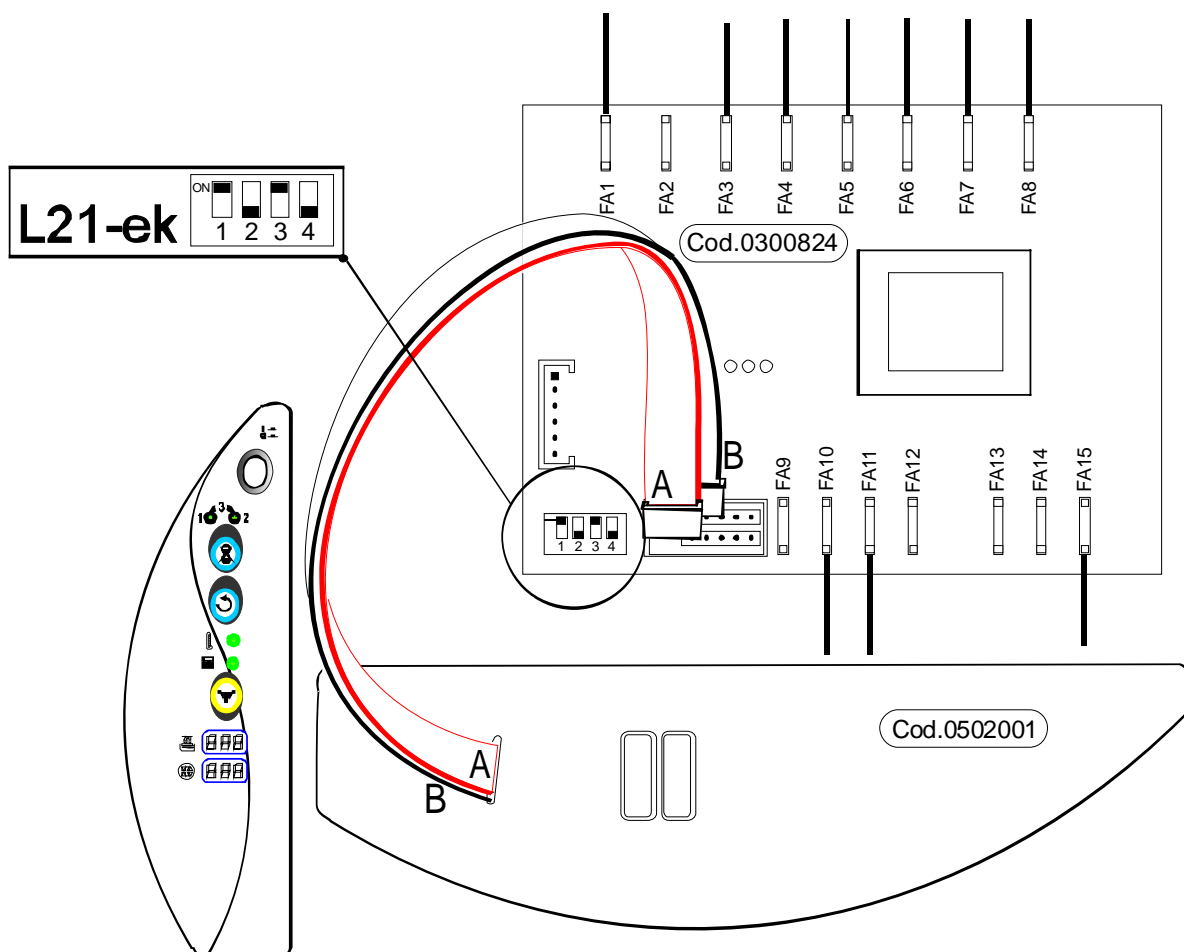
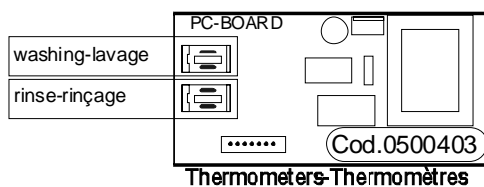
②

**- WASH TIME SELECTION TABLE
- TABLEAU SELECTION TEMPS DE LAVAGE 3**

DIP	LED1=ON	LED2=ON	LED1+2=ON
	60"	120"	180"
	120"	180"	240"

**- RINSE TIME SELECTION TABLE
- TABLEAU SELECTION TEMPS DE RINÇAGE 4**

DIP	
	18"
	23"

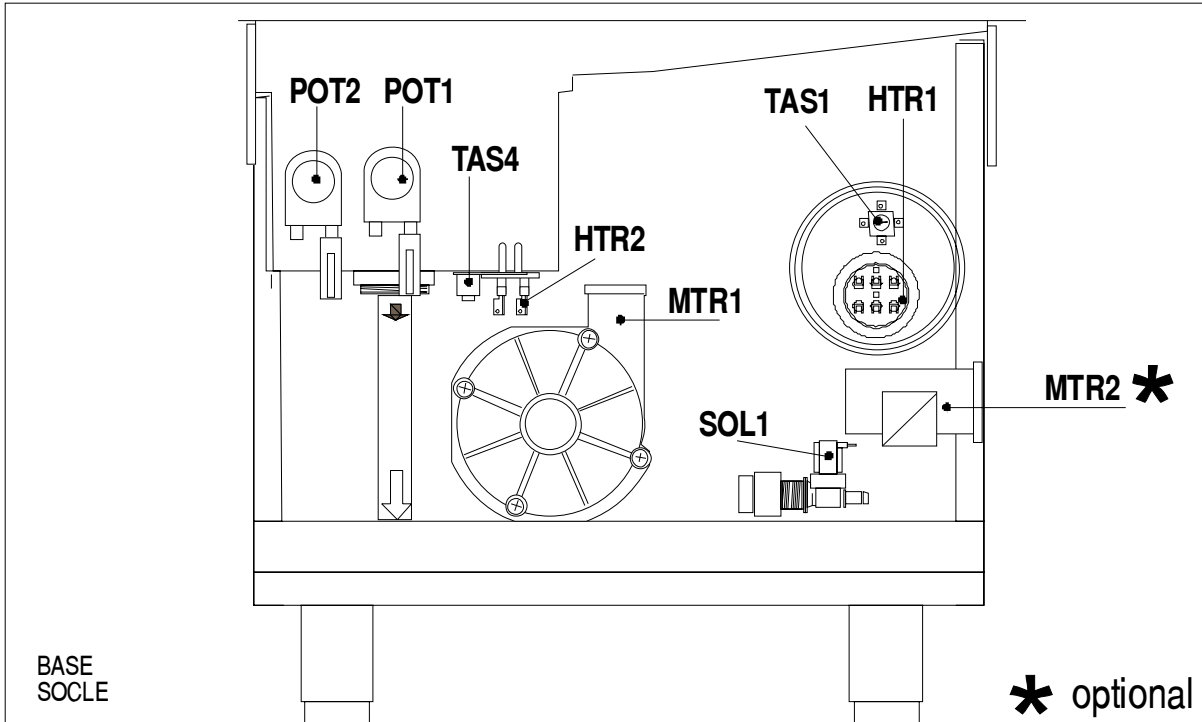
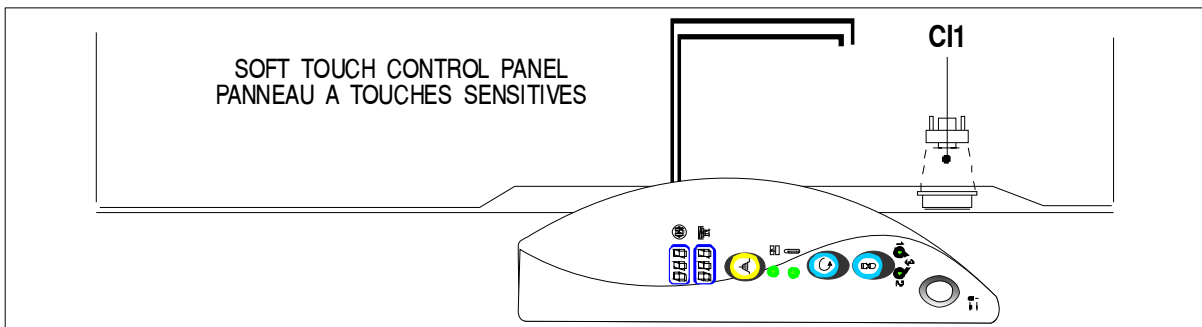
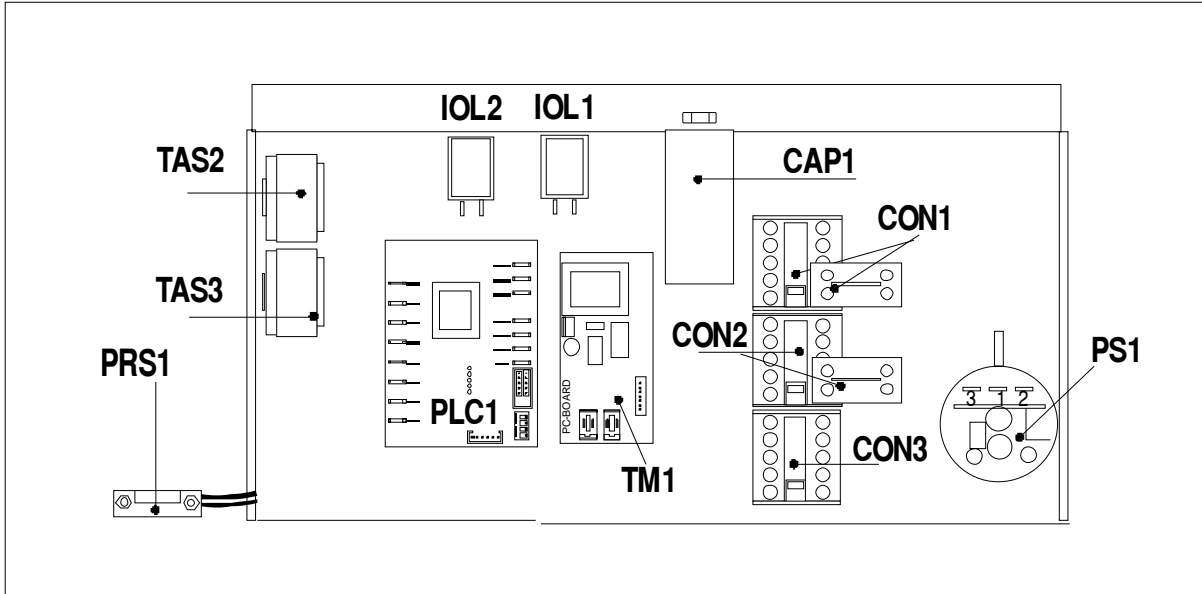


COMPONENTS



COMPOSANTS

L21-ek



BASE
SOCLE

* optional

		L21-ek	
SPECIFICATIONS	DONNEES TECHNIQUES		
DIMENSIONS l x w x h	DIMENSIONS l x p x h	24,40x30,12x57,48	inch
WASHING CAPACITY dishes/H	DEBIT/H assiettes/H	540 ÷ 1080	Nr.
WASH CYCLE	DUREE DU CYCLE	120"-180"-240"	sec.
BASKET SIZE	DIMENSIONS CASIER	19,68 x 19,68	inch
PLATES PER BASKETS	NUM.ASSIETTES POUR CASIER	12÷18	Nr.
WORK HEIGHT	HAUTEUR DU PLAN DE TRAVAIL	33	inch
PLATES CLEARANCE	OUVERTURE DE CHARGEMENT	14,96	inch
VOLTAGE	TENSION D'ALIMENTATION	208/240 V 1ph 60hz	V
ELECTRIC PUMP	ELECTROPOMPE	650	W
WASH TANK ELEMENTS	RESISTANCE CUVE	2000	W
RINSE TANK ELEMENTS	RESISTANCE SURCHAUFFEUR	6000	W
TOTAL RATING	PUISSANCE TOTALE	6650	W
MAX CURRENT INTENSITY	INTENSITE MAXIMALE	29/35	A
TANK CAPACITY	CAPACITE DE LA CUVE	34	Lt
BOILER CAPACITY	CAPACITE DU SURCHAUFFEUR	5	Lt
RINSE AID DISPENSER	DOSEUR DE PRODUIT DE RINCAGE	yes-oui	
INLET WATER CONNECTION	ALIMENTATION EAU ENTREE	55 131	°C °F
PUMP DELIVERY	PORTEE EAU MOTEUR	300	Lt/min.
CYCLE WATER CONSUMPTION	CONSOMMATION EAU PAR CYCLE	2.60	Lt
HOUR WATER CONSUMPTION	CONSOMMATION EAU ORAIRE	58 ÷ 117	Lt
WATER PRESSURE	PRESSION EAU	20 ± 5	psi
WATER HARDNESS	DURETE DE L'EAU	7,2 ÷ 12,5	°f
RINSING WATER TEMPERATURE	TEMPERATURE EAU RINCAGE	82÷90 180÷195	°C °F
WATER INLET	RACCORDEMENT EAU	3/4"	"G
WATER OUTLET	EVACUATION EAU	ø1,26 in - 1" 1/4	"G
NET WEIGHT	POIDS NET	112	kg
GROSS WEIGHT	POIDS LOURD	128	kg
PACKING DIMENSIONS	DIMENSIONS EMBALLAGE	28,74x33,86x59,05	inch
NOISE	NIVEAU DU BRUIT	<63	Db(A)
OPTIONAL	ACCESSOIRES OPTIONAL		
DRAIN PUMP	POMPE DE VIDANGE	30	W