



## **Ice Machine Parts List for Series B0420 Models**

**BR0420A**

**BD0423W**

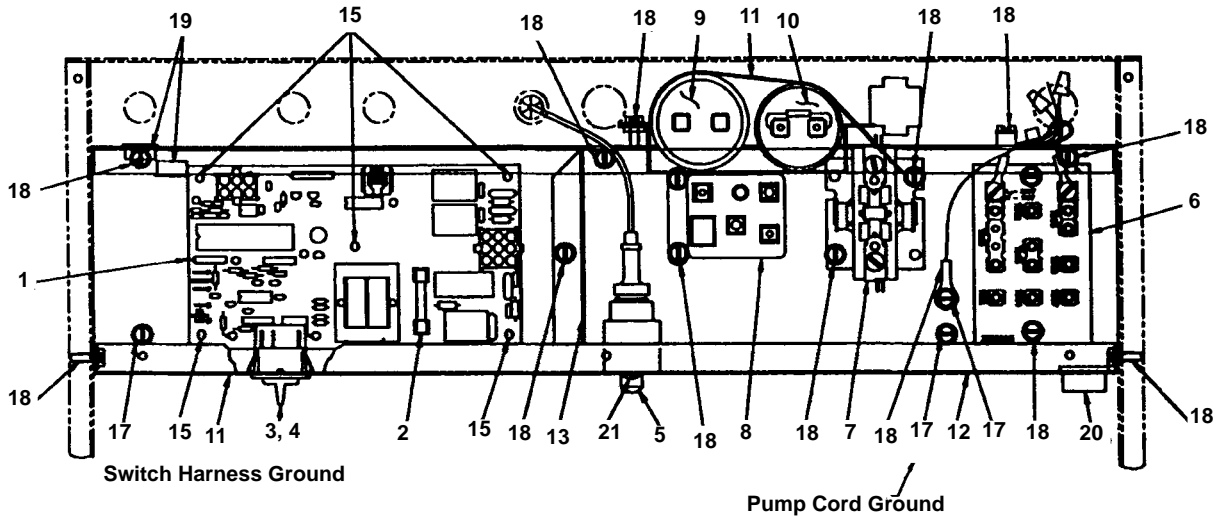
**BR0421W**

**BY0424A**

**BD0422A**

**BY0425W**

## B0420 CONTROL BOX



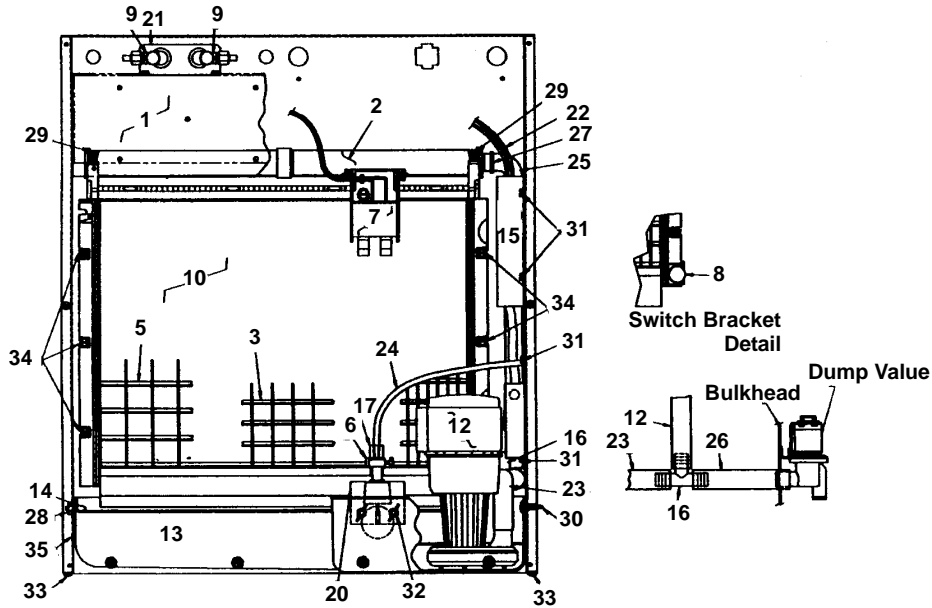
1271

### DESCRIPTION

DESCRIPTION	PART NO.
1 Control Board (For use with all voltages) . . . . .	† 7628003
2 Fuse, 7 Amp . . . . .	2511003
a. Mini-fuse, 0.125 Amp. . . . .	† 2511169
3 Toggle Switch Only . . . . .	2301343
4 Toggle Switch With Wiring Harness . . . . .	† 2031059
5 High Pressure Cut-out . . . . .	† 2355369
6 Terminal Board With Harness . . . . .	2031093
7 Contactor . . . . .	† 2006589
8 Start Relay . . . . .	2007993
9 Run Capacitor . . . . .	† 8503423
10 Start Capacitor . . . . .	8503723
11 Capacitor Bracket . . . . .	No Longer Available
12 Control Box . . . . .	No Longer Available
13 Control Board Cover . . . . .	No Longer Available
14 Control Box Cover With Labels (Not shown) . . . . .	No Longer Available
15 Support for Control Board . . . . .	4302253
16 Ground Lead . . . . .	2077423
17 Screw, #10-24 x 0.50 Ground . . . . .	† 5202169
18 Screw, #10-24 x 0.50 Hex Head . . . . .	† 5202069
19 Bushing - 0.625" . . . . .	† 2500169
20 Bushing - 0.875" . . . . .	† 2501409
21 Screw, #8 x 0.75 Serrated . . . . .	† 5121669

† Refer to Cross Reference Guide

# B0420 EVAPORATOR COMPARTMENT



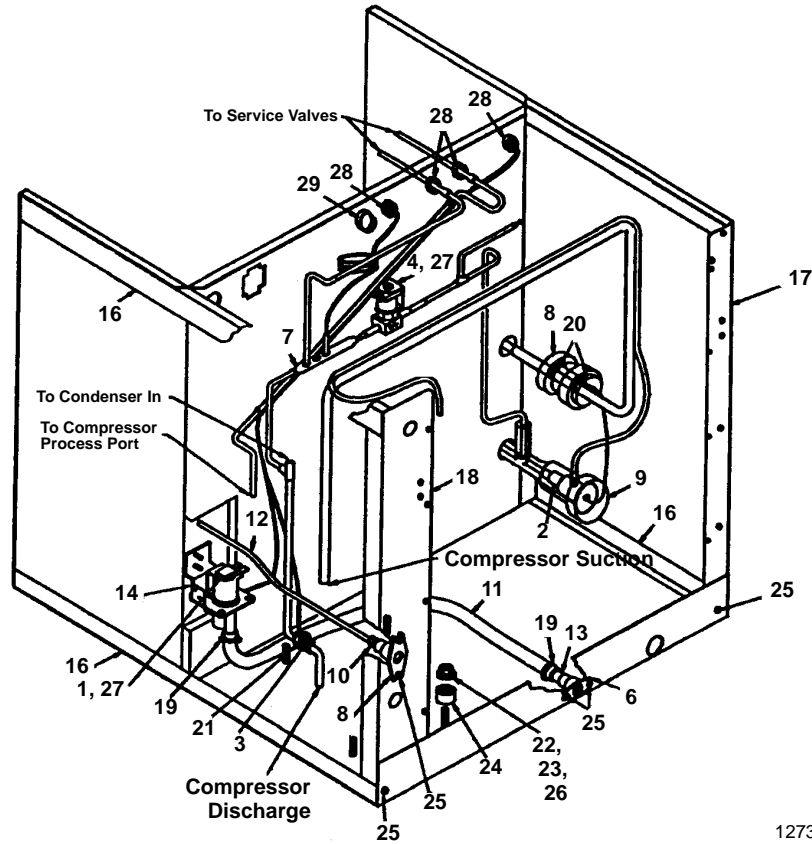
1272

## DESCRIPTION

	<b>PART NO.</b>
1 Control Box Cover	No Longer Available
2 Distribution Tube Assembly	† 7624983
3 Evaporator Assembly, Dice Cube	† 7625119
4 Evaporator Assembly, Half Dice Cube	† 7625109
5 Evaporator Assembly, Regular Cube	† 7625129
6 Float Valve Complete Assembly	† 8369049
7 Ice Thickness Control	† 7627813
8 Magnetic Switch With Housing	† 2301483
9 Process Valve With Stem	† 8373109
10 Water Curtain Assembly	† 4304643
a. Water Curtain Hanger	7627763
b. Water Curtain Magnet and Clip	† 7628023
11 Water Flow Clamp (Regular cube only)	7620543
12 Water Pump, 115V/60 Hz	† 7623063
13 Water Trough	6002451
14 Water Trough Support Pin	† 4302019
15 Pump Cord Channel	No Longer Available
16 Barbed Tee	8391033
17 Compression Nut	† 5650729
18 Float Valve Screen Only	† 8369069
19 Float Valve Plunger Only	† 8369089
20 Mounting Bracket for Float Valve	000000136
21 Service Valve Bracket	No Longer Available
22 Water Pump Lead	† 2078103
23 Tubing, Vinyl 0.625 ID (Pump to tee)	† 4421013
24 Tubing, Vinyl 0.25 OD (Incoming fresh water)	4420291
25 Tubing, Vinyl 0.625 ID With Elbow	† 4421053
26 Tubing, Vinyl 0.625 ID (Tee to dump valve)	† 4420383
27 Hose Clamp	† 5650709
28 Hex Nut, Nylon	† 5429459
29 Screw, Nylon, Thumb #8-32 x 0.63	† 5000013
30 Screw, Push-in Thumbscrew	† 5012279
31 Screw, #10-24 x 0.50	† 5202069
32 Wing Nut #8-32	† 5489139
33 Screw, #10-24 x 0.625	† 5202079
34 Screw to Mount Evaporator	† 5202189
35 Splash Shield	No Longer Available
36 Evaporator Gasket/Top Molding Assembly (Not shown)	7626213

† Refer to Cross Reference Guide

# B0420 COMMON COMPRESSOR COMPARTMENT PARTS

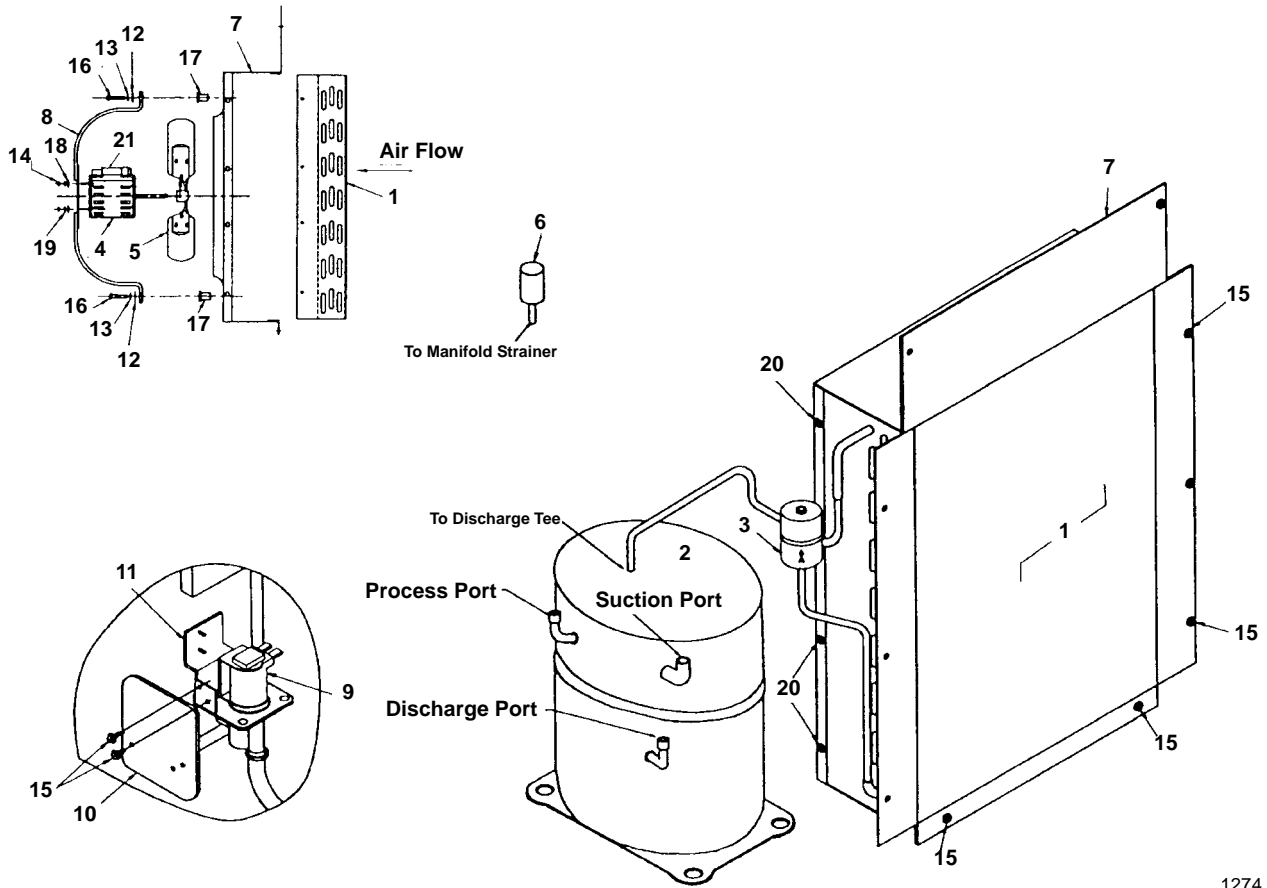


## DESCRIPTION

DESCRIPTION	PART NO.
1 Dump Valve, 115V	000001767
2 Expansion Valve	† 7625083
3 NTC Thermistor	2351163
4 Solenoid Valve 115V/60 Hz (Danfoss)	† 7630011
5 Adapter, Water Inlet	† 8706093
6 Water Outlet Adapter	1706021
7 Manifold Strainer	8310163
8 Neoprene Bulb Boot	4007203
9 Neoprene TXV Boot	4007213
10 Union, Water Inlet	1360961
11 Vinyl Tube, 0.625 ID (White preformed)	No Longer Available
12 Vinyl Tube, 0.25 OD (incoming fresh water)	4420291
13 Tube, Copper Drain	110481
14 Dump Valve Mounting Bracket	6002611
15 Dump Valve Shield (Air only)	† 7000623
16 Side Frame Angle	No Longer Available
17 LH Corner Post Weldment	No Longer Available
18 RH Corner Post Weldment	No Longer Available
19 Clamp, Plastic Drain	† 5650709
20 Clamp, Worm Drive Hex Head	† 5650529
21 Clamp, Worm Gear	5650773
22 Sleeve	† 8503949
23 Nut - Hex 0.375	† 5430029
24 Rubber Grommet	† 8503069
25 Screw, #10-24 x 0.5	† 5202069
26 Washer, Flat 0.312	† 5573099
27 Danfoss Coil Only	000005156
27 Alco Coil Only	2404363
28 Bushing, 0.625 ID	† 2500169
29 Bushing, 0.875 ID	† 2501409

† Refer to Cross Reference Guide

# B0420 AIR-COOLED



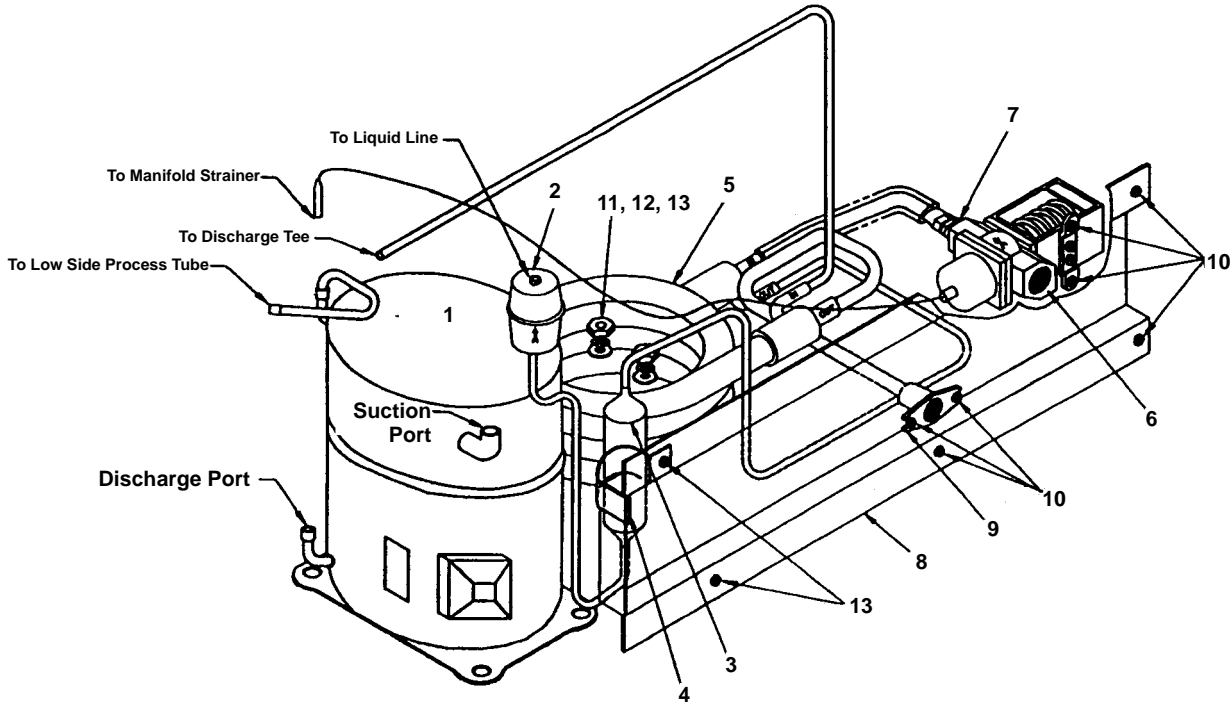
1274

## DESCRIPTION

	<b>PART NO.</b>
1 Air Condenser . . . . .	No Longer Available
2 Compressor Assembly, 115V/60 Hz. . . . .	† 7628103
a. Overload Protector for Tecumseh AK9458J . . . . .	8504293
b. Overload Protector for Tecumseh AK170AT039A4D . . . . .	8505553
3 Drier . . . . .	† 8930259
4 Fan Motor. . . . .	† 2412929
5 Fan Blade. . . . .	2416203
6 Fan Cycling Control . . . . .	† 2001263
7 Fan Shroud . . . . .	No Longer Available
8 Wire Motor Mount. . . . .	3406623
9 Dump Valve 115V. . . . .	000001767
10 Water Solenoid Shield . . . . .	† 7000623
11 Bracket for Dump Valve . . . . .	6002611
12 Flatwasher 0.25 . . . . .	† 5573059
13 Lockwasher 0.25 Split . . . . .	† 5545109
14 Nut 0.25-20 . . . . .	† 5429069
15 Screw, #10-24 x 0.50 . . . . .	† 5202069
16 Screw, 1/4 x 1.75 . . . . .	† 5033589
17 Well Nut 0.25-20 . . . . .	† 5429559
18 Flatwasher . . . . .	† 5504269
19 Lockwasher #8. . . . .	† 5544599
20 Screw, #10-24 x 0.625 . . . . .	† 5202059
21 Capacitor for Fan Motor . . . . .	8504583
22 Air Filter (Not shown) . . . . .	4040023
23 Air Filter Bracket (Not shown) . . . . .	† 7626863

† Refer to Cross Reference Guide

# B0420 WATER-COOLED

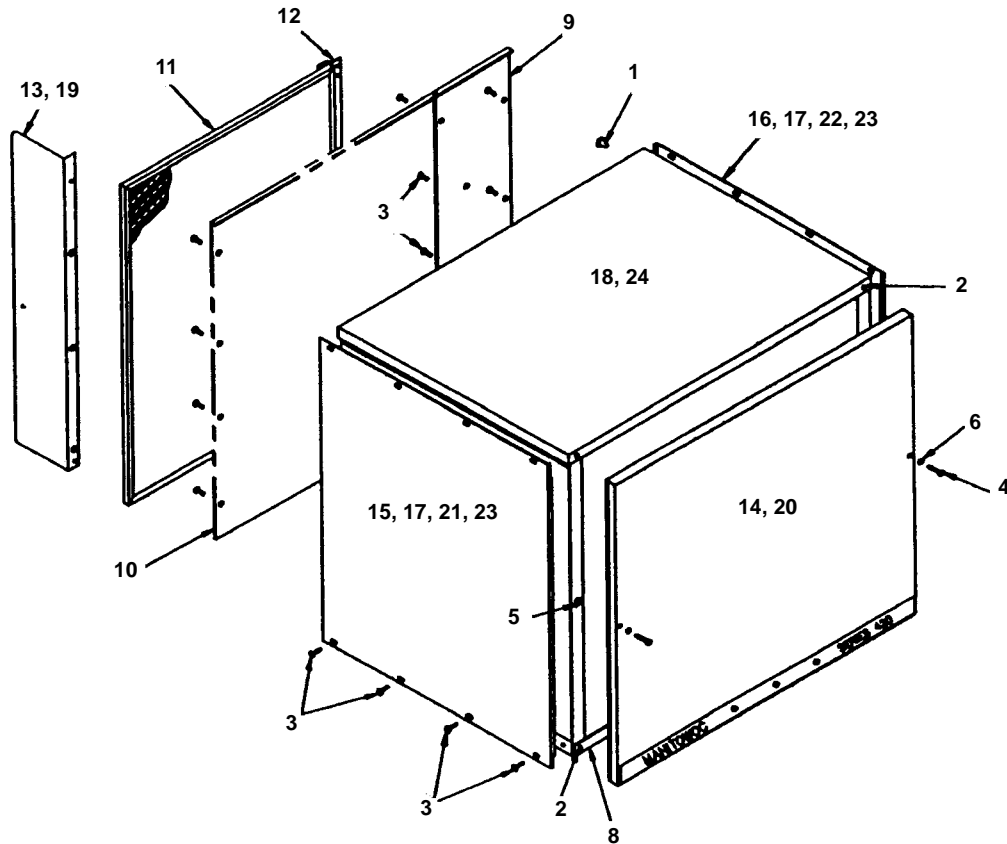


1275

## DESCRIPTION

		<b>PART NO.</b>
1	Compressor 115V/60 Hz. . . . .	† 7628103
	a. Overload Protector for Tecumseh AK9458J . . . . .	8504293
	b. Overload Protector for Tecumseh AK170AT039A4D. . . . .	8505553
2	Drier . . . . .	† 8930259
3	Receiver . . . . .	000008892
4	Receiver Strap . . . . .	No Longer Available
5	Water Condenser . . . . .	† 8865323
6	Water Regulating Valve . . . . .	† 8372069
7	Coupling . . . . .	8332033
8	Bracket - Receiver Valve Mounting. . . . .	No Longer Available
9	Female Wing Adapter, Condenser Drain . . . . .	No Longer Available
10	Screw, #10-24 x 0.50 . . . . .	† 5202069
11	Flatwasher 0.312 . . . . .	† 5573099
12	Lockwasher 0.38 Split. . . . .	† 5545149
13	Nut - 0.375 Hex. . . . .	† 5430029

## B0420 PANELS



1276

### COMMON

	<b>PART NO.</b>
1 Canoe Clip Fastener .....	No Longer Available
2 Screw, #10-24 x 0.50 Flat .....	† 5202099
3 Screw, #10-24 x 0.50 Hex .....	† 5202069
4 Screw, #8-32 x 1.25 .....	† 5026689
5 Threaded Insert .....	5768653
6 "O" Ring .....	† 3718199
7 Extruded Tape Gasket .....	† 9202509
8 Front Support .....	No Longer Available
9 Back Panel, Air .....	No Longer Available
10 Back Panel, Water .....	No Longer Available
11 Air Filter .....	4040023
12 Filter Bracket .....	† 7626863

### FAWN

13 Air Baffle .....	No Longer Available
14 Front Panel Assembly .....	No Longer Available
15 LH Side Panel, Air .....	No Longer Available
16 RH Side Panel, Air .....	No Longer Available
17 Side Panel, Water .....	No Longer Available
18 Top Cover .....	No Longer Available

### STAINLESS STEEL

19 Air Baffle .....	No Longer Available
20 Front Panel Assembly .....	No Longer Available
21 LH Side Panel, Air .....	No Longer Available
22 RH Side Panel, Air .....	No Longer Available
23 Side Panel, Water .....	No Longer Available
24 Top Cover .....	No Longer Available

† Refer to Cross Reference Guide

## B420 ELECTRICAL APPLICATIONS

All parts are the same as 115V Model with the following exceptions:

### 230V/50/1

	<b>PART NO.</b>
Compressor 230/50/1 . . . . .	† 7628113
Overload Protector for Tecumseh AK9458J . . . . .	No Longer Available
Overload Protector for Tecumseh AK170JT039A4D . . . . .	8505573
Start Relay . . . . .	8504483
Run Capacitor . . . . .	8504003
Start Capacitor . . . . .	8503723
Contactors . . . . .	† 2006599
Water Pump . . . . .	† 7626013
Fan Motor . . . . .	† 2412939
Dump Valve, 208-230V . . . . .	000001768
Solenoid Valve 208-230V/50-60 Hz (Danfoss) . . . . .	† 7630071
0.1 Amp Mini-fuse On Control Board . . . . .	2511053
7 Amp Fuse On Control Board . . . . .	2511003

### 208V230V/60/1

	<b>PART NO.</b>
Compressor Assembly . . . . .	† 7628123
Overload Protector for Tecumseh AK9458J . . . . .	No Longer Available
Overload Protector for Tecumseh AK170ET039A4D . . . . .	8505563
Start Relay . . . . .	8504553
Run Capacitor . . . . .	8504003
Start Capacitor . . . . .	8503723
Water Pump Assembly . . . . .	† 7626013
Solenoid Valve 208-230V/50-60 Hz (Danfoss) . . . . .	† 7630071
Dump Valve, 208-230V . . . . .	000001768
Fan Motor . . . . .	† 2412939
Contactors . . . . .	† 2006599
0.1 Amp Mini-fuse On Control Board . . . . .	2511053
7 Amp Fuse On Control Board . . . . .	2511003

---

† Refer to Cross Reference Guide