



Model 136 & 138 Portion Control Tower

136FDAX

136EDA

136EDAX

136LDA

136LDAX

136FDP

136FDPX

136PDP

138FDAX

138EDA

138EDAX

138EDA2

138LDA

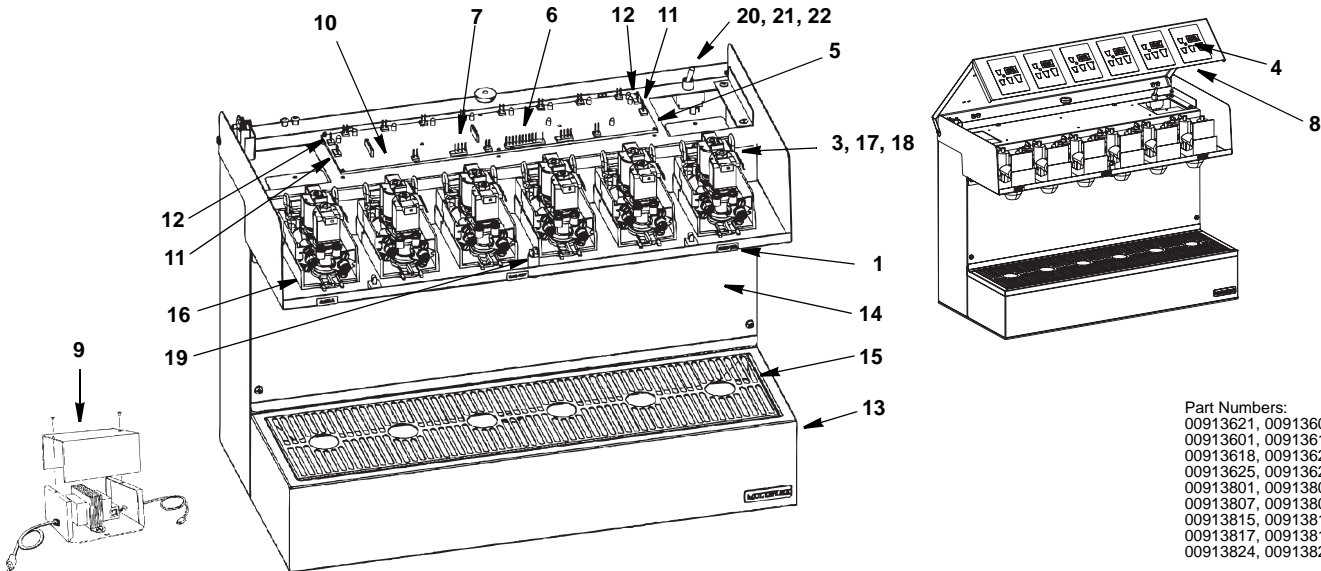
138LDAX

138FDP

138FDPX

138PDP

136 & 138 PORTION CONTROL TOWER BASE PARTS

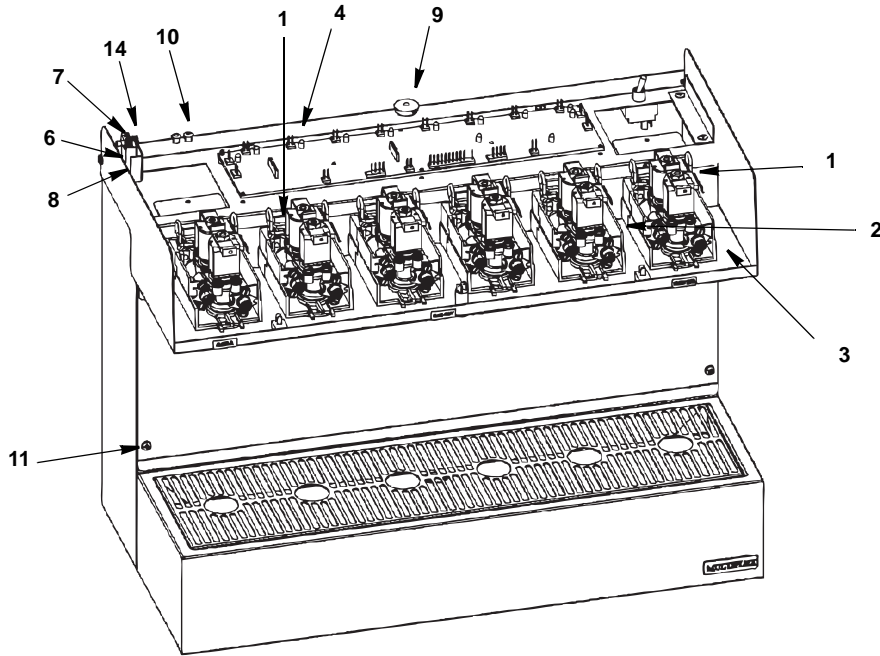


Part Numbers:
 00913621, 00913600
 00913601, 00913616
 00913618, 00913624
 00913625, 00913621
 00913801, 00913802
 00913807, 00913800
 00913815, 00913816
 00913817, 00913818
 00913824, 00913825

DESCRIPTION

	PART NO.
1 Switch - Single Pole Single Throw Momentary Rocker	00206459
2 Cup Lid Holder	
a. Kit, Wave Style (not shown)	00218755
b. Assembly, Position, Adjustable (not shown)	00210908
3 Solenoid Harness	
a. MPC848 to Flomatic Valve, Model FDA/FDAX Towers only	00218944
b. Leopard & Lancer Volumetric Valves, Power to Valves	00258090
4 Keypads	
a. 6 Valve 4-Size General Line	00213302
b. 8 Valve 4-Size General Line	00216190
c. Leopard Valve 4 Size portion control	020004114
d. Lancer Volumetric 4-Size	020003786
5 Standoff, 1/2" High Snap-In 0.156" Hole	00213441
6 Harness, Model MPC64A Keyboard, 12-Pin, General Line, 20"	00213866
7 Harness, Model MPC64A Keyboard, 5-Pin, General line, 20"	00213867
8 Harness Keypad Extension	
a. Leopard Valve	020002743
b. Lancer Volumetric Valve	00219728
9 Transformer Assembly	
a. Single 120/24 VAC, 60 Hz, 75 VA, Reset 24FC	00214128
b. Single 220/24 VAC, 50/60 Hz, 75 VA, with Reset	CE217314
c. Dual 240/24 50/60 HZ 75VA W/Circuit Breaker	CE214165
10 Control Board	
a. MPC84C 8-12 Station 5-Size	020000313
b. 622 4-Flavors Or 4-Stations "Piggy Back"	020000314
11 Harness, Power, Model MPC84B on 6+2+2 Tower	00218465
12 Harness, Water/Soda Switch to 2-Pin Connect Point	00218466
13 Drain Pan Assembly	
a. 1 1/2" x 24" Modular (Model CDA/CDAX Towers only)	00218646
b. 3" x 24" Modular (Model FDA/FDAX and LDA/LDAX Towers only)	00218645
c. 4 1/2" x 24" Modular (Model EDA/EDAX and EDA2 Towers only)	00218647
14 Splash Panel	
a. Splash Plate, Model 138 with 3" Drain Pan, Model FDA/FDAX/PDP/PDPX Towers only	00219019
b. Panel, Access/Splash for 1 1/2" Tall Drain (Model CDA/CDAX Towers only)	00218420
c. Panel, Access/Splash for 3" Tall Drain (Model LDA/LDAX Towers only)	00218661
d. Panel, Access/Splash for 4 1/2" Tall Drain (Model EDA/EDAX and EDA2 Towers only)	00218660
15 Cup Support	
a. 6 Station Punched	00218946
b. 8 Station Punched -14" x 6" x 1",	00218438
16 Valve Assemblies	
a. Dole FFV 3.0 oz/sec	00557500
b. Flomatic 424 with Single Solenoid	00218938
c. Lancer without Cover without Soda Lever	00211779
d. Cornelius Leopard Volumetric	020002399
e. Lancer Lever 4.5 oz/sec	00218051
f. UF-1 4_5 oz/sec (Model CDA/CDAX Towers only)	00217339
g. Dual Flavor (Model EDA2 Towers only) Auxiliary Syrup Valve	00217602
h. Lancer Volumetric Valve	00219595
17 Line Assembly, 1/4"xEVA x 3/8" o-ring EI x Raw x 32"	00749903
18 Line Assembly, 1/4" EVA x 3/8" o-ring x Raw End x 16"	00749906
19 Lamp Assembly, Low CO2 Indicator, 24 VAC	00800810
20 Connector, Wire, P72 Blue Barrel Type	00804104
21 Switch, Double Pole Single Throw Toggle, 6 Amp, 125 VAC	00804426
22 Cord Assembly, 18-2 SP-1, 24" Pin Plug x 1/4" QC and Strip	00809132

136 & 138 PORTION CONTROL TOWER BASE PARTS



Part Numbers:
 00913621, 00913600
 00913601, 00913616
 00913618, 00913624
 00913625, 00913621
 00913801, 00913802
 00913807, 00913800
 00913815, 00913816
 00913817, 00913818
 00913824, 00913825

DESCRIPTION

DESCRIPTION	PART NO.
1 Dual Solenoid Valve Assemblies	
a. Flomatic 424 with Dual Solenoid	00218939
b. Lancer LEV with Dual Solenoid Fast Flow	00214300
2 Block Assembly	
3 Flomatic *QD* Mounting)	00218077
4 Control to Solenoid	00213145
Miscellaneous - Brackets, Screw, etc.	
5 CORD ASSY 18-2 SP-1 24 (not shown)	00809132
6 Bracket, Stop lid Holder	00218744
7 Bracket, Stop Pivot	00218745
8 Bracket, Stop lid Holder Valve Adjust	00218753
9 Plug, Button 0.875" Diameter Hole, Black Nylon #2703	00805805
10 Plug, Button for 1/4" Diameter Hole, Black Nylon	00805817
11 Screw, #10-32 x 1/4" Phillips Pan Head, Stainless Steel	00850622
12 Screw, #10-32 x 1/4" Sltd Round Head Machine) Stainless Steel	00850666
13 Nut, #6-32 Hex with Lock Washer Plated (not shown)	00850701
14 Screw, #10-32 x 1/2" Knurled Thumb, Nickel	00856706