



Model 156 Pass-Thru Dispensing Tower Parts

156EDRA1

156EDL

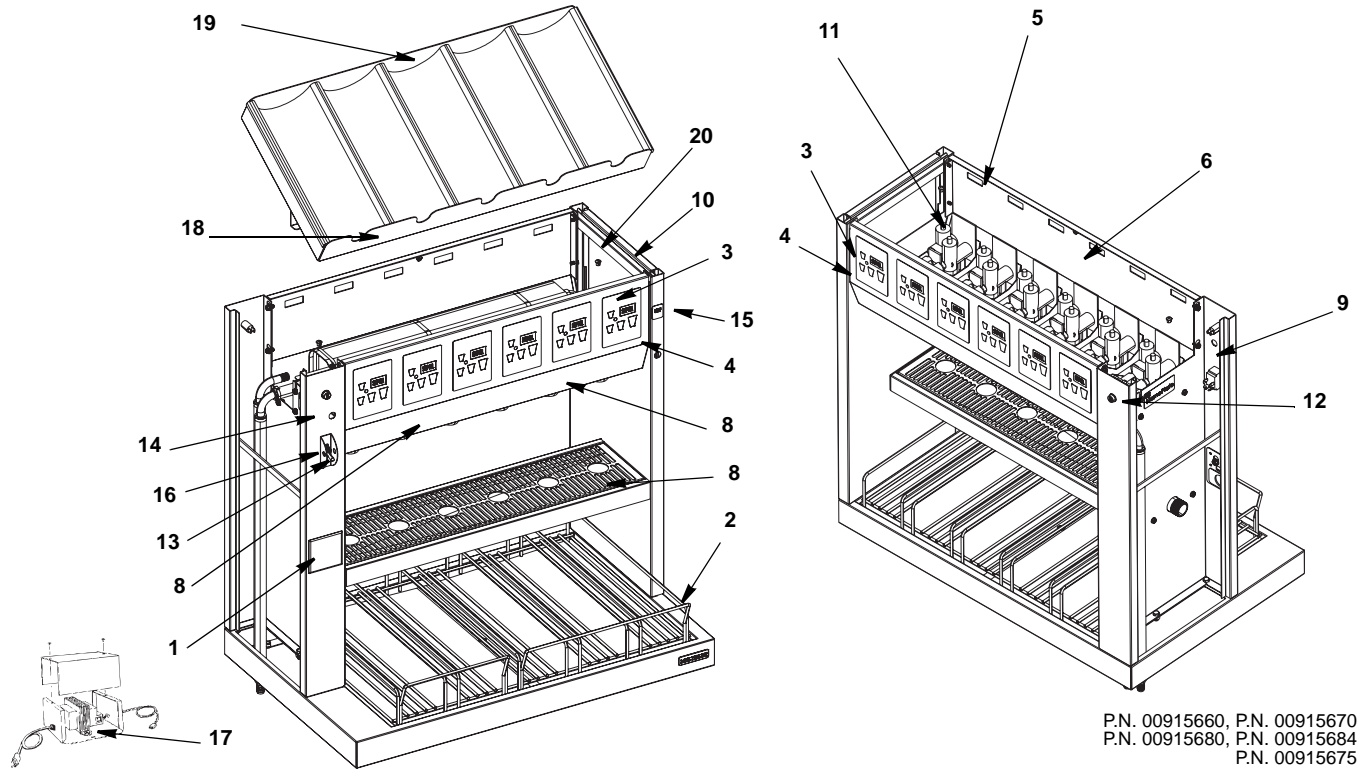
156FDLAX

156PDP

156PDPX

156FDAX

156 PASS-THRU TOWER



P.N. 00915660, P.N. 00915670,
P.N. 00915680, P.N. 00915684,
P.N. 00915675,

DESCRIPTION

1	Plate, Valve Hole Cover for FFV 10J Valve Cup Lid Holder	00206652
2	Rack Assembly, 32 oz cup, Lower Pass-Thru Tower	00209689
3	Keypad	
	a. 6 Valve 4-Size	00213299
	b. Leopard Valve 4 size portion control	020003446
4	Harness	
	a. Extension 8" Leopard vlv keypad	020002743
	b. Connector PCB 2 into 1 Leopard Valve	020002760
5	Standoff, 3/16" High Snap-In 0.156" Hole	00216424
6	Control Board, Model MPC84C 8-12 Station 5-Size	020000313
7	Cup Support, Model 156 Pass-Thru Tower	00218737
8	Door Assembly, Valve Access for Model 156 Pass-Thru Tower	00218865
9	Panel, Side Service Access for Model 156 Pass-Thru Tower	00218891
10	Cover, Top Access for Model 156 Pass-Thru Tower	00218892
11	Valve Assemblies	
	a. Dole FFV 3.0 oz/sec	00557500
	b. Valve Cornelius Leopard Volumetric	020002399
	c. Flomatic 424 Portion Control Valve	424-CF-P37-1500
	d. Flomatic 464 Portion Control Valve	464-GP-P36
12	Lamp Assembly, Low CO2 Indicator, 24 VAC	00800810
13	Switch, Double Pole Single Throw Toggle, 6 Amp, 125 VAC	00804426
14	Switch, Single Pole Single Throw, MOM, White Button, Water	00804430
15	Switch, Single Pole Single Throw, MOM, Black Button, Soda	00804431
16	Guard, Switch	00804434
17	Transformer Assembly	
	a. 120/24 VAC, 60 Hz, 75 VA, Reset 24FC	00214128
	b. 220/24 VAC, 50/60 Hz, 75 VA, with Reset	CE217314
18	Pan, Cup Lid Tray Holder, Stainless Steel	00212759
19	Tray, Plastic 5 Section Lid Holder	00213992
	Miscellaneous - Brackets, Screw, etc.	
20	Plug, Button for 1/4" Diameter Hole Black Nylon	00805817
21	Cord Assembly, 18-2, SP-I, 6" Female Plug x Male Plug	00212282
22	Harness, Control to Solenoid	00213145
23	Harness, Control to Solenoids	00213146
24	Cord Assembly, 18 AWG, SP-I, 48" Large Conn x Female x 1/2" Strip	00213401
25	Harness, Model MPC64A Dual Keyboard, 12 Pin	00213460
26	Harness, Model MPC64A Dual Keyboard, 5 Pin	00213461
27	Harness, Model MPC64A Power	00213837
28	Harness Power to Valves (Model 156PDP/PDPX)	00258090
29	Harness, Water/Soda Switch to 2 Pin Connection Point	00213145
30	Cord Assembly, 2.0-.2 Parallel Cable, 44 in-'I" Recp x Str	00809507
31	Label, Calibration Instructions for Model MPC84B Keyboard (not shown)	00218510
32	Kit, Flavor Label, .0.68" x 2.5.0.", Coke Products (not shown)	00214816
33	Label, Wiring Diagram for Model 156 Non-electronic Valves (not shown)	00219178
34	Splash Guard for Flomatic Valve 156 Tower	020003000
35	Label, Wiring Diagram for model 156 Leopard Valves	020002745