



MARKET FORGE

1200 ELECTRIC COUNTERTOP TILTING SKILLET PARTS AND SERVICE MANUAL

EFFECTIVE SEPTEMBER 22, 2014

Superseding All Previous Parts Lists.

The Company reserves the right to make substitution in the event that items specified are not available.

ERRORS: Descriptive and/or typographic errors are subject to correction.

MARKET FORGE

Telephone: (802) 658-6600 Fax: (802) 860-3732

www.marketforge.com

P/N 14-0388 Rev A (9/14)

TABLE OF CONTENTS

TROUBLESHOOTING.....	2
WIRING DIAGRAM.....	3
ILLUSTRATED PARTS LIST	4

TROUBLESHOOTING

UNIT WILL NOT OPERATE:

1. Power supply not in "ON" position.
2. Defective "THERMOSTAT" or "ELEMENTS".

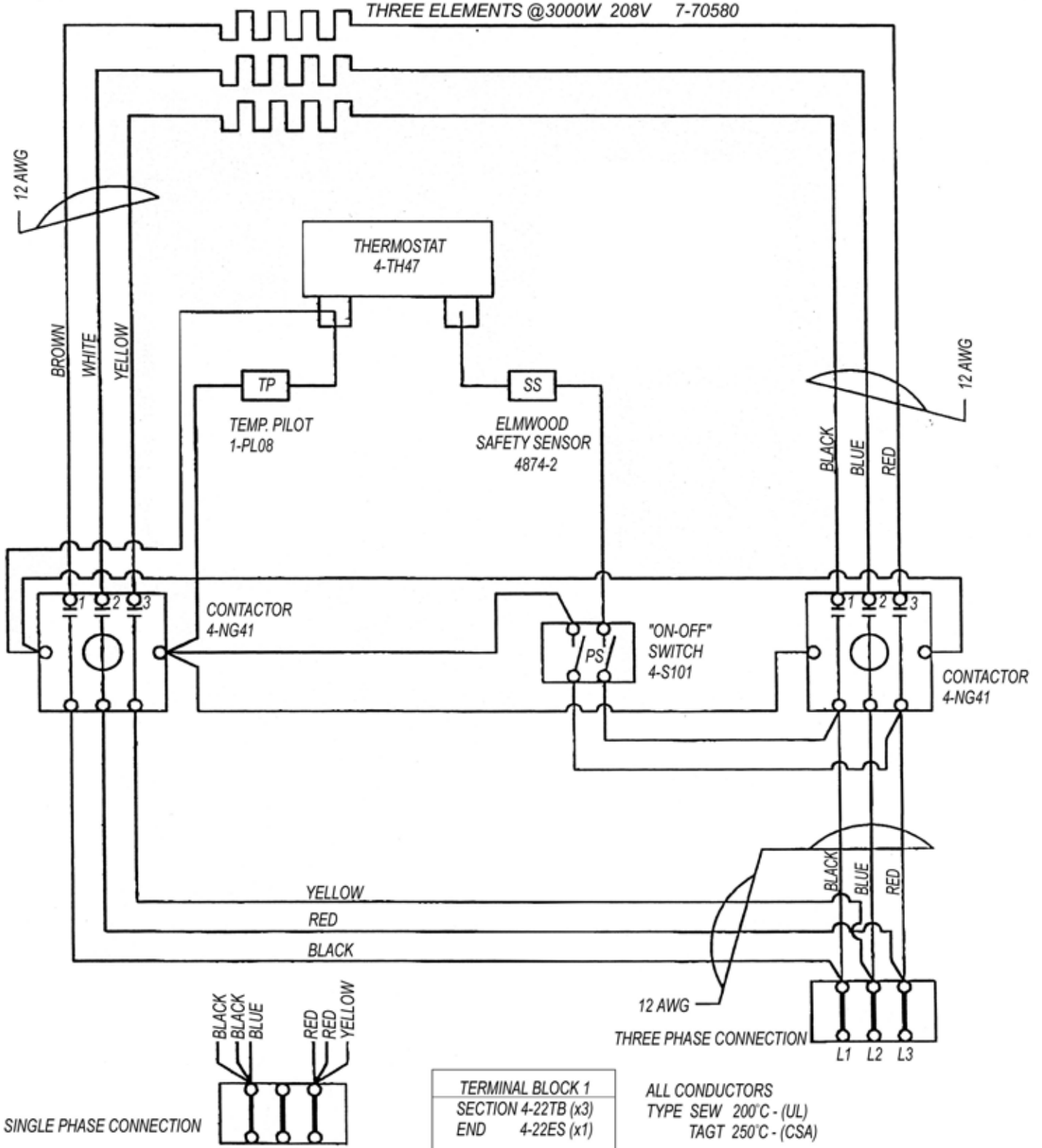
PAN DIFFICULT TO OPERATE:

1. Tilt Know not disengages.
2. Dirt in oilite bearings causing it to bind.

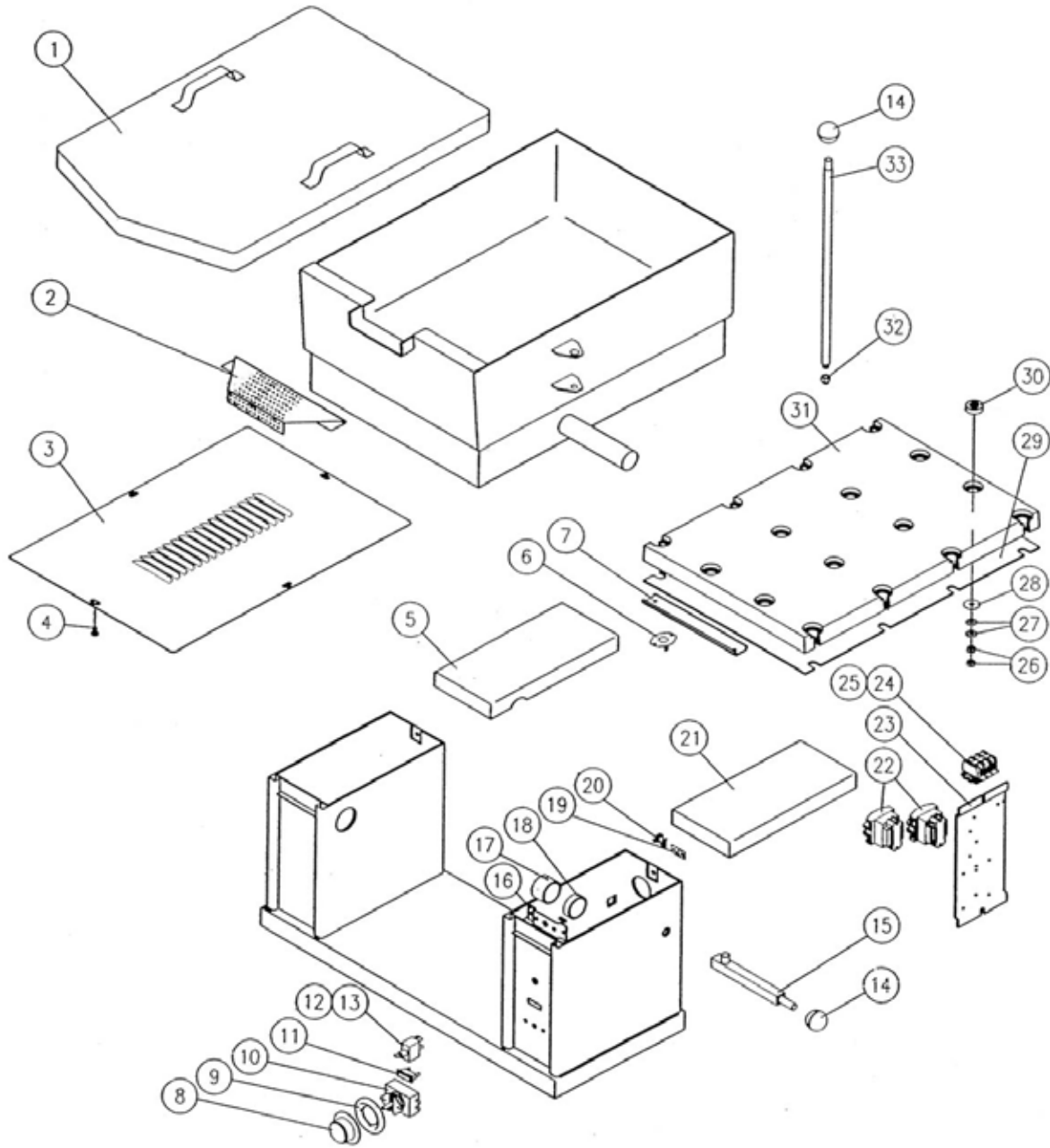
NOTE: Never grease or oil the pivot bearings as this may cause problems with tilting. Bearings are oilite and never require lubrication.

WIRING DIAGRAM

THREE ELEMENTS @ 3000W 208V 7-70580



ILLUSTRATED PARTS LIST



ITEM	PART NO.	DESCRIPTION	QTY.
1	97-5756	LIFT OFF COVER	1
2	97-5850	STRAINER	1
3	97-5777	BOTTOM COVER	1
4	97-5736	SCREW 10-32 x 1/2	4
5	97-5754	CONSOLE COVER	1
6	97-5789	HI-LIMIT	1
7	97-5769	THERMOSTAT BULB CLAMP	1
8	97-5786	DIAL (F)	1
	97-5787	DIAL (C)	1
9	97-5012	BEZEL	1

ILLUSTRATED PARTS LIST

ITEM	PART NO.	DESCRIPTION	QTY.
10	97-5107	THERMOSTAT	1
11	97-5419	PILOT LIGHT	1
12	97-5011	POWER SWITCH	1
13	97-5558	RUBBER BOOT	1
14	97-5337	KNOB	2
15	97-5772	REST BAR	1
16	97-5779	THERMOSTAT MOUNTING BRACKET	1
17	97-5846	BRONZE BUSHING	1
	97-5623	BUSHING HOUSING	1
18	97-5650	BUSHING	1
	97-5623	BUSHING HOUSING	1
19	97-5848	EARTH ID TAG	1
20	97-5052	GROUND LUG	1
21	97-5755	CONSOLE COVER	1
22	97-5753	CONTACTOR 208, 240, 480 V	2
	NPN	CONTACTOR 380, 416, 220/380, 240/416 V	1
23	97-5849	COMPONENT MOUNTING PLATE	1
24	10-6963	TERMINAL BLOCK	3
	10-6963	TERMINAL BLOCK 240/416, 220/380 V	4
25	10-6962	END SECTION	1
26	97-5739	HEX NUT 5/16 – 18	32
27	97-5863	BELLVILLE WASHER	32
28	97-5867	FLAT WASHER 5/16 x 1" OD	16
29	97-5835	INSULATION	1
30	97-5764	SPACER	16
31	97-5041	ELEMENT BLOCK 208 V, 9 kW	1
	97-5043	ELEMENT BLOCK 240 V, 9 kW	1
	97-5839	ELEMENT BLOCK 220/380 V	1
	97-5840	ELEMENT BLOCK 480 V	1
	97-5841	ELEMENT BLOCK 230 V	1
32	97-5116	ACORN NUT	1
33	97-5763	TILT HANDLE	1
*	97-5616	TRANSFORMER 416 V	1
	97-5612	TRANSFORMER 380 V	1
	97-5613	TRANSFORMER 480 V	1
*	97-5795	FUSE (1 AMP, 600 V), 380, 416, 480 V)	2
*	97-5359	FUSE HOLDER (380, 416, 480 V)	2
*	97-5771	FAUCET BRACKET (OPTIONAL)	1

* Accessory ** Welded-In