



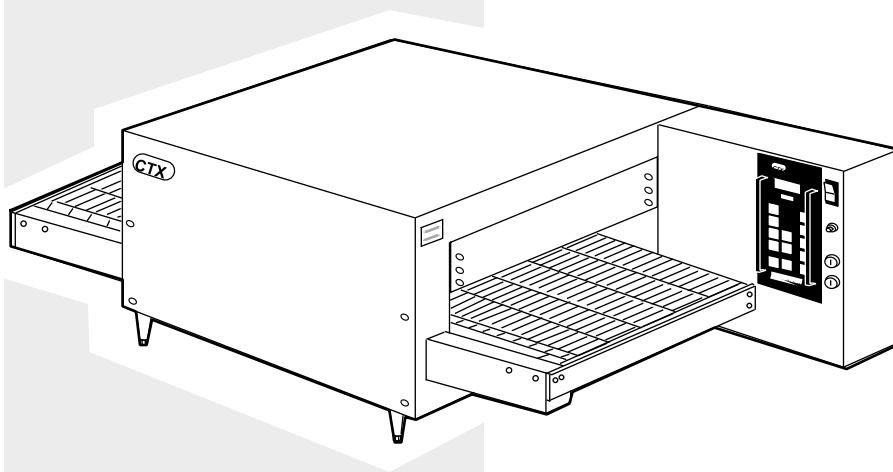
# *parts manual*

## **MODEL G-26 INFRARED CONVEYOR OVEN**

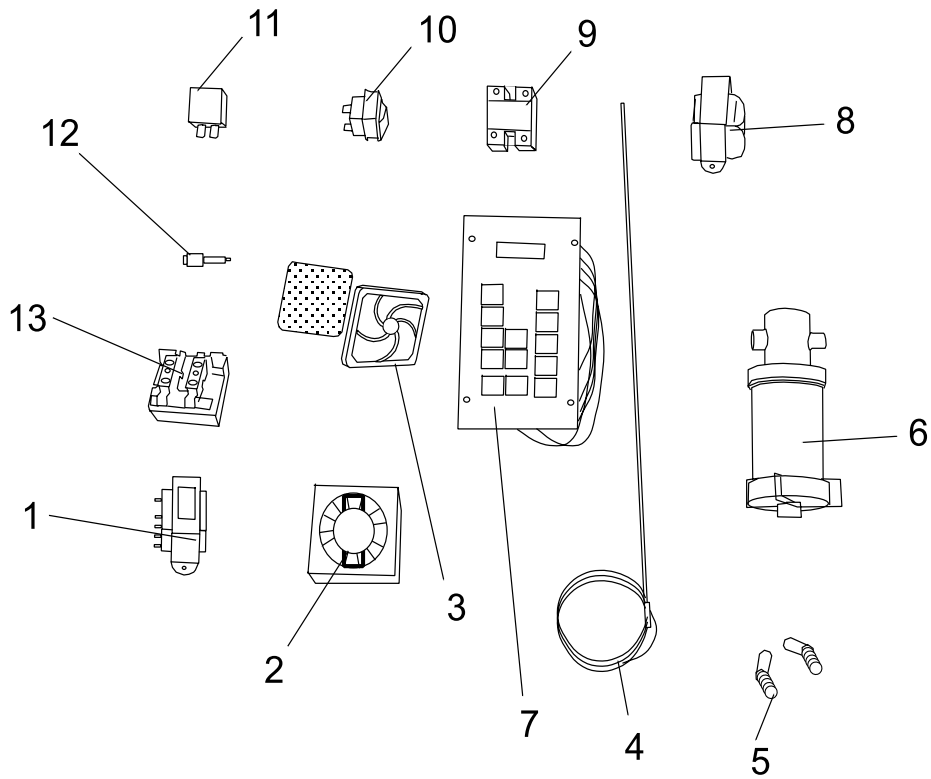
### **CONTENTS**

*page*

KEY SPARE PARTS KIT .....	2
HEATING ELEMENTS AND THERMOCOUPLES .....	3
BODY COMPONENTS .....	4-5
ELECTRICAL COMPONENTS .....	6-7

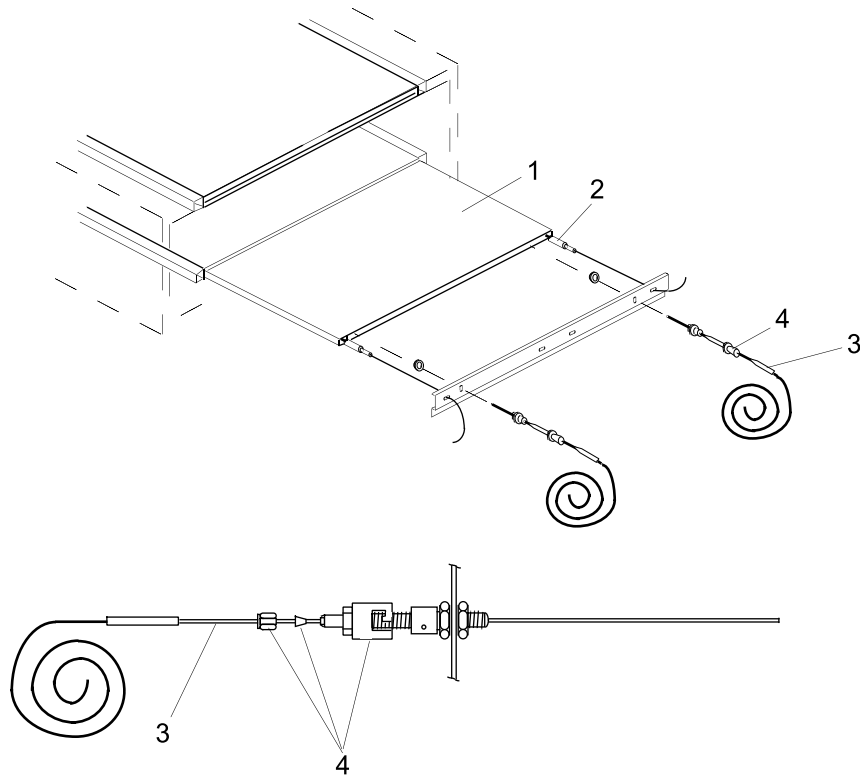


## Key Spare Parts Kit (Kit P/N ACSKG26)

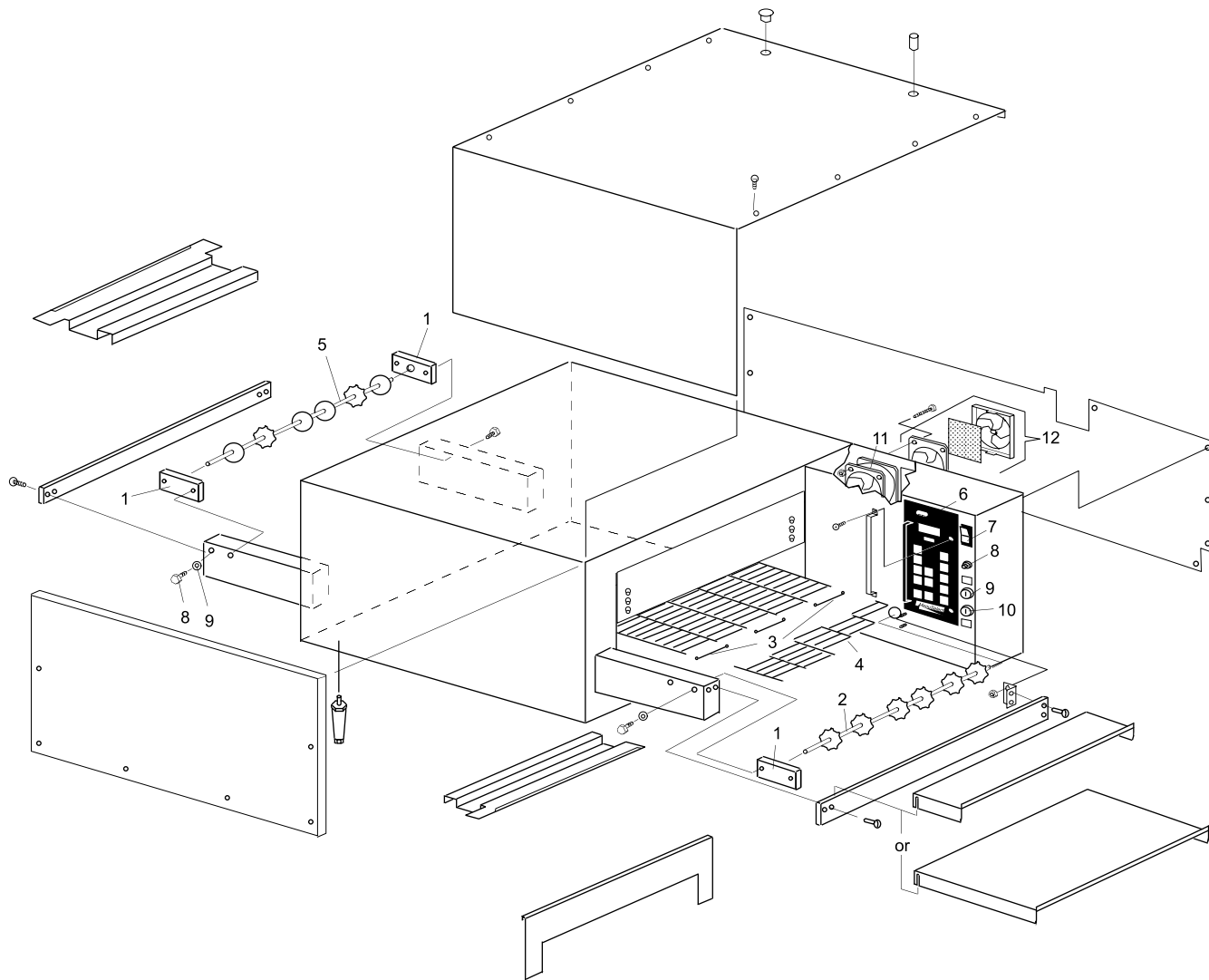


ITEM	PART #	QUANTITY	DESCRIPTION
1	<a href="#">7608516</a>	1	Transformer Ass'y, 32V
2	<a href="#">3002686</a>	1	Cooling Fan
3	<a href="#">3000330</a>	1	Cooling Fan Grille And Filter
4	<a href="#">3004265</a>	1	Thermocouple
5	3002755	2	Motor Brushes
6	<a href="#">34079</a>	1	Gear Motor
7	<a href="#">7610250</a>	1	Control, MenuSelect G26
8	97397	1	Transformer, 12V
9	<a href="#">82905</a>	1	Solid State Relay
10	<a href="#">3003839</a>	1	Rocker Switch, SPST
11	<a href="#">3000227</a>	1	Circuit Breaker
12	<a href="#">97393</a>	1	Bayonet Lock Ass'y
13	<a href="#">3002918</a>	1	Main Relay

## Heating Elements and Thermocouples



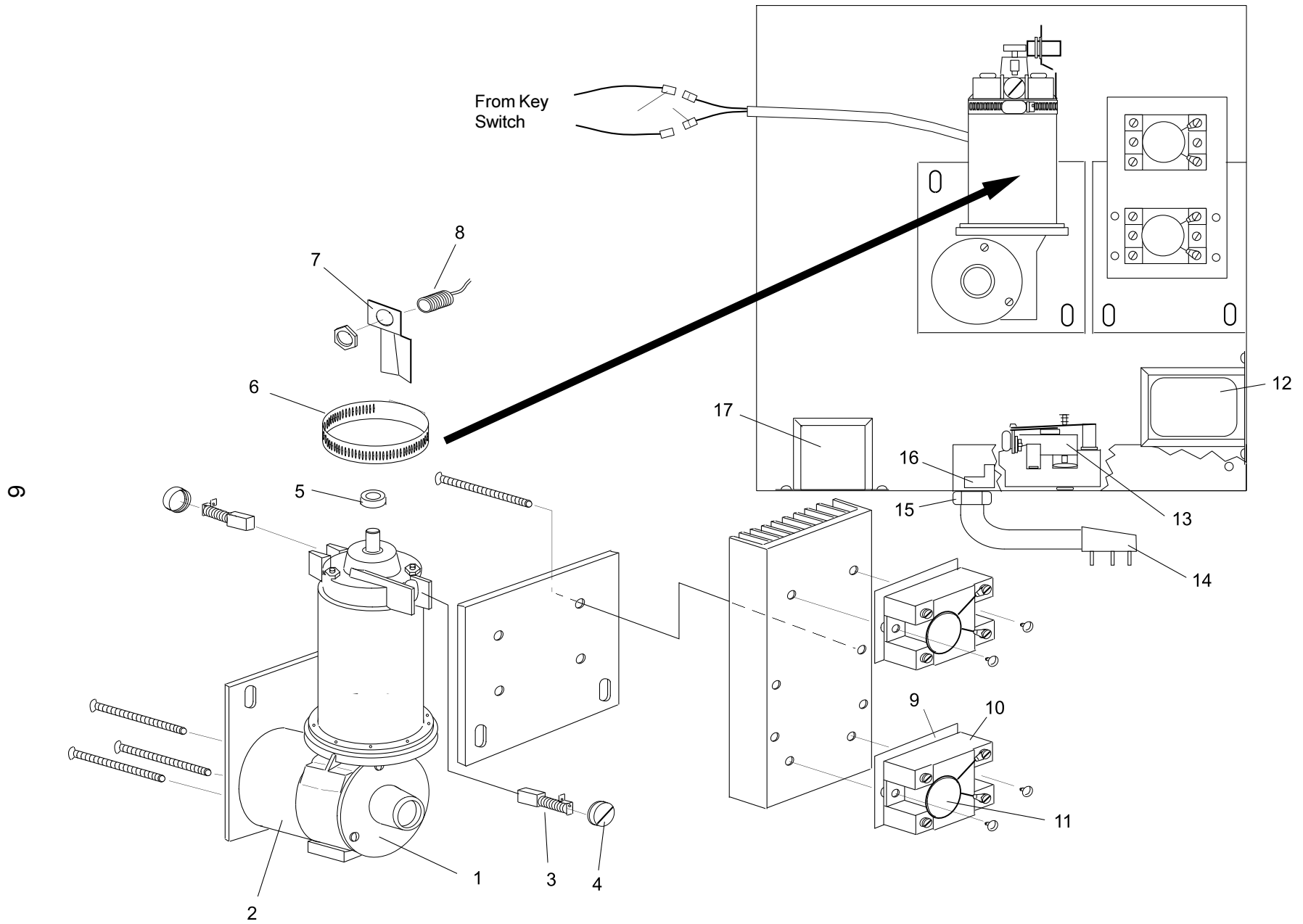
ITEM	PART #	QUANTITY	DESCRIPTION
1	<a href="#">7610794</a>	2	HEATING ELEMENT - HEARTH PLATE, 208V
	<a href="#">7609642</a>	2	HEATING ELEMENT - HEARTH PLATE, 240V
2	<a href="#">33055</a>	4	PORCELAIN TUBE
3	<a href="#">3004265</a>	4	THERMOCOUPLE <i>NOTE: Always replace bayonet fitting when replacing thermocouple.</i>
4	<a href="#">97393</a>	4	BAYONET FITTING w/COMPRESSION FERRULE



**Body Components - Exploded View**

## Body Components - Parts List

ITEM	PART #	QUANTITY	DESCRIPTION
1	<a href="#">3100335</a>	3	BEARING
2	<a href="#">7610247</a>	1	DRIVE SHAFT - CONVEYOR
3	<a href="#">3101175</a>	3	MASTER LINKS
4	<a href="#">30250</a>	1	CONVEYOR BELT (COMPLETE, 16"/406mm W x 90"/2286mm L)
	<a href="#">3101174</a>	(7.5)	CONVEYOR BELT (16"/406mm W x 12"/305mm L)
5	<a href="#">7610248</a>	1	IDLER SHAFT, CONVEYOR
6	<a href="#">7610250</a>	1	CONTROL MENUSELECT
7	<a href="#">3003839</a>	1	SWITCH, SPST ROCKER
8	<a href="#">3000227</a>	1	CIRCUIT BREAKER
9	<a href="#">7610287</a>	1	KEYSWITCH ASSEMBLY, LOCKOUT
10	<a href="#">7610288</a>	1	KEYSWITCH ASSEMBLY, MOTOR REVERSE
11	<a href="#">3002686</a>	1	FAN 230VAC
12	<a href="#">3000330</a>	1	FILTER/GRILL ASSEMBLY, FAN
	<a href="#">3102458</a>	1	FILTER ONLY
Not Shown	<a href="#">3006034</a>	1	HIGH LIMIT SENSOR




**Electrical Components - Exploded View**

## Electrical Components - Parts List

ITEM	PART #	QUANTITY	DESCRIPTION
1	34079	1	GEAR MOTOR KIT, 60:1 (CURRENT)
	3002751	1	GEAR MOTOR (PREVIOUS STYLE)
2	7005390	1	BEARING MOTOR MOUNT
3	3002755	2	BRUSH MOTOR
4	3002756	2	CAP BRUSH
5	97217	1	MAGNET - CERAMIC - 4 POLE
	34080	1	MAGNET W/SCREW
6	220416	1	HOSE CLAMP
7	22450-0248	1	SENSOR BRACKET
8	35208	1	SENSOR ASSEMBLY
9	220009	2	PTFE PAD
10	82905	2	SOLID STATE RELAY
11	3430108A	2	VARISTOR ASSEMBLY
12	7608516	1	TRANSFORMER 32V
13	3002918	1	RELAY
14	3001126	1	CORD AND PLUG ASSEMBLY
15	3000419	1	STRAIN RELIEF
16	87037	1	GROUND LUG
17	97397	1	TRANSFORMER, 12V



 is a registered trademark of CTX, A Middleby Company. All rights reserved.

CTX • 1400 Toastmaster Drive • Elgin, IL 60120 • USA • (847)741-3300 • FAX (847)741-4406

***Middleby Corp 24-Hour Service Hotline 1-800-238-8444***

***[www.middleby.com](http://www.middleby.com)***