



**CT301 & CT302
COUNTERTOP ELECTRIC PIZZA OVENS
REPLACEMENT PARTS LIST**

EFFECTIVE JULY 10, 2018

Superseding All Previous Parts Lists.

The Company reserves the right to make substitution in the event that items specified are not available.

ERRORS: Descriptive and/or typographic errors are subject to correction.

MARSAL

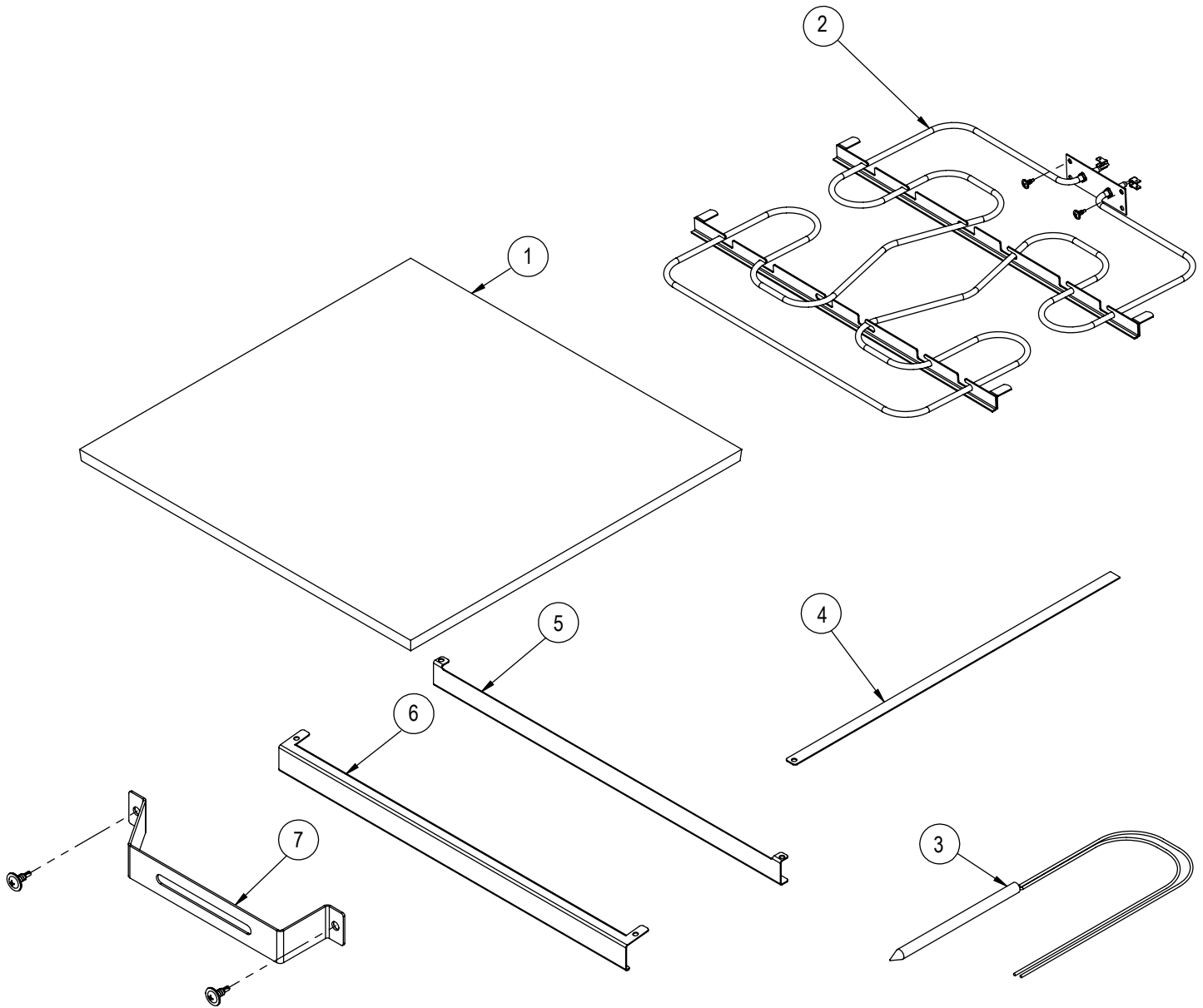
42 Allen Martin Drive, Essex Junction, VT 05452 USA Telephone: (802) 658-6600 Fax: (802) 864-0183
www.marsalovens.com

P/N 72540 Rev D

TABLE OF CONTENTS

CAVITY COMPONENTS	3
CT301 CONTROL MODULE.....	4
CT302 CONTROL MODULE.....	5
CT301 ELECTRICAL COMPONENTS	6
CT302 ELECTRICAL COMPONENTS	7
DOOR COMPONENTS	8
EXTERIOR COMPONENTS.....	9

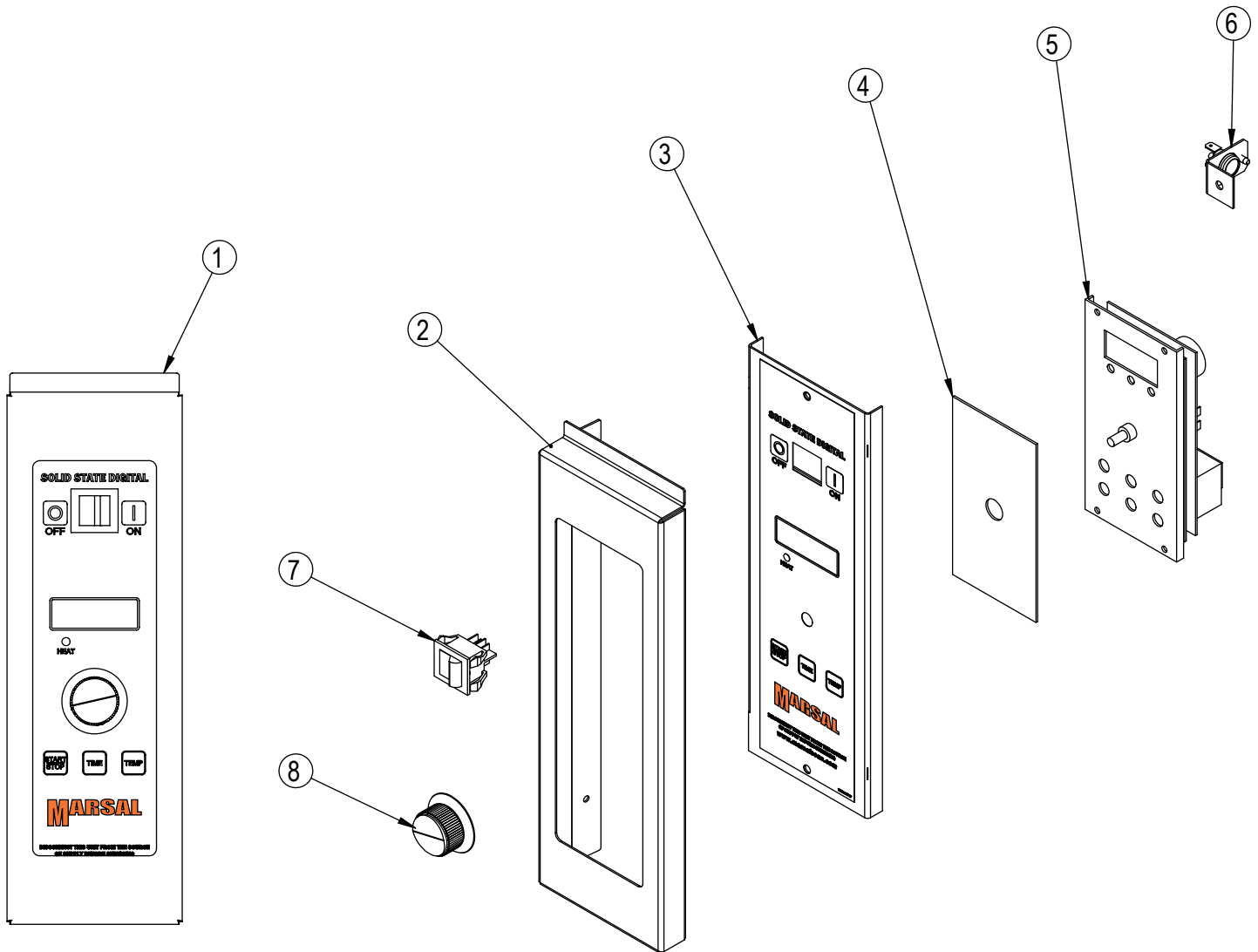
CAVITY COMPONENTS



REF. NO.	PART NO.	DESCRIPTION
1	72529	DECK STONE
2	72530	ELEMENT, 208V
	72531	ELEMENT, 240V
3	23392	TEMPERATURE PROBE
4	72624	SIDE VENT COVER, CT301 AND BOTTOM CAVITY CT302
5	72470	FRONT TRIM TOP CAVITY CT302

REF. NO.	PART NO.	DESCRIPTION
6	72623	FRONT TRIM CT301 AND BOTTOM CAVITY CT302
7	72538	PROBE SHIELD

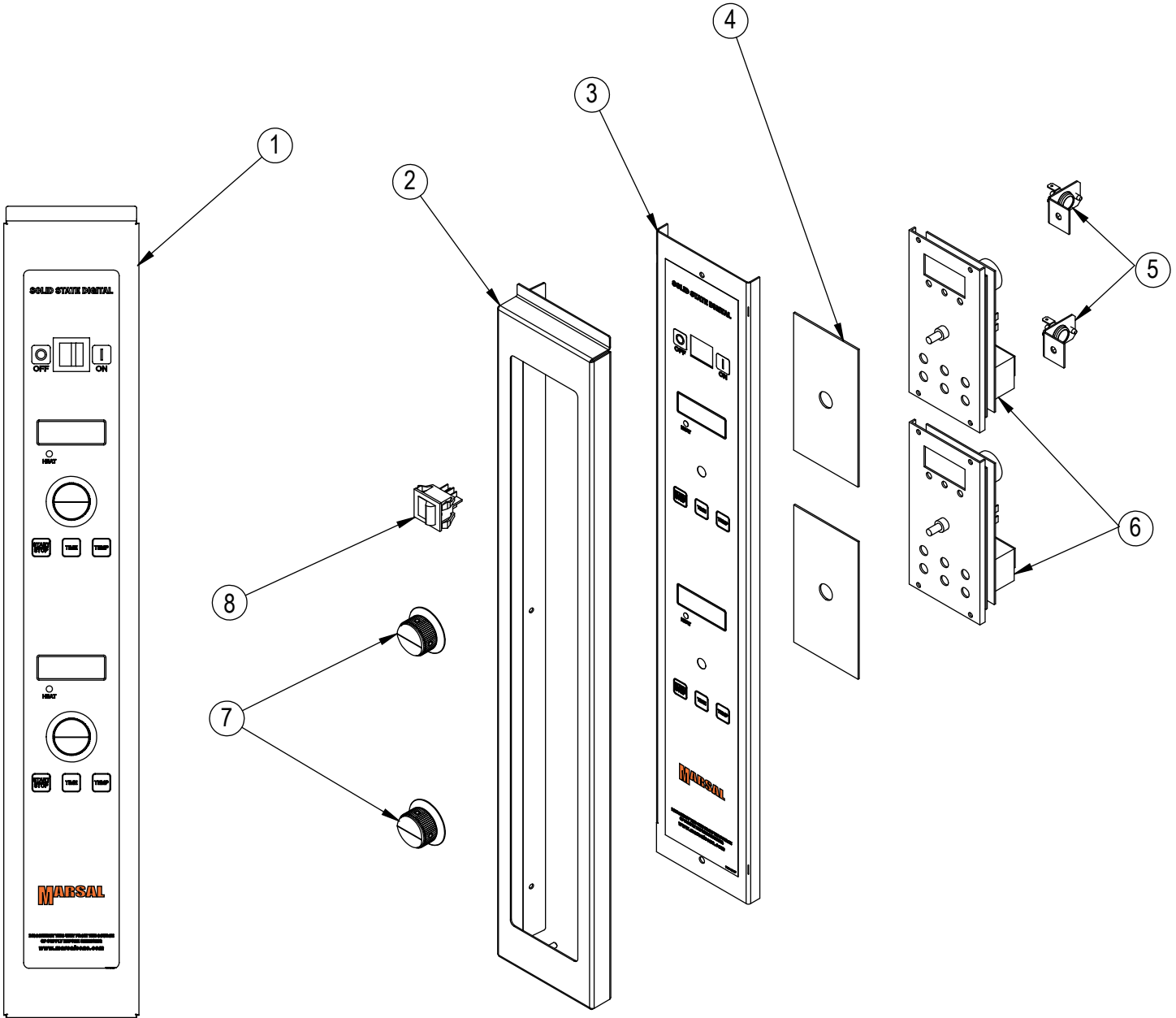
CT301 CONTROL MODULE



REF. NO.	PART NO.	DESCRIPTION
1	72388	MODULE ASSEMBLY, CT301
2	72346	CONTROL COVER, CT301
3	72539	CONTROL PANEL W/ DECAL
4	24725	SPACER, SILICONE
5	72534	TEMP CONTROL, SSD, 550F
6	72533	THERMAL SWITCH, CONTROL

REF. NO.	PART NO.	DESCRIPTION
7	19619	SWITCH, DPST
8	36617	KNOB
9	72381	HARNESS, SSD FRONT, CT301 (NOT SHOWN)

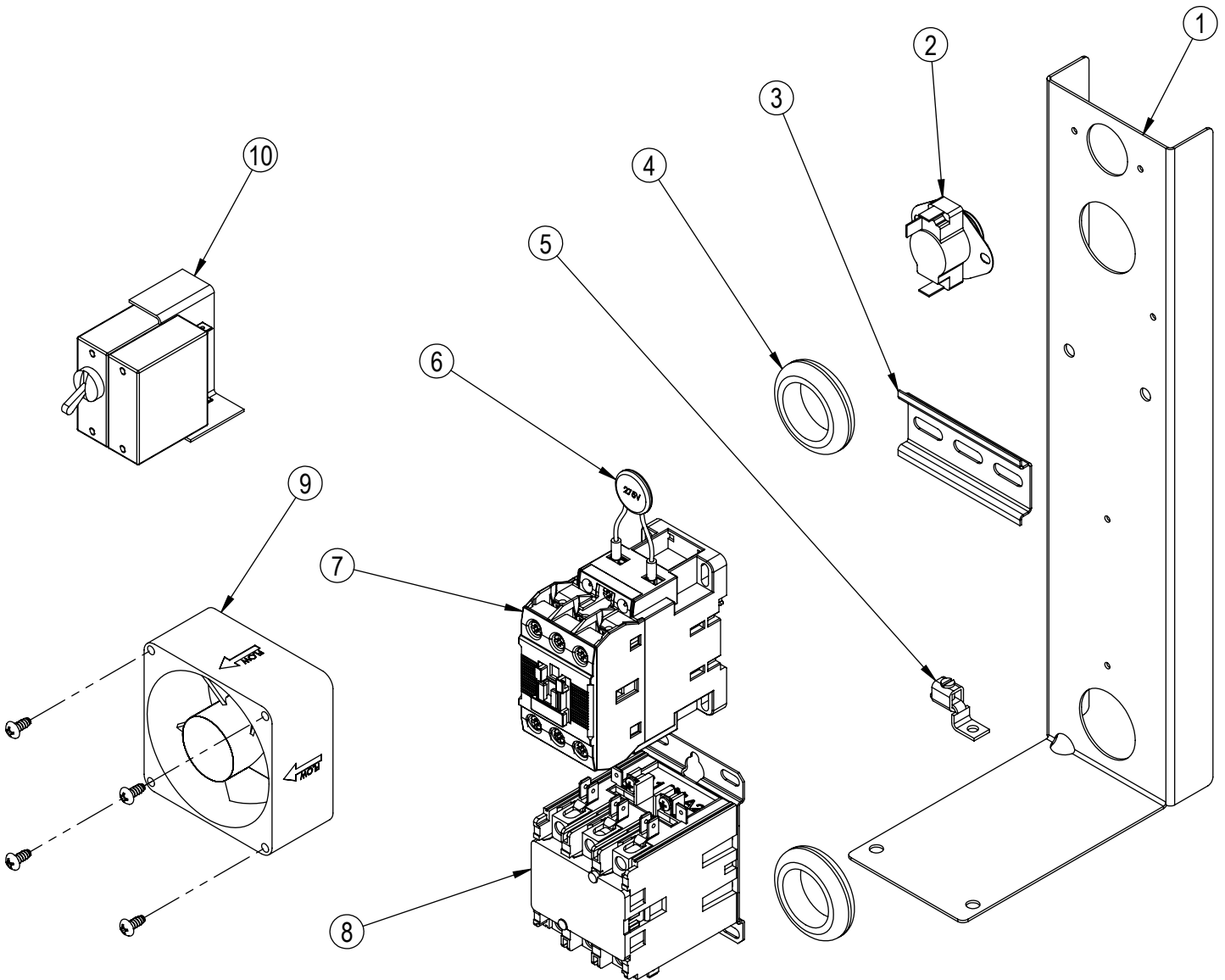
CT302 CONTROL MODULE



REF. NO.	PART NO.	DESCRIPTION
1	72378	MODULE ASSEMBLY, CT302
2	72345	CONTROL COVER, CT302
3	72532	CONTROL PANEL W/ DECAL, CT302
4	24725	SPACER, SILICONE
5	72533	THERMAL SWITCH, CONTROL
6	72534	TEMP CONTROL, SSD, 550F

REF. NO.	PART NO.	DESCRIPTION
7	36617	KNOB
8	19619	SWITCH, ROCKER, DPST
9	72366	HARNESS, SSD FRONT, CT302 (NOT SHOWN)

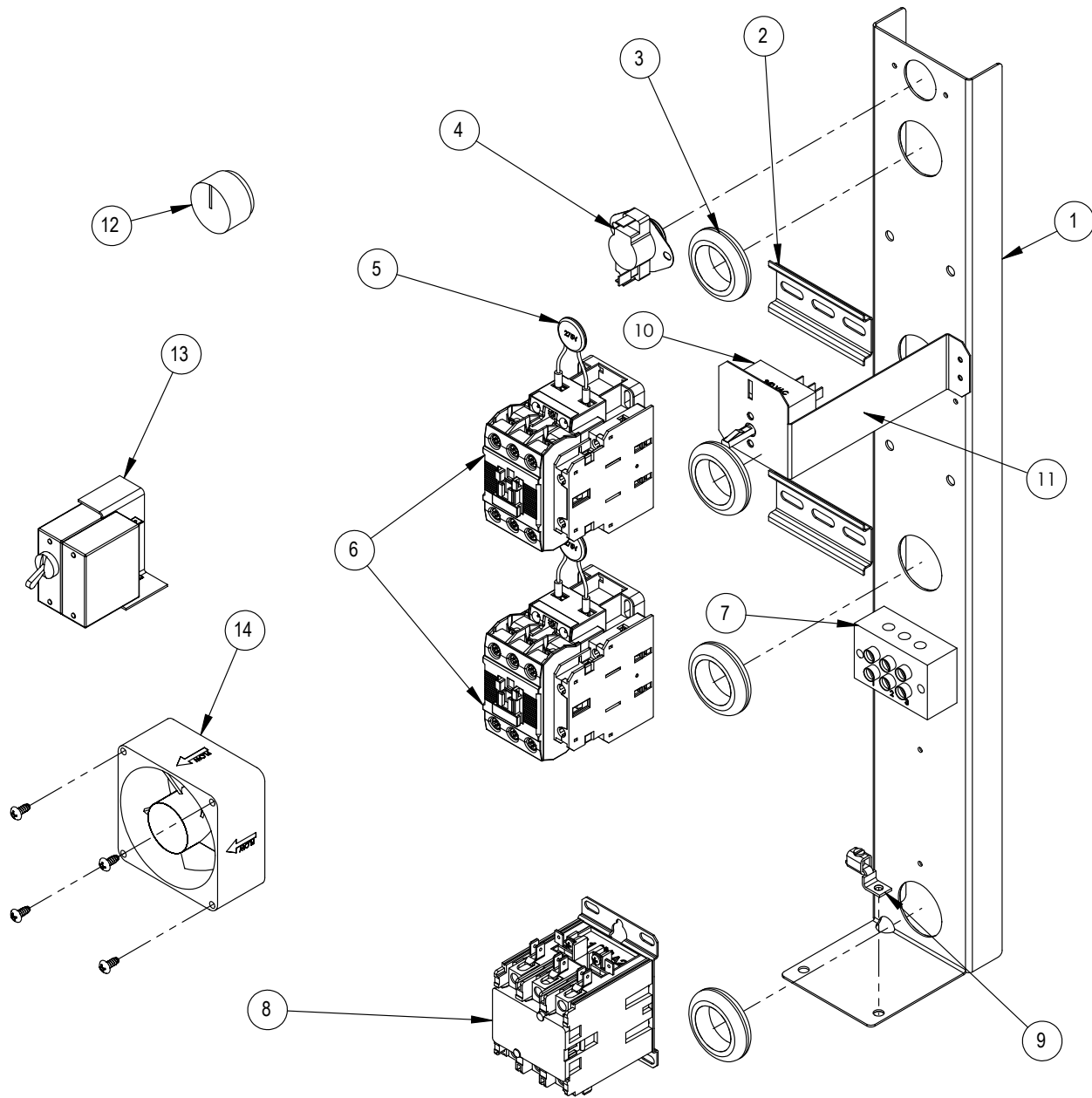
CT301 ELECTRICAL COMPONENTS



REF. NO.	PART NO.	DESCRIPTION
1	72384	CONTACTOR BRACKET, CT301
2	36755	THERMAL SWITCH, SPDT
3	38428	DIN RAIL, 3"
4	72385	GROMMET, 1-3/8"
5	72395	GROUND LUG, W/ SET SCREW
6	33904	MOV ASSEMBLY, 275V
7	R11087	CONTACTOR, 3 POLE, 40A, 208-240VAC
8	5275	CONTACTOR, 50A, 208-240VAC
	71622	CONTACTOR FOR EXPORT UNITS
9	72527	COOLING FAN, 3"

REF. NO.	PART NO.	DESCRIPTION
10	72387	CIRCUIT BREAKER, 5A, 240VAC
	72391	HARNESS, SSD REAR, CT301
	72392	HARNESS, ELEMENT, 3-PHASE, CT301
	72393	HARNESS, ELEMENT, 3-PHASE, CT301 (EXPORT)
	72394	HARNESS, ELEMENT, 1-PHASE, CT301

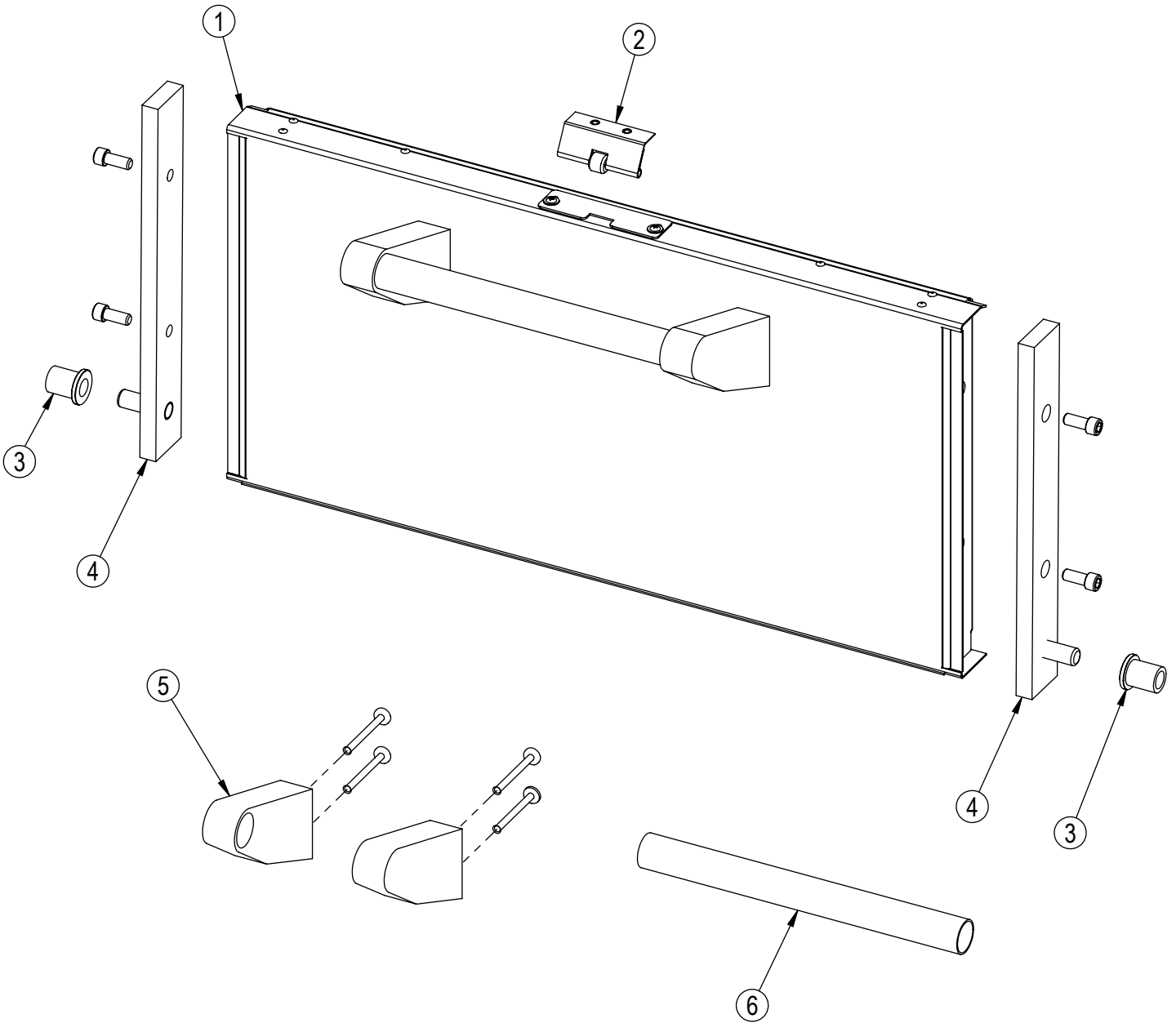
CT302 ELECTRICAL COMPONENTS



REF. NO.	PART NO.	DESCRIPTION
1	72315	CONTACTOR BRACKET, CT302
2	38428	DIN RAIL, 3"
3	72385	GROMMET, 1-3/8"
4	36755	THERMAL SWITCH, SPDT
5	33904	MOV ASSY, 275V
6	R11087	CONTACTOR, 3 POLE, 40A, 208-240VAC
7	5281	BLOCK TERMINAL, 90A 3-POLE
8	5275	CONTACTOR, 50A, 208-240V
	71622	CONTACTOR FOR EXPORT UNITS
9	72395	GROUND LUG, W/ SET SCREW
10	52694	SWITCH, INFINITE

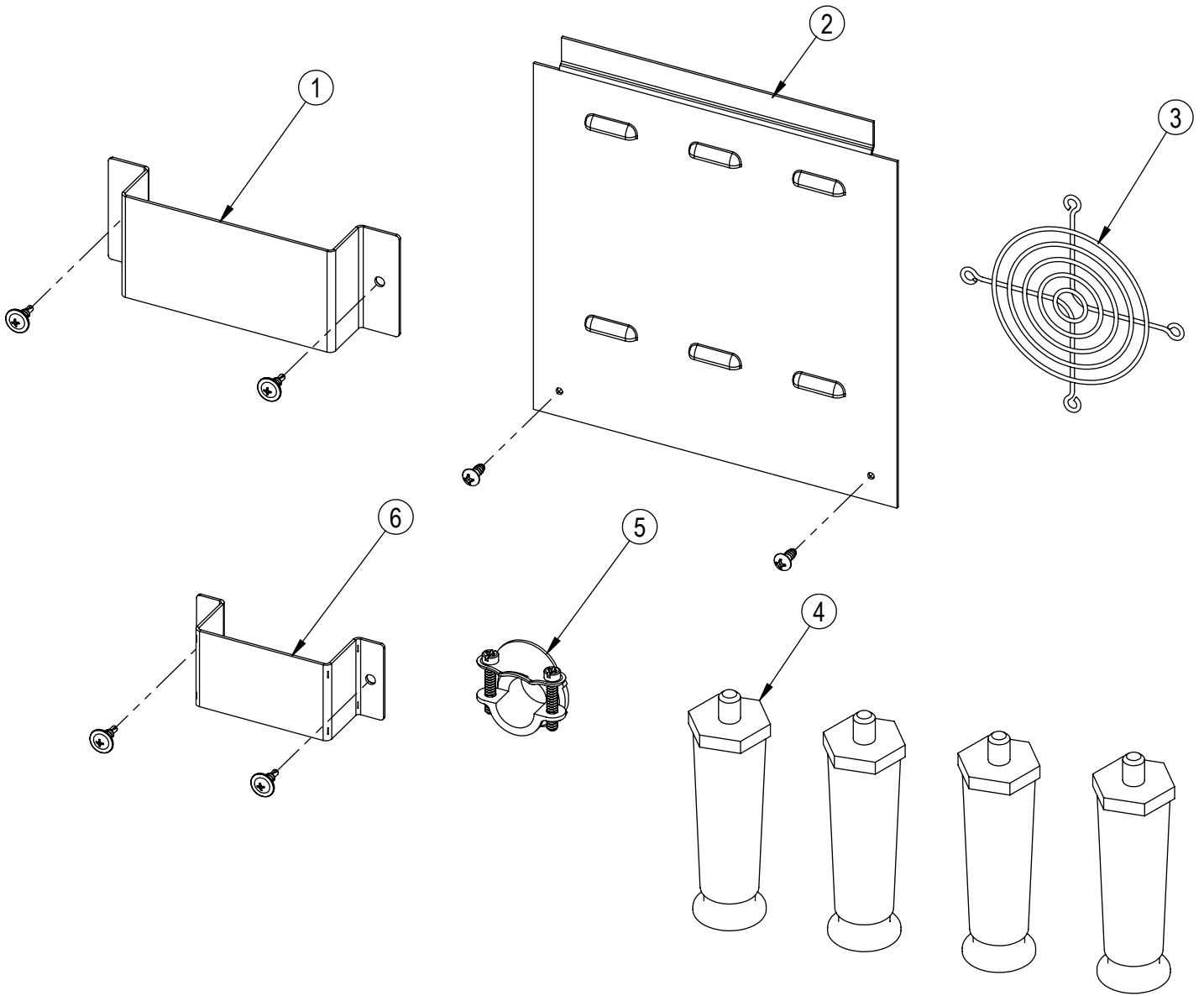
REF. NO.	PART NO.	DESCRIPTION
11	72627	BRACKET, INFINITE SWITCH
12	24684	KNOB, MODE
13	72387	CIRCUIT BREAKER, 5A, 240VAC
14	72527	COOLING FAN, 3"
	72367	HARNESS, SSD REAR, CT302
	72368	HARNESS, ELEMENT, 3-PHASE, CT302
	72379	HARNESS, ELEMENT, 3-PHASE, CT302 (EXPORT)
	72380	HARNESS, ELEMENT, 1-PHASE, CT302

DOOR COMPONENTS



REF. NO.	PART NO.	DESCRIPTION
1	72369	DOOR ASSEMBLY
2	20527	LATCH ASSEMBLY
3	70154	BUSHING, DOOR PIN
4	72528	DOOR HINGE
5	71892	HANDLE BRACKETS
6	71330	DOOR HANDLE, 10"

EXTERIOR COMPONENTS



REF. NO.	PART NO.	DESCRIPTION
1	72535	VENT GUARD
2	72537	ACCESS PANEL
3	72386	FAN GUARD
4	72526	LEG SET, 4"
5	71574	CORD GRIP, SCREW-DOWN, 3/4"
6	72536	SWITCH GUARD