

OWNER'S MANUAL

MODELS AP8, AP8B, AP8C, AP8D – DUMP STATION HEATER



Supplier Name: **MARSHALL AIR SYSTEMS, INC.**
Address: 419 Peachtree Drive South
Charlotte, NC 28217

Model #: _____
Serial #'s: _____

Date Received: _____
Date Installed: _____
Telephone #: 704-525-6230
Fax #: 704-525-6229
Service Referral #: 800-722-3474
Local Service: _____
Local Service #: _____

PRODUCT DESCRIPTION

The Model AP8, AP8B, AP8C, AP8D Dump Station Heater features Marshall's own ThermoGlo™ heating technology. Heat radiates from every square inch of the upper flat plate heating surface. This eliminates the need to clean intricate calrod, wire and reflector assemblies. This unit is designed to easily mount on virtually any fryer manufacturer's dump station.

GENERAL SPECIFICATIONS

Model: AP8, AP8B, AP8C, AP8D
Height: AP8 - 8", AP8B - 17"
AP8C - 8", AP8D - 17"
Width: 10"
Depth: 22"
Electrical: 110/120 Volts, AC 1000 Watts,
50/60 Hz, 8.3 Amps
240Volts 1000 Watts 50/60Hz
4 Amps
Power Cord: 6 ft 3 wire ground type UL rated
Weight: 15 lbs. (Approximate)
Approvals: ETL and NSF

FOR YOUR SAFETY

DO NOT STORE OR USE GASOLINE OR OTHER FLAMMABLE VAPORS OR LIQUIDS IN THE VICINITY OF THIS OR ANY OTHER APPLIANCE.

WARNING: IMPROPER INSTALLATION, ADJUSTMENT, ALTERATION, OR MAINTENANCE CAN CAUSE PROPERTY DAMAGE, INJURY OR DEATH. READ THE INSTALLATION, OPERATION AND MAINTENANCE INSTRUCTIONS THOROUGHLY BEFORE INSTALLING OR SERVICING THIS EQUIPMENT.

KEEP THIS MANUAL IN A SAFE PLACE AND RETAIN FOR FUTURE USE.

OWNER'S MANUAL

MODELS AP8, AP8B, AP8C, AP8D – DUMP STATION HEATER



TABLE OF CONTENTS

PRE INSTALLATION	1
INSTALLATION	1
DAILY CHECKLIST AND CLEANING GUIDE	1
MONTHLY MAINTENANCE	1
TROUBLESHOOTING CHART	2
REPLACEMENT PARTS LIST	3

ILLUSTRATIONS

REPLACEMENT PARTS LIST AND ILLUSTRATION	FIGURE 1
WIRING SCHEMATIC W/SWITCH W/LIGHT	DWG 122071
WIRING SCHEMATIC NO RECEPTACLE	DWG 118710

OWNER'S MANUAL

MODELS AP8, AP8B, **AP8C**, **AP8D** – DUMP STATION HEATER



PRE-INSTALLATION

1. The unit is packaged to minimize the risk of shipping damage. Immediately upon receipt, make certain to inspect the unit for damage. **FILE ALL CLAIMS WITH THE FREIGHT CARRIER.**
2. Unpack Unit and remove all protective paper or plastic covering metal parts. **FILE ANY CONCEALED DAMAGE CLAIMS WITH THE FREIGHT CARRIER.**

FINAL INSTALLATION

1. Unpack unit and remove all protective paper or plastic covering from metal parts.
2. Center heat station on back of dump station as shown on the cover page and secure using screws.
3. Plug unit into an AC 120 Volt receptacle. If unit is 240V, a plug must be installed on the cord.

DAILY CHECKLIST AND CLEANING GUIDE

TO USE THE HEAT STATION

1. Turn on the power switch.
2. Power indicator lamp will illuminate indicating power is going to the heater.
3. The unit is ready to use after a 15 minute preheat period.

CLEANING CHECKLIST

1. Turn off the unit and allow it to cool for 30 minutes.
2. Cleaning may be done with a mild detergent and damp cloth.

DO NOT IMMERSE WARMER IN WATER!
DO NOT SATURATE WARMER SURFACES WITH WATER!
DO NOT USE ABRASIVE OR CORROSIVE CHEMICAL CLEANERS!
DO NOT USE SHARP OBJECTS TO SCRAPE CLEAN!

The ThermoGlo™ Food Warmers are enclosed in a stainless steel wrap. This warmer is constructed so that heat expansion and cooling cycles may take place freely. Therefore, by no means is it water tight.

3. Allow sufficient drying time before attempting to use.

MONTHLY MAINTENANCE

Follow the daily cleaning checklist; there are no periodic adjustments.

OWNER'S MANUAL

MODELS AP8, AP8B, AP8C, AP8D – DUMP STATION HEATER



TROUBLESHOOTING

****DISASSEMBLING HEATER VOIDS WARRANTY****

This section contains a list of possible problems with the unit. Probable causes are listed in the order they are most likely to happen. This sequence should be used to isolate the problem.

1. **PROBLEM: NO HEAT/AND NO LIGHT IN SWITCH**

POSSIBLE CAUSE:

- A) Unplugged. **SOLUTION:** Plug in.
- B) Circuit breaker is tripped. **SOLUTION:** Reset breaker; call electrician if tripped twice.
- C) Cord/plug defective. **SOLUTION:** Unplug unit and replace cord/plug assembly.

2. **PROBLEM: NO LIGHT IN SWITCH/WITH HEAT (IF UNIT IS EQUIPPED WITH ROCKER SWITCH)**

POSSIBLE CAUSE:

- A) Switch light burned out. **SOLUTION:** Unplug unit and replace switch.

3. **PROBLEM: NO LIGHT IN POWER INDICATOR LAMP/WITH HEAT (IF UNIT IS EQUIPPED WITH TOGGLE SWITCH AND LAMP).**

POSSIBLE CAUSE:

- A) Power indicator lamp burned out. **SOLUTION:** Unplug unit and replace lamp.

4. **PROBLEM: LIGHT IN SWITCH/NO HEAT (IF UNIT IS EQUIPPED WITH ROCKER SWITCH) OR LIGHT IN POWER INDICATOR LAMP/NO HEAT (IF UNIT EQUIPPED WITH TOGGLE SWITCH AND LAMP).**

POSSIBLE CAUSE:

- A) Defective heating unit assembly. **SOLUTION:** Check supply voltage, must match rating label voltage. Check voltage to switch, lights and/or heater.

OWNER'S MANUAL

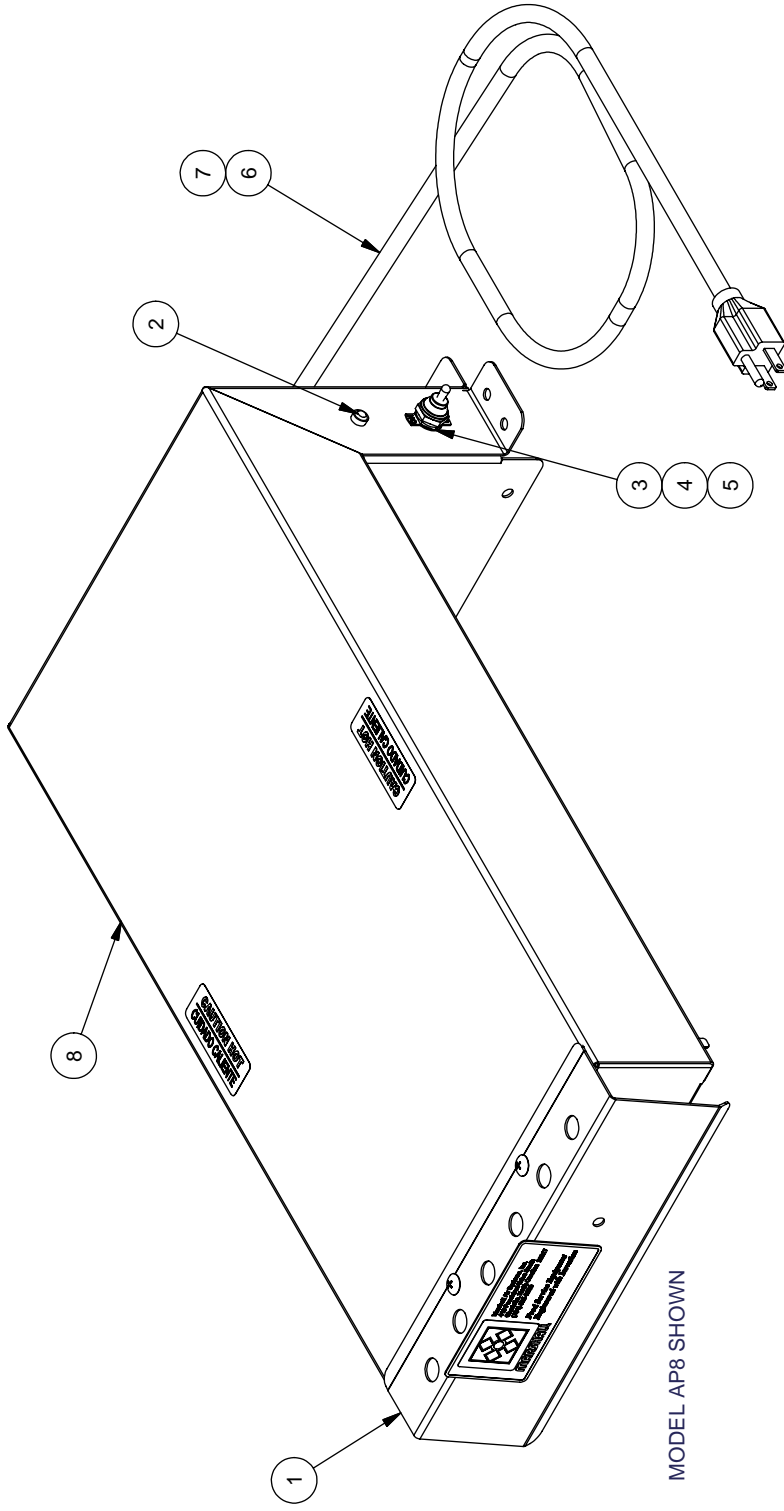
MODELS AP8, AP8B, AP8C, AP8D – DUMP STATION HEATER



REPLACEMENT PARTS LIST

WARNING: USE OF NON-MARSHALL APPROVED PARTS WILL VOID WARRANTY.

PART NUMBER	DESCRIPTION	ITEM
151875	Asby. Heat Guard w/Vulcan Label (AP8C, AP8CINTLCE, AP8D, AP8DINTLCE)	1
151879	Asby, Heat Guard w/Marshall Label (AP8, AP8B)	1
503148	Boot, Switch Toggle	5
502080	Connector, Strain Relief	7
503617	Cord Only 6 Ft (240V) (AP8CINTLCE, AP8DINTLCE)	6
110590	Cord w/Plug 6 Ft. (120V) (AP8, AP8B, AP8C, AP8D)	6
500086	Light, Indicator Red (120V) (AP8, AP8B, AP8C, AP8D)	2
503342	Light, Indicator Red (208/240V) (AP8CINTLCE, AP8DINTLCE)	2
501217	Plate, On/Off Indicator	4
501864	Switch, Rocker (Option on Early Units)	3
500789	Switch, Toggle, Serial Number 0909H18963 and Before	3
500885	Switch, Toggle, Serial Number 0909H18964 and After	3
N/A	ThermoGlo™ (not a replacement part) Entire unit to be replaced.	8



MODEL AP8 SHOWN

Parts List			
ITEM	PART NO.	DESCRIPTION	QTY
1	151879	ASBY, HEAT GUARD WITH MARSHALL NAMEPLATE (AP8, AP8B)	1
	151875	ASBY, HEAT GUARD WITH VULCAN NAMEPLATE (AP8C, AP8CINTLCE, AP8D, AP8DINTLCE)	1
2	500086	LIGHT, INDICATOR RED 120V (AP8, AP8B, AP8C, AP8D)	1
	503342	LIGHT, INDICATOR RED 240V (AP8CINTLCE, AP8DINTLCE)	1
3	500789	SWITCH, TOGGLE - SERIAL NUMBER 0909H18963 AND BEFORE	1
	500885	SWITCH, TOGGLE - SERIAL NUMBER 0909H18964 AND AFTER	1
	501864	SWITCH, ROCKER (OPTION ON EARLY UNITS)	1
4	501217	PLATE, ON/OFF INDICATOR	1
5	503148	BOOT, TOGGLE SWITCH	1
6	110590	CORD W/PLUG 120V 6 FT (AP8, AP8B, AP8C, AP8D)	1
	503617	CORD ONLY 208/240V 6 FT (AP8CINTLCE, AP8DINTLCE)	1
7	502080	CONNECTOR, STRAIN RELIEF	1
8	N/A	ThermoGlo™ UNIT AND HOUSING	1

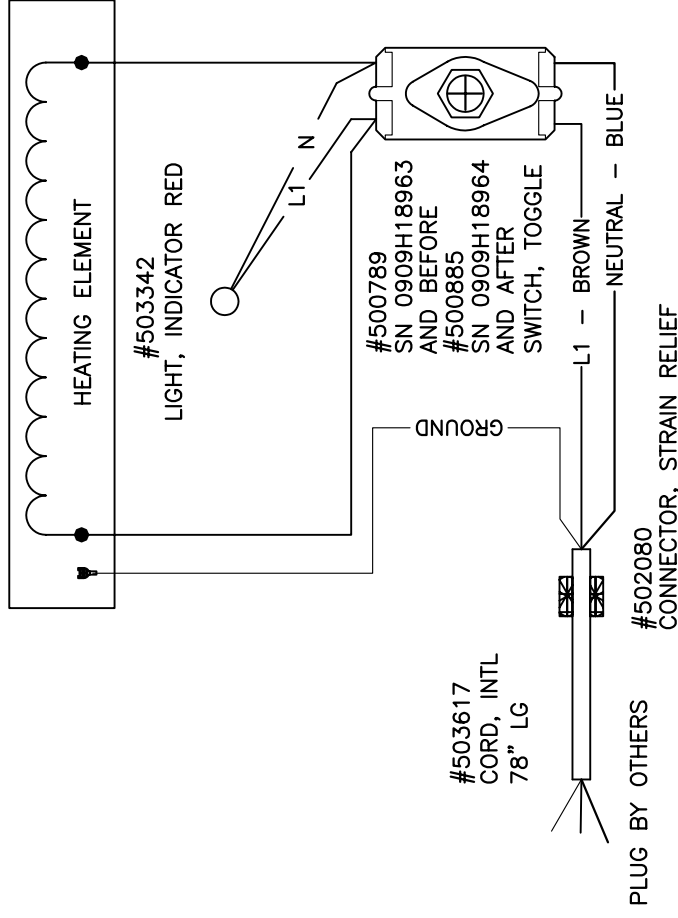
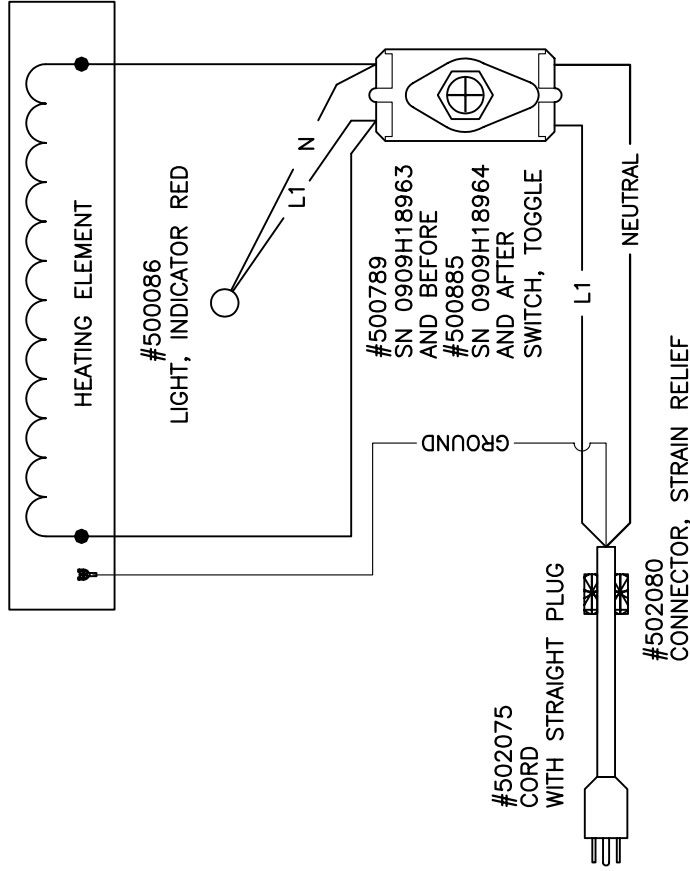
REPLACEMENT PARTS

FIGURE 1

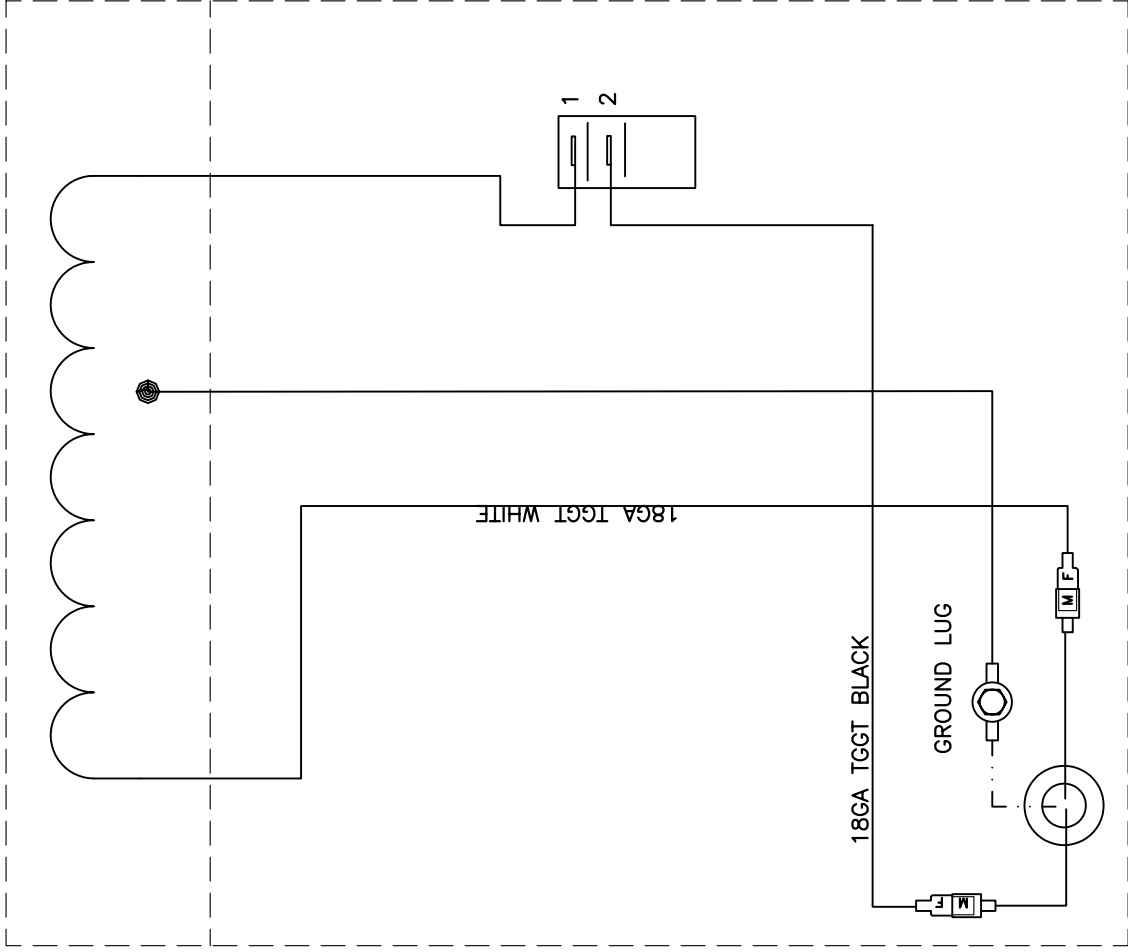
122071

120 VOLTS 8.3 AMPS

240 VOLTS 4.2 AMPS



REV	DESCRIPTION	DATE	REV. BY	DRAWN BY:	DATE:	REV DATE:	MARSHALL AIR SYSTEMS, INC.
1	UPDATED, INCOMP. SCHEMATIC 140832 240V	28-AUG-2002	JMIR	P.W.	31-MAY-1994	17-SEP-2009	SCHEMATIC, AP8 120V / AP8INTL 240V
2	116036 WAS 110590	14-OCT-2008	J.L.	GENERIC NAME:			
3	#502075 WAS #116036	29-JUL-2009	WW	SCHEMATIC			
4	ADDED #500885 AND SN INFO	17-SEP-2009	WW	PRODUCT LINE:			
				FAB	PRODUCT CLASS:		
					TGL		
				REFERENCE	SIZE:	ROUTE:	DWG. NO.:
					A	ELECT	122071
							REV: 4
					SCALE:	1:2	CODE: AP8 AP8B AP8C AP8D
					IMAGE MAY BE REDUCED	NTS	



#500789
SWITCH, TOGGLE

NOTE:
SOME UNITS
FURNISHED WITH
#501864
SWITCH, ROCKER

120 VOLTS 7 AMPS

#502075
CORD
W/ STRAIGHT PLUG

#502080
CONNECTOR, STRAIN RELIEF

REV	DESCRIPTION	DATE	REV. BY	DRAWN BY:	DATE:	REV DATE:	MARSHALL AIR SYSTEMS, INC.		
1	CORRECTED RATING FROM 9 TO 8.3 TO MATCH OWNERS MANUAL AND NAMEPLATE	18-OCT-1996	CP	J.R.	27-NOV-1989	28-AUG-2002	SCHEMATIC, CA4 120V W/ ROCKER SWITCH		
2	SWITCH WAS LIGHTED #501960	19-APR-1999	PW	SCHEMATIC			W/O RECEIPTAL AND FUSE		
3	ADDED SWITCH 500789 FOR AP8 SERIES	27-AUG-1999	CP	FAB	TGL		SIZE: A	ROUTE: ELECT	
4	UPDATED SCHEMATIC	28-AUG-2002	JMR	REFERENCE			DWG. NO.: 118710	REV.: 4	
							SCALE: 1:1	IMAGE MAY BE REDUCED	CODE: AP8