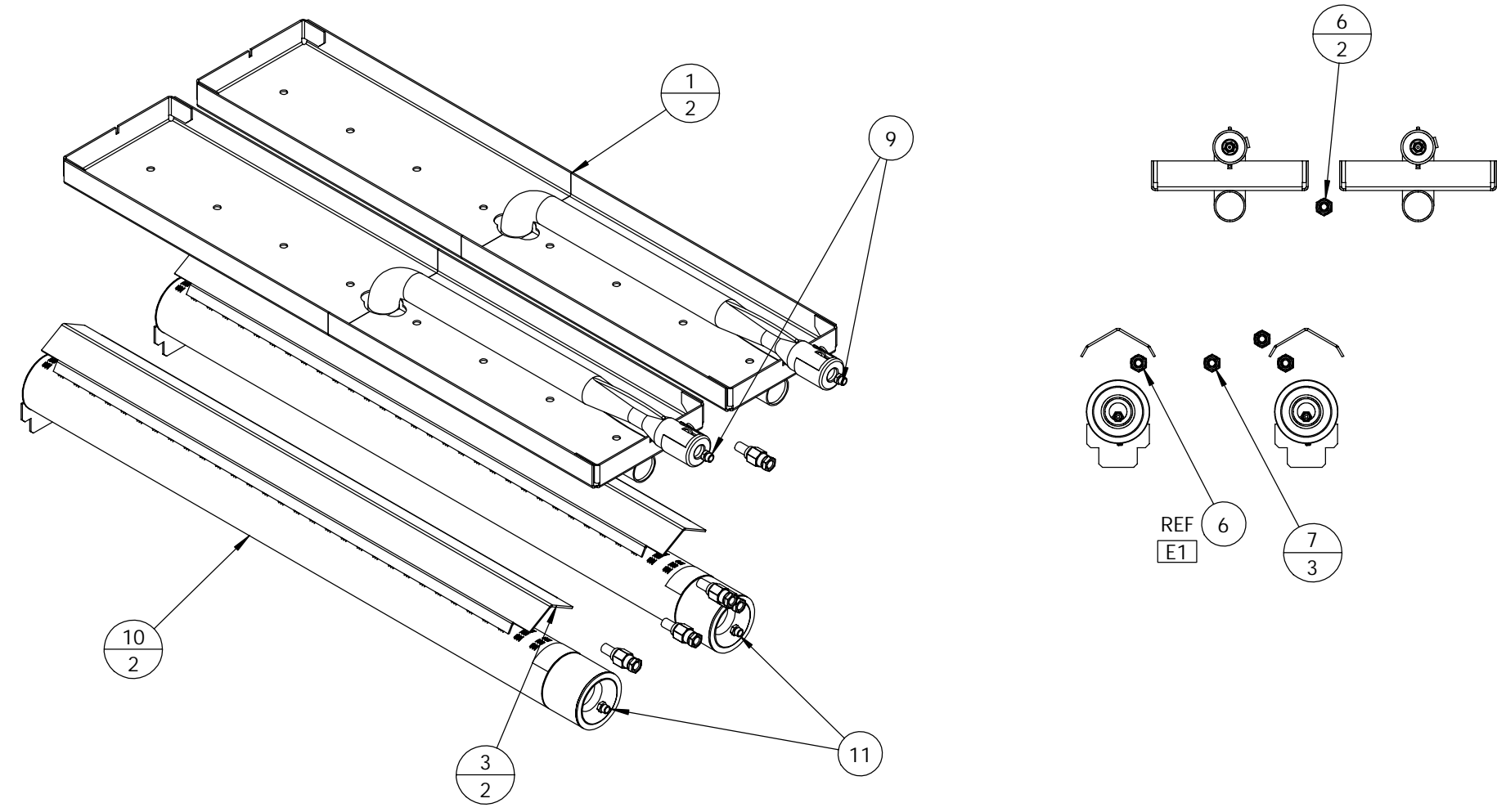


| REVISIONS | | | | |
|-----------|------|--|----------|----------|
| ZONE | REV. | DESCRIPTION | DATE | APPROVED |
| | A | INITIAL RELEASE | 4-22-03 | DC |
| | B | CORRECTED ORIFICE P/N | 6-3-03 | - |
| | C | REPLACED 13942 WITH 14240 | 2-12-04 | VS |
| | D | 1-REPLACED ITEMS 4 & 5 WITH ITEM 11 | 10-26-04 | DC |
| 4B P/L | E | 1- REPLACED ITEM 8 WITH ITEM 6 2- ITEM 6 WAS QTY = 1 IS QTY = 2 | 6-08-05 | DI |

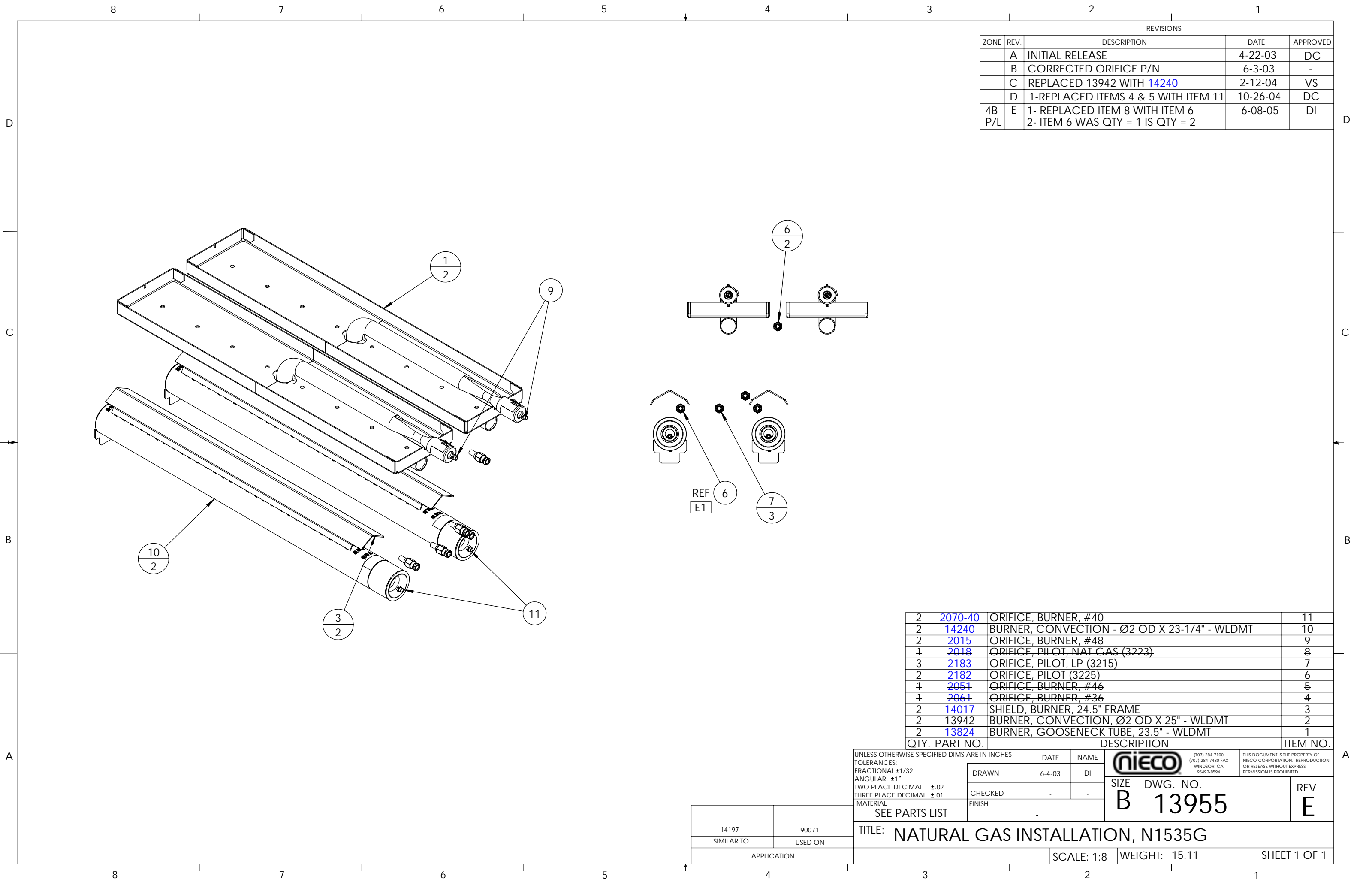


| QTY. | PART NO. | DESCRIPTION | ITEM NO. |
|------|----------|--|----------|
| 2 | 2070-40 | ORIFICE, BURNER, #40 | 11 |
| 2 | 14240 | BURNER, CONVECTION - Ø2 OD X 23-1/4" - WLDMT | 10 |
| 2 | 2015 | ORIFICE, BURNER, #48 | 9 |
| 4 | 2018 | ORIFICE, PILOT, NAT GAS (3223) | 8 |
| 3 | 2183 | ORIFICE, PILOT, LP (3215) | 7 |
| 2 | 2182 | ORIFICE, PILOT (3225) | 6 |
| 4 | 2054 | ORIFICE, BURNER, #46 | 5 |
| 4 | 2064 | ORIFICE, BURNER, #36 | 4 |
| 2 | 14017 | SHIELD, BURNER, 24.5" FRAME | 3 |
| 2 | 13942 | BURNER, CONVECTION, Ø2 OD X 25" - WLDMT | 2 |
| 2 | 13824 | BURNER, GOOSENECK TUBE, 23.5" - WLDMT | 1 |

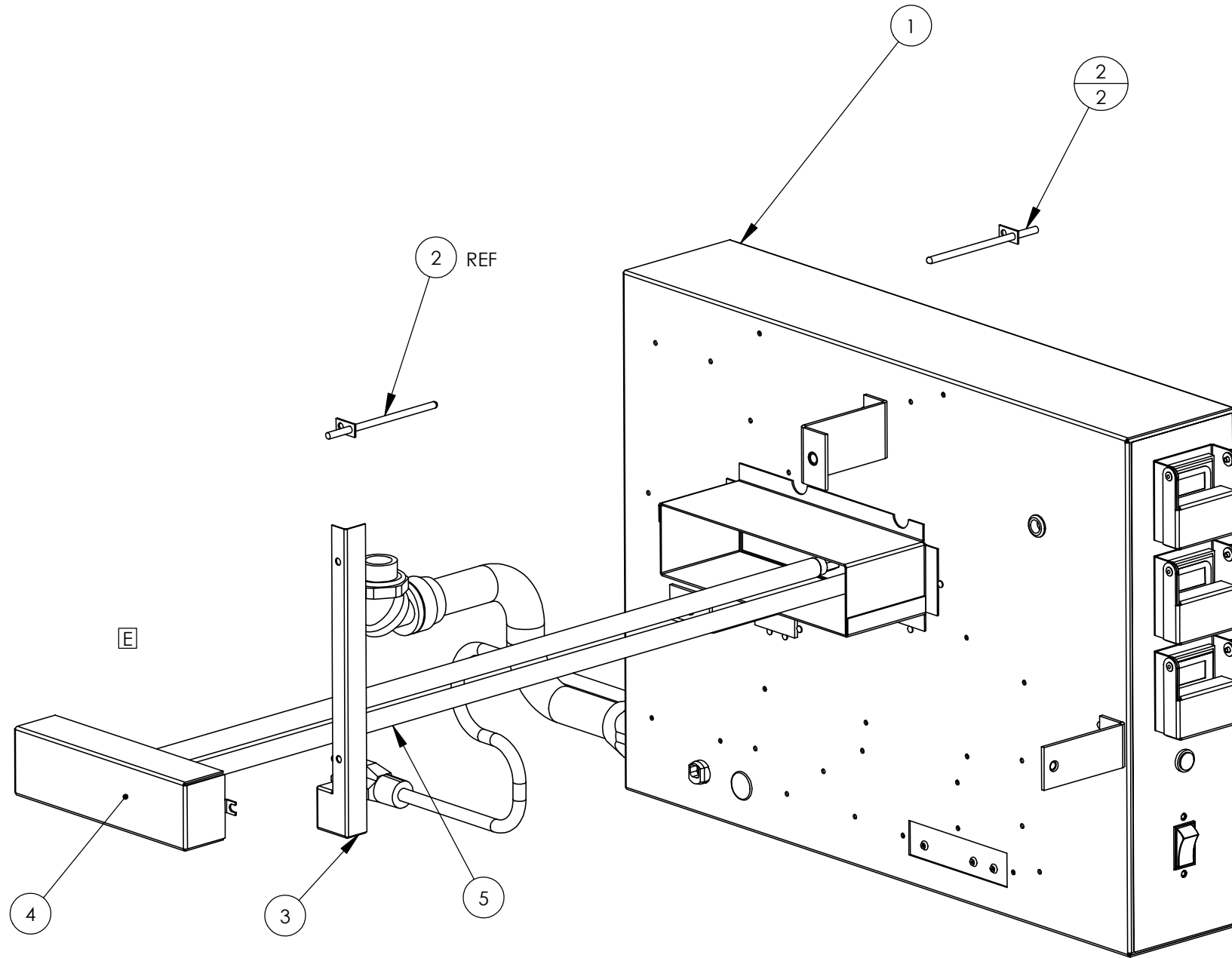
UNLESS OTHERWISE SPECIFIED DIMS ARE IN INCHES

| | | | | | |
|---|--------|------|---------------|---|--|
| TOLERANCES: FRACTIONAL ±1/32 ANGULAR: ±1° TWO PLACE DECIMAL ±.02 THREE PLACE DECIMAL ±.01 | DATE | NAME | | <small>(707) 284-7100 (707) 284-7430 FAX WINDSOR, CA 95492-8594</small> | <small>THIS DOCUMENT IS THE PROPERTY OF NIECO CORPORATION. REPRODUCTION OR RELEASE WITHOUT EXPRESS PERMISSION IS PROHIBITED.</small> |
| DRAWN | 6-4-03 | DI | | | |
| CHECKED | - | - | SIZE | DWG. NO. | REV |
| MATERIAL | FINISH | - | B | 13955 | E |
| SEE PARTS LIST | | | | | |
| TITLE: NATURAL GAS INSTALLATION, N1535G | | | | | |
| SCALE: 1:8 | | | WEIGHT: 15.11 | | SHEET 1 OF 1 |

| | |
|-------------|---------|
| 14197 | 90071 |
| SIMILAR TO | USED ON |
| APPLICATION | |



| REVISIONS | | | | |
|-----------|------|---|----------|----------|
| ZONE | REV. | DESCRIPTION | DATE | APPROVED |
| | A | INITIAL RELEASE | 4/23/03 | DC |
| | B | ITEM 6 WAS P/N 5670 IS 5820 | | |
| | C | DELETED P/N 5820 AND SH2 | 6/10/03 | PB |
| | D | UPDATED ITEM 1 TO LATEST REV UPDATED DWG FORMAT | 10/2/03 | PB |
| 8B | E | DELETED ITEM 6 (P/N 14013) & ITEM 7 (P/N 13738) PER ECR 70 | 4/21/04 | DI |
| | F | ITEM 2 REPLACED. WAS P/N 12739 | 8-12-04 | DC |
| | G | ADDED ITEM 6. | 12-22-04 | PB |
| | H | ITEM 1 REPLACED. WAS P/N 13933 | 4-28-05 | PB |



| QTY. | PART NO. | DESCRIPTION | ITEM NO. |
|------|----------|--|----------|
| 2 | 5894 | TUBE, SILICONE, .420" ID X 2" LONG | 6 |
| 1 | 13654 | HEATER ELEMENT, 24", 120V HAIRPIN | 5 |
| 1 | 12182 | COVER, THERMOSTAT | 4 |
| 1 | 13926 | COVER, THERMAL PROBE WIRE | 3 |
| 2 | 15576 | THERMOCOUPLE PROBE, W/SS OVER BRAID, TYPE J, 60" LEADS | 2 |
| 1 | 14303 | CONTROL BOX, 2 BELT N SERIES, 115 VAC, FT - ASSY | 1 |

NOTE:
1 - ITEM 6 NOT SHOWN. IS ADDED WHEN WIRES ARE CONNECTED TO THE ELEMENT.

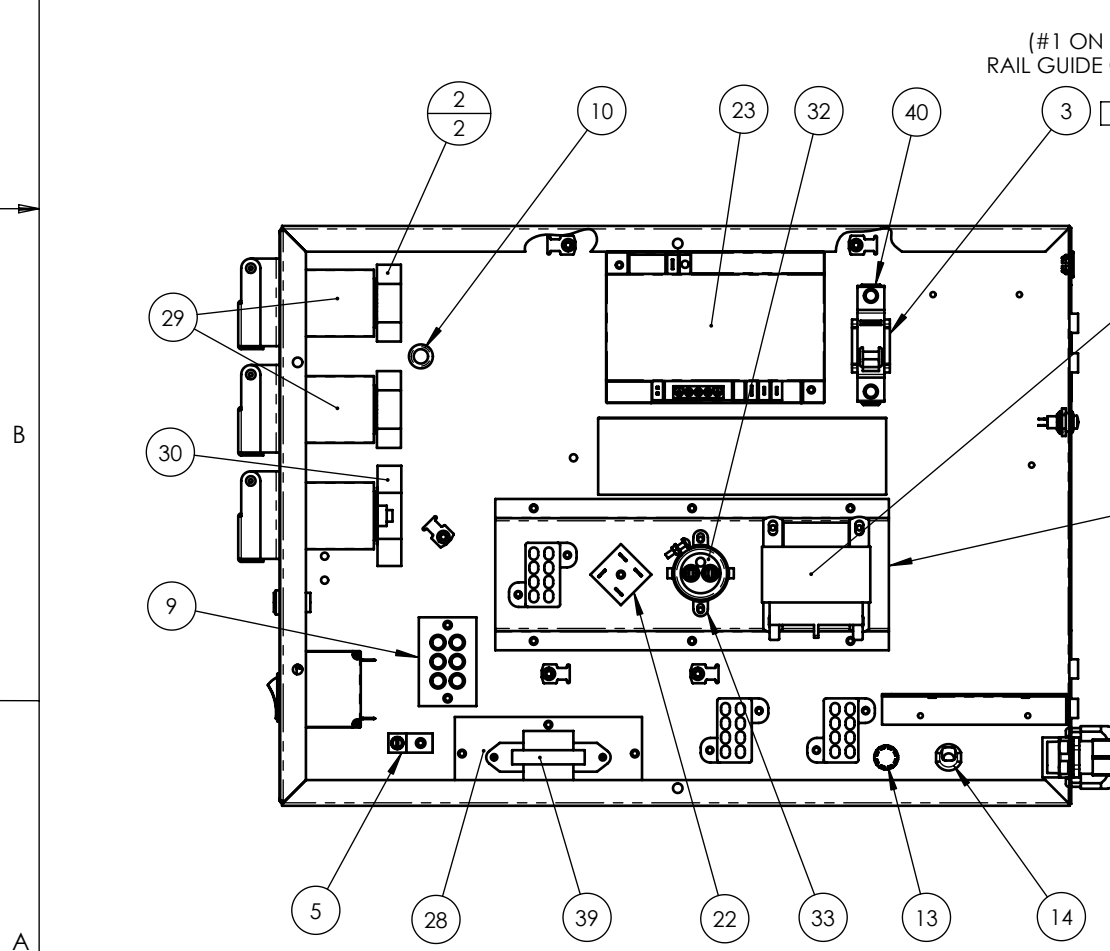
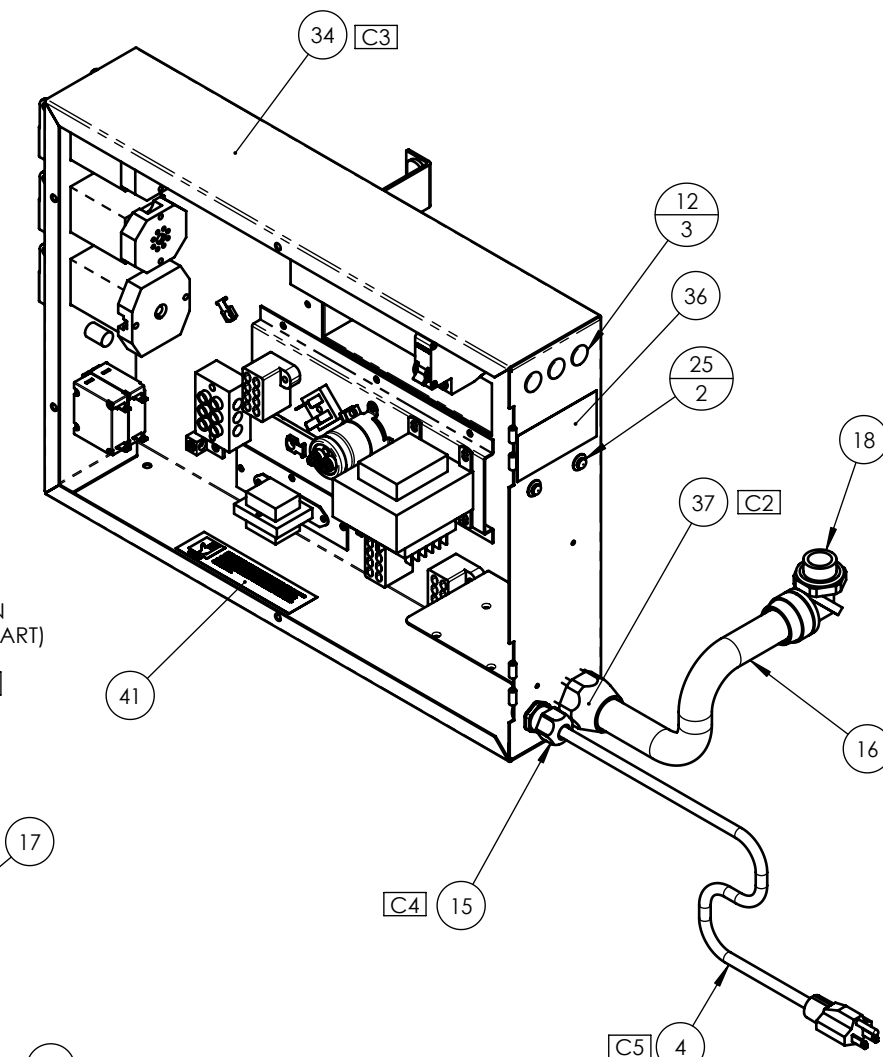
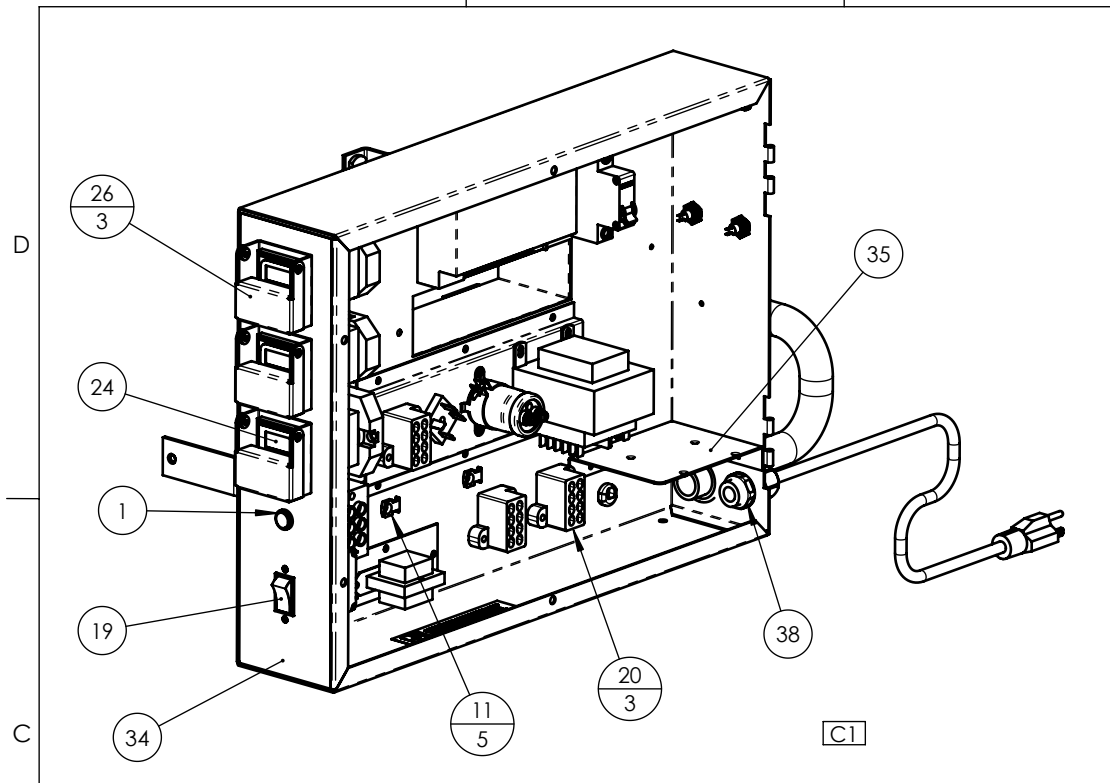
| | | | | | |
|---|--|---------|---------------|---|--|
| UNLESS OTHERWISE SPECIFIED DIMS ARE IN INCHES | | DATE | NAME | <small>(707) 284-7100 (707) 284-7430 FAX WINDSOR, CA 95492-8594</small> | <small>THIS DOCUMENT IS THE PROPERTY OF NIECO CORPORATION. REPRODUCTION OR RELEASE WITHOUT EXPRESS PERMISSION IS PROHIBITED.</small> |
| TOLERANCES: FRACTIONAL ±1/32 ANGULAR: ±1° TWO PLACE DECIMAL ±.02 THREE PLACE DECIMAL ±.01 | | DRAWN | 6/10/03 | | |
| MATERIAL | | CHECKED | - | - | SIZE |
| SEE PARTS LIST | | FINISH | - | - | DWG. NO. |
| | | | | B | 13957 |
| | | | | | REV |
| | | | | | H |
| TITLE: ELECTRICAL INSTALLATION, N1535G | | | | | |
| SCALE: 1:1 | | | WEIGHT: 25.71 | | SHEET 1 OF 1 |

| | |
|-------------|---------|
| 14125 | 90083 |
| SIMILAR TO | USED ON |
| APPLICATION | |

8 7 6 5 4 3 2 1

| REVISIONS | | | | |
|-----------|------|--|---------|----------|
| ZONE | REV. | DESCRIPTION | DATE | APPROVED |
| | K | 1 - ITEM 24 REPLACED. WAS 13570-A. 2 - ITEM 32 DESCRIPTION CORRECTED. 3 - REVISED NOTE 3 | 4-10-06 | DC |

| REVISIONS | | | | |
|--------------------------------|------|---|----------|----------|
| ZONE | REV. | DESCRIPTION | DATE | APPROVED |
| | A | INITIAL RELEASE | 7-8-03 | DC |
| 5B | B | RELOCATE ITEM 15 | 9/25/03 | PB |
| 7C 4C 5D 4B 4B,G/N | C | ADD ITEM 38 ADD ITEM 37 UPDATE ITEM 34 TO LATEST REV ITEM 15 WAS P/N 5812 IS P/N 5833 SHOW ITEM 4 / DELETE NOTE 1 | 10/1/03 | PB |
| | D | 1-DELETED ITEM 6. 2-ITEM 31 REPLACED. WAS P/N 13771. 3-ITEM 26 REPLACED. WAS P/N 13625. | 5-14-04 | DC |
| | E | 1-ITEM 24 REPLACED. WAS P/N 13570. 2-ADDED ITEM 39. | 10-19-04 | DC |
| | F | 1-ITEM 31 REPLACED. WAS P/N 15364. 2-ITEM 11 QTY CHANGED. WAS 4X. 3-ADDED ITEM 40. | 12-9-04 | DC |
| 5C | G | ADDED ITEM 41. | 1-12-05 | PB |
| | H | ITEM 31 REPLACED. WAS 15522 | 12-5-05 | DC |
| | J | ITEM 23 REPLACED. WAS 12990. | 1-31-06 | DC |




(#1 ON DIN RAIL GUIDE CHART)

| | | | |
|------|-----------|---|----------|
| 1 | 5081 | STICKER, "POWER CONNECTIONS" | 41 |
| 1 | 11965 | CIRCUIT BREAKER, 20A | 40 |
| 1 | 16031 | TRANSFORMER, 120V PRI, 24V SEC, 5VA | 39 |
| 1 | 5830 | JAM NUT, 1/2 NPT, LIQUID TIGHT FITTING (5833) | 38 |
| 1 | 5818 | FITTING, FLEX CONDUIT, Ø3/4" STRAIGHT | 37 |
| 1 | 14021 | LABEL, BELT REVERSE, 1-3/4 X 3-1/2" | 36 |
| 1 | 14016 | BRACKET, SPARE PARTS, 2 BELT N SERIES | 35 |
| 1 | 14014 | ENCLOSURE, CONTROL BOX, 2 BELT N SERIES - WLDMT | 34 |
| 1 | 13795 | BRACKET, CAPACITOR, Ø1-3/8" | 33 |
| 1 | 13794 | CAPACITOR, 4700µF, 40 WVDC | 32 |
| 1 | 15264 | LABEL, CONTROL BOX, 2 BELT, N SERIES, BLACK | 31 |
| 1 | 13737 | SOCKET BASE, 11 PIN | 30 |
| 2 | 13727 | CONTROL, BRUSHLESS MOTOR | 29 |
| 1 | 13669 | PLATE, ACCESS COVER | 28 |
| 1 | 13668 | BRACKET, MODULAR POWER, CONTROL BOX | 27 |
| 3 | 15328 | COVER, GUARD, DIN CONTROL - ASSY | 26 |
| 2 | 13579 | SWITCH, MOTOR REVERSING | 25 |
| 1 | 13570-B | CONTROL, LOAD SENSING, 1/16 DIN, 24V | 24 |
| 1 | 16921 | CONTROL, IGNITION, 24V | 23 |
| 1 | 12725 | RECTIFIER, SINGLE PHASE BRIDGE, 25A, 200V | 22 |
| 3 | 12715 | FUSE HOLDER, INLINE | 21 |
| 3 | 12589 | BLOCK, POWER DISTRIBUTION, 8 SPADE CONNECTIONS | 20 |
| 1 | 12364 | SWITCH, ON OFF, 30A, 2 POLE | 19 |
| 1 | 10846 | FITTING, FLEX CONDUIT, 3/4 SWIVEL | 18 |
| 1 | 10529 | TRANSFORMER, 240VAC INPUT, 24 VAC A AMP OUTPUT | 17 |
| 1 | 5821 | CONDUIT, FLEXIBLE, Ø3/4" | 16 |
| 1 | 5833 | FITTING, LIQUID TIGHT, 1/2 NPT | 15 |
| 1 | 5696 | BUSHING, STRAIN RELIEF, 5/8" MOUNTING HOLE | 14 |
| 1 | 5682-05 | PLUG, HOLE, SNAP IN, 5/8" | 13 |
| 3 | 5682-04 | PLUG, HOLE, SNAP IN, 1/2" | 12 |
| 5 | 5674 | OP MOUNTING PLATE, TY-RAP | 11 |
| 1 | 5670 | GROMMET, 3/8", RUBBER | 10 |
| 1 | 4622 | BLOCK, TERMINAL, 3 POLE, 90A, 600V | 9 |
| 2 | 4621-02 | FUSE, 2 AMP | 8 |
| 4 | 4621-0050 | FUSE, .5 AMP | 7 |
| + | 4401 | INDICATOR LIGHT, AMBER, 28V | 6 |
| 1 | 4224-1 | GROUND LUG GAS BROILERS (#TA-2) | 5 |
| 1 | 4207 | POWER CORD, 7 FT | 4 |
| 3 | 4159-1 | RAIL, DIN | 3 |
| 2 | 4136 | SCR BASE | 2 |
| 1 | 4100 | LIGHT, RED W/WIRES, MAIN (250V) | 1 |
| QTY. | PART NO. | DESCRIPTION | ITEM NO. |

NOTE:
 1 - SEE WIRING DIAGRAM 14208 FOR LOCATION OF ITEMS 7, 8, & 21
 2 - QTY 1 OF ITEM 8 AND QTY 2 OF ITEM 7 TO BE PLACED IN CONTROL BOX AS SPARES.
 3 - CUT 1 LENGTH OF ITEM 3 TO APPROX. DIMENSION

UNLESS OTHERWISE SPECIFIED DIMS ARE IN INCHES

| | | | | |
|---|---------|---------|---|--|
| TOLERANCES: FRACTIONAL ±1/32 ANGULAR: ±1° TWO PLACE DECIMAL ±.02 THREE PLACE DECIMAL ±.01 | DATE | NAME |  (707) 284-7100 (707) 284-7430 FAX WINDSOR, CA 95492-8594 | THIS DOCUMENT IS THE PROPERTY OF NIICO CORPORATION. REPRODUCTION OR RELEASE WITHOUT EXPRESS PERMISSION IS PROHIBITED. |
| MATERIAL | DRAWN | 6-27-03 | | |
| SEE PARTS LIST | CHECKED | 7-8-03 | DC | SIZE B |
| | FINISH | ---- | | DWG. NO. 14303 |
| | | | | REV K |

TITLE: CONTROL BOX, 2 BELT N, 115 V, RF - ASSY

| | | | |
|-------------|---------|------------|---------------|
| 13933 | 14125 | | |
| SIMILAR TO | USED ON | | |
| APPLICATION | | SCALE: 1:2 | WEIGHT: 21.19 |
| | | | SHEET 1 OF 1 |

8 7 6 5 4 3 2 1

8

7

6

5

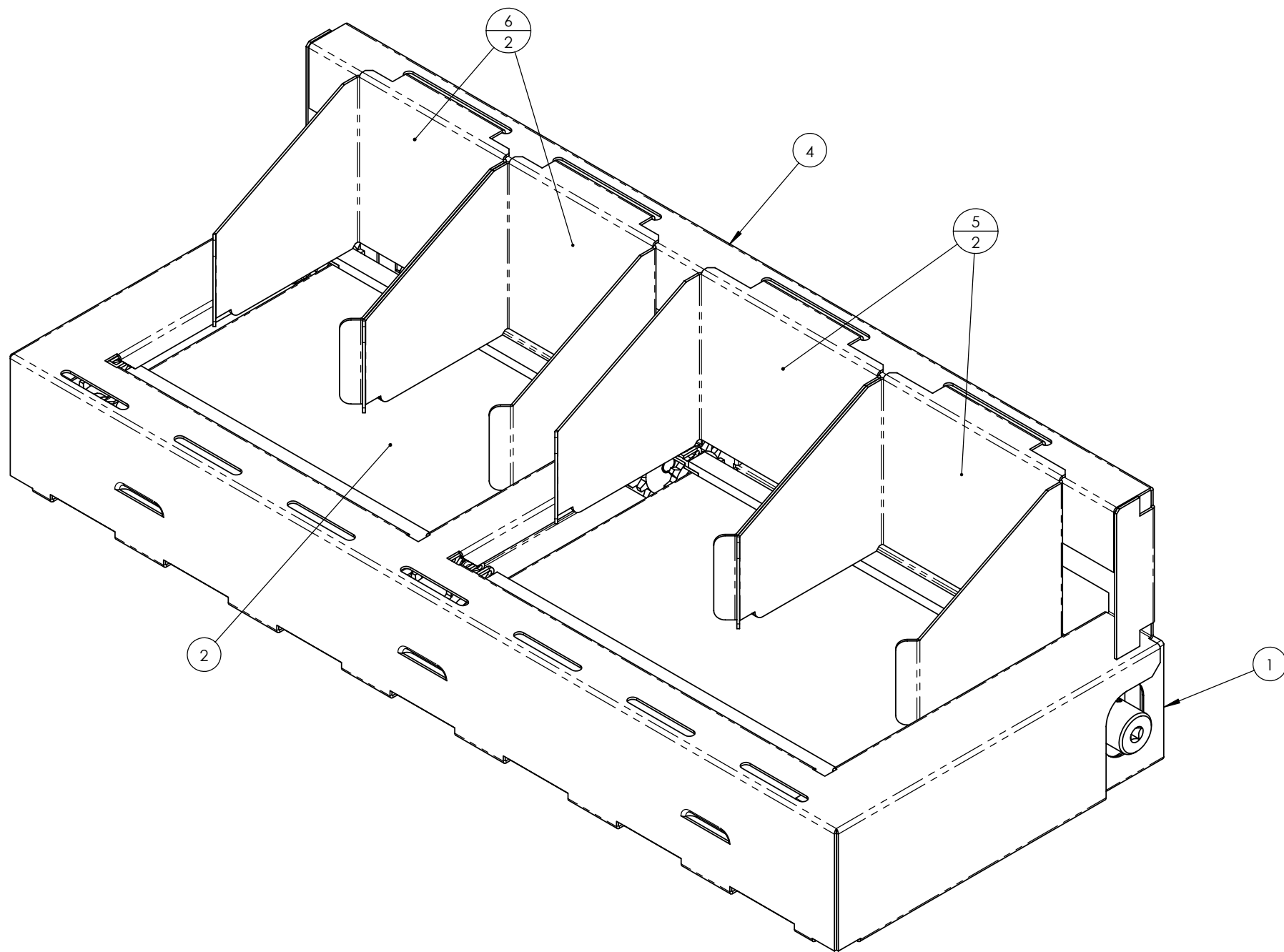
4

3

2


1

| REVISIONS | | | | |
|-----------|------|-----------------|--------|----------|
| ZONE | REV. | DESCRIPTION | DATE | APPROVED |
| | A | INITIAL RELEASE | 3-2-04 | VS |



| QTY. | PART NO. | DESCRIPTION | ITEM NO. |
|------|----------|--|----------|
| 2 | 14938 | DIVIDER, PATTY, FEEDER, 10" ROD BELT, 1/2" GAP | 6 |
| 2 | 14937 | DIVIDER, PATTY, FEEDER, 12" ROD BELT, 1/2" GAP | 5 |
| 1 | 14936 | COVER, FEEDER, 10 & 12 PUSH-BAR | 4 |
| 1 | 14930 | DRIVE UNIT, BOTTOM MOUNT, 12" ROD BELT - ASSY | 3 |
| 1 | 14917 | DRIVE UNIT, BOTTOM MOUNT, 10" ROD BELT | 2 |
| 1 | 14911 | ENCLOSURE, FEEDER, 10 & 12 PUSH-BAR - WLDMT | 1 |

UNLESS OTHERWISE SPECIFIED DIMS ARE IN INCHES

| | | | | |
|---|-----------------------------------|------------|--|--|
| TOLERANCES: FRACTIONAL ±1/32 ANGULAR: ±1° TWO PLACE DECIMAL ±.02 THREE PLACE DECIMAL ±.01 | DATE 3-1-04 | NAME CJ |  <small>(707) 284-7100 (707) 284-7430 FAX WINDSOR, CA 95492-8594</small> | <small>THIS DOCUMENT IS THE PROPERTY OF NIECO CORPORATION. REPRODUCTION OR RELEASE WITHOUT EXPRESS PERMISSION IS PROHIBITED.</small> |
| MATERIAL SEE PARTS LIST | FINISH BURR STANDARD CLASS "B" | SIZE B | | |

TITLE: FEEDER, 10 & 12 PUSH-BAR - ASSY

| | | | | |
|-------------|---------|------------|---------|--------------|
| SIMILAR TO | USED ON | SCALE: 1:8 | WEIGHT: | SHEET 1 OF 1 |
| APPLICATION | | | | |

8

7

6

5

4

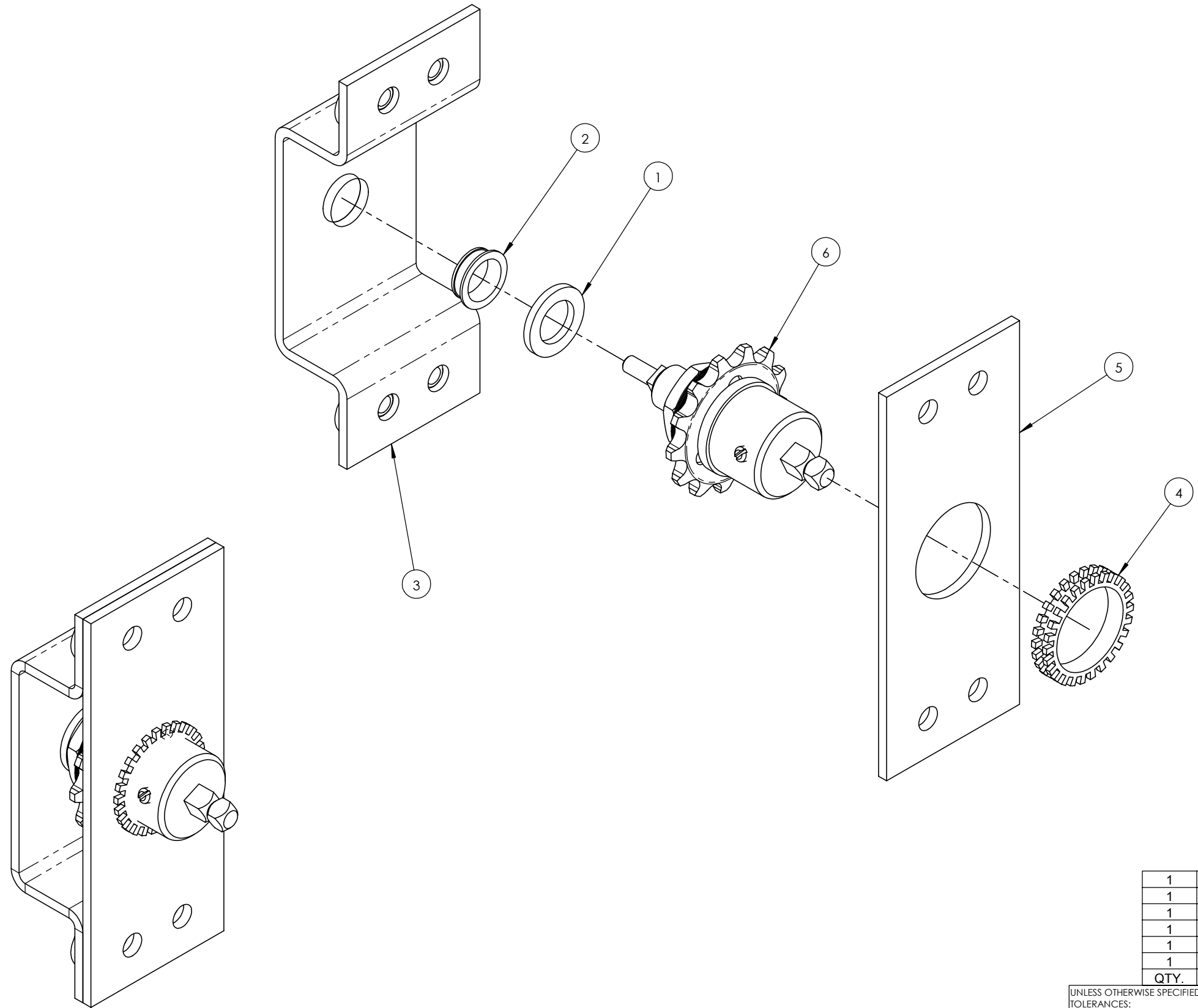
3

2

1

8 7 6 5 4 3 2 1

| REVISIONS | | | | |
|-----------|------|-----------------|--------|----------|
| ZONE | REV. | DESCRIPTION | DATE | APPROVED |
| | A | INITIAL RELEASE | 8-8-04 | DC |



| QTY. | PART NO. | DESCRIPTION | ITEM NO. |
|------|----------|---|----------|
| 1 | 14900 | SPROCKET, CLUTCHED, 13T, BELLEVILLE SPRING | 6 |
| 1 | 14897 | PLATE, LARGE BEARING, FEEDER DRIVE | 5 |
| 1 | 14896 | BEARING, SHOULDER WASHER, LARGE, FEEDER DRIVE | 4 |
| 1 | 10640 | BRACKET, BEARING, FEEDER DRIVE - WLDMT | 3 |
| 1 | 10627 | BEARING CLIP, Ø1/2" ID, .12 THK | 2 |
| 1 | 10275 | WASHER, THRUST, 1/2 ID, 13/16 OD, .090 THK | 1 |

UNLESS OTHERWISE SPECIFIED DIMS ARE IN INCHES

| | | | | |
|--------------------------|---------|--------|--|---|
| TOLERANCES: | DATE | NAME | <small>(707) 284-7100 (707) 284-7430 FAX WINDSOR, CA 95492-8594</small> | <small>THIS DOCUMENT IS THE PROPERTY OF NIECO CORPORATION. REPRODUCTION OR RELEASE WITHOUT EXPRESS PERMISSION IS PROHIBITED.</small> |
| FRACTIONAL ±1/32 | DRAWN | 8-3-04 | | |
| ANGULAR: ±1° | CHECKED | 8-8-04 | DC | |
| TWO PLACE DECIMAL ±.02 | FINISH | | | |
| THREE PLACE DECIMAL ±.01 | | | | |

SEE PARTS LIST

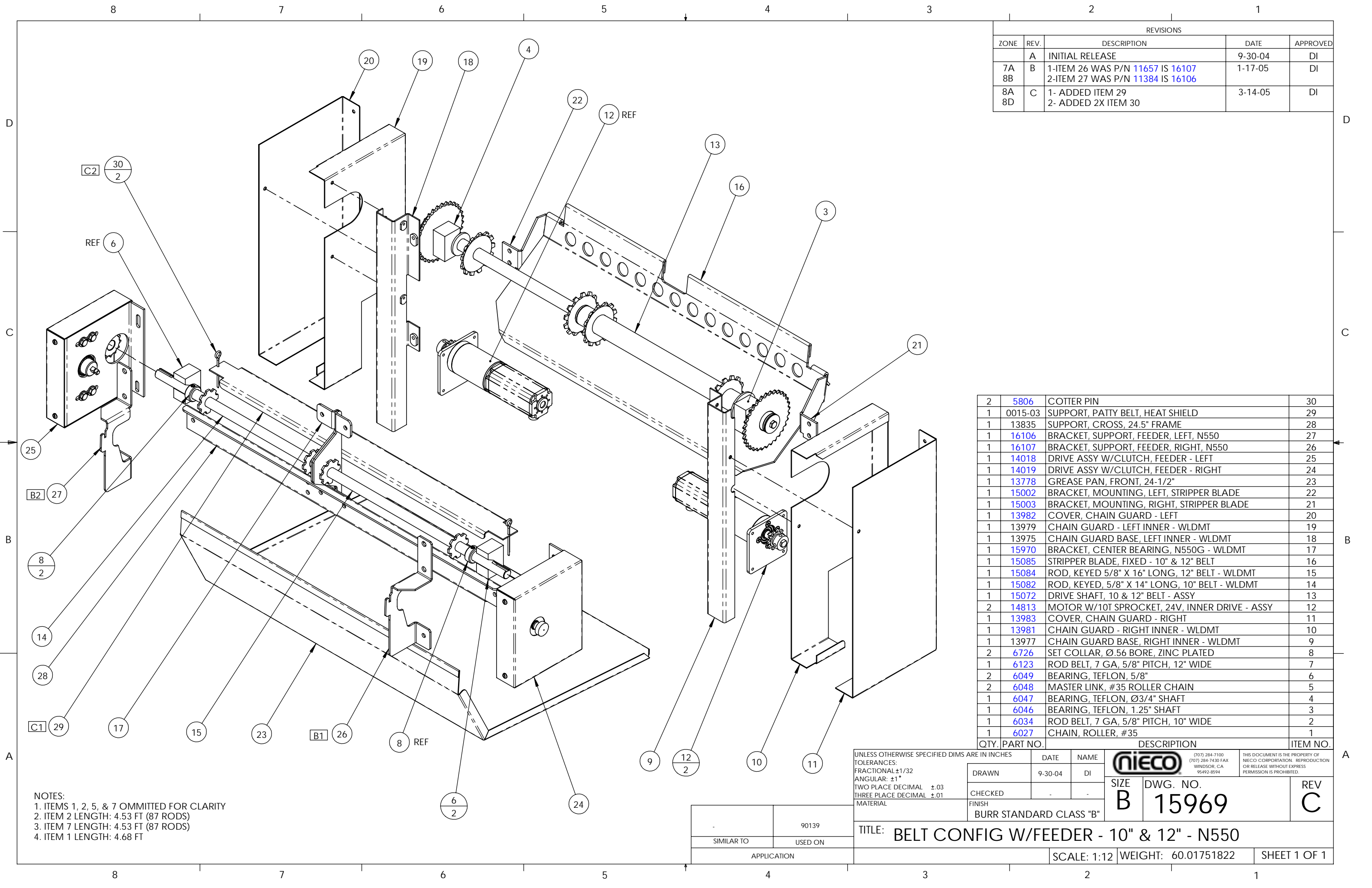
SIZE **B** DWG. NO. **15882** REV **A**

TITLE: FEEDER DRIVE, COMBO CLUTCH - ASSY

SCALE: 1:1 WEIGHT: 0.794 SHEET 1 OF 1

| | | |
|-------------|-------------------------|----------------|
| 14297 | 14170 14300 14507 | 14635 14680 |
| SIMILAR TO | USED ON | |
| APPLICATION | | |

8 7 6 5 4 3 2 1



| REVISIONS | | | | |
|-----------|------|--|---------|----------|
| ZONE | REV. | DESCRIPTION | DATE | APPROVED |
| | A | INITIAL RELEASE | 9-30-04 | DI |
| 7A 8B | B | 1-ITEM 26 WAS P/N 11657 IS 16107 2-ITEM 27 WAS P/N 11384 IS 16106 | 1-17-05 | DI |
| 8A 8D | C | 1- ADDED ITEM 29 2- ADDED 2X ITEM 30 | 3-14-05 | DI |

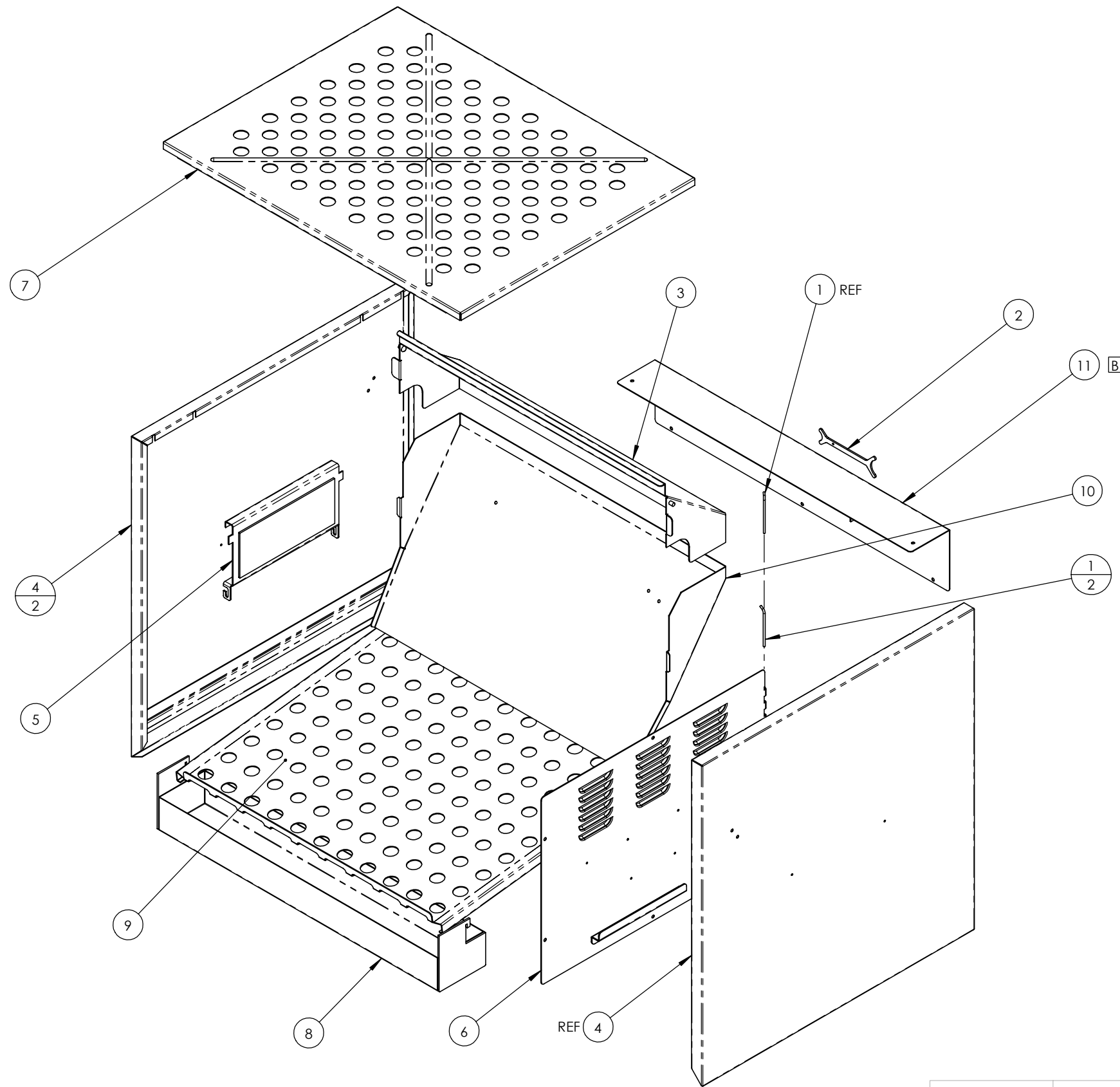
| QTY. | PART NO. | DESCRIPTION | ITEM NO. |
|------|----------|---|----------|
| 2 | 5806 | COTTER PIN | 30 |
| 1 | 0015-03 | SUPPORT, PATTY BELT, HEAT SHIELD | 29 |
| 1 | 13835 | SUPPORT, CROSS, 24.5" FRAME | 28 |
| 1 | 16106 | BRACKET, SUPPORT, FEEDER, LEFT, N550 | 27 |
| 1 | 16107 | BRACKET, SUPPORT, FEEDER, RIGHT, N550 | 26 |
| 1 | 14018 | DRIVE ASSY W/CLUTCH, FEEDER - LEFT | 25 |
| 1 | 14019 | DRIVE ASSY W/CLUTCH, FEEDER - RIGHT | 24 |
| 1 | 13778 | GREASE PAN, FRONT, 24-1/2" | 23 |
| 1 | 15002 | BRACKET, MOUNTING, LEFT, STRIPPER BLADE | 22 |
| 1 | 15003 | BRACKET, MOUNTING, RIGHT, STRIPPER BLADE | 21 |
| 1 | 13982 | COVER, CHAIN GUARD - LEFT | 20 |
| 1 | 13979 | CHAIN GUARD - LEFT INNER - WLDMT | 19 |
| 1 | 13975 | CHAIN GUARD BASE, LEFT INNER - WLDMT | 18 |
| 1 | 15970 | BRACKET, CENTER BEARING, N550G - WLDMT | 17 |
| 1 | 15085 | STRIPPER BLADE, FIXED - 10" & 12" BELT | 16 |
| 1 | 15084 | ROD, KEYED 5/8" X 16" LONG, 12" BELT - WLDMT | 15 |
| 1 | 15082 | ROD, KEYED, 5/8" X 14" LONG, 10" BELT - WLDMT | 14 |
| 1 | 15072 | DRIVE SHAFT, 10 & 12" BELT - ASSY | 13 |
| 2 | 14813 | MOTOR W/10T SPROCKET, 24V, INNER DRIVE - ASSY | 12 |
| 1 | 13983 | COVER, CHAIN GUARD - RIGHT | 11 |
| 1 | 13981 | CHAIN GUARD - RIGHT INNER - WLDMT | 10 |
| 1 | 13977 | CHAIN GUARD BASE, RIGHT INNER - WLDMT | 9 |
| 2 | 6726 | SET COLLAR, Ø.56 BORE, ZINC PLATED | 8 |
| 1 | 6123 | ROD BELT, 7 GA, 5/8" PITCH, 12" WIDE | 7 |
| 2 | 6049 | BEARING, TEFLON, 5/8" | 6 |
| 2 | 6048 | MASTER LINK, #35 ROLLER CHAIN | 5 |
| 1 | 6047 | BEARING, TEFLON, Ø3/4" SHAFT | 4 |
| 1 | 6046 | BEARING, TEFLON, 1.25" SHAFT | 3 |
| 1 | 6034 | ROD BELT, 7 GA, 5/8" PITCH, 10" WIDE | 2 |
| 1 | 6027 | CHAIN, ROLLER, #35 | 1 |

NOTES:
 1. ITEMS 1, 2, 5, & 7 OMMITTED FOR CLARITY
 2. ITEM 2 LENGTH: 4.53 FT (87 RODS)
 3. ITEM 7 LENGTH: 4.53 FT (87 RODS)
 4. ITEM 1 LENGTH: 4.68 FT

| | | | | | |
|---|--|-------------------------|------|--|---|
| UNLESS OTHERWISE SPECIFIED DIMS ARE IN INCHES | | DATE | NAME | <small>(707) 284-7100 (707) 284-7430 FAX WINDSOR, CA 95492-8594</small> | <small>THIS DOCUMENT IS THE PROPERTY OF NIECO CORPORATION. REPRODUCTION OR RELEASE WITHOUT EXPRESS PERMISSION IS PROHIBITED.</small> |
| TOLERANCES: FRACTIONAL ±1/32 ANGULAR: ±1° TWO PLACE DECIMAL ±.03 THREE PLACE DECIMAL ±.01 | | 9-30-04 | DI | | |
| MATERIAL | | FINISH | SIZE | DWG. NO. | REV |
| 90139 | | BURR STANDARD CLASS "B" | B | 15969 | C |
| TITLE: BELT CONFIG W/FEEDER - 10" & 12" - N550 | | SCALE: 1:12 | | WEIGHT: 60.01751822 | SHEET 1 OF 1 |

| | |
|-------------|---------|
| SIMILAR TO | USED ON |
| | |
| APPLICATION | |

| REVISIONS | | | | |
|-----------|------|-----------------|----------|----------|
| ZONE | REV. | DESCRIPTION | DATE | APPROVED |
| | A | INITIAL RELEASE | 9-30-04 | DI |
| 4C | B | ADDED ITEM 11 | 11-03-04 | DI |



| QTY. | PART NO. | DESCRIPTION | ITEM NO. |
|------|----------|--|----------|
| 1 | 13993 | COVER, MOTOR ENCLOSURE - WLDMT | 11 |
| 1 | 15454 | SLIDE, RETURN FLOW, NON-DIVIDED - WLDMT | 10 |
| 1 | 15455 | PAN, GREASE DRAIN, PERFORATED, RETURN FLOW | 9 |
| 1 | 15572 | PAN, GREASE, DRIP, 550 SERIES - WLDMT | 8 |
| 1 | 15005 | TOP COVER, PERFORATED - 19" X 24.5" FRAME | 7 |
| 1 | 13984 | COVER, CONTROL BOX, 14.88 X 20.49" - WLDMT | 6 |
| 1 | 13905 | DOOR, HINGED BURNER ACCESS - WLDMT | 5 |
| 2 | 13763 | PANEL, SIDE, 25.0 L X 25.5 H - WLDMT | 4 |
| 1 | 12861 | AWNING, DISCHARGE, PIVOTING, 24-1/2" - WLDMT | 3 |
| 1 | 9128 | TOOL, SHAFT CLEANING | 2 |
| 2 | 4448-03 | HINGE PIN | 1 |

UNLESS OTHERWISE SPECIFIED DIMS ARE IN INCHES

TOLERANCES:
 FRACTIONAL ±1/32
 ANGULAR: ±1°
 TWO PLACE DECIMAL ±.02
 THREE PLACE DECIMAL ±.01
 MATERIAL

| DATE | NAME |
|-----------------------------------|------|
| DRAWN 9-30-04 | DI |
| CHECKED - | - |
| FINISH BURR STANDARD CLASS "B" | |



SIZE DWG. NO.
B 15972

THIS DOCUMENT IS THE PROPERTY OF
 NIICO CORPORATION. REPRODUCTION
 OR RELEASE WITHOUT EXPRESS
 PERMISSION IS PROHIBITED.

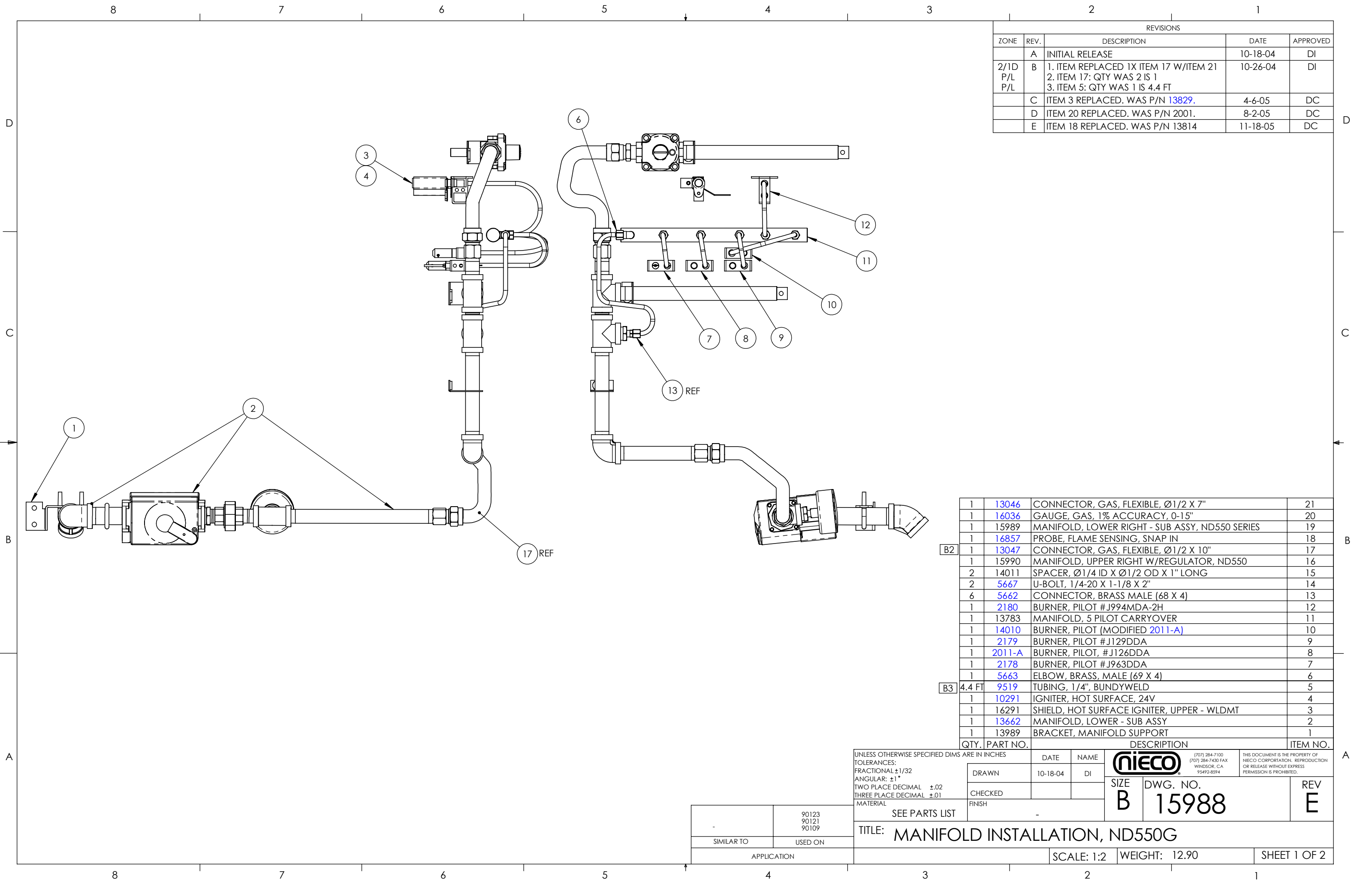
REV
B

| | |
|-------------|---------|
| 15575 | 90139 |
| SIMILAR TO | USED ON |
| APPLICATION | |

TITLE: SHIELDS, PANS, ETC., N550G, FEEDER, RF

SCALE: 1:24 WEIGHT:

SHEET 1 OF 1



| REVISIONS | | | | |
|--------------------|------|---|----------|----------|
| ZONE | REV. | DESCRIPTION | DATE | APPROVED |
| | A | INITIAL RELEASE | 10-18-04 | DI |
| 2/1D P/L P/L | B | 1. ITEM REPLACED 1X ITEM 17 W/ITEM 21 2. ITEM 17: QTY WAS 2 IS 1 3. ITEM 5: QTY WAS 1 IS 4.4 FT | 10-26-04 | DI |
| | C | ITEM 3 REPLACED. WAS P/N 13829. | 4-6-05 | DC |
| | D | ITEM 20 REPLACED. WAS P/N 2001. | 8-2-05 | DC |
| | E | ITEM 18 REPLACED. WAS P/N 13814 | 11-18-05 | DC |

| QTY. | PART NO. | DESCRIPTION | ITEM NO. |
|------|-------------|--|----------|
| 1 | 13046 | CONNECTOR, GAS, FLEXIBLE, Ø1/2 X 7" | 21 |
| 1 | 16036 | GAUGE, GAS, 1% ACCURACY, 0-15" | 20 |
| 1 | 15989 | MANIFOLD, LOWER RIGHT - SUB ASSY, ND550 SERIES | 19 |
| 1 | 16857 | PROBE, FLAME SENSING, SNAP IN | 18 |
| B2 | 13047 | CONNECTOR, GAS, FLEXIBLE, Ø1/2 X 10" | 17 |
| 1 | 15990 | MANIFOLD, UPPER RIGHT W/REGULATOR, ND550 | 16 |
| 2 | 14011 | SPACER, Ø1/4 ID X Ø1/2 OD X 1" LONG | 15 |
| 2 | 5667 | U-BOLT, 1/4-20 X 1-1/8 X 2" | 14 |
| 6 | 5662 | CONNECTOR, BRASS MALE (68 X 4) | 13 |
| 1 | 2180 | BURNER, PILOT #J994MDA-2H | 12 |
| 1 | 13783 | MANIFOLD, 5 PILOT CARRYOVER | 11 |
| 1 | 14010 | BURNER, PILOT (MODIFIED 2011-A) | 10 |
| 1 | 2179 | BURNER, PILOT #J129DDA | 9 |
| 1 | 2011-A | BURNER, PILOT, #J126DDA | 8 |
| 1 | 2178 | BURNER, PILOT #J963DDA | 7 |
| 1 | 5663 | ELBOW, BRASS, MALE (69 X 4) | 6 |
| B3 | 4.4 FT 9519 | TUBING, 1/4", BUNDYWELD | 5 |
| 1 | 10291 | IGNITER, HOT SURFACE, 24V | 4 |
| 1 | 16291 | SHIELD, HOT SURFACE IGNITER, UPPER - WLDMT | 3 |
| 1 | 13662 | MANIFOLD, LOWER - SUB ASSY | 2 |
| 1 | 13989 | BRACKET, MANIFOLD SUPPORT | 1 |

UNLESS OTHERWISE SPECIFIED DIMS ARE IN INCHES

TOLERANCES:
 FRACTIONAL ±1/32
 ANGULAR: ±1°
 TWO PLACE DECIMAL ±.02
 THREE PLACE DECIMAL ±.01

MATERIAL: SEE PARTS LIST

| | | | |
|--------|----------|---------|----|
| DATE | 10-18-04 | NAME | DI |
| DRAWN | | CHECKED | |
| FINISH | | | |

SIZE: B DWG. NO.: 15988 REV: E

TITLE: MANIFOLD INSTALLATION, ND550G

SCALE: 1:2 WEIGHT: 12.90 SHEET 1 OF 2

| | |
|-------------|-------------------------|
| | 90123 90121 90109 |
| SIMILAR TO | USED ON |
| APPLICATION | |

(707) 284-7100
 (707) 284-7430 FAX
 WINDSOR, CA
 95492-8594

THIS DOCUMENT IS THE PROPERTY OF NIECO CORPORATION. REPRODUCTION OR RELEASE WITHOUT EXPRESS PERMISSION IS PROHIBITED.

8 7 6 5 4 3 2 1

D

D

C

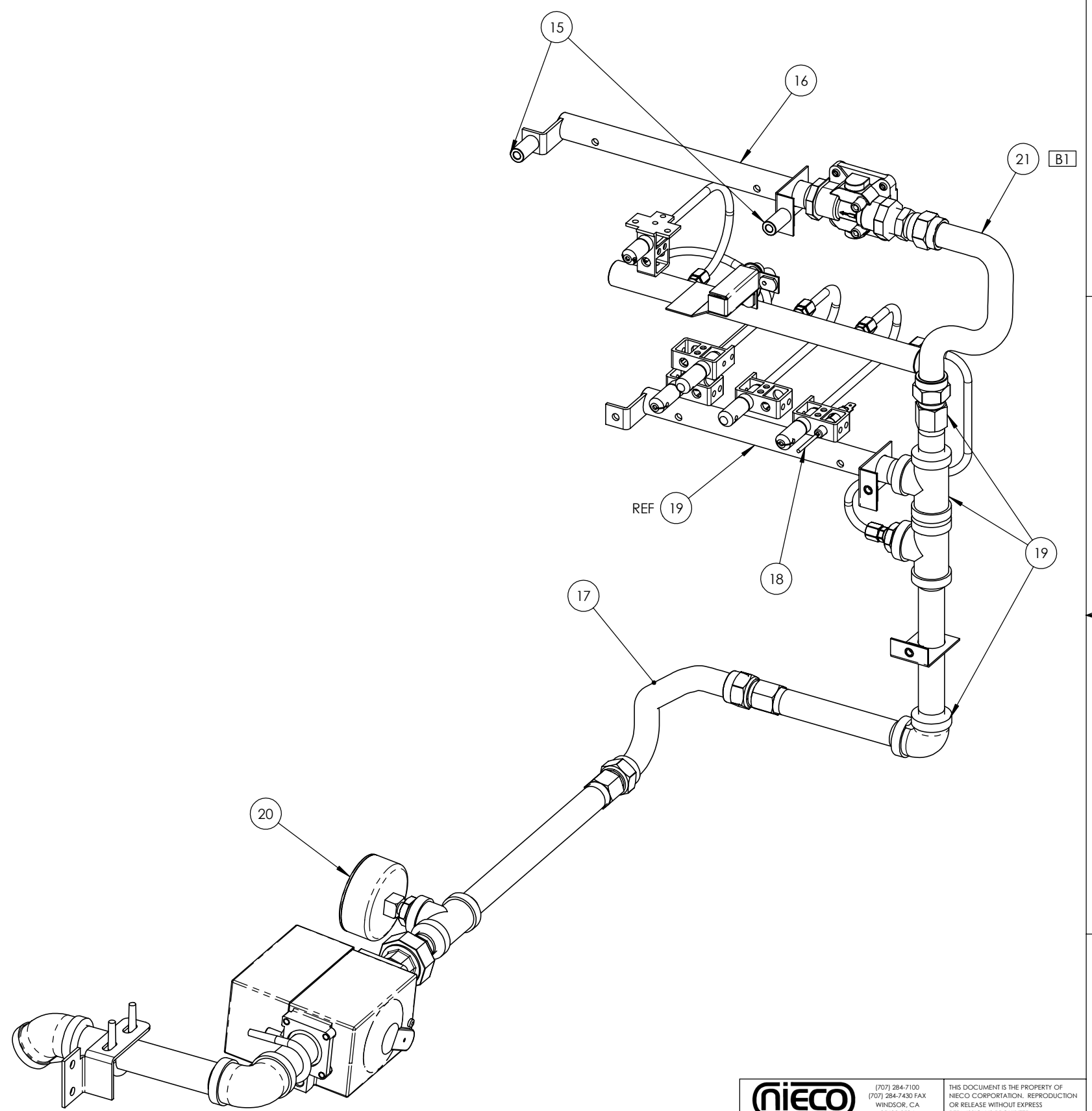
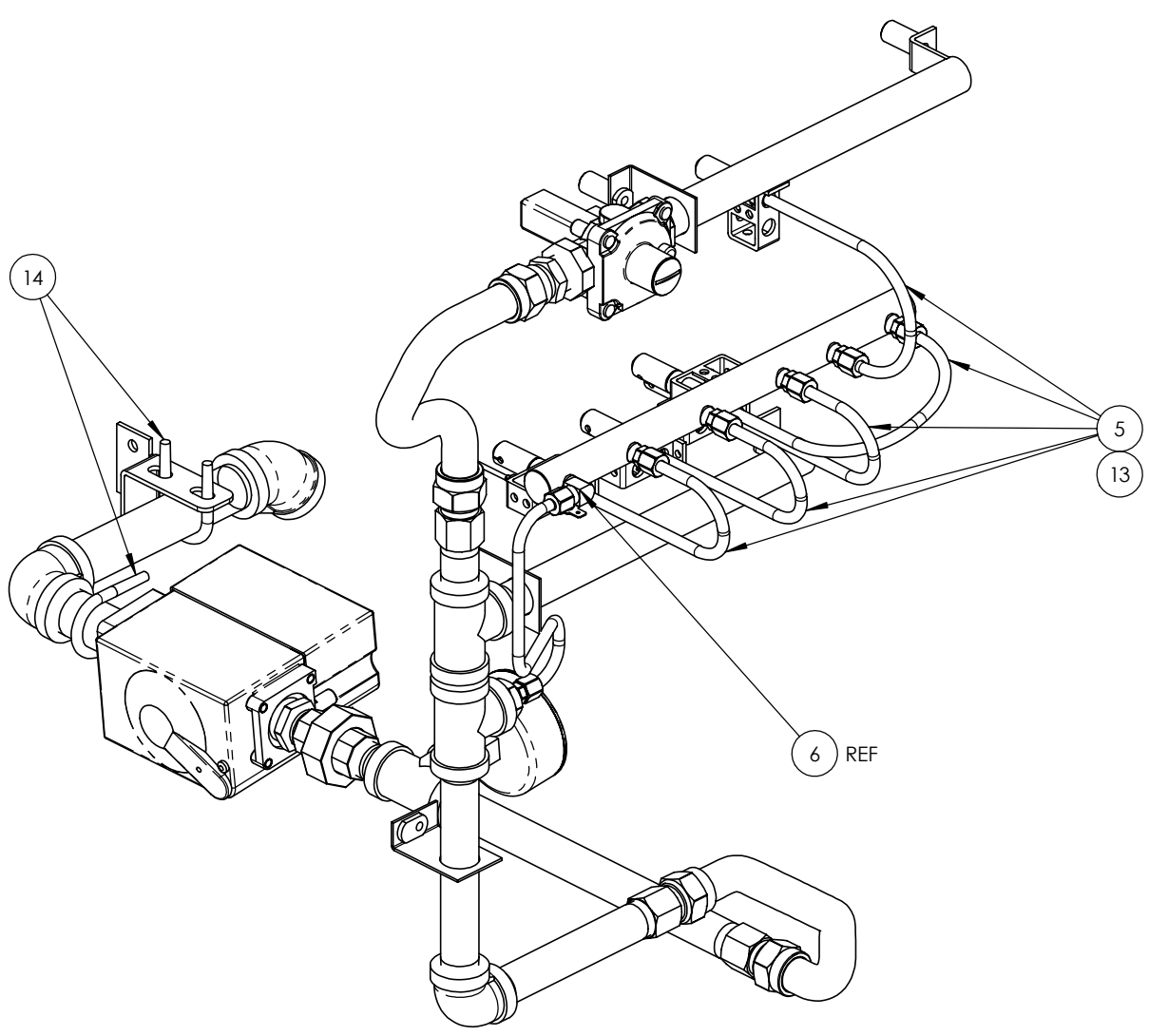
C

B

B

A

A



| | | | |
|------------------|--------------------------|---|--|
| niECO | | (707) 284-7100 (707) 284-7430 FAX WINDSOR, CA 95492-8594 | THIS DOCUMENT IS THE PROPERTY OF niECO CORPORATION. REPRODUCTION OR RELEASE WITHOUT EXPRESS PERMISSION IS PROHIBITED. |
| SIZE B | DWG. NO. 15988 | REV E | |

| | | |
|--------------------------------------|---------------|--------------|
| TITLE: MANIFOLD INSTALLATION, ND550G | | |
| SCALE: 1:2 | WEIGHT: 12.90 | SHEET 2 OF 2 |

8 7 6 5 4 3 2 1