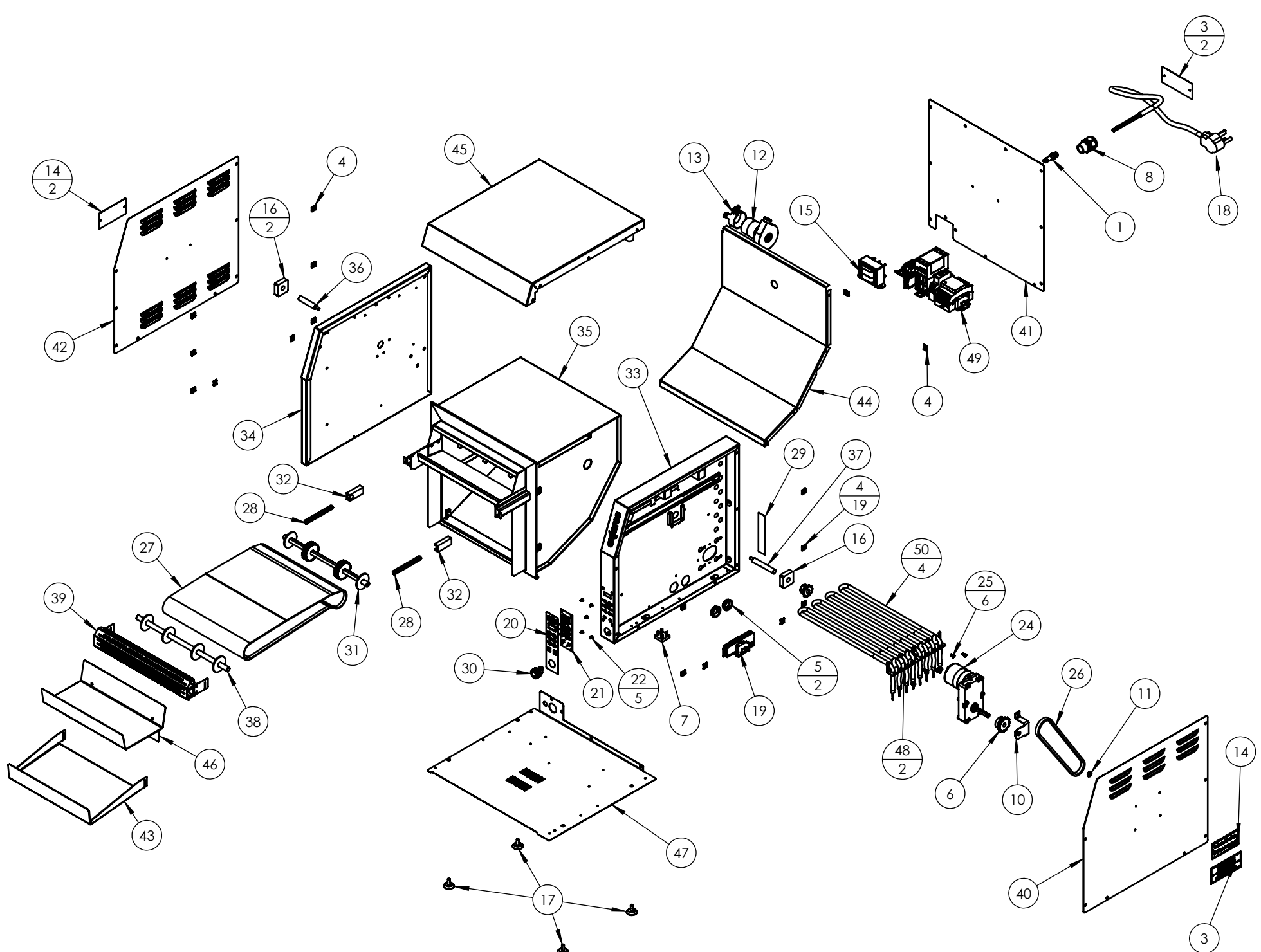


8 7 6 5 4 3 2 1

D
C
B
A



REVISIONS					
ECR	ZONE	REV.	DESCRIPTION	DATE	APPROVED
		A	INITIAL RELEASE	2-13-12	AT
		B	OVERALL WIDTH REDUCED BY .1875"	4-05-12	AT
		C	OPTIMISED FOR MANUFACTURING	6-15-12	AT
2499		D	1- REPLACED P/N 22786 WITH P/N 18447 2- REMOVED P/N 22583 3- ADDED P/N 18716	10-17-12	KK/CS
2524		E	1- REPLACED P/N 6007 WITH P/N 17899 2- REPLACED P/N 22761 WITH P/N 23476 3- REVISED TOASTER	11-28-12	SA/CS

QTY.	PART NO.	DESCRIPTION	ITEM NO.
4	23476	ELEMENT, TOASTER, 2 LANE, 1200W, 208V	50
1	22764	ELECTRICAL, BACK, ASM	49
2	22760	BRACKET, HOLDER, ELEMENTS	48
1	22701	COVER, BOTTOM	47
1	22700	TRAY REFLECTOR, WLDMT	46
1	22697	TOP COVER, WLDMT	45
1	22692	BASE, BACK, SHELL	44
1	22691	TRAY, OUTLET	43
1	22690	COVER, LEFT SIDE	42
1	22689	COVER, BACK	41
1	22688	COVER, RIGHT SIDE	40
1	22687	GUARD, FRONT, CONVEYOR, WLDMT	39
1	22684	SHAFT, FRONT, WLDMT	38
1	22682	EXTENSION, RIGHT, DRIVE SHAFT	37
1	22681	EXTENSION, LEFT, DRIVE SHAFT	36
1	22657	SHELL, MAIN, ASM	35
1	22654	PANEL, SIDE, LEFT, WLDMT	34
1	22653	PANEL, SIDE, RGHT, WLDMT	33
2	22059	BEARING, FRONT SHAFT	32
1	22039	SHAFT, REAR, DRIVE, ASM, 12" TSTR	31
1	21830	SWITCH, PUSHBUTTON, 22MM, GREEN DOT, 2 POLE	30
1	21814	NAME PLATE, TOASTER, NIECO	29
2	21748	SPRING, 3.75", SS, .072 W. DIA., .5 OD, 4.8 COILS-INCH	28
1	21745	WIREBELT, FF, 42X.050 (.375IN PITCH), 12.00W, 3SP, SLE, SS, 31.8" LENGTH	27
1	21592	CHAIN DRIVE, 24" LENGTH, 64 LINKS	26
6	21097	18-8 SS SHEET METAL SCREW, #8, .375" LONG	25
1	21094	GEAR MOTOR, 24V, BRUSHLESS, 11.5 RPM	24
1	21090	HARNES	23
5	21089	18-8 SS MACHINE SCREW, #6-32, .375" LONG	22
1	21073	BOARD, CONTROL	21
1	21072	OVERLAY PANEL, DIGITAL CONTROLS, T.H.	20
1	21070	ELECTRICAL, SIDE, ASM	19
1	21065	CORD, POWER, 10-3, W-6-30 PLUG, 6'	18
4	21064	FOOT, MC2284T51	17
2	21063	BEARING, SHAFT, SIDE PANEL	16
1	20371	TRANSFORMER, 115-230V PRI, 36V SEC	15
2	18719	PLATE, PATENT PENDING, U.S. & FOREIGN	14
1	18716	BRACKET, MOUNTING, BLOWER	13
1	18447	BLOWER, HIGH PRESSURE, 24VDC, 2 WIRE	12
1	17907	BEARING, SLEEVE, 3/8", SNAP-IN	11
1	17906	BRACKET, SUPPORT, 3/8" MOTOR SHAFT	10
1	17899	SPROCKET, 35B10, 3/8" BORE	9
1	15260	FITTING, LIQUID TIGHT, STRAIGHT, .75 NPT	8
1	12725	RECTIFIER, SINGLE PHASE BRIDGE, 25A, 200V	7
1	6514	SPROCKET, 35B13, .375" BORE	6
2	5801	BUSHING T&B #3211	5
19	5699	NUT, SPEED, 8-32	4
2	5036	PLATE, DANGER HIGH VOLTAGE	3
1	4621-0050	FUSE, .5 AMP	2
1	4603	FUSE HOLDER, 5 X 20MM, TYPE FPG UL/CSA	1

UNLESS OTHERWISE SPECIFIED DIMS ARE IN INCHES

TOLERANCES: FRACTIONAL ±1/32 ANGULAR: ±1° TWO PLACE DECIMAL ±.03 THREE PLACE DECIMAL ±.01	DATE	NAME	 <small>(707) 284-7100 (707) 284-7430 FAX WINDSOR, CA 95492-8594</small>	<small>THIS DOCUMENT IS THE PROPERTY OF NIECO CORPORATION. REPRODUCTION OR RELEASE WITHOUT EXPRESS PERMISSION IS PROHIBITED.</small>	
MATERIAL	DRAWN	AT			SIZE
SEE PARTS LIST	CHECKED	AT	B	90357	E
TITLE: TOASTER, 208V, 12" BELT			SCALE: 1:12	WEIGHT: 96.28	SHEET 1 OF 2

SIMILAR TO	USED ON
APPLICATION	

8 7 6 5 4 3 2 1

8

7

6

5

4

3

2

1

D

C

B

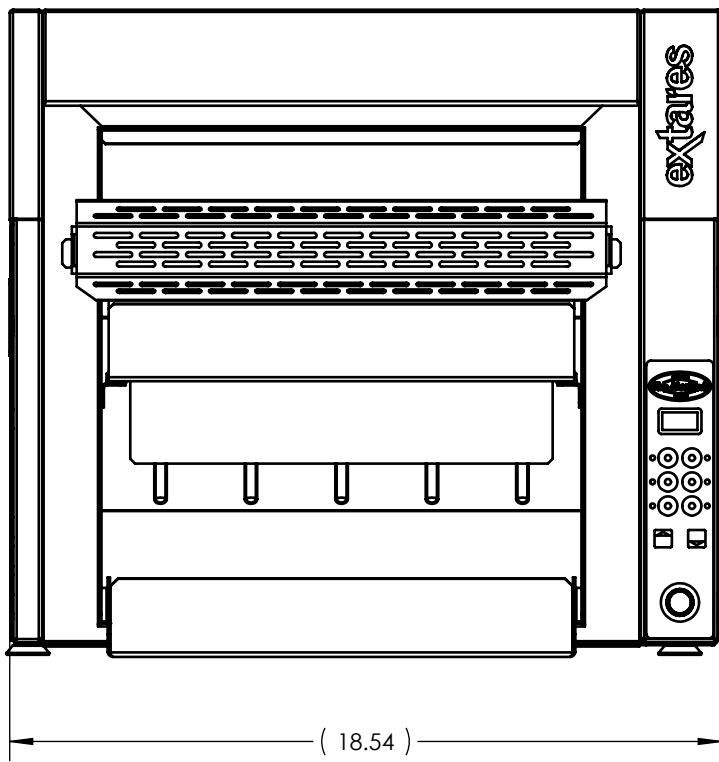
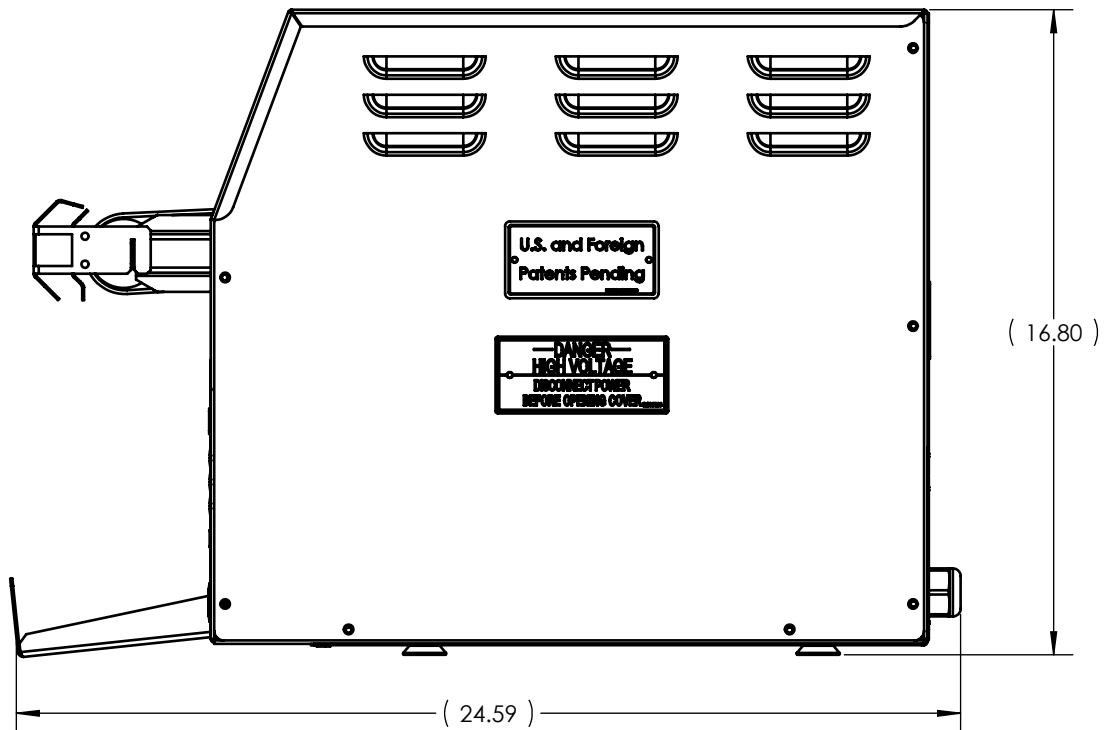
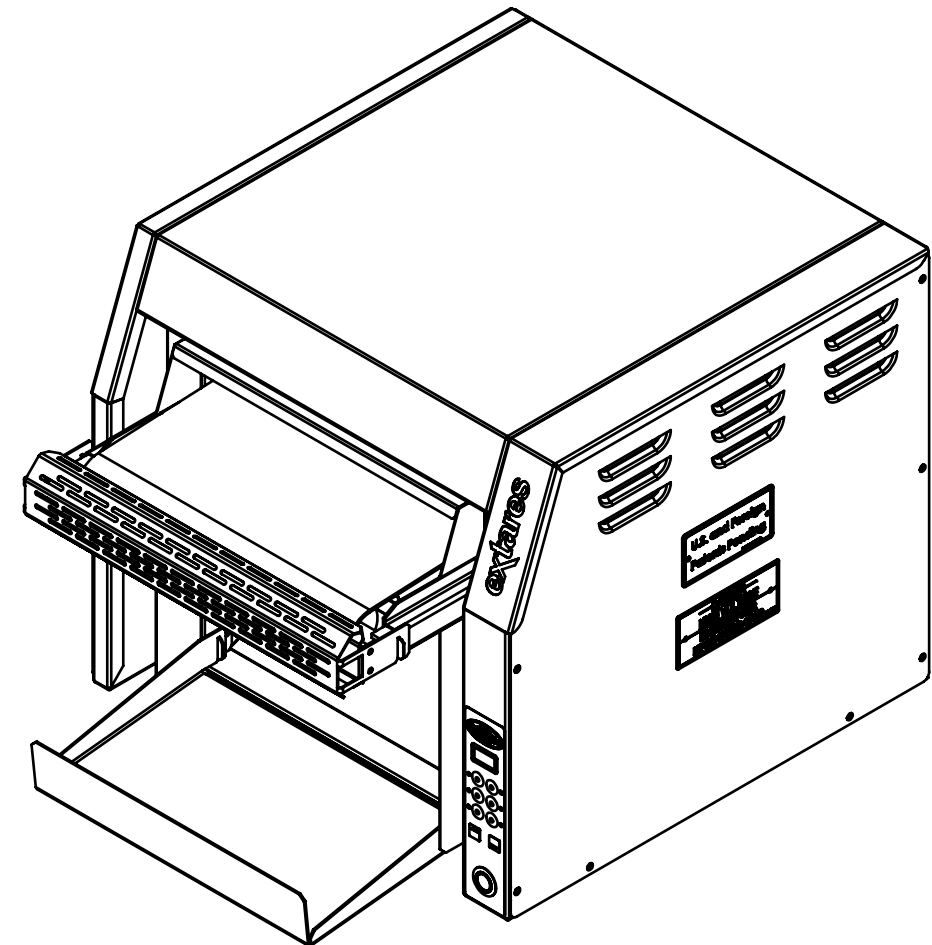
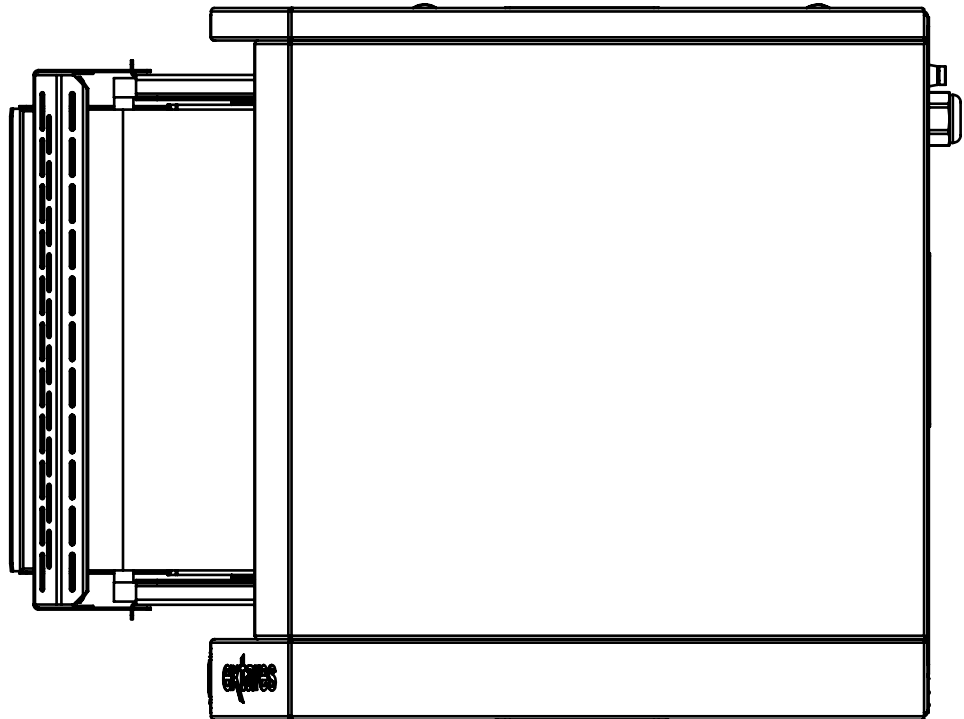
A

D

C

B

A



niECO		(707) 284-7100 (707) 284-7430 FAX WINDSOR, CA 95492-8594	THIS DOCUMENT IS THE PROPERTY OF NIECO CORPORATION. REPRODUCTION OR RELEASE WITHOUT EXPRESS PERMISSION IS PROHIBITED.
SIZE B	DWG. NO. 90357	REV E	

TITLE: TOASTER, 208V, 12" BELT			
SCALE: 1:5	WEIGHT: 96.28	SHEET 2 OF 2	

8

7

6

5

4

3

2

1