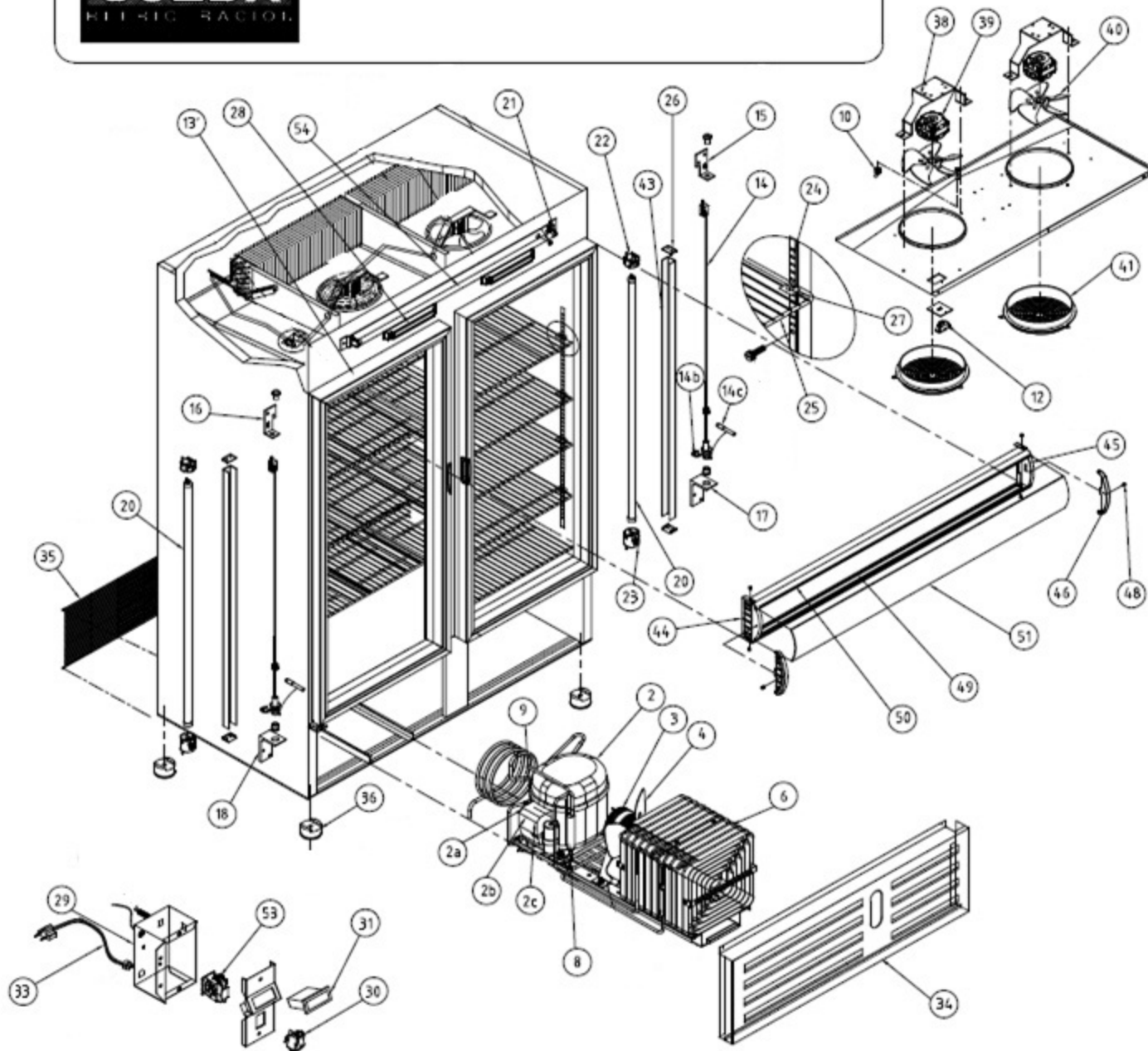


OJEDA
REFRIG. RACIOL

PARTS LIST FOR MODEL



RV2P36
GLASS DOOR COOLER
Parts List

	Part#	Description
2	100397071	DANFOSS COMPRESSOR NF11FX2
2	100397042	COMPRESSOR EMBRACO FFU130HAK
2a	100517064	Start Capacitor, Danfoss, NF11FX2
2a	100517034	START CAPACITOR EMBRACO FFU130HAX
2b	100516066	Start Relay, Danfoss, NF11FX2
2b	100516043	START RELAY EMBRACO FFU130HAX
2c	100515064	Overload Danfoss, NF11FX2
2c	100515042	OVERLOAD EMBRACO FFU 130HAX
3	100399020	Fan motor, 18W, 120V/60HZ/1A, 1550 RPM, CCW
4	100436024	FAN BLADE PLASTIC, 5 Blade, 9", 30 Deg.
6	181496001	Condenser Assy, RV2P36
8	100840005	Drier Filter
10	300055000	Drain, 1/2" Hose connection, Nylon/Polypropylene
12	100412001	Switch, Rocker, Lights
13	181408066	DOOR RV2P36 RIGHT SWING
13	181408068	DOOR RV2P36 LEFT SWING
13a	300165041	Gasket, magnetic, black, 560 x 1415, RV2P36
14	181741001	TORSION BAR ASSEMBLY 1200 mm
14b	300216002	Retaining Clip, Torsion Bar, RVPs
14c	100355001	Retaining Bar, Retention Rod, RVPs
15	181083003	Hinge Support, Top, Right, RVP
16	181083002	Hinge Support, Top, Left, RVP
17	300125001	Hinge Bracket, Bottom Right
18	300125000	Hinge Bracket, Bottom Left
20	100439031	Fluorescent Tube 32W, T-8, 48"
21	100834004	Bulb Holder T8
22	100834007	Base Lamp, UL, T-8, RVP
23	100834008	Base Lamp, UL, T-8, Spring Loaded, RVP
25	100185007	SHELF RV2 - P36
26	103514000	Lamp End Cap, RVP Bulbs
27	100389003	Shelf Clip, Aluminum RVP
28	100442036	Ballast ELECT. TRIAD MOD. B232IUNV-C
29	181515006	Control Box, RV2P36
30	100595003	Switch, Power, Two Pole, CarlingSwitch LRGSC611-R-L-B-A
31	300362008	Controller, Temperature, AKO14120, 2.0 mt sensor
33	100388005	Power Cord, 115V, 15A, 3 mts
34	102211047	GRILL RV2P36
35	300196000	Grill, rear, wire ALPA120/RVP145/245/2P36
36	181460001	Leveler Assembly Black, 2"
38	102513002	Mounting Bracket , Evap Motor

39	100399021	Fan motor, 10W, 120V/60HZ/0.8A, 1550 RPM, CCW
40	100436019	FAN BLADE PLASTIC, 5 Blade, 8", 30 Deg.
41	100195000	Grill, Fan Blade, White ABS, 8.5"
43	300225003	Lamp Cover, Lexan, 1280 mm, RV2P36
44	300217000	CANOPY LH LID RVP500/RV2P36
45	300218000	CANOPY RH LID RVP500/RV2P36
48	300332002	Rivet, Snap, RVP Header Panel
49	103081016	CANOPY LOWER GUIDE RV2P36, 1200 mm
50	103074016	CANOPY UPPER GUIDE RV2P36, 1200 mm
51	300013000	Display panel, 1194 x 166 mm, white, RV2P36
53	200664007	RELAY NEW (ALPA - 77/120 / RVP) SIEMENS
54	100439026	Fluorescent Tube 25W, T-8, 36"