



Ojeda USA, Inc  
460 Southport Commerce Blvd  
Spartanburg, SC 29306  
864 574-6004 Fax 864 574-6005

# INSTALLATION AND OPERATION MANUAL



RVP145, RVP245, RVP500, RV2P36

**Congratulations!**  
**You have just purchased the finest commercial refrigeration available.**

## Table of Contents

INSTALLATION AND OPERATION MANUAL.....	1
APPLICATION .....	3
PRODUCT REGISTRATION.....	3
DIRECTIONS FOR STORAGE AND HANDLING THE EQUIPMENT .....	3
STORAGE OF THE EQUIPMENT .....	3
UNCRATING.....	3
MOVING THE EQUIPMENT .....	3
PLACING AND INSTALLING THE EQUIPMENT .....	4
ELECTRICAL REQUIREMENTS .....	5
POSITIONING SHELVES.....	5
PRODUCT LOADING.....	6
UNIT OPERATION AND COMPONENTS.....	6
ELECTRONIC TEMPERATURE CONTROL:.....	6
PRESCRIPTIONS, PROHIBITIONS AND OTHER USES FOR THE EQUIPMENT .....	8
SHELF SPECIFICATIONS.....	8
MAINTENANCE GUIDELINES .....	9

You have selected one of the finest commercial refrigeration units made. It is manufactured under strict quality controls with only the best quality materials available. Your Ojeda cooler, when installed correctly and properly maintained will give you many years of trouble-free operation.

## **WARNING!**

### **USE THIS APPLIANCE FOR ITS INTENDED PURPOSE AS DESCRIBED IN THIS MANUAL**

When using electrical appliances, basic safety precautions should be followed, including the following:

- Use this appliance for its intended purpose as described in this Owner Manual.
- This refrigerator must be properly installed and located in accordance with the Installation Instructions.
- We strongly recommend that any servicing be performed by a qualified individual.
- Do not allow children to climb, stand, or hang on the shelves in the refrigerator. They could damage the refrigerator and seriously injure themselves.
- Do not store or use gasoline or other flammable vapors and liquids in the vicinity of this or any other appliance.
- Unplug the refrigerator before cleaning and making repairs.



**CAREFULLY READ THESE INSTRUCTIONS.** This manual provides instructions in how to best locate, operate, and maintain this equipment.  
It is recommended to keep this manual for any future reference.

## **APPLICATION**

---

The RVP series of coolers have a sanitation listing permitting the merchandising of packaged food and beverage product. The unit must be located in an indoor environment where the ambient must be maintained less than 90°F/65%RH.

## **PRODUCT REGISTRATION**

---

Write down the Serial number of your new unit for future reference. The Serial Number is found on the data plate located on the back of the unit and on the inside top left side of the cabinet.

MODEL: \_\_\_\_\_

SERIAL NUMBER: \_\_\_\_\_

## **DIRECTIONS FOR STORAGE AND HANDLING THE EQUIPMENT**

---

### **STORAGE OF THE EQUIPMENT**

If the equipment will be kept in storage, it is suggested to keep it in its original packing.  
In case you need your equipment to be inactive for a long period of time after being used, verify that it has been unplugged. After cleaning it thoroughly with a damp cloth, lukewarm water and neutral soap and carefully drying it, cover it with a polyethylene film or similar waterproof material.

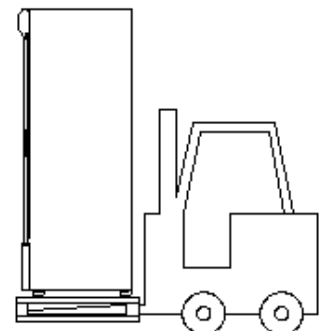
### **UNCRATING**

The following procedure is recommended for uncrating the unit:  
Remove the outer package by carefully cutting the shrink wrap and removing the 4 corner posts and top lid.  
Inspect for concealed damage. Immediately file a claim with the freight carrier if there is damage.  
Move your unit as close to the final location as possible before removing the wooden skid.

### **MOVING THE EQUIPMENT**

The unit is constructed to facilitate using a forklift to handle it. (Fig. 1) Use this handling means to move the equipment as close as possible to the location where it will be installed.

**IMPORTANT:** Never push, pull or strike the front glass.



# PLACING AND INSTALLING THE EQUIPMENT

## ENVIRONMENTAL CONDITIONS

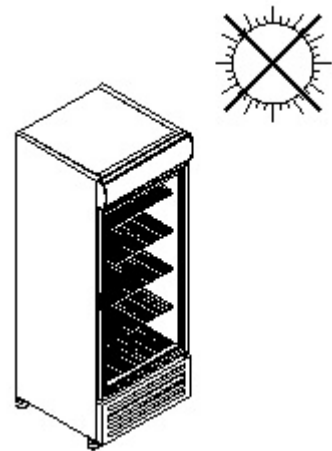
**THIS UNIT CANNOT BE INSTALLED IN ENVIRONMENTS WITH EXPLOSIVE GASES. THE EQUIPMENT IS DESIGNED ONLY FOR INDOOR OPERATION.**

The unit must be located in an indoor environment where the ambient is maintained less than 90°F/65% RH.

For the correct performance of the refrigerating system, it is very important to *leave at least 10 cm (4") of free space both at the sides and back* to allow proper air circulation.

The location of the cooler must be *kept away from sources of heat and humidity* including direct sunlight, toasters, ovens, coffee warmers, other appliances condenser air discharge, infrared heaters, or other heat generating appliances. Keep the unit away from external doors.

The unit should be leveled prior to operation.



The unit must have casters, 6” legs, or sealed to the floor per NSF guidelines.



## ELECTRICAL REQUIREMENTS

---

The power cord of this appliance is equipped with a 3-prong (grounding) plug which mates with a standard 3-prong (grounding) NEMA 5-15R type wall outlet to minimize the possibility of electric shock hazard from this appliance.

The use of extension cords is not permitted and will void the warranty.

Model	Voltage (V)	Current (A)	Circuit Required (A)
RVP145, RVP245	120	5.7	15
RVP500	120	7.5	15
RV2P36	120	9.5	15

Before connecting your equipment, check that the electrical data on the data plate match your electrical output.

**IMPORTANT NOTICE: PLUG THE EQUIPMENT INDEPENDENTLY TO A LOAD CENTER WITH AN APPROPRIATE CIRCUIT BREAKER ACCORDING TO THE NAMEPLATE AMPS.**

## POSITIONING SHELVES

---

The shelves and holders have been fixed to the inside floor of the unit to prevent their loss during transportation.

Insert the shelf clips in the pilaster notches making sure they are at the same level such that the shelves remain horizontal.

**IMPORTANT:** The products on each shelf must leave three to five centimeters of free clearance between them and the next shelf in order to allow proper air circulation.



## PRODUCT LOADING

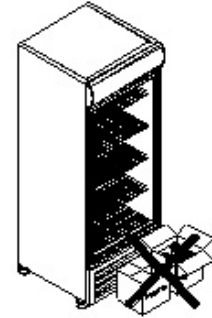
---

The RVP series of units are not intended to be a pull down refrigerator and as such the product must be loaded at their intended merchandising temperature.

Before loading products, allow the equipment to operate empty for at least two hours.

When loading products:

- Do not block the lower ventilation grille with the packages about to be loaded.
- Do not over hang the shelf.
- Do not press the product against the rear wall
- Never exceed the shelf weight limits



## UNIT OPERATION AND COMPONENTS

---

### ELECTRONIC TEMPERATURE CONTROL:

The unit is provided with an electronic temperature control that controls the operation of the unit based on the temperature of the air discharging from the evaporator at the back of the unit.

In order to achieve the desired product temperature, the electronic control is factory adjusted to turn off the refrigeration system at 28°F and start it at 39°F.

When you plug the unit in, the control display will illuminate. However, there is a start-up delay of 2 minutes before the compressor(s) are energized. This delay avoids the possibility that during a power failure the compressors are forced to restart before the refrigerant pressures are equalized.

The control has been factory-adjusted with a defrosting cycle that is scheduled to ensure that the evaporator performs without any ice build-up.



None of the factory-programmed electronic control parameters can be modified unless an access code is entered (only your distributor's technical personnel have that code).

### **COMPRESSORS:**

The one and two door RVP units have single hermetic compressors. The RV3P72 has two hermetic compressors that start in two steps with a delay of 10 seconds to reduce the in-rush of current to the unit.

### **CONDENSERS:**

The RVP series of units incorporate a "maintenance free" condenser design in the refrigeration system which reduces the need for the regular cleaning process that fin and tube condensers require. Besides the savings in preventive maintenance costs, energy expenses will be stable throughout long periods of time since the condensers will remain "clean and unobstructed".

### **EVAPORATOR:**

In the event it is believed that the unit has had a "freeze up" condition due to operation of the unit in high temperature or humidity conditions the evaporator can be thawed by emptying the cabinet of product and removing power until the coil is clear.

### **CONDENSATION EVAPORATOR TRAY:**

When the equipment operates, condensed water from the environment is collected on the evaporator. During each off-cycle, the water drains to the evaporator tray located at the bottom of the unit where it is evaporated using the heat from the refrigeration system.

### **SLIDING CONDENSING UNIT:**

The condensing unit can be pulled out, sliding it approximately 40 cm (16") to allow servicing the condenser motor(s), compressor(s) and electrical components. In order to service the condensing unit, remove the two screws that hold the lower front grill (one at each side). Remove the screws that hold the front bracket that clasps the condensing unit and slide it gently out to have access to the components you want to check.

Once completed, every component must be returned to its original location for proper operation.

### **LIGHTING:**

The lamp can be turned off with the switch located at the left side of the upper section, near the lamp.



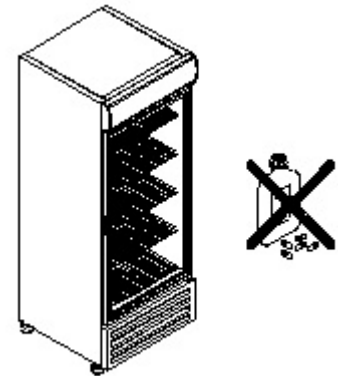
# PRESCRIPTIONS, PROHIBITIONS AND OTHER USES FOR THE EQUIPMENT

The equipment has been exclusively designed to maintain the proper temperature of packaged fresh food and beverages. Because the unit is not designed to cool the product down quickly, the product must be loaded at its appropriate temperature.

Displaying pharmaceutical products in this unit is prohibited.

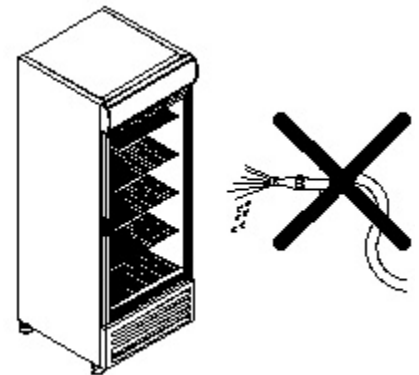
## CAUTION

- Do not remove grilles or panels that require using tools to be accessed
- Do not keep the unit running unloaded. UNPLUG IT when you are not planning to use it.



Using any electrical or electronic equipment entails the compliance with some fundamental rules.

- Do not touch the unit with wet hands or feet.
- Do not install the equipment outdoors.
- Do not remove or ignore safety devices.
- Do not leave objects on top of the unit.
- Do not climb on top of the unit.
- Never use direct or indirect water jets on the unit
- Do not allow the electronic control to be adjusted by customers or unqualified personnel. For any adjustment you must contact your distributor.
- Verify that the hot air stream from the condenser towards the back of the unit is not directed to other refrigeration units, which would compromise their operation.
- Under no circumstance should you block the front grille of the unit.



THE MANUFACTURER DOES NOT ASSUME ANY RESPONSIBILITY ARISING FROM DAMAGES CAUSED BY IMPROPER, INCORRECT, OR ERRONEOUS USE.

It is important to instruct the user on the operation of the equipment according to this instruction manual, and to make sure that said manual is within reach of any operator that might use the unit.

## SHELF SPECIFICATIONS

---

The shelves have been designed to withstand the rigors of normal use and loading capacity not to exceed 40 pounds per square foot evenly distributed weight per shelf:

This load limits must not be exceeded to prevent potential damage to the shelf and/or injury to users.





## MAINTENANCE GUIDELINES

---

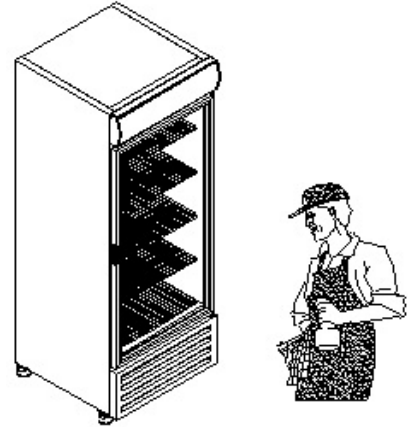
Regularly and carefully cleaning the equipment prevents deterioration and product alteration.

### CLEANING THE UNIT

Clean every week with only a damp piece of cloth and neutral soap each external and internal surface, and dry them with a clean soft cloth

Never use flammable or abrasive products. The unit must never **be cleaned with water jets.**

**IMPORTANT:** During maintenance and cleaning operations, make sure that good visibility conditions exist in the working area, using other light sources in case it is needed. Be very careful when working with moving and/or high-temperature parts.



### CLEANING THE CONDENSER COIL

#### **IMPORTANT WARRANTY INFORMATION:**

Condensers accumulate dirt and require regular cleaning. Dirty condensers result in compressor failure, product loss, and lost sales; which are not covered by warranty

If you keep the condenser(s) clean you will minimize your service expense and lower your electrical costs. The following is a step-by-step guideline for the cleaning of the condenser(s):

1. Disconnect power to the unit.
2. Take off front lower grill assembly by removing the two (2) screws in the top corners.
3. Clean off accumulated dirt from the condenser coil(s) using a vacuum and/or a damp rag.
4. Replace the grill assembly.
5. Connect power to the unit and verify that when required the condensing unit(s) are running.

If you cannot remove the dirt adequately, please call your refrigeration service company.



## **Standard Warranty**

### **2 YEAR WARRANTY**

**(Applies to RVP series, VS Glass Door Merchandisers, ALPA series, CT Countertop Merchandisers, and Venus Deli Display Cases)**

#### **Warranty Claims**

All claims for parts or labor must be made directly through Ojeda USA Inc.

All claims should include: model number of the unit, the serial number of the cabinet, proof of purchase, date of installation, and all pertinent information supporting the alleged defect.

In the case of compressor replacement under warranty, either compressor or compressor tag must be returned to Ojeda USA along with above listed information.

Failure to comply with warranty policies will result in voiding claims.

#### **Two Year Parts & Labor Warranty**

Ojeda USA Inc. warrants all new refrigerated components, the cabinet and all parts, to be free from defects in materials or workmanship, under normal and proper use and maintenance service as specified by Ojeda USA and upon proper installation. *Ojeda USA's obligation under this warranty is limited to a period of two (2) years from the date of the original installation or 27 months after shipment date from Ojeda USA Inc., whichever occurs first.*

*Any part, covered under this warranty, that are by Ojeda USA Inc. to have been defective within two (2) years of original installation or twenty seven (27) months after shipment date from manufacturer, whichever occurs first, is limited to the repair or replacement, including labor charges of defective parts or assemblies. The labor warranty shall include standard straight time labor charges only and reasonable travel time, as determined by Ojeda USA Inc.*

#### **Additional Three Year Compressor Warranty**

In addition to the two (2) year warranty stated above, Ojeda USA Inc. warrants its hermetically sealed compressor to be free from defects in both material and workmanship under normal and proper use and maintenance service for a period of three (3) additional years from the date of the original installation, but not to exceed five (5) years and three (3) months after shipment from the manufacturer. Compressor determined by Ojeda USA Inc. to have been defective within this extended period will, at Ojeda USA Inc. discretion, be either repaired or replaced with a compressor or compressor parts of similar design and capacity.

The three (3) year extended compressor warranty applies only to hermetically sealed parts of the compressor and does not apply to any other parts or components, including, but not limited to, cabinet, paint finish, temperature control, refrigerant, metering device, driers, motor starting equipment, fan assembly or and other electrical components, etcetera.



### **134a Compressor Warranty**

The five-year compressor warranty detailed above will be void if the following procedure is not carefully adhered to:

1. This system contains R134a refrigerant and polyol ester lubricant. The polyol ester lubricant has rapid moisture absorbing qualities. If long exposure to the ambient conditions occurs, the lubricant must be removed and replaced with new lubricant. For oil amounts and specifications please call Ojeda USA Inc. technical service department at (888)532-2816.
2. Drier replacement is very important and must be changed when a system is opened for servicing. A drier using XH7 desiccant or an exact replacement solid core drier must be used. The new drier must also be the same capacity as the drier being replaced.
3. Micron level vacuums must be achieved to insure low moisture levels in the system. 500 microns or lower must be obtained.
4. When compressor is grounded, suction drier and 620 drier or better must be replaced.
5. Compressor must be obtained through Ojeda USA Inc., unless otherwise specified in writing, through Ojeda USA Inc. warranty department.

### **What is not covered by this warranty..**

Ojeda USA Inc.'s sole obligation under this warranty is limited to either repair or replacement of parts, subject to additional limitations below. This warranty neither assumes nor authorizes any person to assume obligations other than those expressly covered by this warranty.

*No consequential damages. Ojeda USA Inc. is not responsible for economic loss; profit loss; or special, indirect, or consequential damages, including without limitation, losses or damages arising from food or product spoilage claims whether or not on account of refrigeration failure. Warranty is not transferable. This warranty is not assignable and applies only in favor of the original purchaser/user to whom delivered. Any such assignment or transfer shall void the warranties herein made and shall void all warranties, express or implied, including any warranty of merchantability or fitness for a particular purpose.*

*Improper usage: Ojeda USA Inc. assumes no liability for parts or labor coverage for component failure or other damages resulting from improper usage or installation or failure to clean and/or maintain product as set forth in the warranty packet provided with the unit.*

*Residential applications: Ojeda USA Inc. assumes no liability for parts or labor coverage for component failure or other damages resulting from installation in non-commercial or residential applications. Ojeda is not responsible for the repair or replacement of any parts that Ojeda USA Inc. determines have been subject to ; alteration, neglect, abuse, misuse, accident, damage during transit or installation, fire, flood, acts of God. Ojeda USA Inc. is not responsible for the repair or replacement of failed or damaged components resulting from electrical power failure, the use of extension cords, low voltage, or voltage drops to the unit. No implied warranty of merchantability or fitness for a particular purpose. There are no other warranties, expressed, implied or statutory, except the two (2) year parts & labor warranty and the additional three (3) year compressor warranty as described above. This warranty does not apply to any warranty claims made outside the United States or Canada.*



## TECHNICAL ASSISTANCE

If technical personnel assistance is required, you must immediately contact your distributor, specifying the kind of problem and clearly indicating the equipment model and serial number. If replacing parts is required, do it through your distributor.

**WARNING:** Always ask for original spare parts

AUTHORIZED DISTRIBUTOR:

---

COMMERCIAL NAME:

---

ADDRESS:

---

TELEPHONE:

---

E-MAIL:

---

