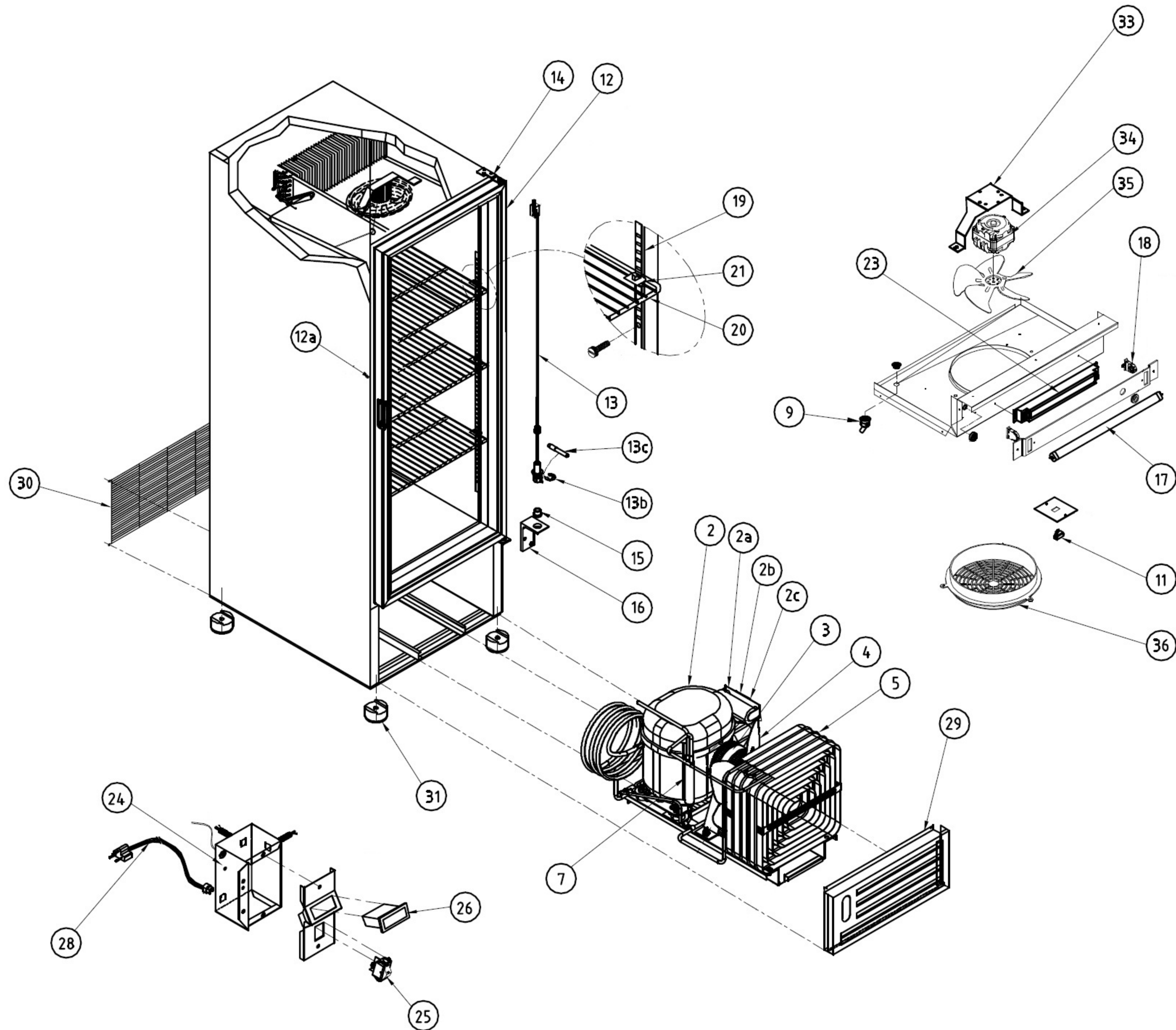


# PARTS LIST FOR MODEL " RVP-145 "



# RVP145

## GLASS DOOR COOLER

### Parts List

	Part#	Description
2	100397028	Compressor, Danfoss NF5.5FX
2	100397041	Compressor Embraco FFU70HAK
2a	100517021	Start Capacitor, Danfoss NF5.5FX
2a	100517033	Start Capacitor Embraco FFU70HAK
2b	100516030	Start Relay, Danfoss NF5.5FX
2b	100516042	Start Relay Embraco FFU70HAK
2c	100515028	Thermal Protector Danfoss NF5.5FX
2c	100515041	Thermal Protector Embraco FFU70HAK
3	100399020	Fan motor, 18W, 120V/60HZ/1A, 1550 RPM, CCW
4	100436024	FAN BLADE PLASTIC, 5 Blade, 9", 30 Deg.
5	300128000	Condenser Assemby, 1 Ckt, 228 x 228, RVP145/245
7	100840005	Drier Filter
9	300055000	Drain, 1/2" Hose connection, Nylon/Polypropylene
11	100412001	Switch, Rocker, Lights
12	181408057	Door Assembly RVP145
12a	300165036	Gasket, magnetic, black, 575 x 1085, RVP145/245
13	181741000	TORSION BAR ASSEMBLY 840 mm
13b	300216002	Retaining Clip, Torsion Bar, RVPs
13c	100355001	Retaining Bar, Retention Rod, RVPs
14	181083006	Hinge Bracket, Top Ridght
15	100158005	Bushing, Nylon, RVP Door
16	300125001	Hinge Bracket, Bottom
17	100439007	Fluorescent Tube, 15W, T-8, 18"
18	100834004	Bulb Holder, T8
19	100390008	Pilaster, Aluminum, 864 mm RVP145
20	100185003	SHELF RVP - 145 / 245
21	100389003	Shelf Clip, Aluminum RVP
23	100442036	Ballast ELECT. TRIAD MOD. B232IUNV-C
24	181515005	Control Box, RVP145/245
25	100595003	Switch, Power, Two Pole, CarlingSwitch LRGSK611-R-L-B-A
26	300362008	Controller, Temperature, AKO14120, 2.0 mt sensor
28	100388005	Power Cord, 115V, 15A, 3 mts
29	102211049	GRILL RVP145/245
30	300196000	Grill, rear, wire ALPA120/RVP145/245
31	181460000	LEVELER ASSEMBLY BLACK , 1.5"
33	102513002	Mounting Bracket , Evap Motor
34	100399021	Fan motor, 10W, 120V/60HZ/0.8A, 1550 RPM, CCW
35	100436019	FAN BLADE PLASTIC, 5 Blade, 8", 30 Deg.
36	100195000	Grill, Fan Blade, White ABS, 8.5"
44	300007010	Display panel, 518 x 120 mm, white, RVP145