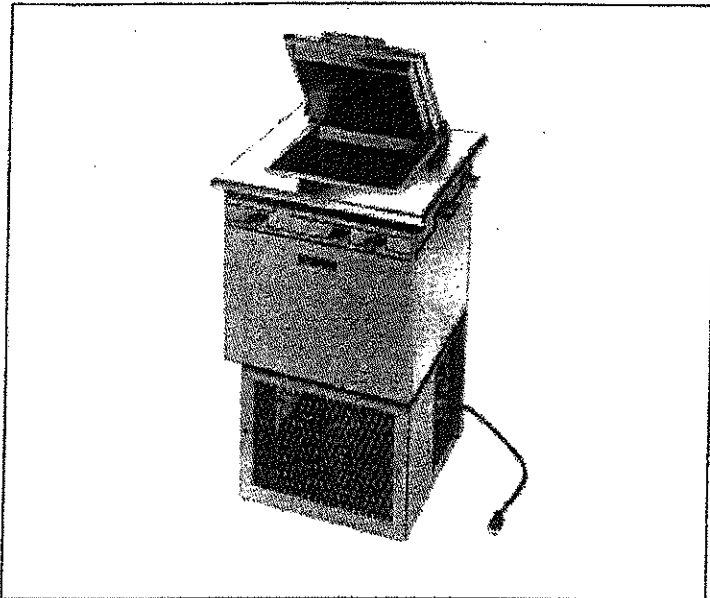




Item No. _____

INSTALLATION and OPERATION INSTRUCTIONS

Ice Cream Cabinet



Model Nos.

8000-230

*Carries CE
Mark of Conformity*

Table of Contents

Cabinet Specifications	2
Installing the Cabinet	
Countertop Stainless Steel Module	3
Topshelf Underbar Stainless Steel Module	4
Cooling System	5
Temperature Control	5
Oiling	5
Cleaning	5
Replacement Parts	5
Wiring Diagram	6

**IMPORTANT
WARRANTY INFORMATION**

A Warranty card is enclosed that must be completed and mailed to the Perlick Corporation to register the warranty. If the card is not returned to Perlick, the warranty period will begin from the date the equipment is shipped from the factory

This manual has been prepared to assist you in the installation of your Ice Cream Cabinet and to acquaint you with its operation and maintenance.

We dedicate considerable time to ensure that our products provide the highest level of customer satisfaction. If, however, service is required, your dealer can provide you with a list of qualified service agents. For your own protection, never return merchandise for credit without our approval.

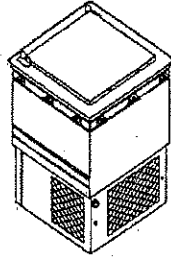
We thank you for selecting a Perlick product and assure you of our continuing interest in your satisfaction.


8300 West Good Hope Road
Milwaukee, WI 53223
Phone: 414-353-7060 Fax: 414-353-7069

SPECIFICATIONS

ICE CREAM CABINET

CE



MODEL No.	8000-230
DIMENSIONS	26 ³ / ₄ " (680 mm) H. x 16 ¹ / ₈ " (410 mm) W. x 16 ¹ / ₈ " (410 mm) D.
CUTOUT REQUIRED	15 ¹ / ₄ " (387 mm) x 15 ¹ / ₄ " (387 mm)
CONDENSING UNIT	¹ / ₅ h.p.
ELECTRICAL	220v - 240v/50hz/1 phase AC, 232 Total input watts
REFRIGERANT & CHARGE	R134a 5.5 oz. (156 grams)

UNCRATE AND INSPECT

Remove all crating and packing material before operating this cooler. As soon as the cabinet is uncrated, make a careful inspection for hidden damage. If damage is discovered, file your claim immediately with the carrier as Perlick is not liable for damage in transit.

ELECTRICAL

Electrical connection is through an Interpower™ IEC320 Power Inlet. Wiring must be done in accordance with all local and national requirements. **Caution: Do not use any other voltage than is specified as serious damage will occur.**

INSTALLATION

Important: The unit must NOT be totally enclosed. There can be no restriction of air circulation. The condenser at cabinet front must be provided with a minimum opening of the same size as the condenser (100% open). The cabinet back must have a minimum opening one and one-half times the condenser size (150% open). Cabinet sides must have a minimum 51mm. air space. Be sure to provide access so front cover of drop-in ice cream cabinet can be removed to clean condenser.

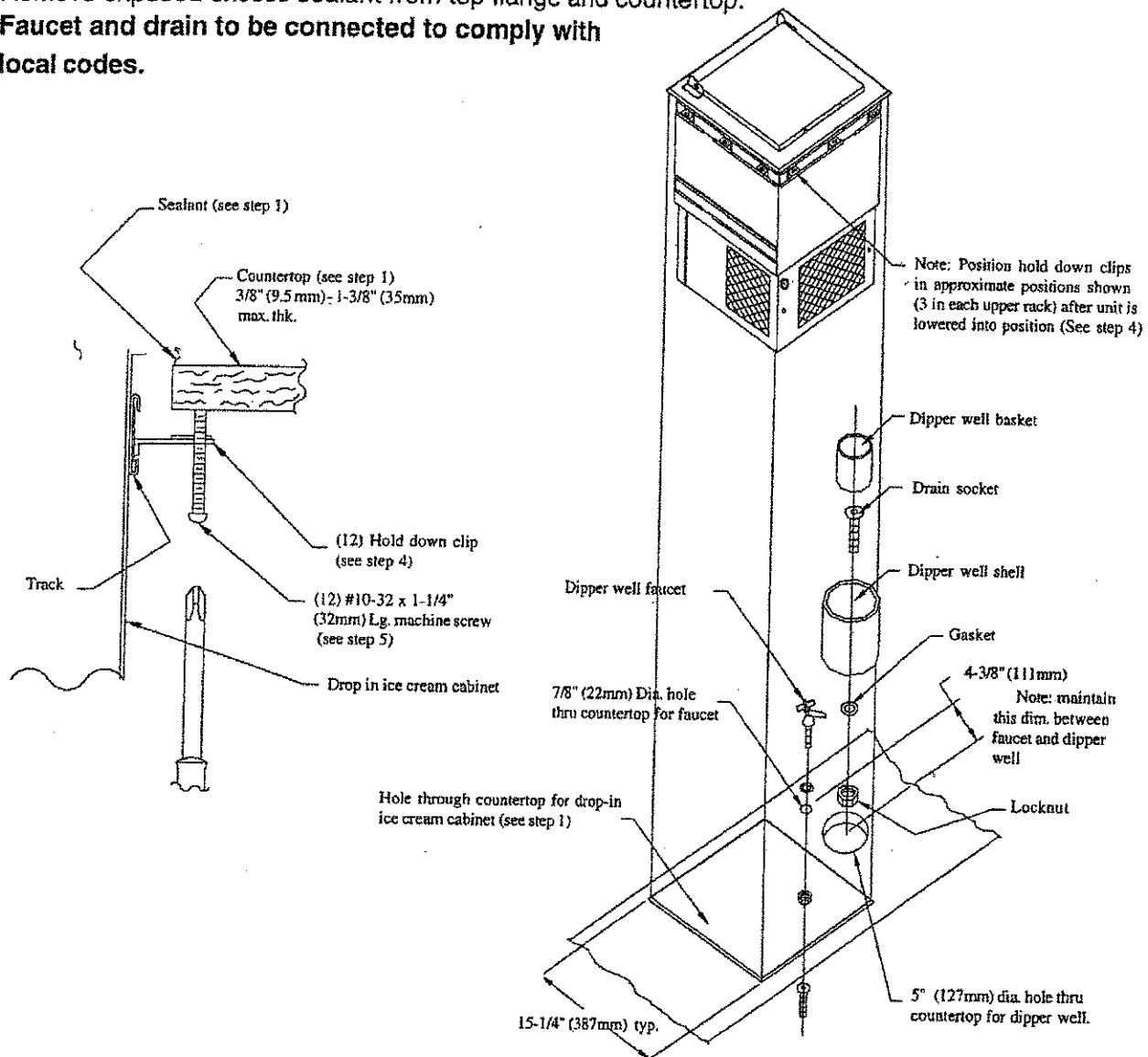
After placing the cabinet into its initial operation, allow 24 hours for the cabinet to reach and maintain proper temperature.

INSTALLATION

ICE CREAM CABINET

INSTALLATION INTO A COUNTERTOP

1. Cut a 15 1/4" (387 mm) x 15 1/4" (387 mm) square hole in the countertop for the drop-in ice cream cabinet.
Note: If C27522 Dipper Well and Faucet Kit are also being installed, cut the two (2) round holes required. (Access from bottom and sides is needed to secure unit to countertop.)
2. Apply 1/4" (6 mm) diameter bead of sealant (*supplied*) to bottom outer edge of top flange as shown in cross sections.
3. Insert ice cream cabinet into opening as shown, making sure there are no voids in sealant where top flange meets countertop.
4. From underneath, install (3) hold down clips in each upper track through slots as shown in cross sections in approximate positions shown below.
5. With uniform pressure, tighten screws in hold down clips evenly to ensure a positive seal to the countertop.
6. Remove exposed excess sealant from top flange and countertop.
7. **Faucet and drain to be connected to comply with local codes.**

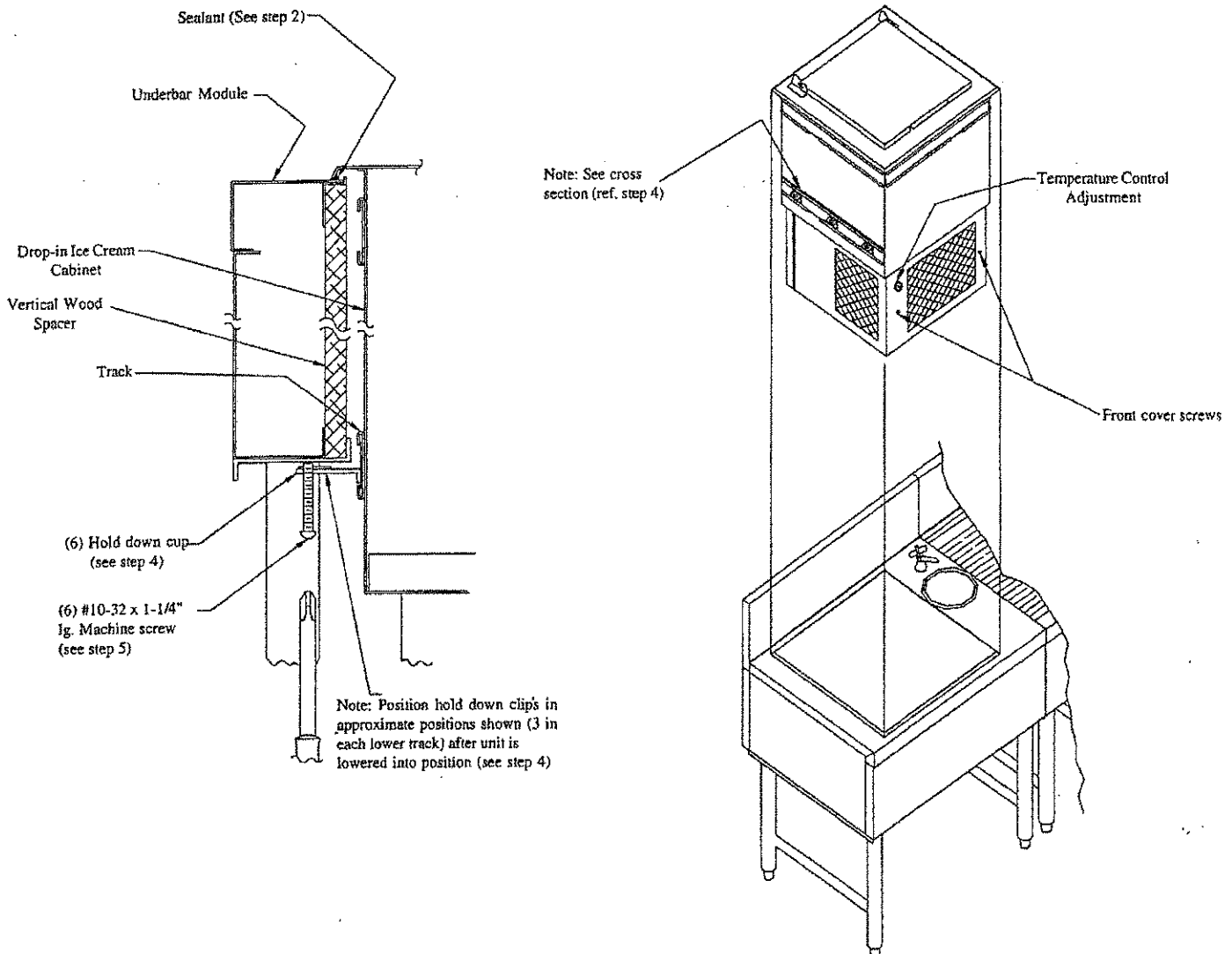


INSTALLATION

ICE CREAM CABINET

INSTALLATION INTO A TOPSHELF UNDERBAR STAINLESS STEEL MODULE

1. A 15 1/4" (387 mm) x 15 1/4" (387 mm) square hole has been provided in the top of the TS24DC cabinet for drop-in ice cream cabinet.
2. Apply 1/4" (6mm) diameter bead of sealant (supplied) to bottom outer edge of top flange as shown in cross sections.
3. Insert ice cream cabinet into opening as shown, making sure there are no voids in sealant where top flange meets countertop.
4. From underneath, install hold down clips in tracks, through slots, as shown in cross sections. Slide clips in tracks to approximate locations shown.
5. With uniform pressure, tighten screws in hold down clips evenly to ensure a positive seal.
6. Remove exposed excess sealant from top flange and workboard.
7. **Faucet and drain to be connected to comply with local codes.**



GENERAL INFORMATION

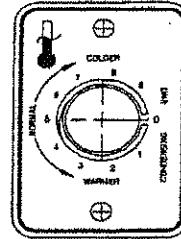
ICE CREAM CABINET

COOLING SYSTEM

This cabinet maintains temperatures from the cold walls of the storage compartment. If excessive frost accumulates on the walls, remove the plug from the electrical outlet. Never use a sharp instrument to break ice from the cabinet walls.

TEMPERATURE CONTROL

An adjustable temperature control is located on the front of the unit near the condenser. It is factory set at a normal operating temperature. Make adjustments to attain the desired temperature.



OILING

The Hermetic (sealed) compressor and the condenser fan motor requires no oiling.

CLEANING

Condenser

The condenser (located behind the front grille) should be inspected every 60 days, and cleaned, if necessary. Failure to keep the condenser clean will cause a loss in condensing unit efficiency and warmer cabinet temperatures.

Cabinet

Use a damp cloth with a mild detergent and water to clean the inside and outside of the cabinet. Dry thoroughly.

REPLACEMENT PARTS FOR 8000-230 DROP-IN ICE CREAM UNIT

Part No.	Description	Part No.	Description
C22623	1/5 h.p. condensing unit	C27073-1	Mounting stud
C22623-1	Compressor	61295	Temp. control
C22623-2	Condenser fan motor	C25181-1	Breaker strip
C29314A	Lid assembly	C29341	Back unit cover
C27506-1	Left hinge bracket	C29342	Front unit cover
C27505-1	Right hinge bracket	C27476	Hold-down clip

WIRING DIAGRAM

