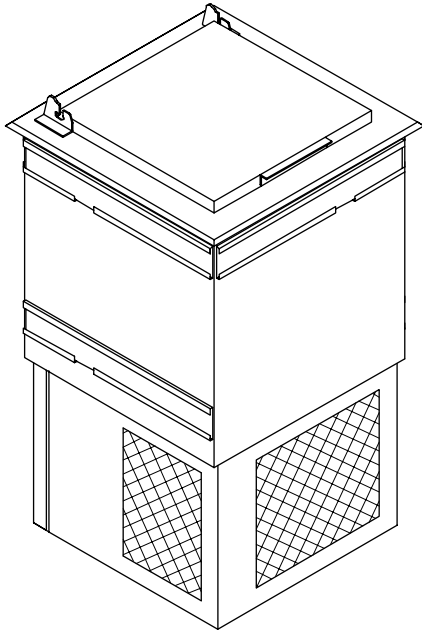


INSTALLATION AND OPERATION INSTRUCTIONS ICE CREAM CABINET



MODEL NOS.

8000



IMPORTANT INFORMATION

A Warranty card is enclosed that must be completed and mailed to the Perlick Corporation to register the warranty. If the card is not returned to Perlick, the warranty period will begin from the date the equipment is shipped from the factory.

This manual has been prepared to assist you in the installation of your Ice Cream Cabinet and to acquaint you with its operation and maintenance.

We dedicate considerable time to ensure that our products provide the highest level of customer satisfaction. If, however service is required, your dealer can provide you with a list of qualified service agents. For your own protection, never return merchandise for credit without our approval.

We thank you for selecting a Perlick product and assure you of our continuing interest in your satisfaction.

WARNING: When lifting, the full weight of the cabinet must be supported. Lift from the cabinet base and not from the top. Improper lifting can result in severe damage to the cabinet.

Table of Contents

Specifications.....	2
Preparing the Cabinet for Use.....	3
Uncrating and Inspecting.....	3
Electrical.....	3
Installation.....	3
General information.....	3
Cooling System.....	3
Temperature Control.....	3
Oiling.....	3
Cleaning.....	3
Installation Into a Countertop.....	4
Installation Into a Topshelf Underbar.....	5
Replacement Parts.....	6
Wiring Diagram.....	7



8300 West Good Hope Road • Milwaukee, WI 53223 • Phone 414-353-7060 • Fax 414-353-7069
Toll Free 800-558-5592 • E-Mail: Perlick@Perlick.com • www.Perlick.com

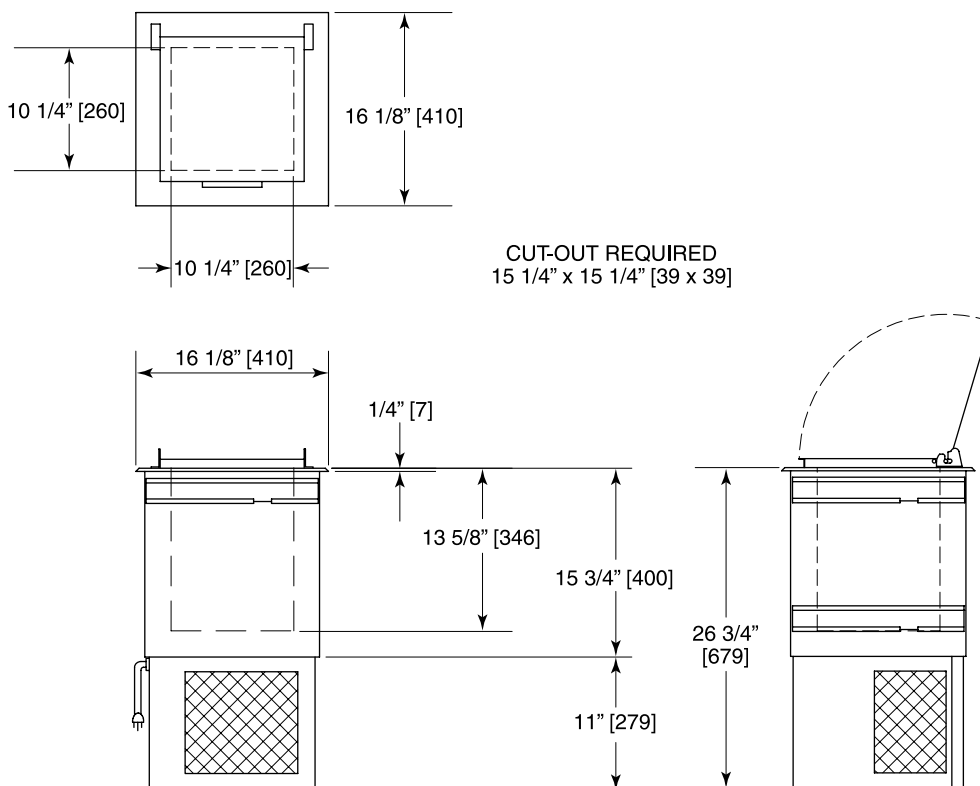
Form No. Z2029A
Rev. 08.03.04

Installation and Operating Instructions

Sizes and Specifications, Ice Cream Cabinet



MODEL NOS.	8000
CAPACITY	3 Gallons
DIMENSIONS IN. [mm]	
HEIGHT	26 ³ / ₄ " [680]
WIDTH	16 ¹ / ₈ " [410]
DEPTH	16 ¹ / ₈ " [410]
SHIP WEIGHT lbs. (kg)	114 (52)
COMPRESSOR H.P.	1/8 h.p.
AMPS	1.6
INTERIOR	Well dimensions: 13 ⁵ / ₈ " [346] H x 10 ¹ / ₄ " [260] W x 10 ¹ / ₄ " [260] D.
EXTERIOR	20 gauge stainless steel top and removable hinged door lid.
ELECTRICAL	115 Volt, 60 Hz., 1 Phase AC. Can also be used on 100 volt, 50 hz. 1 phase A.C. Furnished with three-prong, six foot rubber cord. Contact Perlick for other electrical requirements.
REFRIGERANT and CHARGE	R134a 5.5 oz. (142).



Perlick is committed to continuous improvement. Therefore, we reserve the right to change specifications without prior notice.

Preparing the Cabinet for Use – ICE CREAM CABINET

Uncrating and Inspection

Remove all crating material before operating this cooler. Carefully inspect cabinet for hidden damage. If damage is discovered, file your claim immediately with the transportation company. Perlick is not responsible for damage in transit.

Electrical

For specifications, see data plate located on the cabinet. Also, see wiring diagram located in this publication CAUTION: Do not use any other voltage than is specified as serious damage will result.

Installation

IMPORTANT: The unit must **NOT** be totally enclosed. There can be no restriction of air circulation. The condenser at cabinet front must be provided with a minimum opening the same size as the condenser (100% open). The cabinet back must have a minimum opening one and one-half times the condenser size (150% open). Cabinet sides have a minimum of two inches air space. Be sure to provide access so front cover of drop-in ice cream cabinet can be removed to clean the condenser.

After placing the cabinet into its initial operation, allow about 24 hours for the cabinet to reach and maintain proper temperature.

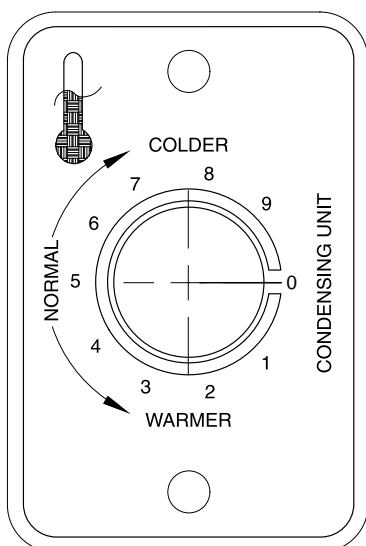
General information – Ice Cream Cabinet

Cooling System

This cabinet maintains temperatures from the cold walls of the storage compartment. If excessive frost accumulates on the walls, remove the plug from the electrical outlet. Never use a sharp instrument to break ice from the cabinet walls

Temperature Control

An adjustable temperature control is located on the front of the unit near the condenser. It is factory set at a normal operating temperature. Make adjustments to attain the desired temperature..



Oiling

The Hermetic (sealed) compressor and the condenser fan motor require no oiling.

Cleaning

Condenser

The condenser (located behind the front grille) should be inspected every 60 days, and cleaned, if necessary. Failure to keep the condenser clean will cause a loss in condensing unit efficiency and warmer cabinet temperatures.

Cabinet

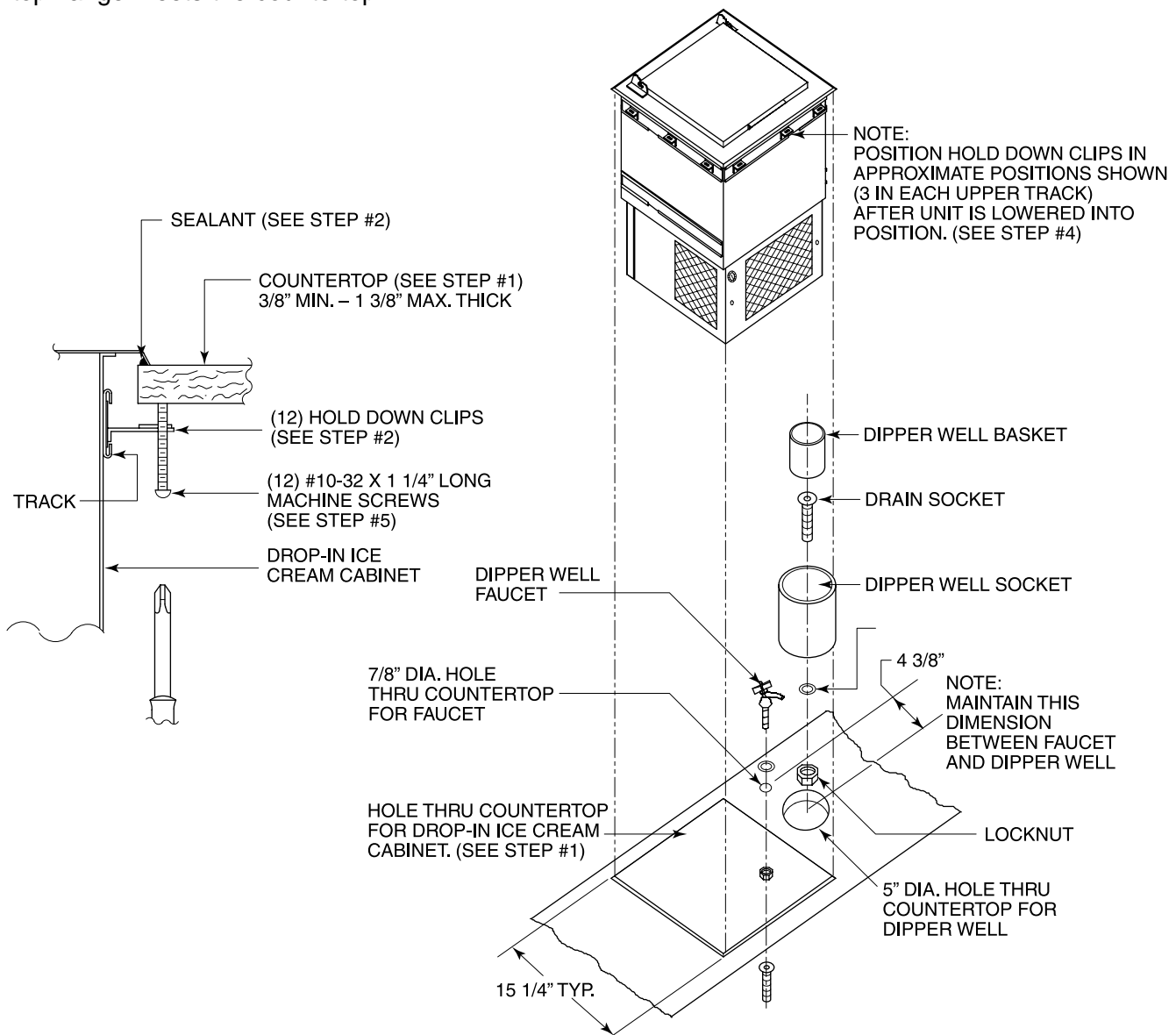
Use a damp cloth with mild detergent and water to clean the inside and outside of the cabinet. Dry thoroughly.

Installation – Ice Cream Cabinet

Installing Into a Countertop

- Cut a 15 1/4" [387mm] x 15 1/4" [387mm] square hole in the countertop for the drop-in ice cream cabinet.
- **Note:** If C27522 Dipper Well and Faucet Kit are also being installed, cut the two (2) round holes required. (Access from bottom and sides is needed to secure unit to countertop).
- Apply 1/4" [6mm] diameter bead of sealant (*supplied*) to bottom outer edge of top flange as shown in cross sections.
- Insert ice cream cabinet into opening as shown, making sure there are no voids in sealant where top flange meets the countertop.

- From underneath, install the (3) hold down clips in each upper track through slots as shown in cross sections in approximate positions shown below.
- With uniform pressure, tighten screws in hold down clips evenly to ensure a positive seal to the countertop.
- Remove exposed excess sealant from top flange and countertop.
- **The faucet and drain are to be connected to comply with local codes.**



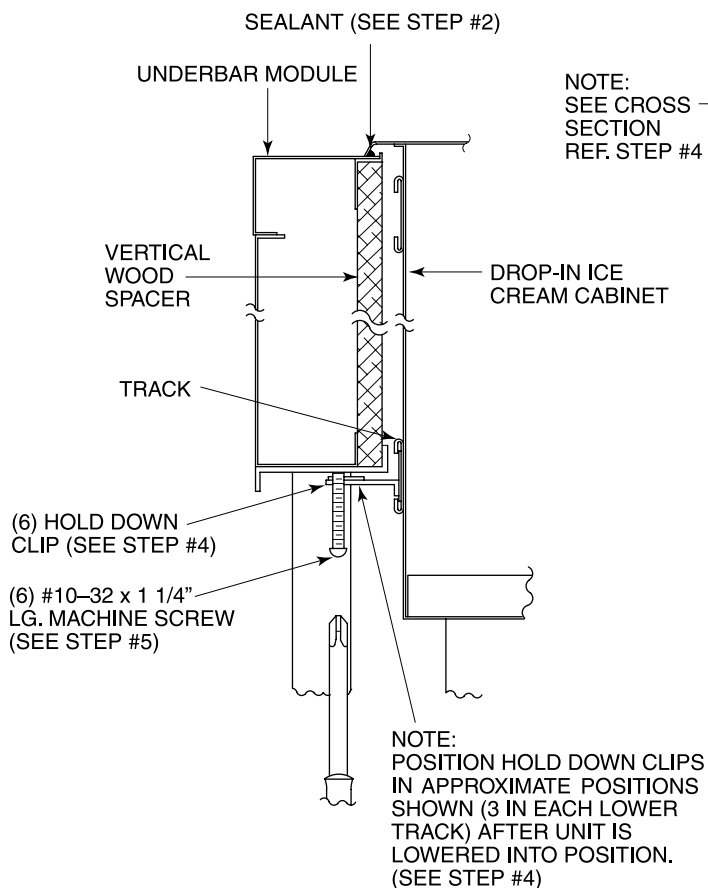
Perlick is committed to continuous improvement. Therefore, we reserve the right to change specifications without prior notice.

Installation – Ice Cream Cabinet

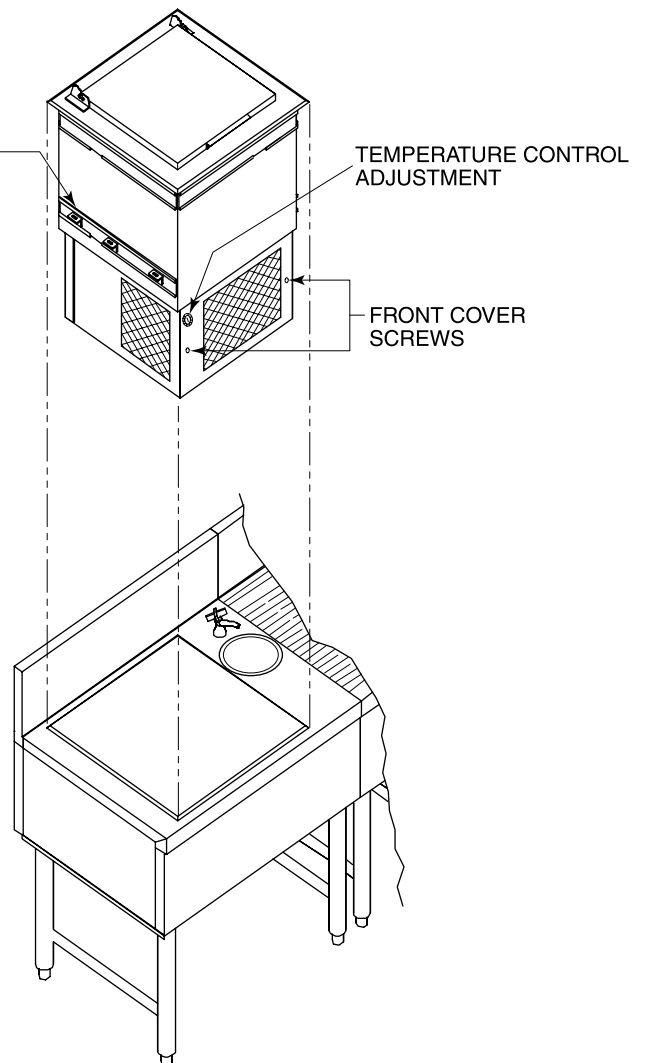
Installing Into a Topshelf Underbar Stainless Steel Module

- A 15¼" [387mm] x 15¼" [387mm] square hole has been provided in the top of the TS24DC cabinet for the drop-in ice cream cabinet.
- Apply ¼" [6mm] diameter bead of sealant (*supplied*) to bottom outer edge of top flange as shown in cross sections.
- Insert ice cream cabinet into opening as shown, making sure there are no voids in sealant where top flange meets the countertop.

- From underneath, install the (3) hold down clips in tracks in approximate positions shown below.
- With uniform pressure, tighten screws in hold down clips evenly to ensure a positive seal.
- Remove exposed excess sealant from top flange and workboard.
- **The faucet and drain are to be connected to comply with local codes.**



NOTE: SEE CROSS SECTION REF. STEP #4



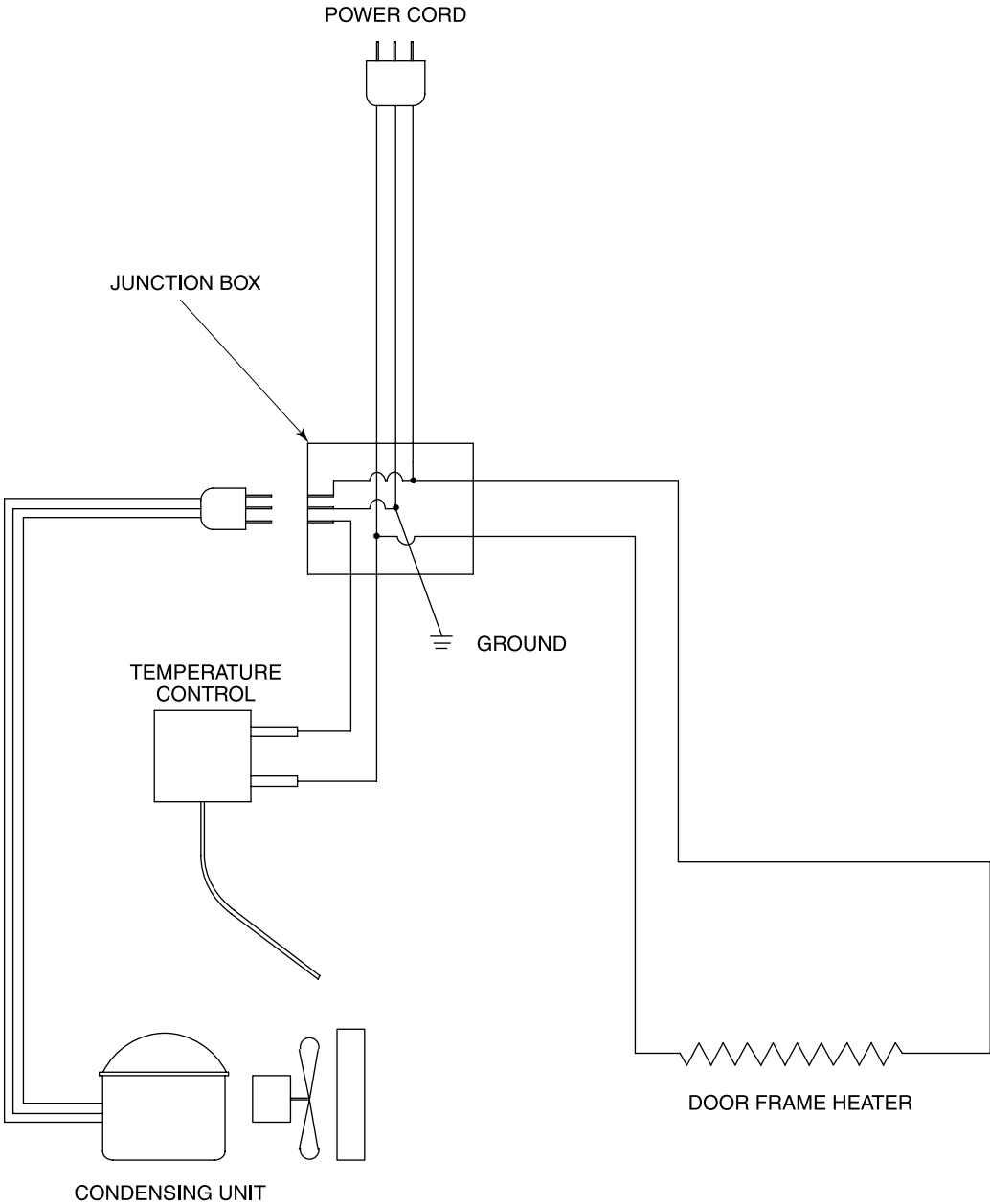
Replacement Parts – Ice Cream Cabinet

MODEL NOS. 8000 Serial Numbers Above 500,000	
Description	Part #'s
1/5 h.p. condensing unit	C22649
Complete condensing unit (#UM65HNR)	515301065
Compressor (Model EM65HNR)	513307090
5W Fan motor assembly	215315009
Condenser coil	15352019
Terminal board	219101538
Cover, overload relay	513504007
Lid assembly	C29314A
Left hinge bracket	C27506-1
Right hinge bracket	C27505-1
Mounting stud	C27073-1
Wiring harness	C25195-1
Temperature control	C27523
Breaker strip	C25181-1
Back unit cover	C29341
Front unit cover	C29342
Hold-down clip	C27476



Perlick is committed to continuous improvement. Therefore, we reserve the right to change specifications without prior notice.

Wiring Diagram – Ice Cream Cabinet





8300 West Good Hope Road • Milwaukee, WI 53223 • Phone 414-353-7060 • Fax 414-353-7069
Toll Free 800-558-5592 • E-Mail: Perlick@Perlick.com • www.Perlick.com