

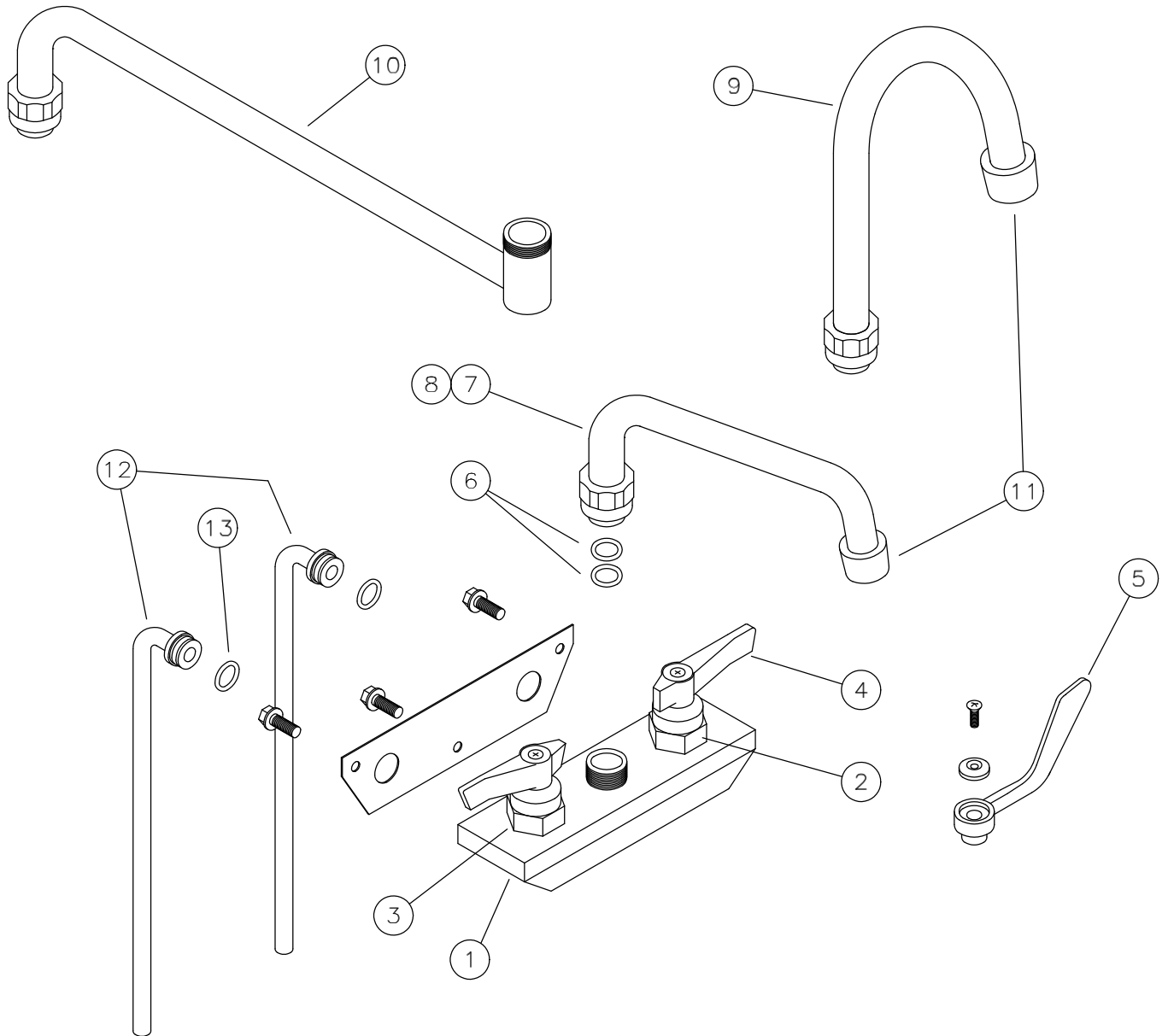


CERTIFIED TO ANSI/NSF-61
SECTION 9, ANNEX G

924 SERIES FAUCET PARTS LIST
LOW LEAD SERIES
CALIFORNIA AB1953
VERMONT S-152



Low Lead



LOW LEAD SERIES

ITEM	PART NO.	DESCRIPTION	ITEM	PART NO.	DESCRIPTION
1	40046-LF	Faucet (Less Spout)	9	43690-LF	Goose Neck Spout
2	43704C-LF	Cold Valve Assembly	10	40138-LF	Spout Extension 12"Long
3	43704H-LF	Hot Valve Assembly	11	43688	Aerator
4	43706	Handles(Blade Type Set)	12	43638-LF	Supply Tube
5	43705	Handles(Wrist Blade Set)	13	18129-112	"O"-Ring
6	43689	"O"-Ring			
7	40137-6LF	Spout Assembly 6"Long			
8	40137-10LF	Spout Assembly 10"Long			

8300 W. Good Hope Road
Milwaukee, Wi. 53223
Phone (414) 353-7060
Fax (414) 353-7069



Systems and products
for the foodservice
and brewing industries
since 1917

FORM NO.
43708-LF