

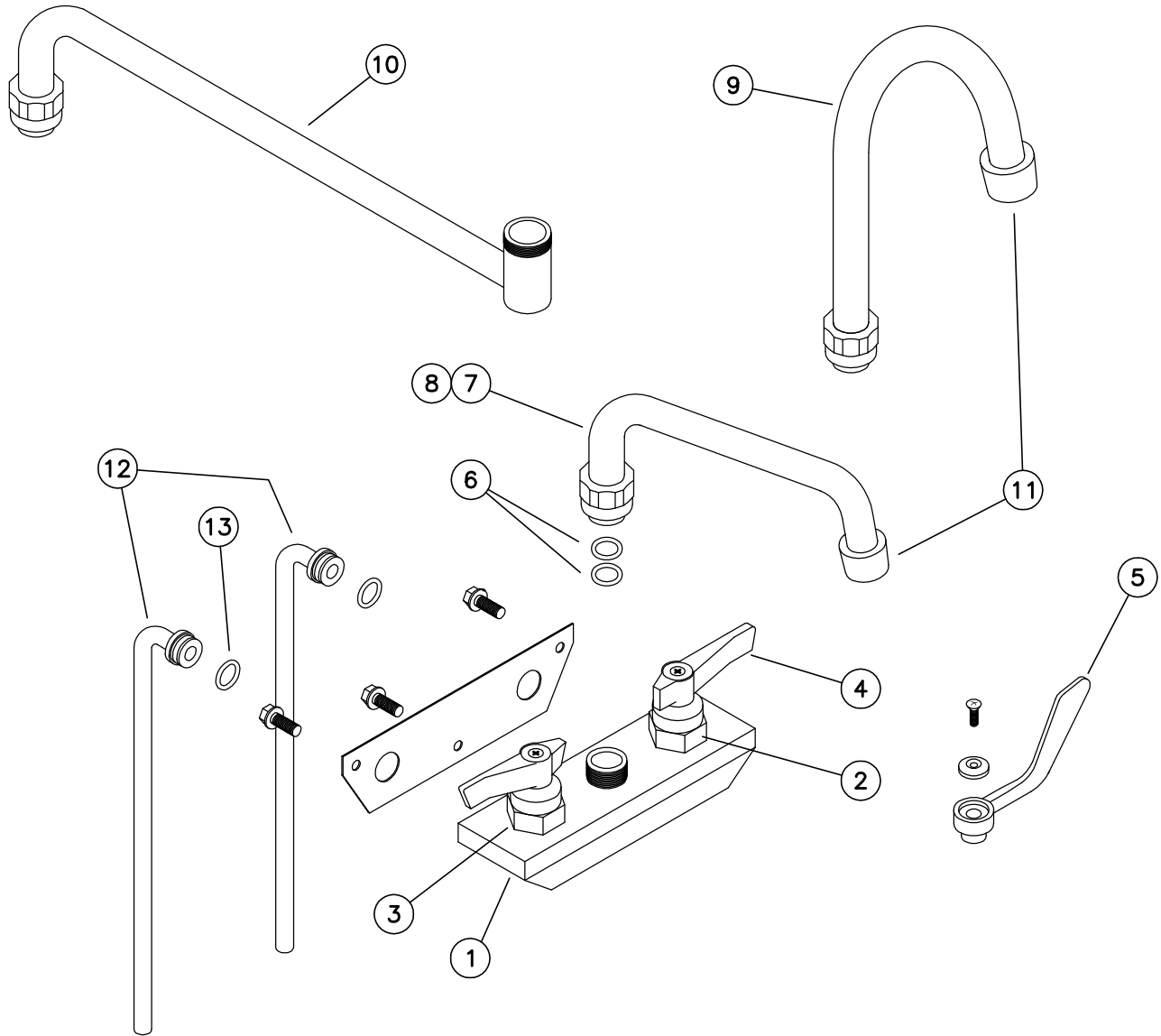


CERTIFIED TO ANSI/NSF-61  
SECTION 9

## 924 SERIES FAUCET PARTS LIST



CERTIFIED TO ANSI/ASME  
A112.18.1M



ITEM	PART NO.	DESCRIPTION
1	40046	Faucet (Less Spout)
2	43704C	Cold Valve Assembly
3	43704H	Hot Valve Assembly
4	43706	Handles(Blade Type Set)
5	43705	Handles(Wrist Blade Set)
6	43689	"O"-Ring
7	40137-6	Spout Assembly 6"Long
8	40137-10	Spout Assembly 10"Long

ITEM	PART NO.	DESCRIPTION
9	43690	Goose Neck Spout
10	40138	Spout Extension 12"Long
11	43688	Aerator
12	43638	Supply Tube
13	18129-112	"O"-Ring

8300 W. Good Hope Road  
P.O. Box 245019  
Milwaukee, Wi. 53224-9519  
Phone (414) 353-7060  
Fax (414) 353-7069



*Systems and products  
for the foodservice  
and brewing industries  
since 1917*

REVISED 1-22-02

TWX 910 262 1129 PERLICK MIL

FORM NO.  
43708