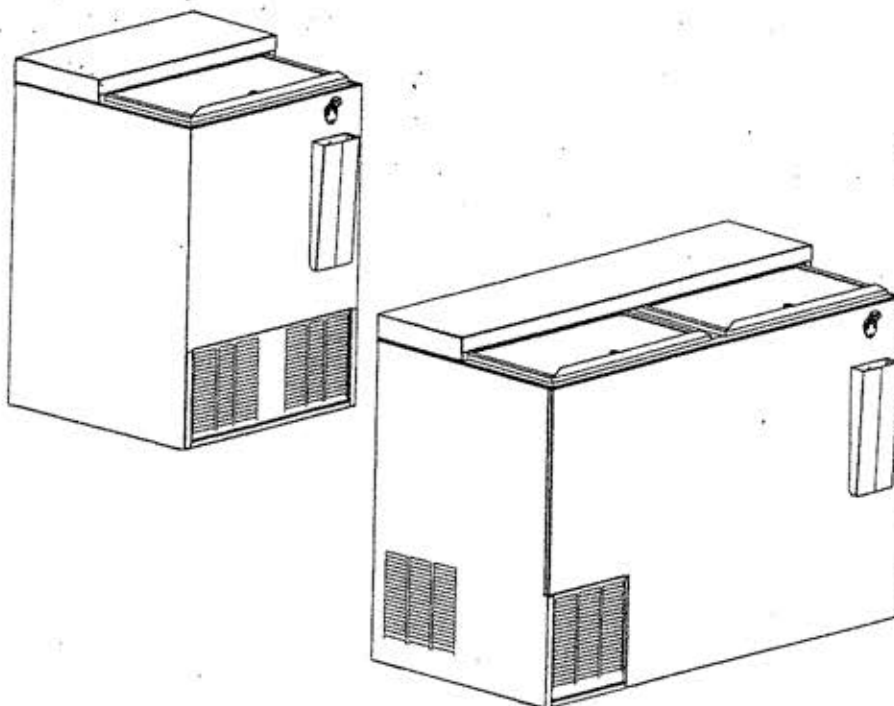


# INSTALLATION AND OPERATION INSTRUCTIONS

## FLAT TOP BOTTLE COOLER

### Model Nos.



BC24-230 Series  
BC36-230 Series  
BC48-230 Series  
BC60-230 Series  
BC72-230 Series  
BC96-230 Series

### IMPORTANT INFORMATION

This manual has been prepared to assist you in the installation of your Bottle Cooler and to acquaint you with its operation and maintenance.

We dedicate considerable time to ensure that our products provide the highest level of customer satisfaction. If service is required, call Perlick at 1-800-777-7267 or your dealer who can provide you with a list of qualified service agents. For your own protection, never return merchandise for credit without our approval.

We thank you for selecting a Perlick product and assure you of our continuing interest in your satisfaction.

### IMPORTANT WARRANTY INFORMATION

A Warranty card is enclosed that must be completed and mailed to the Perlick Corporation to register the warranty. If the card is not returned to Perlick, the warranty period will begin from the date the equipment is shipped from the factory.

### Table of Contents

Cabinet Specifications .....	2
<b>Installing</b>	
Uncrating and Inspection .....	3
Plumbing .....	3
Electrical.....	3
Adjusting Partitions .....	3
Installing Casters and Legs.....	3
Placing the Cabinet.....	3
Sealing to the Floor.....	3
Temperature Control .....	4
Cleaning the Cabinet .....	4
Wiring Diagram .....	5
Replacement Parts .....	6/7



8300 West Good Hope Road • Milwaukee, WI 53223 • Phone 414-353-7060 • Fax 414-353-7069  
Toll Free 800-558-5592 • E-Mail: Perlick@Perlick.com • www.Perlick.com

# Installation and Operating Instructions

## Sizes and Specifications, Flat Top Bottle Coolers

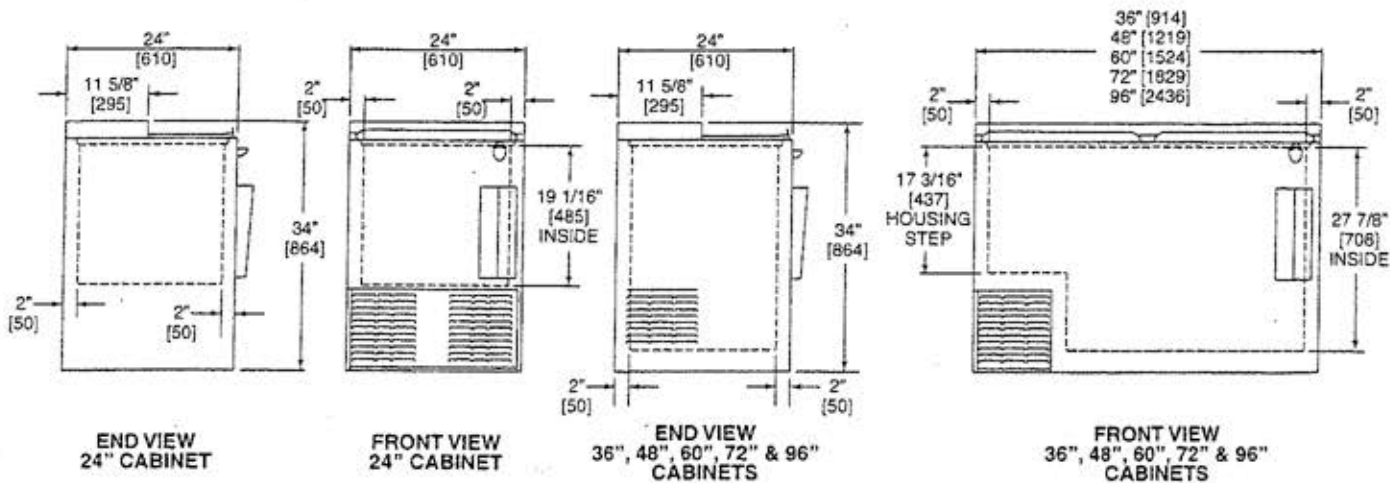
### MODEL NUMBERS

Black	BS24PG	BS36PG	BS48PG	BS60PG	BS72PG	BS96PG
Stainless Exterior	BC24SG	BC36SG	BC48SG	BC60SG	BC72SG	BC96SG
Stainless Interior	BC24SS	BC36SS	BC48SS	BC60SS	BC72SS	BC96SS
All Stainless	BC24AS	BC36AS	BC48AS	BC60AS	BC72AS	BC96AS

### SPECIFICATIONS

LENGTH (mm)	24" (610)	36" (915)	48" (1219)
INTERIOR CU. FT. (m)	3.75 (0.10)	7.83 (0.22)	11.68 (0.33)
CASE CAPACITY (12 oz. Bottles)	5.5	9.75	17.2
CASE CAPACITY (12 oz. Cans)	7	16	25
NUMBER OF BINS	2	2	3
CONDENSING UNIT H.P.	1/5	1/5	1/4
WATTS	415	395	514
SHIP WT lbs. (kg)	190 (86)	245 (111)	300 (160)

INTERIOR	<b>Black and Stainless Exterior Models (PG &amp; SG):</b> Walls are 20 gauge galvanized steel. Floors are 20 gauge, type 304 stainless steel. <b>Stainless Interior and All Stainless Models (SS &amp; AS):</b> Walls and floor are 20 gauge, type 304 stainless steel. <b>All Models:</b> Adjustable vinyl coated wire partitions.
EXTERIOR	<b>Black Model:</b> Front and ends are 20 gauge, black powder coated steel. Back is 20 gauge galvanized steel. Bottom is 18 gauge galvanized steel. <b>Stainless Exterior and Stainless Interior Models:</b> Front and ends are 20 gauge type 304 stainless steel. Back is 20 gauge galvanized steel. Bottom is 18 gauge galvanized steel. <b>All Stainless Models:</b> Front, ends and back are 20 gauge, type 304 stainless steel. Bottom is 18 gauge, type 304 stainless steel. <b>All Models:</b> Top is 20 gauge, type 304 stainless steel. Aluminum front and back grilles and stainless steel cap receivers.
DOORS (Sliding)	18 gauge, type 304 stainless steel top and 20 gauge, type 304 door pan with ABS plastic frame and integral handle. Includes door links.
ELECTRICAL	230 VAC, 50 Hz., 1 phase. Electrical connection to cabinet through an Interpower™ IEC320 power inlet. Carries CE marking of conformity.
PLUMBING	No drain required. Condensate evaporates automatically.
INSULATION	2 inch foamed-in-place polyurethane insulation.
REFRIGERATION	R134a capillary tube/type with hermetic condensing unit. Pulls out for service and cleaning.
VENTILATION	2" model is front vented, all other models require 2" clearance from wall on either left end or back of cabinet for proper air flow.
OPTIONAL ACCESSORIES	<ul style="list-style-type: none"> <li>• Floor racks</li> <li>• Casters</li> <li>• Additional opener and receiver</li> <li>• Additional partitions</li> <li>• Bottle rails</li> <li>• Adjustable legs</li> </ul>



Perlick is committed to continuous improvement. Therefore, we reserve the right to change specifications without prior notice.

# Preparing the Cabinet – Flat Top Bottle Coolers

## Uncrating and Inspection

Remove all crating material before operating. Carefully inspect cabinet for hidden damage. If damage is discovered, file your claim immediately with the transport company. Perlick is not responsible for damage in transit.

## Plumbing

No plumbing connections are required. Condensate from the cooling coil automatically evaporated through a condensate pan located in the condensing unit section.

## Electrical

Electrical connection is through an Interpower™ IEC320 power inlet. Wiring must be done in accordance with all local and national Requirements.

**CAUTION:** Do not attempt to operate the equipment on any other power source than that listed on the Electrical Specification Plate.

## Adjustable Partitions

Perlick Bottle Coolers are provided with adjustable partitions which will accommodate various bottle sizes.

- Remove bottles and cans from their cases before placing in cooler to ensure proper air flow.
- On 2' and 3' models keep air intake open for proper circulation.

## Installing Casters or Legs (optional)

Attach casters or legs to the cabinet bottom in holes provided. Use the supplied 1/4"–20 hex head self-tapping machine screws. If unit is tipped on its back for an extended period of time, wait 24 hours after unit is uprighted to plug the unit in.

## Placing the Cabinet

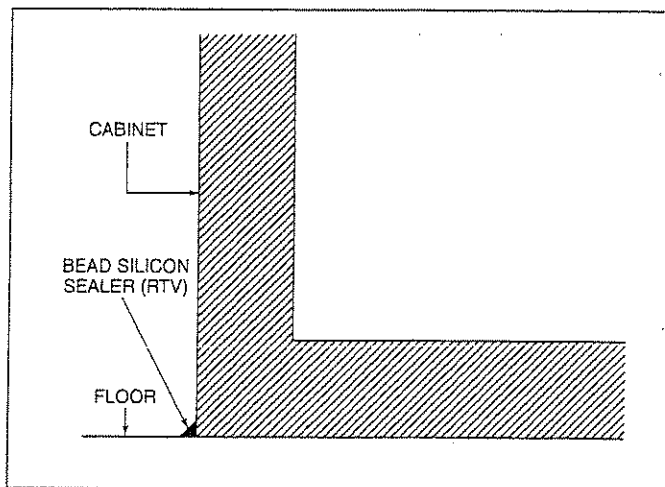
To assure maximum performance, fresh air must be allowed to circulate through the machinery compartment. It is important to allow at least two inches of clearance at the back or left end of the cabinet. Do not place anything in front of the cabinet that would obstruct air flow at these grilles. Do not place the unit in an unventilated small room.

### **CAUTION:**

Removing the factory installed back clearance spacers without providing proper left side grill clearance for compressor air flow will void the warranty.

Cabinet should be leveled.

For sanitation purposes, it may be necessary to seal the base of the cabinet to the floor. This can be accomplished by laying a bead of silicone sealant along the base of the cabinet as shown by the figure below.



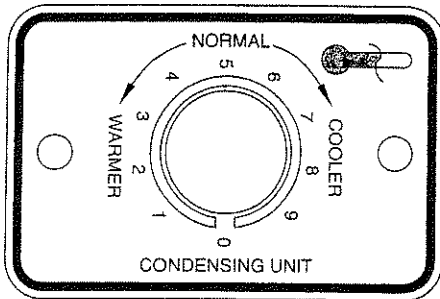
# How To Operate – Flat Top Bottle Coolers

## Temperature Control

An adjustable temperature control is located inside the Bottle Cooler on the evaporator fan panel assembly. It is factory set at "Normal" approximately 38° F. Make adjustments as shown to attain the desired temperature.

NOTE: A temperature setting that is too low will not allow enough condensing unit "off" time to maintain a frost-free coil.

- **Colder Temperatures:** Turn the adjusting screw clockwise (to the right).
- **Warmer Temperatures:** Turn the adjusting screw counterclockwise (to the left).
- **Temperature Control "OFF":** Turn the adjusting screw completely counterclockwise to the "O" position until a "click" is noted.



The condenser fan motor turns off and on with the compressor. The evaporator fan motor runs continuously.

## Cleaning the Condenser:

- The condenser (located behind the front grille) should be inspected every 30 days, and cleaned, if necessary. Failure to keep the condenser clean will cause a loss in condensing unit efficiency, or compressor failure.

## Cleaning the Doors:

- Doors should be periodically removed from the cabinet and inspected for a buildup of foreign materials, such as syrups, beer, etc. Buildups on the underside of the doors, along with the cabinet breaker strips on which they ride, will cause them to bind, and therefore, not function as designed. If dirty, these surfaces should be cleaned with a mild detergent and water and then coated with a silicone lubricating material. Aerosol silicone sprays can be obtained locally at most department or automotive stores.

### To remove doors:

- With door closed, lift it upward by its handle and slide forward until door clears the cabinet top. Use the reverse procedure to reinstall the doors.

## Cleaning the Cabinet:

- Use a damp cloth with a mild detergent and water to clean the inside and outside of the cabinet. Dry thoroughly. Do not allow cleaning agents or large amounts of water to go down the drain. Use an acceptable stainless steel polish to clean all stainless steel surfaces. Never use steel wool or scouring pads to clean stainless steel.

## Avoiding Stainless Steel Corrosion

Corrosion can be prevented by following product cautions, cleaning instructions and avoiding use of certain chemicals or objects which will cause stainless steel corrosion.

### STAINLESS STEEL ENEMY

- Steel wool or steel scouring pads
- Cherry/Orange/Olive juice
- Chlorine Bleach
- Sharp Objects

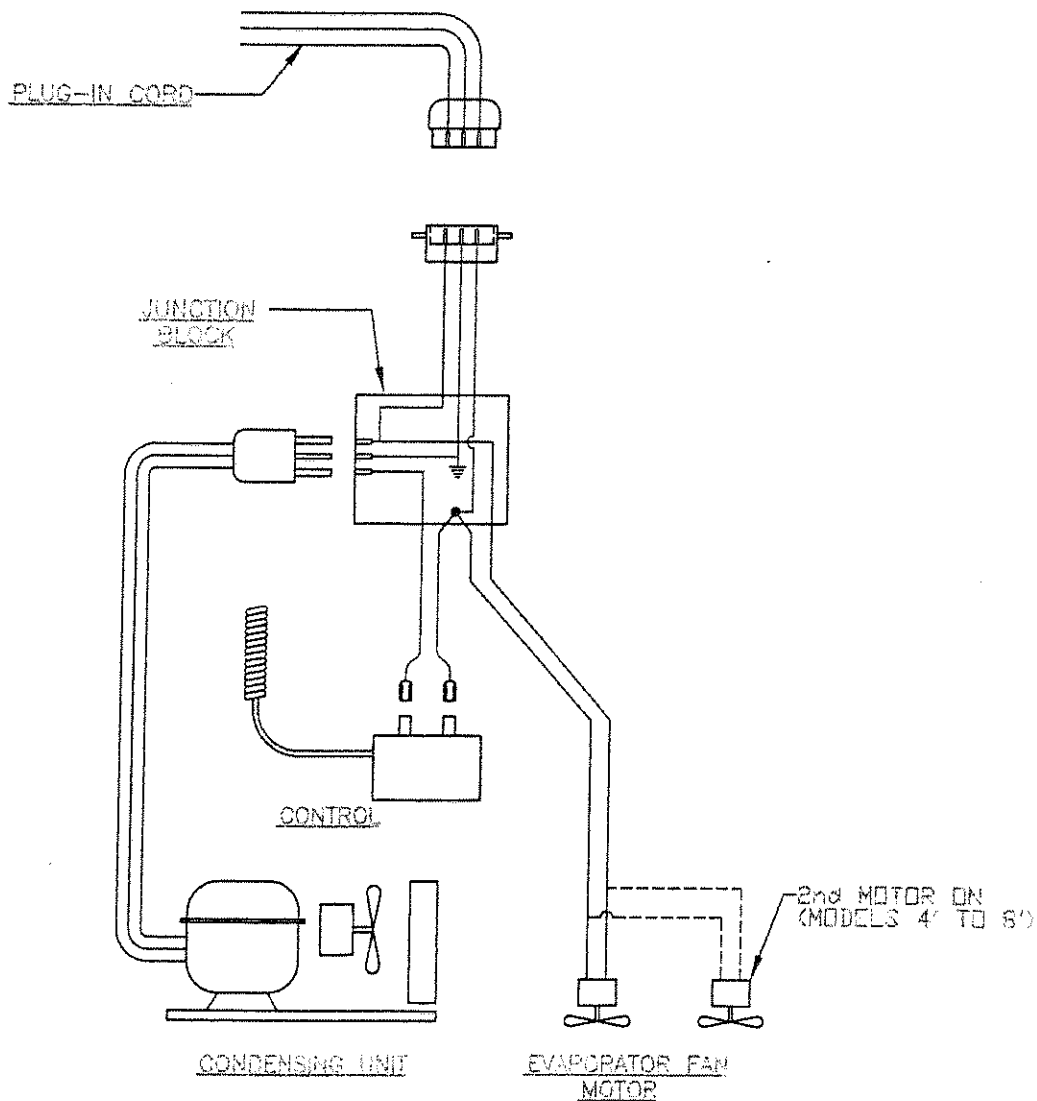


# Wiring Diagram – Flat Top Bottle Coolers

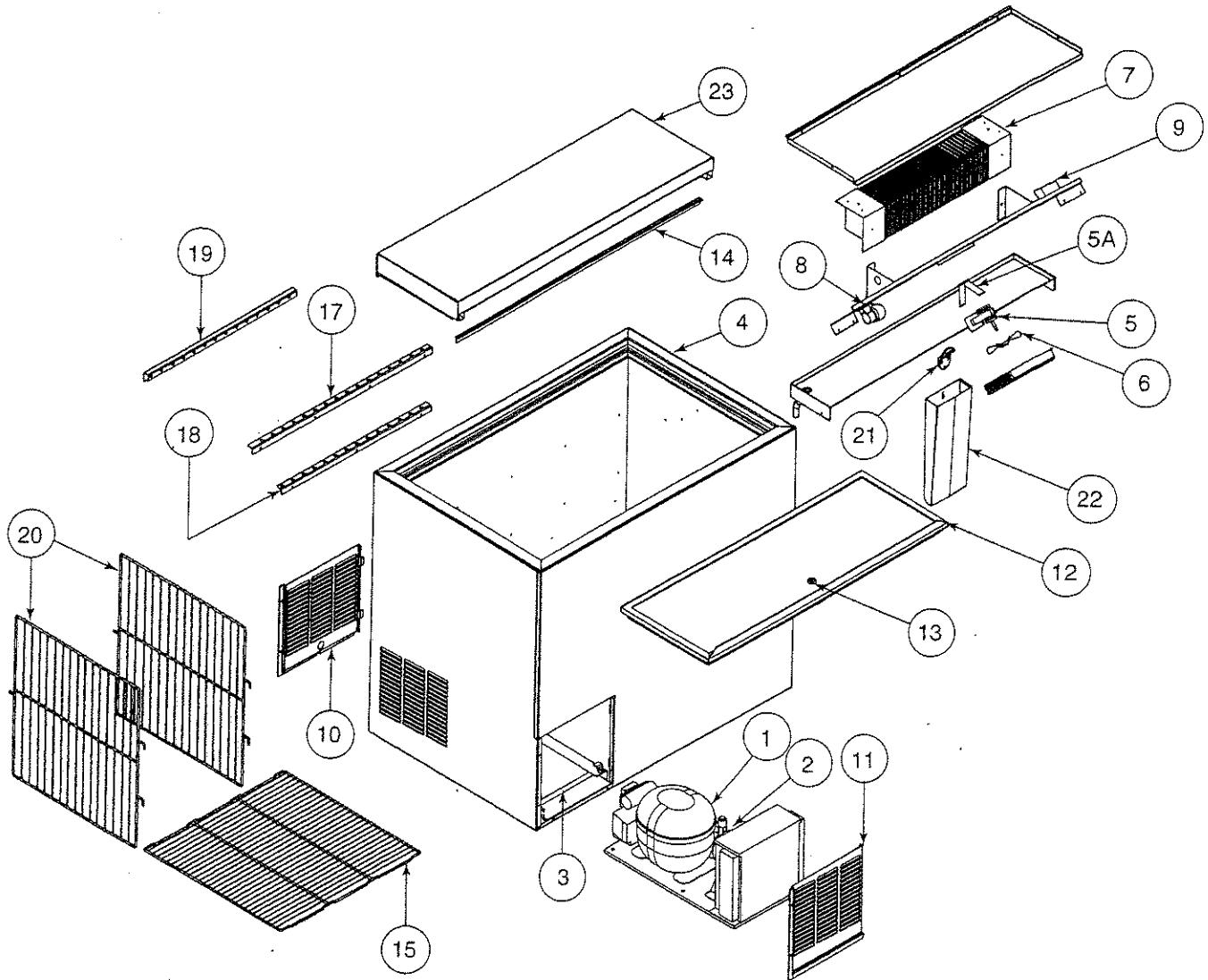
## 230V FLAT TOP BOTTLE COOLERS

Models: BC24-230      BC60-230  
          BC36-230      BC72-230  
          BC48-230      BC96-230

PLUG INTO POWER SOURCE.  
SEE DATA PLATE FOR  
ELECTRICAL SPECIFICATIONS.



# Replacement Parts – Flat Top Bottle Coolers



## CAUTION

- Service should be done by a qualified refrigeration technician.
- Disconnect all power before servicing the cabinet.



Perlick is committed to continuous improvement. Therefore, we reserve the right to change specifications without prior notice.

# Replacement Parts – Flat Top Bottle Coolers

Model Nos.		BC24-230	BC36-230	BC48-230	BC60-230	BC72-230	BC96-230
Item	Description	Part Numbers					
	Complete condensing unit	C22660	C22660	C22655	C22654	C22654	C22654
	Replacement compressor R134a						
	Condensing unit fan motor assy.						
	Terminal Board						
	Overload protector						
	Relay						
	Start Capacitor						
	Condensate pan	64537	64626-1	64626-1	64626-1	64626-1	64626-1
	Breaker strip kit	63608-1	63608-2	63608-3	63608-4	63608-5	63608-6
	Evaporator fan motor	C15239A-230	C15239A-230	C15239A-230	C15239A-230	C15239A-230	C15239A-230
	Evaporator fan motor bracket	65060-1	65060-1	(2) 60988-1	(2) 60988-1	(2) 60988-1	(2) 60988-1
	Evaporator fan blade	63461	63461	(2) 63461	(2) 63461	(2) 63461	(2) 63461
	Evaporator coil	64785-1	C17511-1	C17511-1	C17511-2	C17511-2	C17511-2
	Temperature control	61283	61283	61283	61283	61283	61283
	Back grille	N/A	64644-1-230	64644-1-230	64644-1-230	64644-1-230	64644-1-230
	Front grille	64167A-1	64643-1	64643-1	64643-1	64643-1	64643-1
	Door assembly	64776-24L	64776-36L	(2) 64776-24L	64776-24L	(2) 64776-36L	(2) 64776-36L
	Door assembly (multiple doors)	N/A	N/A	N/A	64776-36L	N/A	64776-24L
	Door lock	63564	63564	63564	63564	63564	63564
	Top wiper gasket	63671-24	63671-36	63671-48	63671-60	63671-72	63671-96
	Bottom floor rack (wide)	64814-1	64814-1	64814-1	64814-1	64814-1	64814-1
	Bottom floor rack (narrow)	64815-1	64815-1	64815-1	64815-1	64815-1	64815-1
	Top front rail	N/A	65013-36	65013-48	65013-60	65013-72	65013-96
	Bottom front rail	65017-24	65017-36	65017-48	65017-60	65017-72	65017-96
	Back rail	65016-24	65016-36	65016-48	65016-60	65016-72	65016-96
	Divider rack	64813-1	(2) 64719-1	(2) 64719-1	(3) 64719-1	(4) 64719-1	(6) 64719-1
	Bottle cap opener	C6713-1	C6713-1	C6713-1	C6713-1	C6713-1	(2) C6713-1
	Bottle cap holder	C17332	C17332	C17332	C17332	C17332	(2) C17332
	Bottle cap holder screws	(2) M00504122	(2) M00504122	(2) M00504122	(2) M00504122	(2) M00504122	(4) M00504122
	Bottle cap holder spacers	(2) C122-2	(2) C122-2	(2) C122-2	(2) C122-2	(2) C122-2	(4) C122-2
	Back top assembly	64692-24A	64692-36A	64692-48A	64692-60A	64692-72A	64692-96A
<b>ITEMS NOT SHOWN</b>							
	Wire harness	61351-1	61351-1				
	Evaporator tube (1 1/4" U. bend)	63553-1	63553-1	63553-1	63553-1	63553-1	63553-1
	Evaporator tube (4 1/8" U. bend)	63554-1	63554-1	63554-1	63554-1	63554-1	63554-1
	Cap tube/suction line heat exch. W/drier	65072	65072	65073	65075	65075	65075
	Mullion assembly	N/A	N/A	64823R	64823R	64823R	(2) 64823R
	Refrigerant charge (oz. R134a)	6.0	8.5	9.0	9.0	9.0	9.0

Perlick is committed to continuous improvement. Therefore, we reserve the right to change specifications without prior notice.

