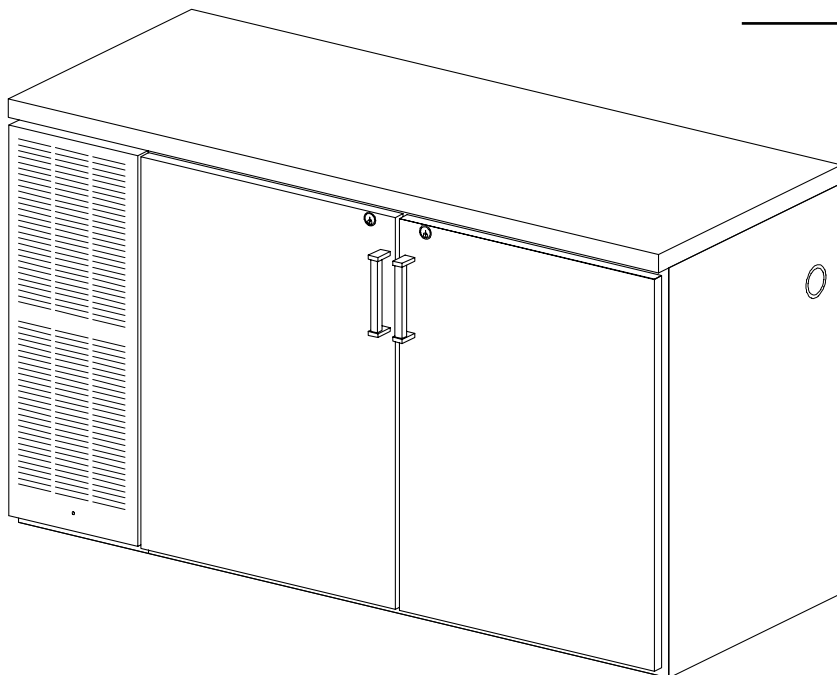


# INSTALLATION AND OPERATION INSTRUCTIONS STANDARD BACK BAR COOLERS, SELF CONTAINED

## MODEL NOS.

CS Series



ANSI / NSF #7



### IMPORTANT INFORMATION

Fill out the enclosed warranty card and mail to the Perlick Corporation to register the warranty. If the card is not returned, the warranty period will begin from the date the equipment is shipped from the factory.

This manual has been prepared to assist you in the installation of your Cabinet and to acquaint you with its operation and maintenance.

We dedicate considerable time to ensure that our products provide the highest level of customer satisfaction. If service is required, your dealer can provide you with a list of qualified service agents. For your own protection, never return merchandise for credit without our approval.

We thank you for selecting a Perlick product and assure you of our continuing interest in your satisfaction.

**WARNING: When lifting, the full weight of the cabinet must be supported. Lift from the cabinet base and not from the top. Improper lifting can result in severe damage to the cabinet.**

### Table of Contents

#### PREPARING THE CABINET FOR USE

Specifications.....	2
List of Included Parts.....	3
Tools Required.....	3
Plumbing.....	3
Electrical .....	3
Installing Casters or Legs .....	3

#### TEMPERATURE

Refrigeration and Temperature Control .....	4
---	---

#### CLEANING

Cleaning the Cabinet.....	4
Replacement Parts .....	5
Cleaning Stainless Steel.....	6
Wiring Diagram.....	7



# Installation and Operating Instructions

## Sizes and Specifications, Standard Back Bar Coolers – Self-Contained



ANSI / NSF #7

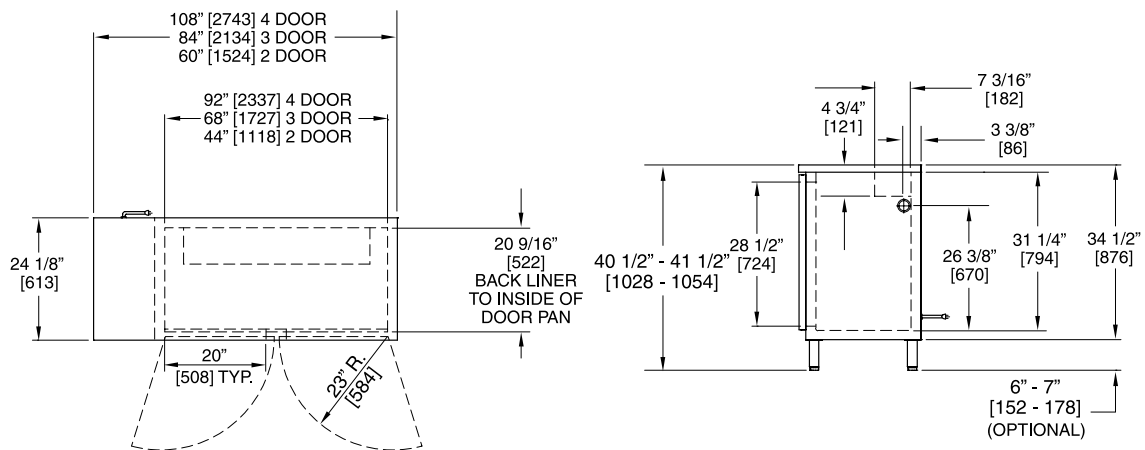
### MODEL NUMBERS

BLACK FINISH	CS2DPSP	CS3DPSP	CS4DPSP
BLACK W/GLASS DOORS	CS2DPSG	CS3DPSG	CS4DPSG
STAINLESS STEEL FINISH	CS2DSSS	CS3DSSS	CS4DSSS
STAINLESS W/GLASS DOORS	CS2DSST	CS3DSST	CS4DSST

### SPECIFICATIONS

NUMBER OF DOORS	2	3	4
CABINET LENGTH Ins. (mm)	60" (1524)	84" (2134)	108" (2743)
NUMBER OF SHELVES	4	6	8
CONDENSING UNIT H.P.	1/4	1/3	1/3
RUNNING LOAD - AMPS	5.9	7.5	7.5
SHIP WT lbs. (kg)	380 (172)	490 (222)	630 (286)
INTERIOR	Fourteen gauge stainless steel sills are reinforced with a 12 gauge angle bracket that extends from one end of the insulated base to the other. The floor pan is 20 gauge, type 304 stainless steel. The walls and ceiling are 20 gauge galvanized steel.		
EXTERIOR	<b>All Models:</b> The top is 20 gauge stainless steel. The back is 20 gauge galvanized steel. Bottom is 20 gauge stainless steel. <b>Black Models:</b> Doors, front and sides are 20 gauge black powder coated steel. <b>Stainless Models:</b> Doors, front and sides are 20 gauge stainless steel.		
REFRIGERATION	R-134a capillary tube-type. Aluminum fin and copper tube evaporator coil. Adjustable temperature control. Self-defrosting. Pull-out condensing unit for easy service and cleaning. Compressor left.		
VENTILATION	Front ventilated.		
ELECTRICAL	115 Volt, 60 Hz., 1 Phase AC. Furnished with three-prong, six foot rubber cord. Contact Perlick for other voltage/frequency requirements.		
PLUMBING	Floor drain 3/4" female taper pipe exits out right bottom or right end (for optional use). None required. Condensate evaporates automatically.		
INSULATION	Foamed-in-place polyurethane; 2" walls, 1 1/2" top and floor.		
OPTIONAL ACCESSORIES	<ul style="list-style-type: none"> <li>• Leg Set</li> <li>• Caster Sets</li> <li>• Base Plate Set</li> <li>• End Plate</li> <li>• Glass Doors w/Black Frame</li> </ul>		

\* NOTE: This equipment is intended for the storage and display of non-potentially hazardous bottle and canned products only.



Perlick is committed to continuous improvement. Therefore, we reserve the right to change specifications without prior notice.

# Preparing the Cabinet for Use – Standard Back Bar Coolers

---

## Parts List

---

- (2) Shelves Per Door.
- Mini-Fluorescent Lights.
- Shelf Clips.

## Tools Required

---

- #2 Phillips Screwdriver.
- 10" Crescent Wrench.
- $\frac{3}{8}$ " Nut driver.
- $\frac{9}{16}$ " Allen Wrench.
- Power Drill or Driver *(for leg installation)*.

## Plumbing

---

Self-Contained models — None required, condensate evaporates automatically.

## Electrical

---

The cabinet must be connected to a separately fused power source (see electrical specification plate) and grounded in accordance with National and Local Electrical Codes. Caution: Do not attempt to operate the equipment on any other power source than that listed on the Electrical Specification plate.

## Uncrating and Inspection

---

Remove all crating material before operating. Carefully inspect cabinet for hidden damage. If damage is discovered, file your claim immediately with the transportation company. Perlick is not responsible for damage in transit.

## Placing the Cabinet

---

Push the cabinet into place using rollers when necessary. Important: Proper air flow around the condensing unit is necessary for efficient operation. Never obstruct the air flow in and out of the condensing unit compartment.

## Leveling the Cabinet

---

When the cabinet is in place, check installation with a carpenter's level. When perfectly level, accumulated water will drain out. A slight pitch to the drain side will not harm the cabinet. Water may accumulate if cabinet is pitched to the opposite side.

## Installing Casters or Legs (Optional)

---

Attach casters or legs to cabinet bottom in holes provided. Use the supplied  $\frac{1}{4}$ "- 20 x  $\frac{3}{4}$ " hex head self-tapping machine screws.

## Installing Base Plate (Optional)

---

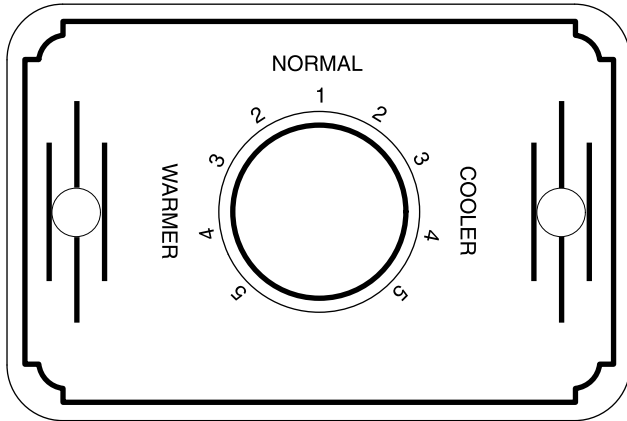
Attach brackets to cabinet bottom in holes provided. Use #10 self-drilling hex sheet metal screws (see separate instructions.) When returning cabinet to upright position, be careful not to bend brackets.

**WARNING -  
TO AVOID COMPRESSOR DAMAGE**  
After returning the cabinet to an upright position, let it stand for 24 hours before plugging it in and running the unit.

# General Information – Standard Back Bar Coolers

## Refrigeration and Temperature Control

The Back Bar Cabinet is equipped with a heavy-duty refrigeration system designed to automatically maintain a storage temperature of 36-41 degrees F. The control is factory set at 38 degrees F.



## To Adjust the Temperature:

The temperature control is inside the cabinet on the right-hand side of the evaporator fan panel assembly. You will need a screwdriver to turn the adjusting screw. Make small adjustments until the desired temperature is achieved.

- **Colder Temperatures:** Turn the adjusting screw clockwise (to the right)
- **Warmer Temperatures:** Turn the adjusting screw counterclockwise (to the left.)

The condenser fan motor turns off and on with the condensing unit. The evaporator fan motor runs continuously. The fan motors are lifetime lubricated and will require no oiling.

NOTE: Cabinet temperatures lower than 34° will not allow for proper defrosting of the evaporator coil. If defrosting is necessary, turn the control knob to the OFF position until coil is defrosted.

## Cleaning the Cabinet:

- Disconnect all power prior to cleaning.
- Use a mild detergent and water to clean the inside and outside of the cabinet.
- Inspect and clean the fan, evaporator coil and light channel areas as necessary.
- Dry thoroughly.

CAUTION: Never use a scouring pad or abrasive cleaners.

## Cleaning the Condenser:

Use a stiff brush to clean the dirt from the front surface of the condenser. Keeping the condenser free from dust and dirt will ensure efficient operation.

CAUTION: Do not bend the fins while brushing the front of the condenser.



Perlick is committed to continuous improvement. Therefore, we reserve the right to change specifications without prior notice.

# Replacement Parts – Standard Back Bar Coolers

**MODEL NOS.** Serial numbers above 500,000

<b>BLACK FINISH</b>		CS2DPSP	CS3DPSP	CS4DPSP
	Left door	64357SLBL	64357SLBL	64357SLBL
	Right door	64357SRBL	64357SRBL	64357SRBL
<b>BLACK W/GLASS DOORS</b>		CS2DPSPG	CS3DPSPG	CS4DPSPG
	Left door	64360SLBL	64360SLBL	64360SLBL
	Right door	64360SRBL	64360SRBL	64360SRBL
<b>STAINLESS STEEL FINISH</b>		CS2DSSS	CS3DSSS	CS4DSSS
	Left door	64357SLSS	64357SLSS	64357SLSS
	Right door	64357SRSS	64357SRSS	64357SRSS
<b>STAINLESS W/GLASS DOORS</b>		CS2DSST	CS3DSST	CS4DSST
	Left door	64360SLSS	64360SLSS	64360SLSS
	Right door	64360SRSS	64360SRSS	64360SRSS

**All Models**

Magnetic door gasket	62085-1	62085-1	62085-1
Hinge set, left	63407L	63407L	63407L
Hinge set, right	63407R	63407R	63407R
Bulb clamp	C6634	C6634	C6634
Wiring harness	61354-1	61354-1	61354-1
Evaporator fan motor	C15239A	C15239A	C15239A
5½" diameter fan blade	57699	57699	57699
Fan guard assembly	C25395	C25395	C25395
Pilaster strip 17 <sup>7</sup> / <sub>8</sub> " long	C19271-1	C19271-1	C19271-1
Screw, Thumb #8 x ½" long	M50035-122	M50035-122	M50035-122
Condenser housing grille	62562A1	62562A1	62562A1
Foam gasket grille	63044-1	63044-1	63044-1
Condensing Housing back panel	60976-1G	60976-1G	60976-1G
10x1 Phillips head pan A sheet metal screw, zinc	M50048-127	M50048-127	M50048-127
Shelf kit, end	57928	57928	57928
Plug-in fluorescent light	57822	57822	57822

**Condensing units (2 door models)**

¼ h.p. condensing unit 115 volt, 60 hz.	C22647	N/A	N/A
Condensing unit (model UF110HBX)	515301063	N/A	N/A
Compressor (model FF110HBX)	513200314	N/A	N/A
Fan Motor Assembly	215315009	N/A	N/A
Condenser coil	15352019	N/A	N/A
Terminal board	219101538	N/A	N/A
Overload protector	MRT20AGK5590	N/A	N/A
Relay	21351619	N/A	N/A
Capacitor (282-339 MFD. 155V)	13556529	N/A	N/A
Coil assembly 2 door SC BB	62210A1*	N/A	N/A
Fin coil, evaporator	C17511-1	N/A	N/A

**Condensing units (3 & 4 door models)**

⅓ h.p. condensing unit 115 volt	N/A	C22646	C22646
Condensing unit (model UF112HBX)	N/A	515301062	515301062
Compressor (model FF112HBX)	N/A	513200003	513200003
Fan Motor Assembly	N/A	215315009	215315009
Condenser coil	N/A	15352019	15352019
Terminal board	N/A	219101538	219101538
Overload protector	N/A	MRT22AFZ5590	MRT22AFZ5590
Relay	N/A	21351619	21351619
Capacitor (378-454 MFD. 115V)	N/A	13556532	13556532
Coil assembly ¾ door SC BB	N/A	62210A2*	62210A2*
Fin coil, evaporator	N/A	C17511-2	C17511-2
Shelf kit, center	N/A	57929	57929

\*Contact Perlick Service department (800) 777-7267 for local distributors

Perlick is committed to continuous improvement. Therefore, we reserve the right to change specifications without prior notice.



# Cleaning Stainless Steel – Standard Back Bar Coolers

## Recommended Cleaning Agents

JOB	CLEANING AGENT*	COMMENTS
Routine Cleaning	Soap, ammonia, detergent	Apply with sponge or cloth. Can be used on all finishes.
Fingerprints and smears	Areal 20, Lac-O-Nu, Lumin Wash, O'Cedar Cream Polish fingerprints.	Provides barrier film to minimize Can be used on all finishes.
Stubborn stains and Discolorations	Allchem Concentrated Cleaner, Samae, Twinkle, Zud Restoro, Grade F or FFF Italian Pumice, Whiting or Talc, Liquid Nu Steel, Copper's or Revere Stainless Steel Cleaner, Lumin Cleaner, Sta-Clean, Cameo Copper Cleaner, Allen Polish Highlite, Penny-Brite, Copper Brite	Rub lightly, using dry or damp cloth in the direction of polish lines on the stainless steel.

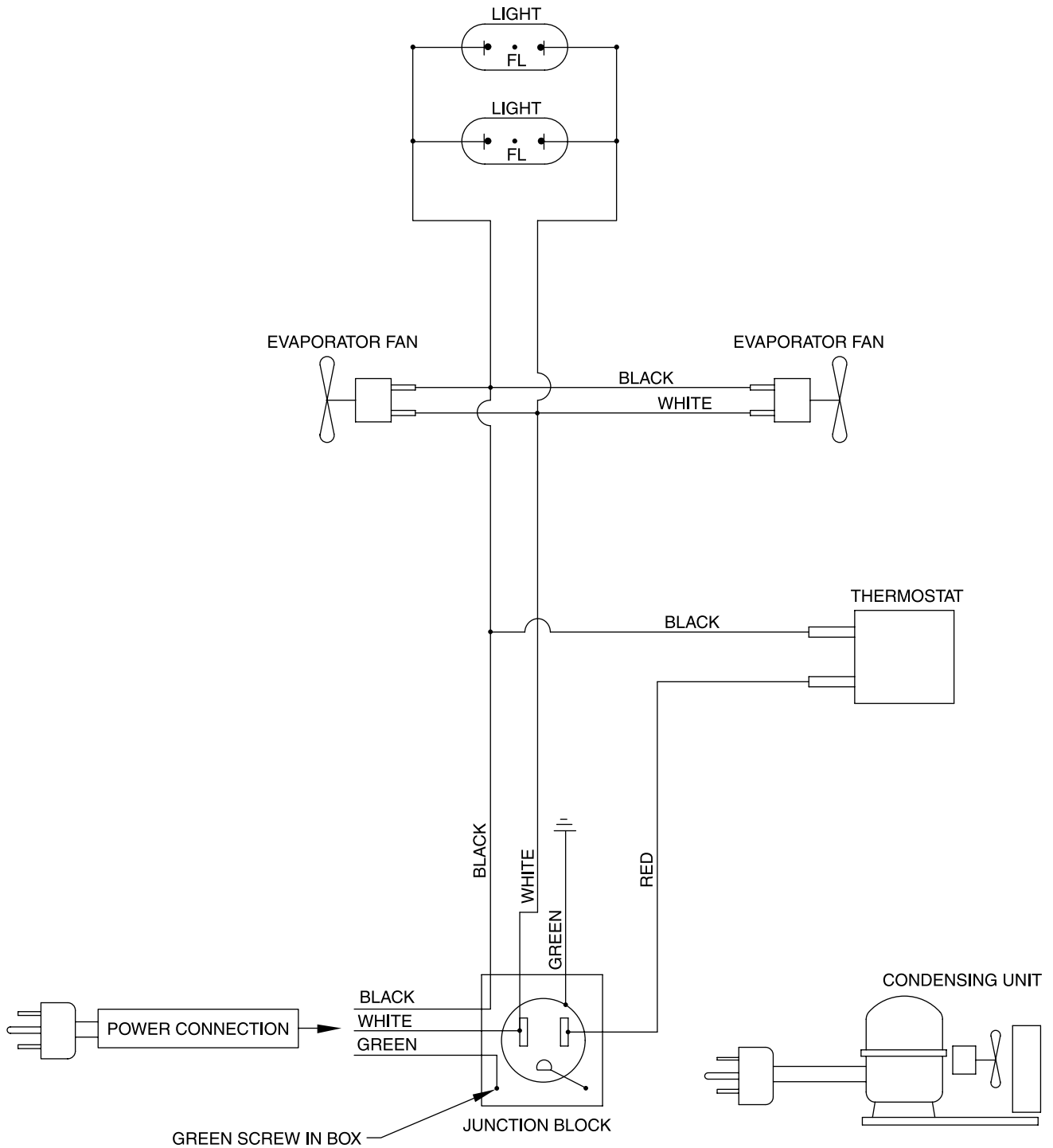
\* Use of propriety names is intended only to indicate a type of cleaner and does not constitute an endorsement.  
Omission of any proprietary cleaner does not imply its inadequacy. All products should be used in strict accordance with instructions on the package.

NOTE: Do Not Use Steel Wool or Scouring Pads to clean stainless steel.



Perlick is committed to continuous improvement. Therefore, we reserve the right to change specifications without prior notice.

# Wiring Diagram – Standard Back Bar Coolers





8300 West Good Hope Road • Milwaukee, WI 53223 • Phone 414-353-7060 • Fax 414-353-7069  
Toll Free 800-558-5592 • E-Mail: [Perlick@Perlick.com](mailto:Perlick@Perlick.com) • [www.Perlick.com](http://www.Perlick.com)

Perlick is committed to continuous improvement. Therefore, we reserve the right to change specifications without prior notice. Form No. Z2087A  
Rev. 08.03.04