



IMPORTANT FOR FUTURE REFERENCE

Please complete this information and retain this manual for the life of the equipment:

Model #: _____

Serial #: _____

Date Purchased: _____

Exploded Parts Manual

PE14D: Electric Floor Model Pasta Cooker

Built after 2/2009





TO THE PURCHASER, OWNER AND STORE MANAGER

Please review these warnings prior to posting in a prominent location for reference.

WARNING

DO NOT store or use gasoline or other flammable vapors and liquids in the vicinity of this or any other appliance.

WARNING

Improper installation, alteration, service or maintenance can cause property damage, injury or death. Read the installation, operating and maintenance instructions thoroughly before installing or servicing this appliance.

WARNING

Installation, maintenance and repairs should be performed by a Pitco Authorized Service and Parts (ASAP) company technician or other qualified personnel. Installation, maintenance or repairs by an unauthorized and unqualified personnel will void the warranty.

WARNING

Installation and all connections must be made according to national and local regulations and codes in force.

WARNING

During the warranty period if a customer elects to use a non-original part or modifies an original part purchased from Pitco and/or its Authorized Service and Parts (ASAP) companies, this warranty will be void. In addition, Pitco and its affiliates will not be liable for any claims, damages or expenses incurred by the customer which arises directly or indirectly, in whole or in part, due to the installation of any modified part and/or received from an unauthorized service center.

WARNING

This appliance, when installed, must be electrically grounded in accordance with local codes, or in the absence of local codes, with the National Electrical Code, ANSI/NFPA 70, or the Canadian Electrical Code, CSA C22.2, as applicable.

WARNING

Adequate means must be provided to LIMIT the movement of this appliance without depending on the gas or electrical cord connection. Single appliances equipped with legs must be stabilized by installing anchor straps. All appliances equipped with casters must be stabilized by installing restraining chains.

WARNING

DO NOT alter or remove structural material on the appliance to accommodate placement under a ventilation hood.

WARNING

If the appliance is equipped with a power cord and it is damaged, it must be replaced by a Pitco Authorized Service and Parts (ASAP) company technician, or a similarly qualified person in order to avoid a hazard.

WARNING

The power supply must be disconnected before servicing, maintaining or cleaning this appliance.

WARNING

The appliance is NOT jet stream approved. DO NOT clean the appliance with a water jet.

WARNING

DO NOT attempt to move this appliance or transfer hot liquids from one container to another when the unit is at operating temperature or filled with hot liquids. Serious personal injury could result if skin comes in contact with the hot surfaces or liquids.

WARNING

DO NOT sit or stand on this appliance. The appliance's front panel, tank, splash back, tank cover, workshelf, drain board is not a step. Serious injury could result from slipping, falling or contact with hot liquids.

WARNING

NEVER use the appliance as a step for cleaning or accessing the ventilation hood. Serious injury could result from slips, trips or from contacting hot liquids.

WARNING

Completely shut the appliance down when liquid is being drained from the appliance. This will prevent the appliance from heating up during the draining and filling process. Serious injury can occur.

WARNING

DO NOT operate appliance unless all panels and access covers are attached correctly.

WARNING

It is recommended that this appliance be inspected by a qualified service technician for proper performance and operation on a yearly basis.

WARNING

A country approved all pole circuit breaker with a minimum open contact gap of 3mm must be used for proper installation. (CE countries)

PE14D EXPLODED 2

 PE14D Exploded Drawing List..... 2

 PE14D Exploded Drawing 3

A) TANK..... 4

 Tank Assembly Drawing A Parts List 4

 Tank Assembly Drawing A..... 5

B) CABINET 6

 Cabinet Drawing B Parts List 6

 Cabinet Drawing B 7

C) ENTRANCE BOX..... 8

 Entrance Box Drawing C Parts List 8

 Entrance Box Drawing C..... 9

D) FRONT PANEL BEZEL 10

 Front Panel Bezel Drawing D Parts List 10

 Front Panel Bezel Drawing D..... 11

E) DOOR & ELEMENT SHIELD..... 12

 Door & Element Shield Drawing E Parts List..... 12

 Door & Element Shield Drawing E 13

F) DUAL BASKET LIFT OPTION 14

 Dual Basket Lift Option Drawing F Parts List 14

 Dual Basket Lift Option Drawing F..... 15

G) SINGLE BASKET LIFT OPTION 16

 Single Basket Lift Option Drawing G Parts List 16

 Single Basket Lift Option Drawing G 17

H) MANUAL FILL OPTION 18

 Manual Fill Option Drawing H Parts List 18

 Manual Fill Option Drawing H..... 19

I) MIXING VALVE OPTION..... 20
 Mixing Valve Option Drawing I Parts List..... 20
 Mixing Valve Option Drawing I 21

J) FAUCET OPTION 22
 Faucet Option Drawing J Parts List..... 22
 Faucet Option Drawing J 23

K) BATTERY OPTION 24
 Battery Option Drawing K Parts List..... 24
 Battery Option Drawing K 25

L) ACCESSORIES 26
 Accessories Drawing L Parts List..... 26
 Accessories Drawing L 27

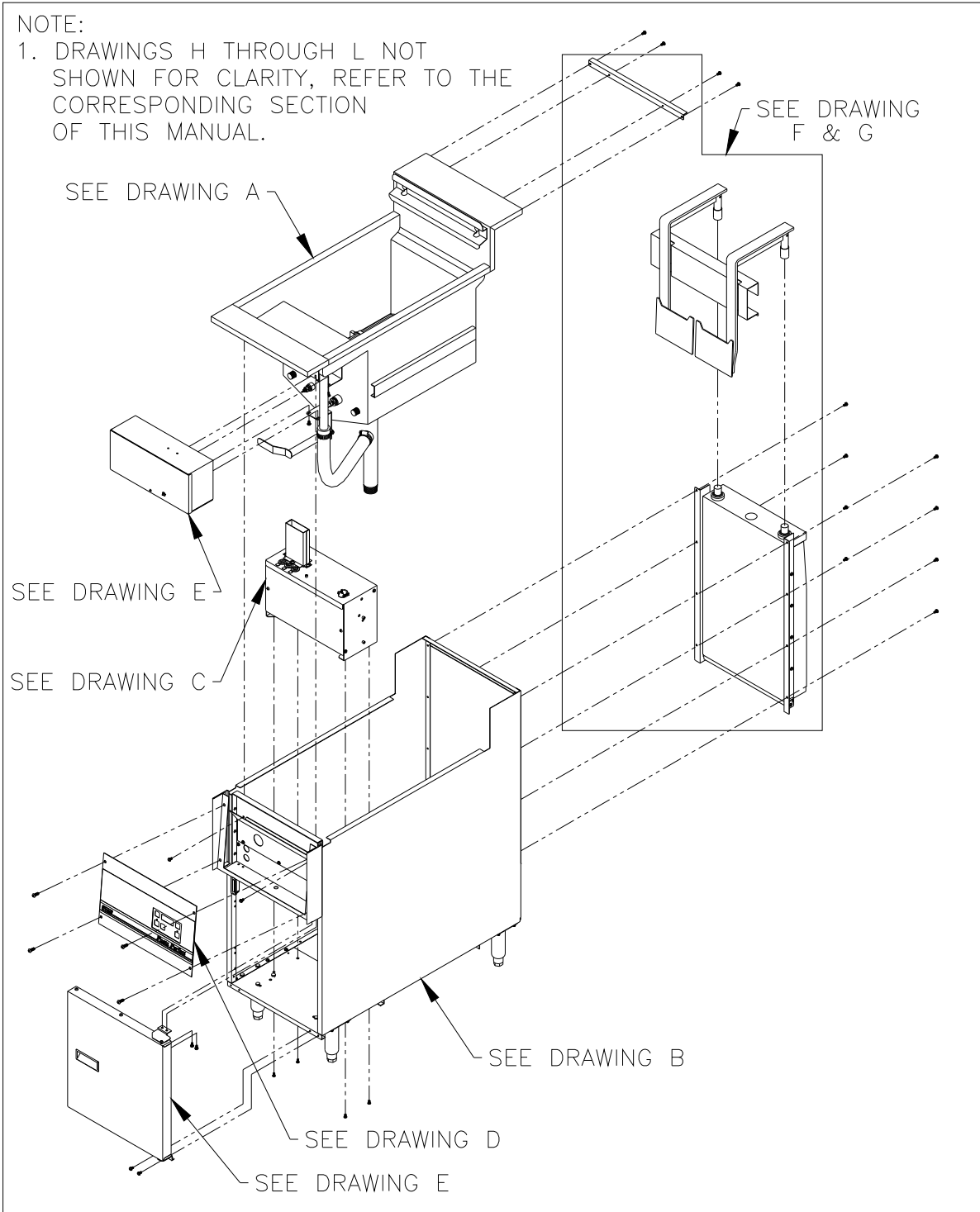


PE14D Exploded

PE14D Exploded Drawing List

PAGE	DRAWING	DESCRIPTION
5	A	TANK ASSEMBLY
7	B	CABINET ASSEMBLY
9	C	ENTRANCE BOX ASSEMBLY
11	D	FRONT PANEL BEZEL ASSEMBLY
13	E	DOOR AND ELEMENT SHIELD ASSEMBLY
15	F	DUAL BASKET LIFT OPTION
17	G	SINGLE BASKET LIFT OPTION
19	H	MANUAL FILL OPTION
21	I	MIXING VALVE OPTION
23	J	FAUCET OPTION
25	K	JOINING KIT OPTION
27	L	ACCESSORIES

PE14D Exploded Drawing



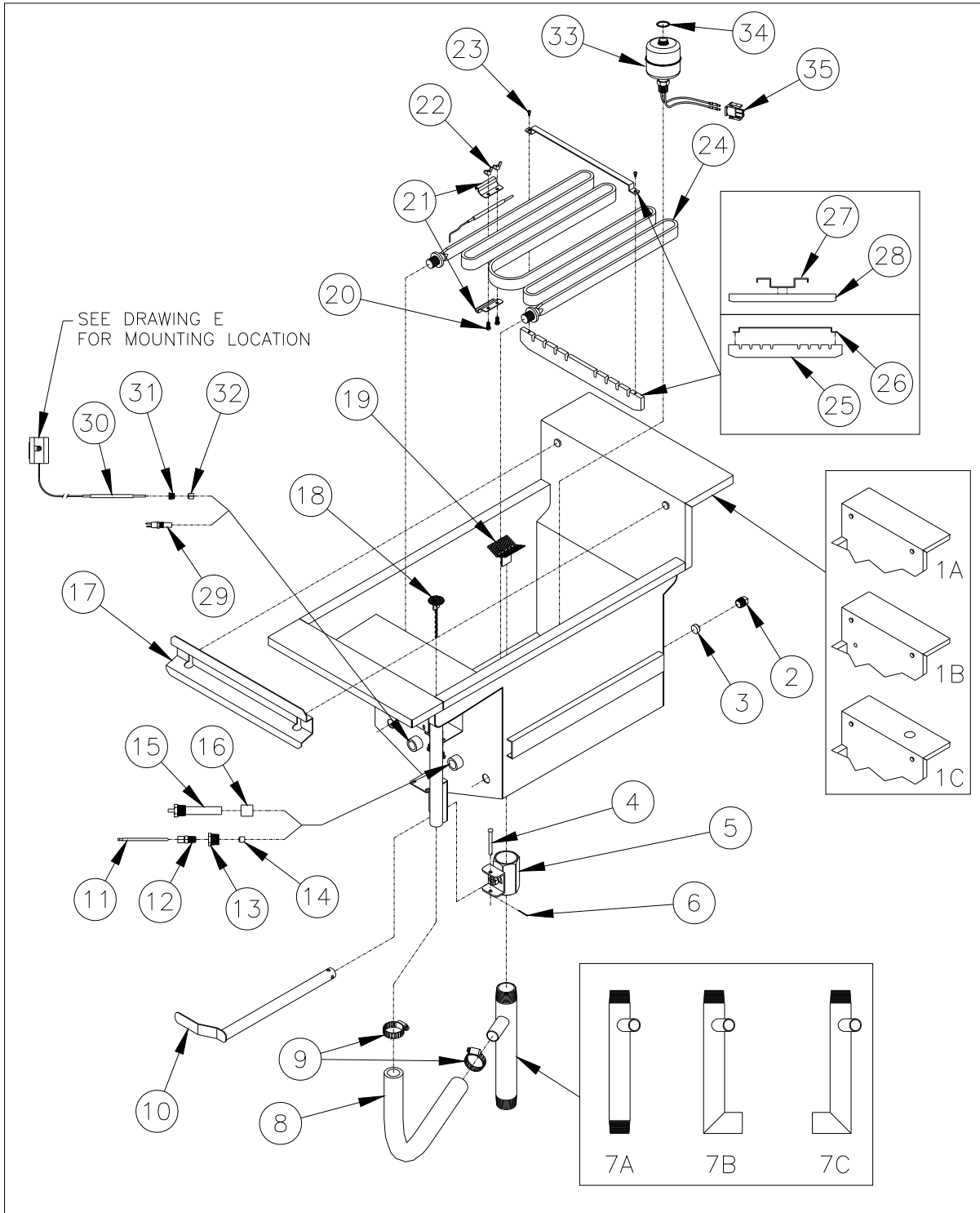


A) Tank

Tank Assembly Drawing A Parts List

ITEM #	PART #	PART DESCRIPTION
1A	B3318201-C	TANK WELDMENT PE14D
1B	B3318202-C	TANK WELDMENT PE14D W/MIXING VALVE
1C	B3318203-C	TANK WELDMENT PE14D W/FAUCET
2	PP10839	PLUG SST (316) 3/8 SQUARE HEAD
3	A3316001	TANK COUPLING PLUG FLUROPOLYMER PG14, PE14D
4	P0190145	PIN CLEVIS 1/4 OD X 2-1/4 LONG
5	PP10565	VALVE BALL 1-1/4 STANDARD PORT SST
6	P0190200	PIN COTTER 1/16 X 3/4 LONG ZN
7A	B8018104	PIPING TUBE DRAIN PE14D
7B	B8017905	PIPING TUBE DRAIN LH PE14D
7C	B8017906	PIPING TUBE DRAIN RH PE14D
8	A3318603-C	TANK HOSE OVERFLOW 22.0 RTG18 PG14D
9	PP10620	CLAMP HOSE WORMGEAR #20
10	B4000802-C	HANDLE VALVE WELDMENT PPE14,PPG14
11	PP10949	PROBE PG14D, PE14D
12	P5045047	CONNECTOR PROBE SST
13	PP10938	BUSHING REDUCER HEX 1/2 X 1/4 NPT 316 SST
14	A3316203	TANK SEAL PROBE FLUROPOLYMER
15	P5047581	THERMOSTAT 1C1B2 (ELEC PASTA)
16	A3316101	TANK SLEEVE FLUROPOLYMER PG14,PE14,CPE14
17	A1101602-C	BASKET HANGER PG14D, PE14D
18	B3305301-C	TANK SCREEN DRAIN OVERFLOW WELDMENT PPE14D
19	B3305401-C	TANK SCREEN DRAIN VALVE WELDMENT PPE14
20	P0112000	SCREW 10-24 X 1/2 HEX HEAD CAP SST
21	A1407802-C	CLAMP BULB HI-LIMIT PE14D
22	PP10568	NUT WING 10-24 SS
23	PP10665	SCREW 10-24 X 3/8 ROUND HEAD SST
24	60116501	ELEMENT FLAT BAR 12.5KW 240V
24	PP11209	ELEMENT FLAT BAR 12.5KW 208V
24	PP11210	ELEMENT FLAT BAR 12.5KW 230V
25	A3343502	TANK ELEMENT HOLD DOWN PLATE PE14D
26	A3343402	TANK ELEMENT HOLD DOWN BRACKET PE14D
27		OBS, REPLACE WITH ITEMS 25 & 26
28		OBS, REPLACE WITH ITEMS 25 & 26
29		DO NOT USE, REPLACE WITH B8702601-CL
30	PP10803	SWITCH HI LIMIT 250F LB117-026
31	PP10658	BUSHING REDUCER HEX 3/8 X 1/4 NPT BRASS
32	A3316201	TANK SEAL CAPILLARY FLUROPOLYMER PG14D
33	60144301	SWITCH,FLOAT LIQUID 1.50 DIA
34	60143401	RING,EXTERNAL RTNG
35	P5045829	CONNECTION,PLUG 2 PIN MOLEX

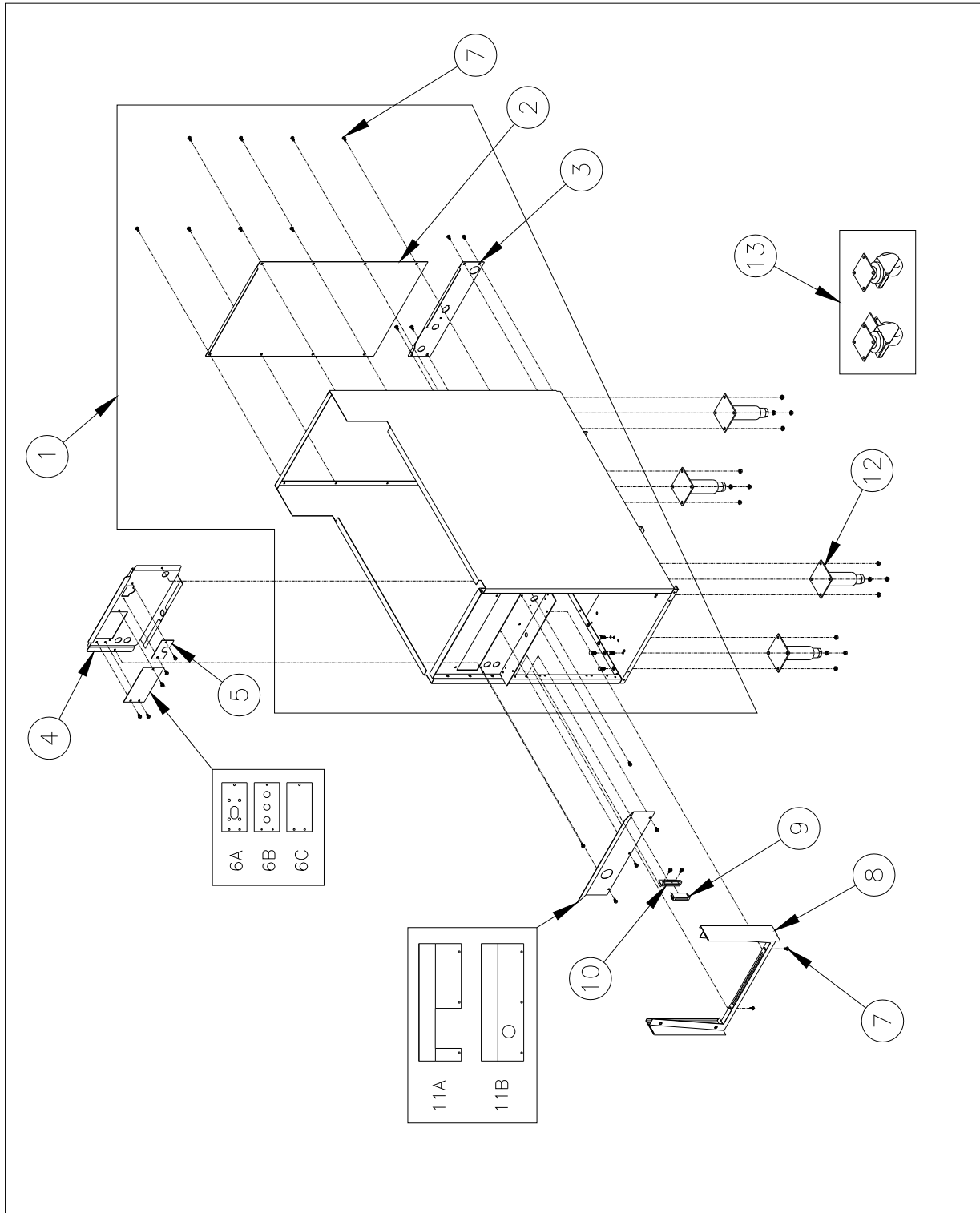
Tank Assembly Drawing A



**B) Cabinet****Cabinet Drawing B Parts List**

ITEM #	PART #	PART DESCRIPTION
1	B1814501-C	CABINET WELDMENT PG14D,RS14D
2	A1615102-C	CABINET BACK UPPER PG14D, PE14D, RS14D
3	A1615202-C	CABINET BACK BOTTOM SST PG14D,RTE14, PE14D
4	A1835901-C	CABINET AIRVENT PE14D
5	A3661801-C	FRONT PANEL CABLE RETAINER PE14D
6A	A1826101-C	CABINET PLATE RETAINER VALVE PG14D W/FILL
6B	A3650601-C	FRONT PANEL PLATE RETAINER VALVE PG14D
6C	A1826103-C	CABINET PLATE RETAINER VALVE PG14D W/O FILL
7	P0075400	SCREW 10-24 X 1/2 SELF TAP
8	B3609602-C	FRONT PANEL WELDMENT PG14D, PE14D
9	P6071300	CATCH MAGNET STANDARD
10	A1847002	CLAMP BRACKET MAGNET CATCH
11A	A1835701-C	CABINET HEAT SHIELD OUTER PG14D MIXING VALVE
11B	A1826201-C	CABINET SHIELD HEAT OUTER PG14D
12	B3900701	LEG SET W/HARDWARE 6" (4-PACK)
	B3900909	LEG ADJUSTABLE 6" SS
	P0020600	SCREW 1/4-20 X 5/8 HEX HEAD CAP ZN
	P0093300	NUT HEX (KEP) 1/4-20 ZN
13	B3901501	CASTER 6" SET W/HARDWARE
	P0020600	SCREW 1/4-20 X 5/8 HEX HEAD CAP ZN
	P0093300	NUT HEX (KEP) 1/4-20 ZN
	PP10808	CASTER SWIVEL 6 NONLOCKING
	PP10809	CASTER SWIVEL 6 LOCKING

Cabinet Drawing B

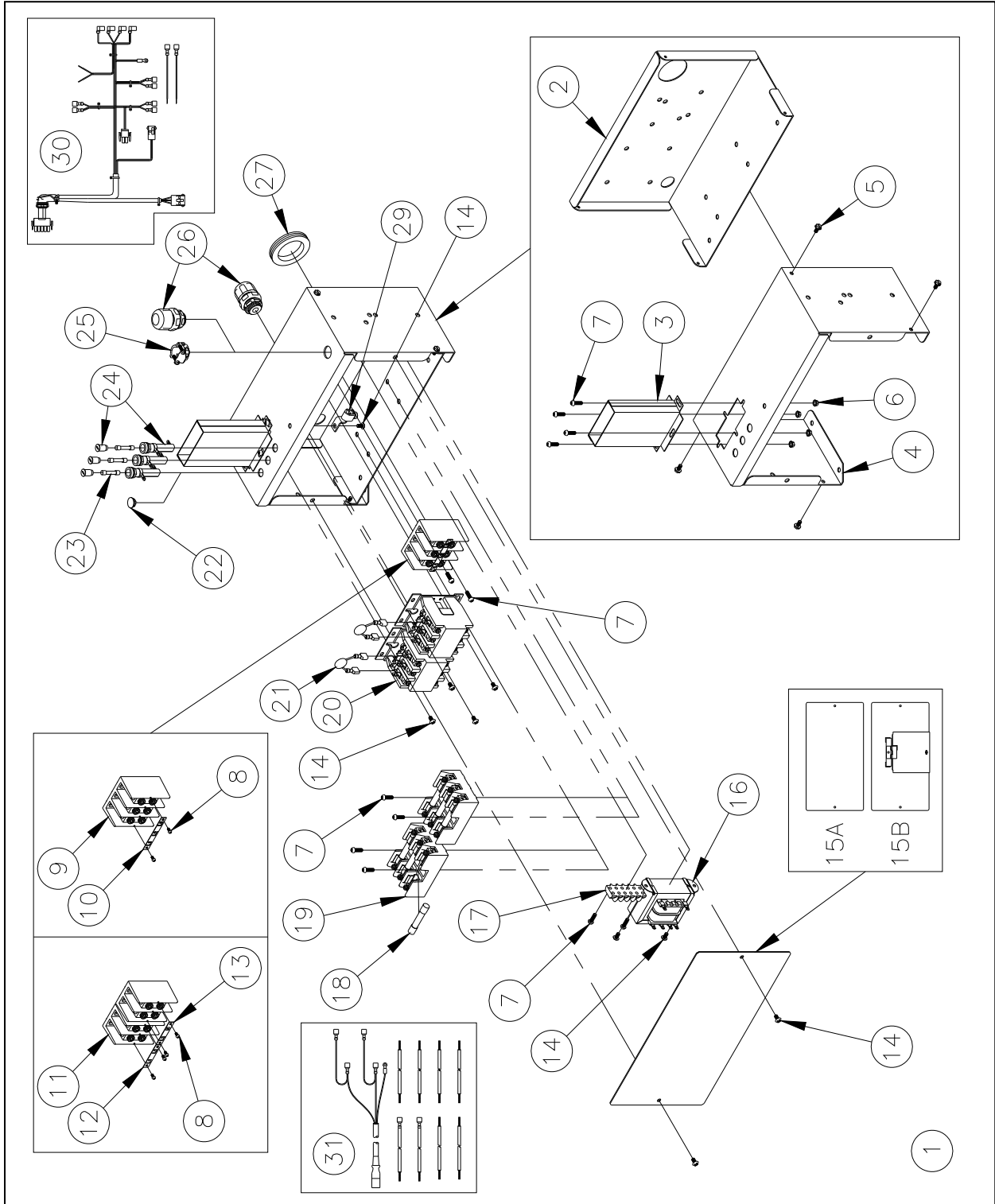


C) Entrance Box

Entrance Box Drawing C Parts List

ITEM #	PART #	PART DESCRIPTION
1	B2916401-C	ENTRANCE BOX ASSEMBLY 208V 1PH PE14D
	B2916402-C	ENTRANCE BOX ASSEMBLY 240V 1PH PE14D
	B2916403-C	ENTRANCE BOX ASSEMBLY 208V 3PH PE14D
	B2916404-C	ENTRANCE BOX ASSEMBLY 240V 3PH PE14D
	B2916405-C	ENTRANCE BOX ASSEMBLY 200V 1PH PE14D
	B2916406-C	ENTRANCE BOX ASSEMBLY 220V 1PH PE14D
	B2916407-C	ENTRANCE BOX ASSEMBLY 200V 3PH PE14D
	B2916408-C	ENTRANCE BOX ASSEMBLY 220V 3PH PE14D
	B2916409-C	ENTRANCE BOX ASSEMBLY 346/200V 3PH PE14D
	B2916410-C	ENTRANCE BOX ASSEMBLY 380/220V 3PH PE14D
	B2916411-C	ENTRANCE BOX ASSEMBLY 400/230V 3PH PE14D
	B2916412-C	ENTRANCE BOX ASSEMBLY 415/240V 3PH PE14D
	B2916413-C	ENTRANCE BOX ASSEMBLY 208V 3PH DUAL PWR SPLY PE14D
2	A2964001-C	ENTRANCE BOX BACK PE14D
3	B2910601-C	ENTRANCE BOX WELDMENT WIRE PIPE PE14D
4	A2954201-C	ENTRANCE BOX BODY PE14D
5	P0075400	SCREW 10-24 X 1/2 SELF TAP
6	P0092300	NUT HEX (KEP) 10-24 ZN
7	PP10698	SCREW 10-24 X 5/8 ROUND HEAD PHILLIPS
8	PP10605	FASTENER TERMINAL BLOCK LABEL
9	P5047301	BLOCK TERMINAL 3 POST ENTRANCE
10	P6094942	LABEL, MARKING STRIP L1 TO L
11	P5047302	BLOCK TERMINAL 2 POST ENTRANCE
12	P6094940	LABEL MARKING STRIP L1 & L2
13	A6043901	LABEL MARKING STRIP L3&N
14	PP10693	SCREW 10-24 X 3/8 THRUSS HEAD PHILLIPS
15A	A2954303-C	ENTRANCE BOX COVER PE14D INTERNATIONAL & 3PH DOMESTIC
15B	B2913201-C	ENTRANCE BOX COVER WELDMENT PE14D 1PH DOMESTIC
16	PP10429	TRANSFORMER 80VA 120/208/240V TO 24V
17	P5045282	BLOCK TERMINAL 4POLE BARRIER
18	P5045701	FUSE 40A SLOW BLOW
19	P5045792	FUSEBLOCK 3 POST 300V 60A
20	PP10560	CONTACTOR 24VAC 3POLE QUICK DISCONNECTS
21	B5307303	ELECTRIC ASSEMBLY SNUBBER 24V CONTACTOR
22	P6071493	PLUG HOLE 1/2 PLATED
23	P5045720	FUSE 4A SLOW BLOW GLASS
24	P5045794	FUSEHOLDER (LITTLEFUSE)
25	P5045240	CLAMP ROMEX 3/8
26	PP10914	BUSHING STRAIN RELIEF CABLE DIA .17
27	P6071228	GROMMET 1.703ID X 2.5OD
29	60145301	LUG GROUND ALUM
30	B6782101-C	WIRING CONTROL PE14D
31	B6782601-C	WIRING POWER SINGLE PHASE PE14D
	B6782701-C	WIRING POWER THREE PHASE DELTA PE14D
	B6782801-C	WIRING POWER THREE PHASE WYE PE14D

Entrance Box Drawing C

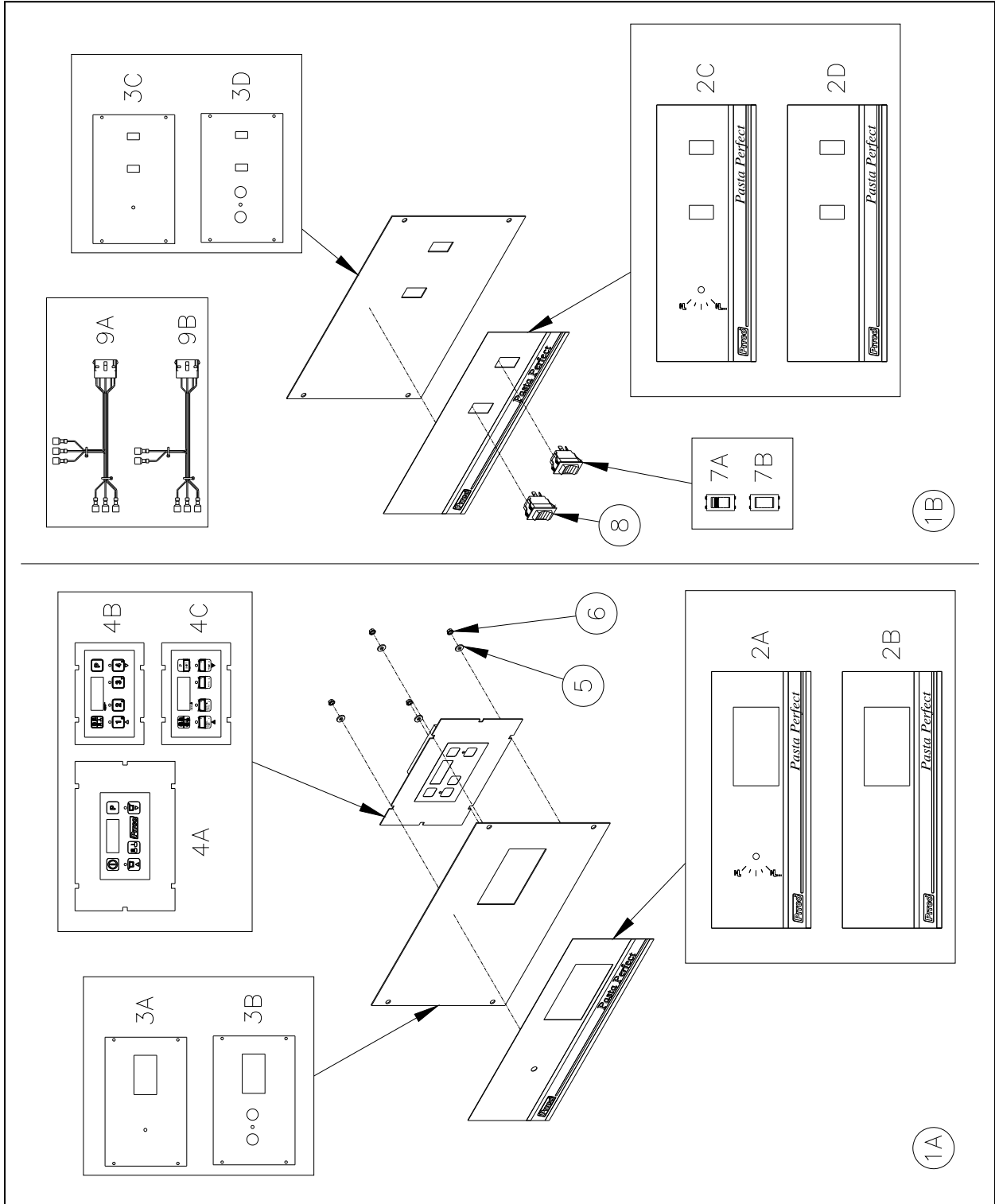


D) Front Panel Bezel

Front Panel Bezel Drawing D Parts List

ITEM #	PART #	PART DESCRIPTION
1A	B3615505-C	FRONT PANEL BEZEL ASSEMBLY DIGITAL EP3310
	B3615506-C	FRONT PANEL BEZEL ASSEMBLY DIGITAL EP3310 W/FILL
	B3615508-C	FRONT PANEL BEZEL ASSEMBLY DIGITAL PE14D MIXING VALVE
	B3615511-C	FRONT PANEL BEZEL ASSEMBLY DIGITAL COMPACT 4 BUTTON
	B3615515-C	FRONT PANEL BEZEL ASSEMBLY DIGITAL PIZZA HUT
	B3615512-C	FRONT PANEL BEZEL ASSEMBLY DIGITAL 4 BUTTON W/FILL
	B3615516-C	FRONT PANEL BEZEL ASSEMBLY DIGITAL PIZZA HUT W/FILL
1B	B3615606-C	FRONT PANEL BEZEL ASSEMBLY PE14D ELECTRIC TSTAT W/FILL
	B3615607-C	FRONT PANEL BEZEL ASSEMBLY PE14D ELECTRIC TSTAT
	B3615608-C	FRONT PANEL BEZEL ASSEMBLY ELECTRIC TSTAT MIXING VALVE
2A	A6066901	LABEL OVERLAY BEZEL PG14D DIGITAL W/FILL
2B	A6066801	LABEL OVERLAY BEZEL PG14D DIGITAL
2C	A6067201	LABEL OVERLAY BEZEL PG14D ELECTRIC TSTAT W/FILL
2D	A6067101	LABEL OVERLAY BEZEL PG14D ELECTRIC TSTAT
3A	B3615401-C	FRONT PANEL BEZEL WELDMENT PG14D DIGITAL EP3310
	B3615402-C	FRONT PANEL BEZEL WELDMENT PG14D DIGITAL 4 BUTTON
3B	B3628701-C	FRONT PANEL BEZEL WELDMENT DIGITAL EP3310 MIXING VALVE
3C	A3641302-C	FRONT PANEL BEZEL PG14D ELECTRIC TSTAT
3D	A3650802-C	FRONT PANEL BEZEL PG14D ELECTRIC TSTAT MIXING VALVE
4A	PP10939	CONTROL DIGITAL EP3310 PASTA
4B	60143701	CONTROL COMPACT PASTA 4 BUTTON
4C	60143702	CONTROL COMPACT 4 BUTTON PIZZA HUT
5	P0080601	WASHER FLAT #10
6	P0092300	NUT HEX (KEP) 10-24 ZN
7A	P5047118	SWITCH ROCKER SPST (1-0) 28V GREEN LAMP
7B	PP10654	SWITCH ROCKER SPST W/BLK (1-0)
8	PP10093	SWITCH ROCKER SPDT W/BLK (1-1)
9A	B6780602-C	WIRING ELECTRIC TSTAT PE14D W/MIXING VALVE
9B	B6780601-C	WIRING ELECTRIC TSTAT PE14D

Front Panel Bezel Drawing D



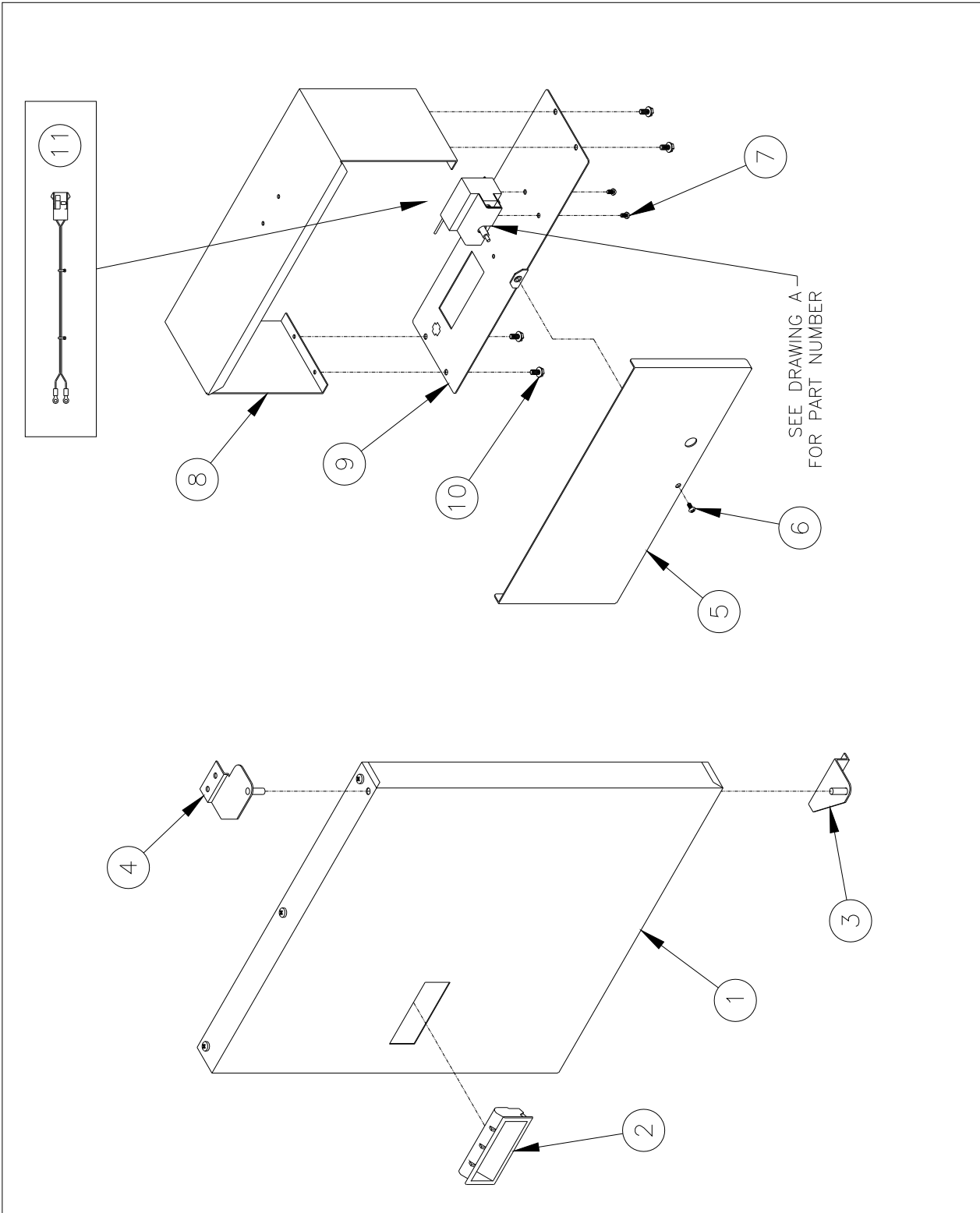


E) Door & Element Shield

Door & Element Shield Drawing E Parts List

ITEM #	PART #	PART DESCRIPTION
1	B2301123-C	DOOR ASSEMBLY PG14D,PE14,PE14D
2	PP11006	HANDLE DOOR RECESSED PLASTIC
3	B3801601	HINGE WELDMENT LOWER RH
4	B3801501	HINGE WELDMENT UPPER RH
5	A2966901-C	ENTRANCE BOX ELEMENT SHIELD COVER PE14D
6	PP10693	SCREW 10-24 X 3/8 THRUSS HEAD PHILLIPS
7	PP10687	SCREW 6-32 X 5/16 THRUSS HEAD PHILLIPS
8	A2954701-C	ENTRANCE BOX ELEMENT SHIELD SIDE PE14D
9	A2967001-C	ENTRANCE BOX ELEMENT SHIELD BOTTOM PE14D
10	P0075400	SCREW 10-24 X 1/2 SELF TAP
11	B6782201-C	WIRING HI-LIMIT PE14D

Door & Element Shield Drawing E



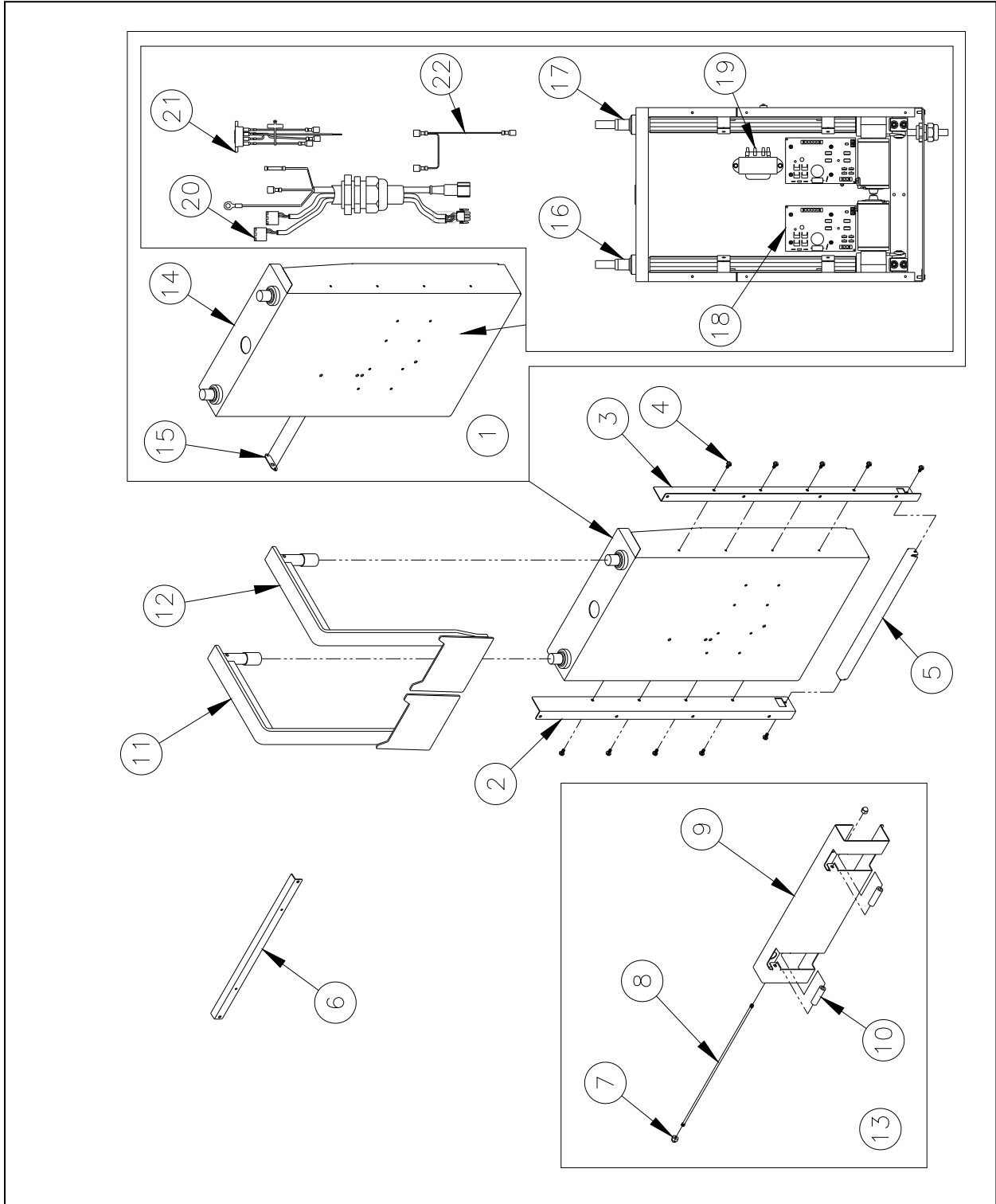


F) Dual Basket Lift Option

Dual Basket Lift Option Drawing F Parts List

ITEM #	PART #	PART DESCRIPTION
1	B5604610-CL	BASKET LIFT ACTUATOR BOX ALLVOLT PASTA DUAL
2	A5619702-C	BASKET LIFT MOUNT SIDE LH PE14D
3	A5619704-C	BASKET LIFT MOUNT SIDE RH PE14D
4	PP10023	SCREW 10-24 X 3/8 SELF TAPPING
5	A5618302	BASKET LIFT MOUNT BOTTOM SG
6	A5619802-C	BASKET LIFT DRIP SHIELD PE14D
7	PP10668	NUT ACORN W/CENTERLOCK 1/4-20
8	A5617902	BASKET LIFT HANGER SUPPORT AXLE SG DUAL
9	A5619602-C	BASKET LIFT HANGER SUPPORT PE14D DUAL
10	A5617801	BASKET LIFT HANGER SUPPORT WHEEL SG
11	B5606101	BASKET LIFT HANGER WELDMENT LH PE14D DUAL
12	B5606102	BASKET LIFT HANGER WELDMENT RH PE14D DUAL
13	B5606301-C	BASKET LIFT HANGER SUPPORT ASSEMBLY, PE14D DUAL
14	B5604102	BASKET LIFT ASSEMBLY LINEAR ACTUATOR DUAL PASTA
15	A2958102	ENTRANCE BOX SWITCH COVER 120V SG
	A2958104	ENTRANCE BOX SWITCH COVER 208V SG
	A2958106	ENTRANCE BOX SWITCH COVER 220/240V SG
16	60134304	BASKET LIFT ACTUATOR RH PASTA
17	60134303	BASKET LIFT ACTUATOR LH PASTA
18	60134001	CONTROL BASKET LIFT DRIVER BOARD
19	PP10429-M	TRANSFORMER 80VA 120/208/240V TO 24V
20	B6779001	WIRING B/L MAIN ACTUATOR
21	B6744901	WIRING VOLTAGE SELECTOR SWITCH
22	B6779101	WIRING B/L TRANSFORMER ACTUATOR DUAL

Dual Basket Lift Option Drawing F

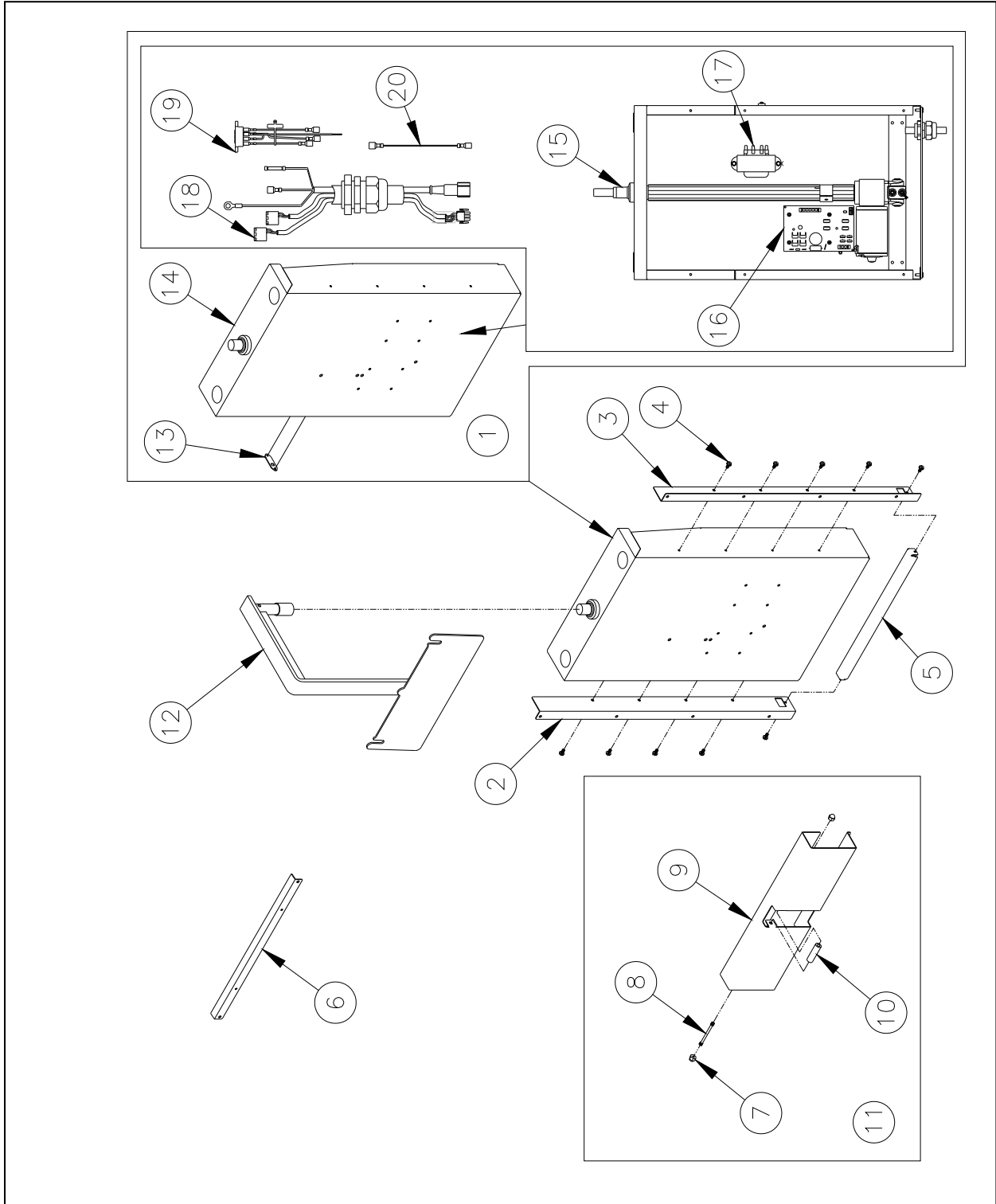


G) Single Basket Lift Option

Single Basket Lift Option Drawing G Parts List

ITEM #	PART #	PART DESCRIPTION
1	B5604613-CL	BASKET LIFT ACTUATOR BOX SINGLE 120V PASTA
	B5604614-CL	BASKET LIFT ACTUATOR BOX SINGLE 208V PASTA
	B5604615-CL	BASKET LIFT ACTUATOR BOX SINGLE 230V PASTA
2	A5619702-C	BASKET LIFT MOUNT SIDE LH PE14D
3	A5619704-C	BASKET LIFT MOUNT SIDE RH PE14D
4	PP10023	SCREW 10-24 X 3/8 SELF TAPPING
5	A5618302	BASKET LIFT MOUNT BOTTOM SG
6	A5619802-C	BASKET LIFT DRIP SHIELD PE14D
7	PP10668	NUT ACORN W/CENTERLOCK 1/4-20
8	A5617904	BASKET LIFT HANGER SUPPORT AXLE PE14D SINGLE
9	A5620002-C	BASKET LIFT HANGER SUPPORT PE14D SINGLE
10	A5617801	BASKET LIFT HANGER SUPPORT WHEEL SG
11	B5606701-C	BASKET LIFT HANGER SUPPORT ASSEMBLY, PE14D SINGLE
12	B5605701	BASKET LIFT HANGER WELDMENT PE14D SINGLE
13	A2958102	ENTRANCE BOX SWITCH COVER 120V SG
	A2958104	ENTRANCE BOX SWITCH COVER 208V SG
	A2958106	ENTRANCE BOX SWITCH COVER 220/240V SG
14	B5606601	BASKET LIFT ASSEMBLY LINEAR ACTUATOR SINGLE PASTA
15	60134303	BASKET LIFT ACTUATOR LH PASTA
16	60134001	CONTROL BASKET LIFT DRIVER BOARD
17	PP10429-M	TRANSFORMER 80VA 120/208/240V TO 24V
18	B6779001	WIRING B/L MAIN ACTUATOR
19	B6744901	WIRING VOLTAGE SELECTOR SWITCH
20	B6779102	WIRING B/L TRANSFORMER ACTUATOR SINGLE

Single Basket Lift Option Drawing G

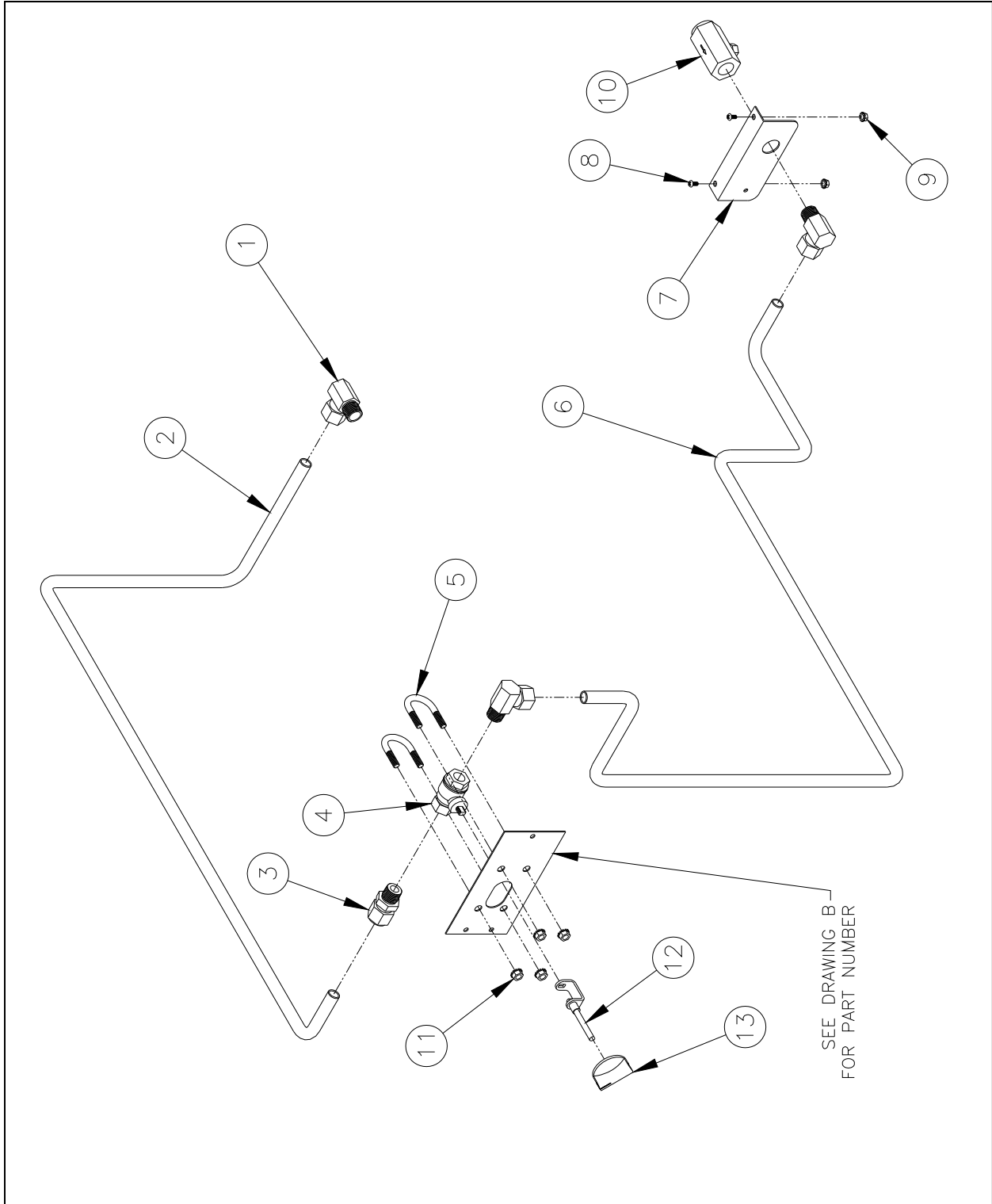


H) Manual Fill Option

Manual Fill Option Drawing H Parts List

ITEM #	PART #	PART DESCRIPTION
1	PP10911	FITTING, COMPRESSION COPPER ELBOW 1/2" TUBE X 3/8 NPT
2	A8017501	PIPING REFILL VALVE OUTLET PG14D
3	PP10830	FITTING, COMPRESSION COPPER STRAIGHT 1/2" TUBE X 3/8 NPT
4	PP10945	VALVE, WATER 3/8 BALL BRASS
5	PP10270	BOLT U-1/2
6	A8017401	PIPING REFILL VALVE INLET PG14D
7	A8017902-C	PIPING BRACKET MANUAL FILL PG14D
8	PP10693	SCREW 10-24 X 3/8 THRUSS HEAD PHILLIPS
9	P0092300	NUT HEX (KEP) 10-24 ZN
10	PP10726	VALVE CHECK 3/8 BALL BRASS
11	P0093300	NUT HEX (KEP) 1/4-20 ZN
12	B8029301-C	PIPING HANDLE VALVE WATER WELDMENT PG14D
13	PP10944	KNOB MANUAL REFILL VALVE

Manual Fill Option Drawing H



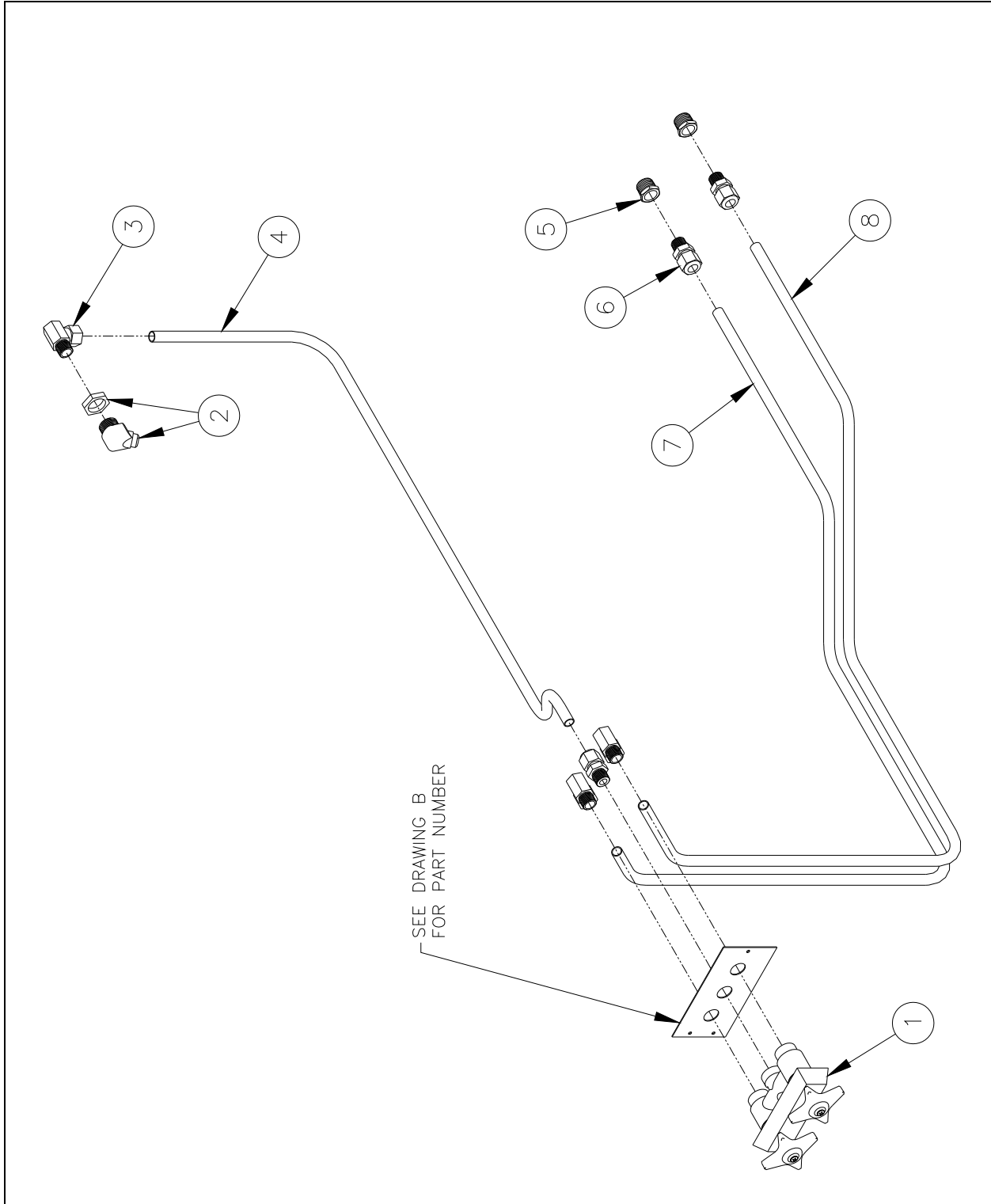


I) Mixing Valve Option

Mixing Valve Option Drawing I Parts List

ITEM #	PART #	PART DESCRIPTION
1	PP11190	VALVE MIXER 3/8 NPT HOT + COLD
2	PP11189	FAUCET FLUSH 3/8 NPT
3	PP10911	FITTING, COMPRESSION COPPER ELBOW 1/2" TUBE X 3/8 NPT
4	A8022901	PIPING TUBING TANK SUPPLY WATER PG14D
5	PP10657	BUSHING REDUCER HEX 1/2 X 3/8 NPT BRASS
6	PP10830	FITTING, COMPRESSION COPPER STRAIGHT 1/2" TUBE X 3/8 NPT
7	A8022801	PIPING TUBING SUPPLY WATER COLD PG14D
8	A8022701	PIPING TUBING SUPPLY WATER HOT PG14D

Mixing Valve Option Drawing I



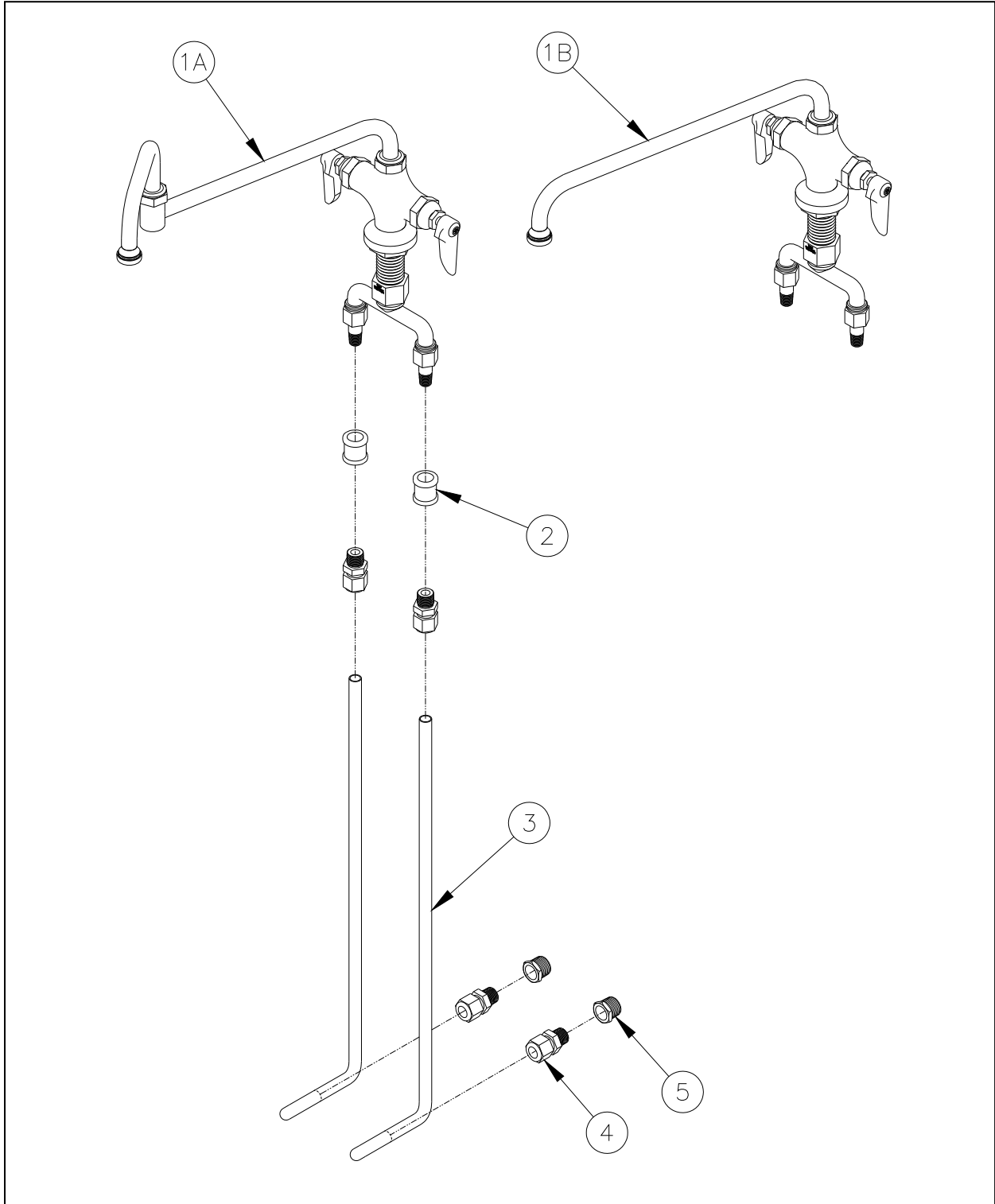


J) Faucet Option

Faucet Option Drawing J Parts List

ITEM #	PART #	PART DESCRIPTION
1A	P6071000	FAUCET PASTA DOUBLE JOINTED 18
1B	P6071002	FAUCET PASTA B200
2	PP10672	COUPLING BRASS 3/8 NPT
3	A8030701	PIPING WATER FAUCET SUPPLY TUBE RS14D
4	PP10830	FITTING, COMPRESSION COPPER STRAIGHT 1/2" TUBE X 3/8 NPT
5	PP10657	BUSHING REDUCER HEX 1/2 X 3/8 NPT BRASS

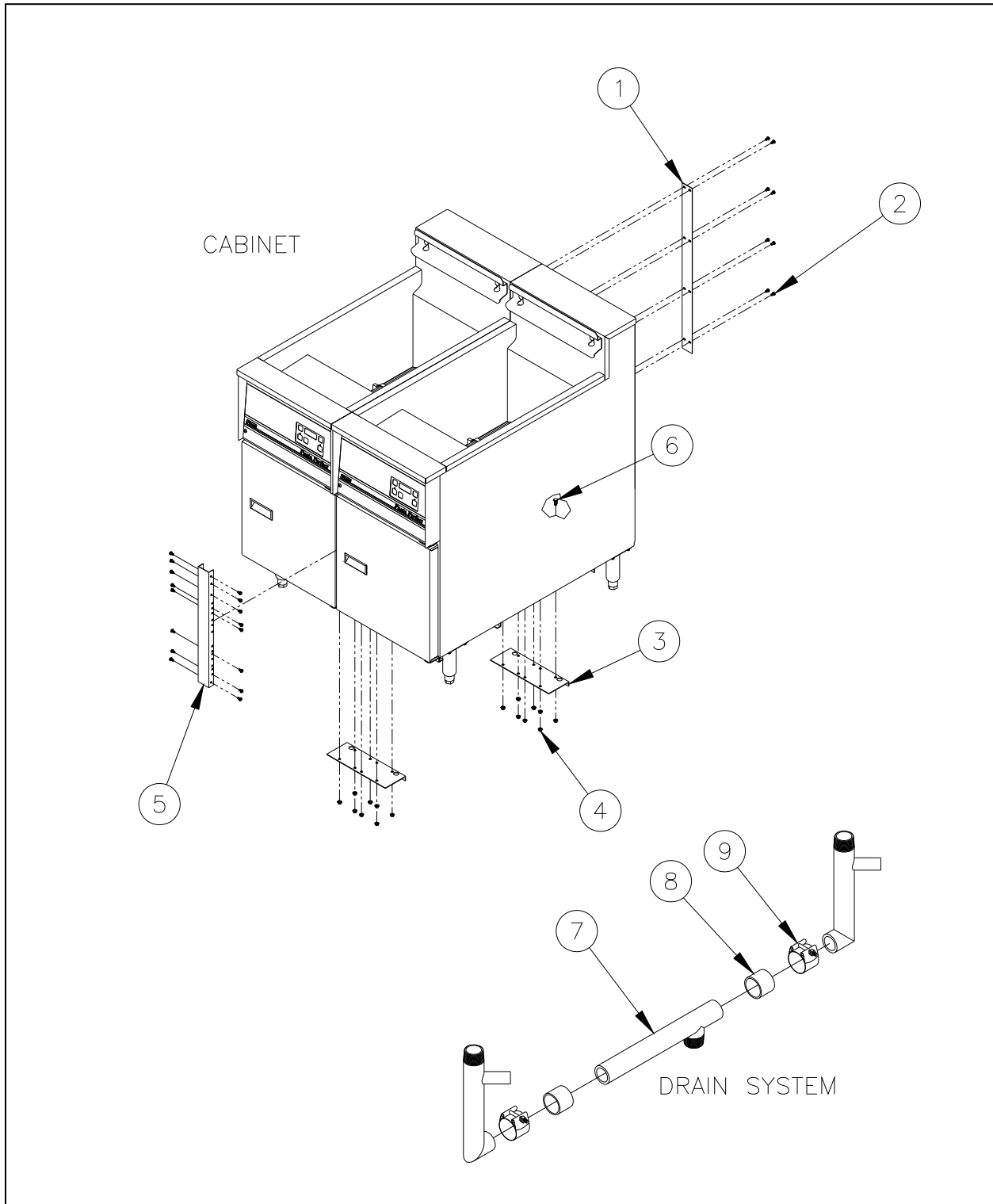
Faucet Option Drawing J



**K) Battery Option****Battery Option Drawing K Parts List**

ITEM #	PART #	PART DESCRIPTION
1	A1820002-C	CABINET COVER STRIP REAR SST PPG14D, PPE14D
2	P0075400	SCREW 10-24 X 1/2 SELF TAP
3	A1203502-C	CABINET BOTTOM BRACE JOINING PLATE PPG14D, PPE14D
4	P0093300	NUT HEX (KEP) 1/4-20 ZN
5	A1813602-C	CABINET COVER UPRIGHT FRONT
6	P0020600	SCREW 1/4-20 X 5/8 HEX HEAD CAP ZN
7	B8018001	PIPING TUBING DRAIN LINE PPG14D
8	PP10032	GASKET DRAIN LINE (SLEEVE)
9	PP10034	CLAMP BAND 1.97

Battery Option Drawing K



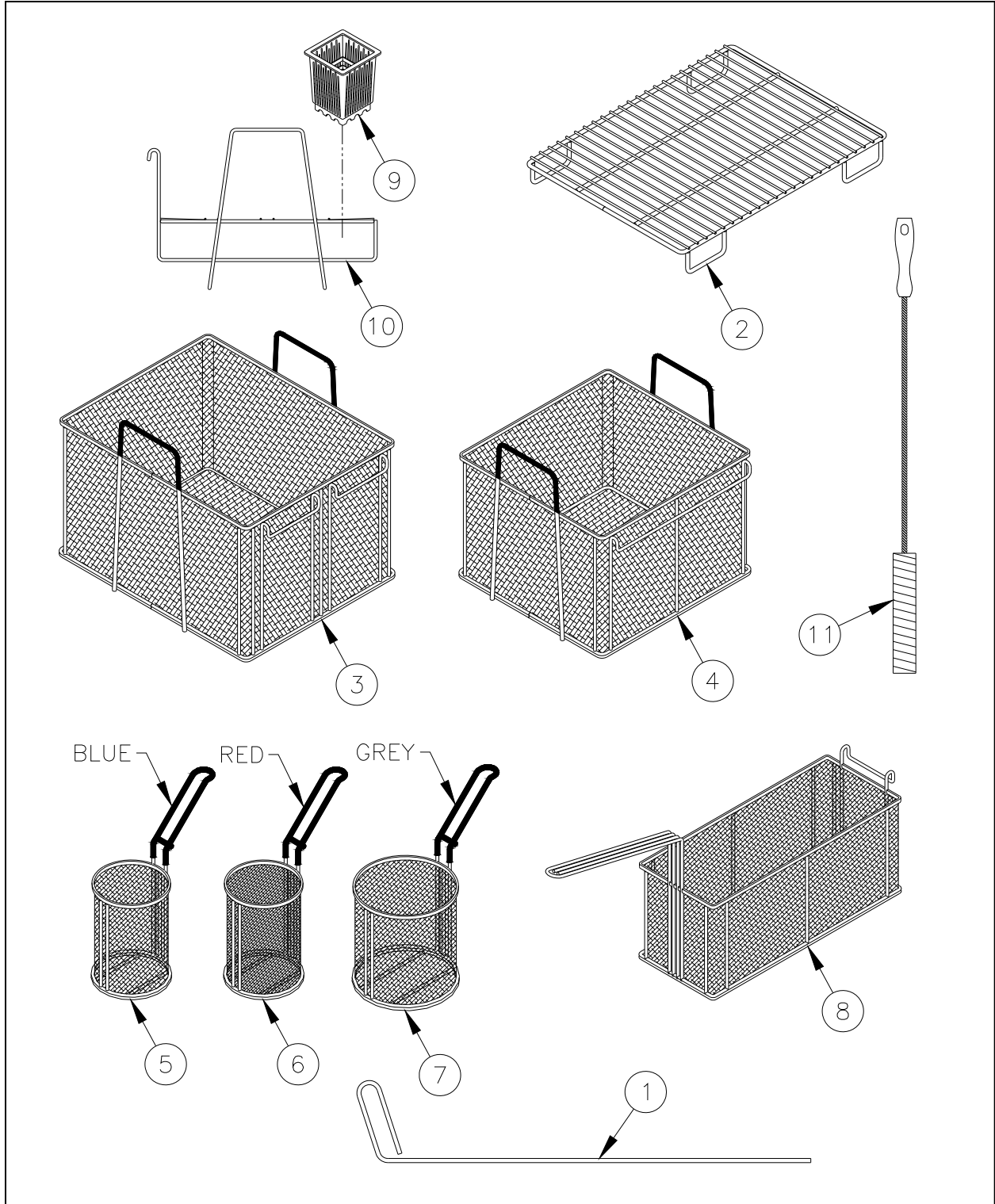


L) Accessories

Accessories Drawing L Parts List

ITEM #	PART #	PART DESCRIPTION
1	A3305701	ROD CLEAN OUT DRAIN
2	B4512601	ELEMENT RACK PE14D
3	B4512702	BASKET PASTA LARGE BULK FINE MESH
4	B4510202	BASKET PASTA SMALL BULK FINE MESH
5	B4510001	BASKET PASTA ROUND 4-7/8
6	B4510002	BASKET PASTA ROUND 4-7/8 FINE MESH
7	B4509901	BASKET PASTA ROUND 6-1/2
8	B4509801	BASKET PASTA OBLONG
9	P6071998	INDIVIDUAL SERVING BASKET
10	B4511701	PASTA RACK PORTION PPG14
11	PP10730	BRUSH NYLON CLEANING STRAIGHT

Accessories Drawing L





In the event of problems with or questions about your order, please contact the Pitco Frialator factory at:
(603) 225-6684 World Wide
Website Address: www.pitco.com

In the event of problems with or questions about your equipment, please contact the Pitco Frialator Authorized Service and Parts representative (ASAP) covering your area, or contact Pitco at the numbers listed to the left.

MAILING ADDRESS – P.O. BOX 501, CONCORD, NH 03302-0501
SHIPPING ADDRESS – 10 FERRY ST., CONCORD, NH 03301