

**robot coupe**

"The Inventor & World Leader in Food Processors"

**"Series E"**

**CL50E & CL50E Ultra**

Commercial Food Processor

# Continuous Feed Vegetable Prep



**CL50E**



**CL50E ULTRA**

- New lid design to ease the cleaning process.
- Larger hopper opening to accommodate more product.
- Fan-cooled, heavy-duty, belt drive, 1.5 HP, Single phase motor.
- 39 available discs to select from.
- Has dicing and french fry capabilities.
- Attached large feed pusher assembly.
- Automatic restart of machine with the kidney shaped shaped pusher.
- Attachments easily removed for maximum cleaning ability.
- Packed with two processing discs (28064 - 3mm/1/8" slicing disc & 28058 - 3mm/1/8" grating disc) as standard.
- 1 year parts and labor warranty.

**Prepare 1200 servings in 3 hours or less.**

Vegetable prep attachment designed for quality continuous feed slicing, dicing, shredding, grating, french fry, and julienne. Accommodates 39 different processing discs and potato ricing attachment.



Robot Coupe U.S.A., Inc.  
P.O. Box 16625  
Jackson, MS 39236-6625  
1-800-824-1646 • (601) 898-8411  
FAX: (601) 898-9134  
www.robotcoupeusa.com • e-mail: info@robotcoupeusa.com

**SPECIFICATIONS ON REVERSE SIDE**

## Specifications

**STANDARD MODEL:** includes motor base unit with continuous feed attachment, one 1/8" (3mm) slicing disc and one 1/8" (3mm) medium grating disc.

**ELECTRICAL REQUIREMENTS:** 120V, 60Hz, 12 Amps, single phase, 1 speed., NEMA 5-15 plug.

**SWITCHING:** Control panel with push-type on and off buttons.

**MOTOR:** 1.5 HP, 425 RPM, belt drive, fan-cooled.

**WEIGHT:**

CL50E: 41 lbs. net, 50 lbs. approximate shipping weight.

CL50E Ultra: 43 lbs. net, 52 lbs. approximate shipping weight.

**OPTIONAL EQUIPMENT:** 37 additional processing discs, Potato Ricing Attachment and single or multiple disc rack or wall-mounted disc rack.

**STANDARDS:** ETL electrical & sanitation, cETL (Canada)

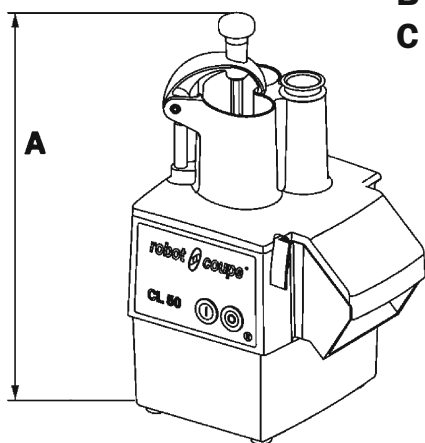
| PROCESSING DISCS                 |                            |                                     |
|----------------------------------|----------------------------|-------------------------------------|
| * For Series D & E machines only |                            |                                     |
| <b>Slicing Discs</b>             | <b>Grating Discs</b>       | <b>Julienne Discs</b>               |
| 28062 1/32" (1mm)                | 28270 1/16" (1.5mm)        | 28051 5/64" x 5/64" (2mm x 2mm)     |
| 28063 5/64" (2mm)                | 28057 5/64" (2mm)          | 27072 5/64" x 5/32" (2mm x 4mm)     |
| 28064 1/8" (3mm)                 | 28058 1/8" (3mm)           | 27066 5/64" x 1/4" (2mm x 6mm)      |
| 28004 5/32" (4mm)                | 28073 5/32" (4mm)          | 27067 5/64" x 5/16" (2mm x 8mm)     |
| 28128* 3/16" (5mm)               | 28163 3/16" (5mm)          | 28052 5/32" x 5/32" (4mm x 4mm)     |
| 28129* 5/16" (8mm)               | 28164 9/32" (7mm)          | 28053 1/4" x 1/4" (6mm x 6mm)       |
| 28130* 3/8" (10mm)               | 28165 11/32" (9mm)         | 28054 5/16" x 5/16" (8mm x 8mm)     |
| 28131* 9/16" (14mm)              | 28055 Fine Pulping         |                                     |
| 28081 3/4" (19mm)                | 28061 Hard Cheese Grate    | <b>Dicing Kits</b>                  |
| 28132* 25/32" (20mm)             |                            | 28110 3/16" x 3/16" (5mm x 5mm)     |
| 28133* 1" (25mm)                 |                            | 28111 5/16" x 5/16" (8mm x 8mm)     |
| <b>Ripple Cut Slicers</b>        | <b>French Fry Kits**</b>   | 28112 3/8" x 3/8" (10mm x 10mm)     |
| 27068 5/64" (2mm)                | 28134* 5/16" (8mm)         | 28113 9/16" x 9/16" (14mm x 14mm)   |
| 27069 1/8" (3mm)                 | 28135* 3/8" (10mm)         | 28114 25/32" x 25/32" (20mm x 20mm) |
| 27070 3/16" (5mm)                | <b>Romaine Lettuce Kit</b> | 28115 1" x 1" (25mm x 25mm)         |
|                                  | 28133/104031 2"            |                                     |

### CL50E

**A = 13"**

**B = 12"**

**C = 15"**

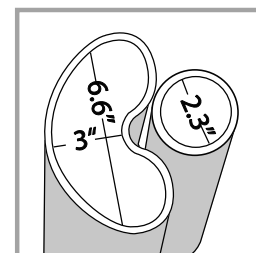
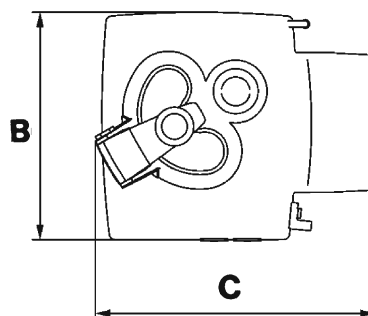


### CL50E ULTRA

**A = 13.5"**

**B = 12"**

**C = 15"**



**HOPPER**

Robot Coupe U.S.A., Inc.  
P.O. Box 16625  
Jackson, MS 39236-6625  
1-800-824-1646  
(601) 898-8411  
FAX: (601) 898-9134  
www.robotcoupeusa.com  
e-mail: info@robotcoupeusa.com

Distributed by: