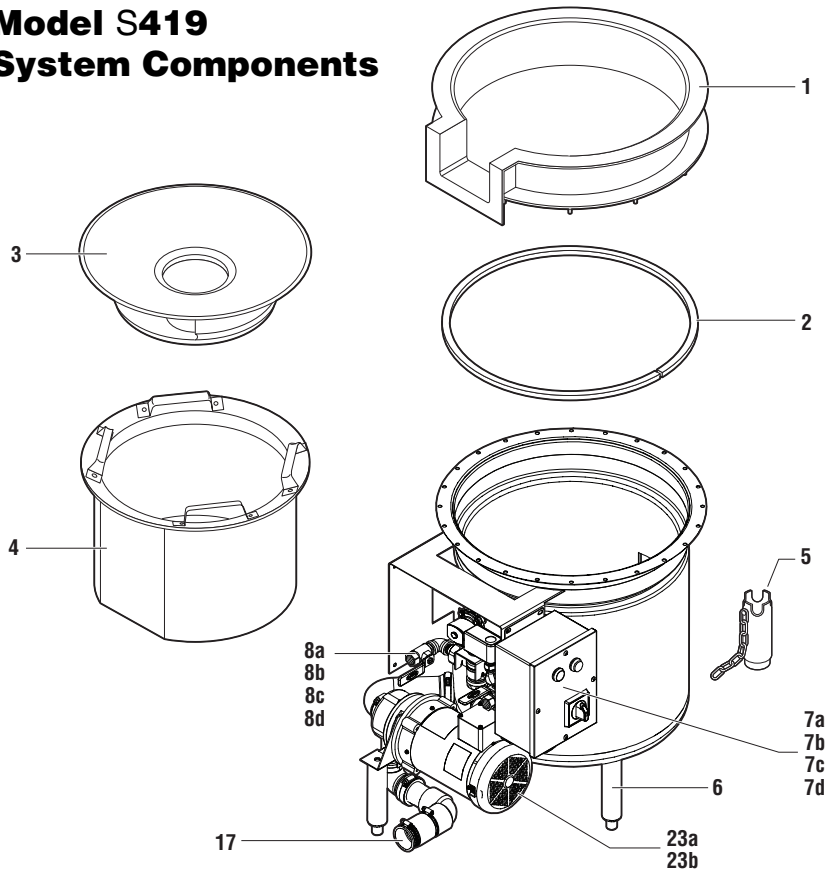


# Salvajor Trough Collector

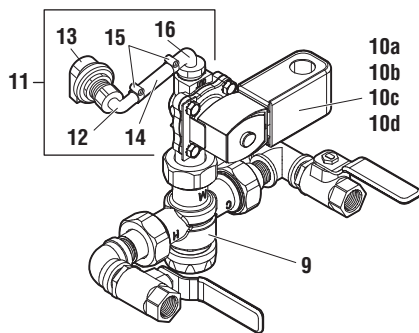
## PARTS BREAKDOWN for Model S419

For Serial Numbers  
starting at 25000

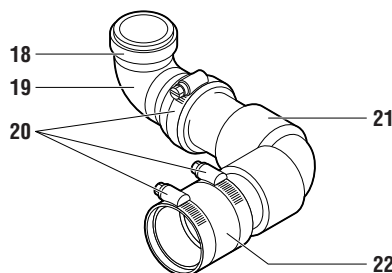
### Model S419 System Components



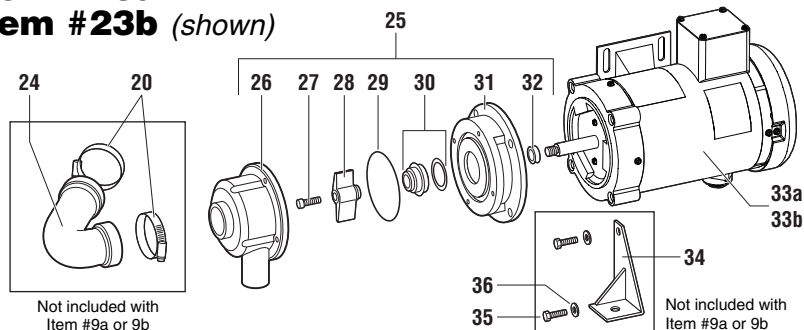
### Item #8a - 8d



### Item #17



### Item #23a Item #23b (shown)



ITEM	PART NO.	DESCRIPTION
1	980169	S419 TOP ASSEMBLY
2	996058	TOP GASKET
3	992011	SALVAGE BASIN
4	992013	SCRAP BASKET
5	988006	OVERFLOW PIPE ASSEMBLY
6	914LESS	STAINLESS STEEL LEG
7A	MSSLD4	CONTROL PANEL 115V 1PH
7B	MSSLD5	CONTROL PANEL 208-230V 1PH
7C	MSSLD7	CONTROL PANEL 208-230V 3PH
7D	MSSLD9	CONTROL PANEL 460V 3PH
8A	9801582	WATER HARNESS 24V ASSY (includes 9-16)
8B	9801584	WATER HARNESS 115V ASSY (includes 9-16)
8C	9801585	WATER HARNESS 208-230V ASSY (includes 9-16)
8D	9801589	WATER HARNESS 460V ASSY (includes 9-16)
9	998124	WATER BLENDER (ONLY)
10A	AS8242	SOLENOID VALVE ASSY 24V
10B	AS81152	SOLENOID VALVE ASSY 115V
10C	AS82082	SOLENOID VALVE ASSY 208-230V
10D	AS84602	SOLENOID VALVE ASSY 460V
11	980159	NOZZLE ASSEMBLY SC/PC/TC (includes 12-16)
12	998113	3/8" NYLON ELBOW
13	2906	FIXED NOZZLE
14	998022	3/8" BRAIDED TUBING
15	997001	HOSE CLAMP
16	998046	ADAPTOR 3/8" X 1/2" 90 DEG HOSE
17	988026	PUMP PLUMBING ASSEMBLY (includes 18-22)
18	S24	HOSE CLAMP
19	996019	RUBBER ELBOW 3/4" X 2"
20	M32	HOSE CLAMP
21	988025	ELBOW ASSEMBLY
22	15X15BR	COUPLING 1-1/2" X 1-1/2"
23A	980076	PUMP AND MOTOR ASSY 1PH (includes 25-33)
23B	980077	PUMP AND MOTOR ASSY 3PH (includes 25-33)
24	996034	ELBOW 125 DEGREE RUBBER (sold separately)
25	980074	PUMP ASSEMBLY (includes 26-32)
26	988010	PUMP HOUSING
27	997089	CAP SCREW (not used on 1-phase)
28	996027	IMPELLER
29	996028	O-RING
30	ECK511	SEAL KIT
31	988009	PUMP BASE
32	996030	V-RING
33A	991060	PUMP MOTOR 1PH
33B	991061	PUMP MOTOR 3PH
34	980157	LEG BRACKET (sold separately)
35	997061	SCREW 3/8" (sold separately)
36	38L	LOCKWASHER (sold separately)



### The Salvajor Company

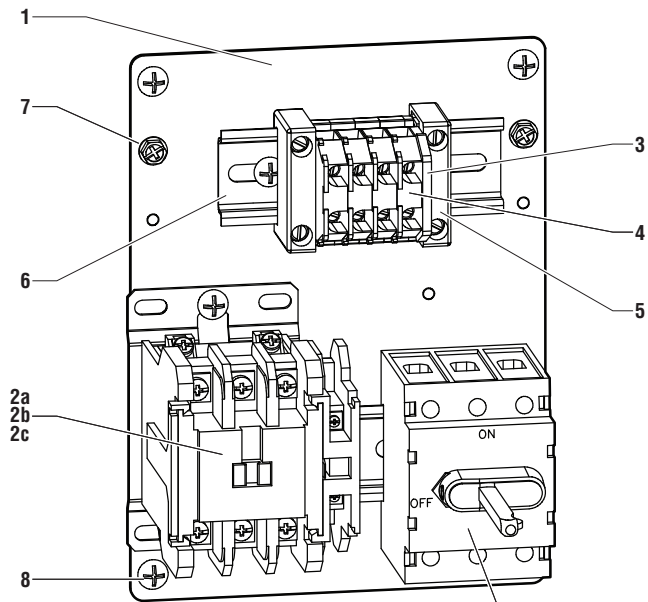
4530 East 75th Terrace  
Kansas City, MO 64132-2081 USA

1-888-SALVAJOR FAX 1-800-832-9373

# Salvajor Model MSS-LD

Manual Start/Stop with Line Disconnect

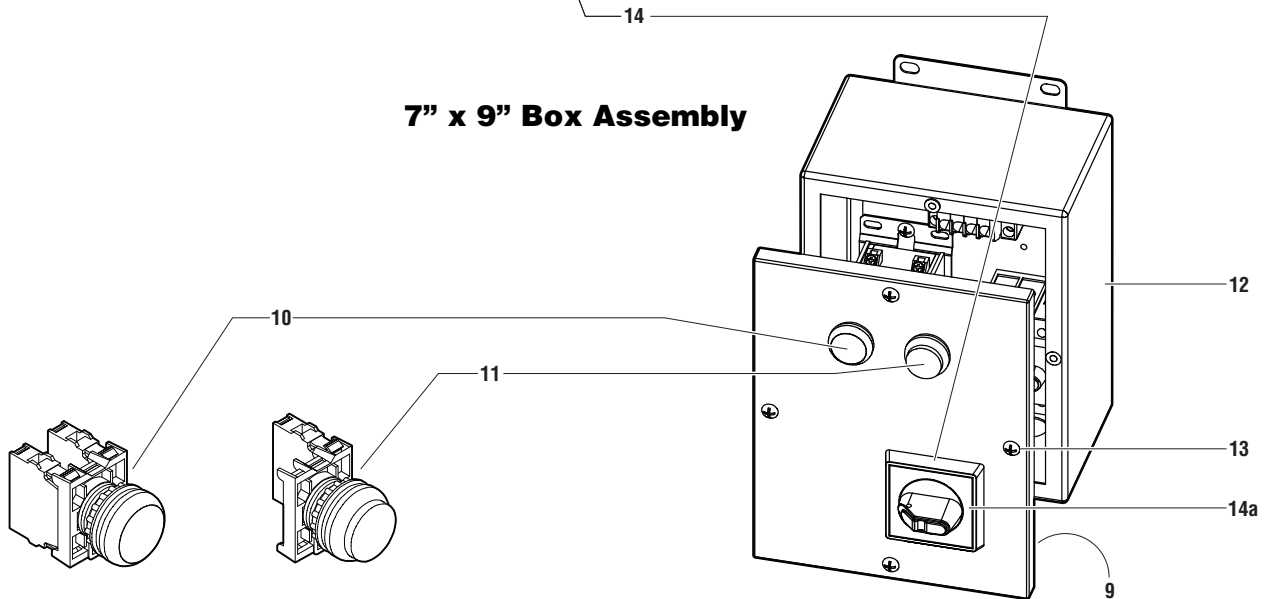
PRE-WIRED CONTROL PANEL PARTS BREAKDOWN



MSS-LD Item Numbers		
VOLTAGE	PHASE	ITEM NO.
115	1	<b>MSSLD4</b>
208 or 230	1	<b>MSSLD5</b>
208 or 230	3	<b>MSSLD7</b>
460	3	<b>MSSLD9</b>

ITEM	PART NO.	DESCRIPTION
1	79IP	Inner Panel Plate MSS
2a	994006	Contactora 115V
2b	994007	Contactora 208-230V
2c	994008	Contactora 460V
3	994294	End Clamp
4	994292	Terminal Block
5	994293	End Barrier
6	994005	Din Rail Mounting Track
7	SCR1032	Ground Screw 10-32
8	997093	Screw 10-32 X 3/8"
9	79GA	Lid Gasket Assembly
10	ABD100B	Button Start
11	ABD200A	Button Stop
12	79BA	7" X 9" Box Assembly
13	997032	Screw 10-32 X 5/8"
14	980138	Line Disconnect Assembly
14a	984016	Line Disconnect Handle

**7" x 9" Box Assembly**



**The Salvajor Company**

4530 East 75th Terrace  
Kansas City, MO 64132-2081 USA

1-888-SALVAJOR FAX 1-800-832-9373