

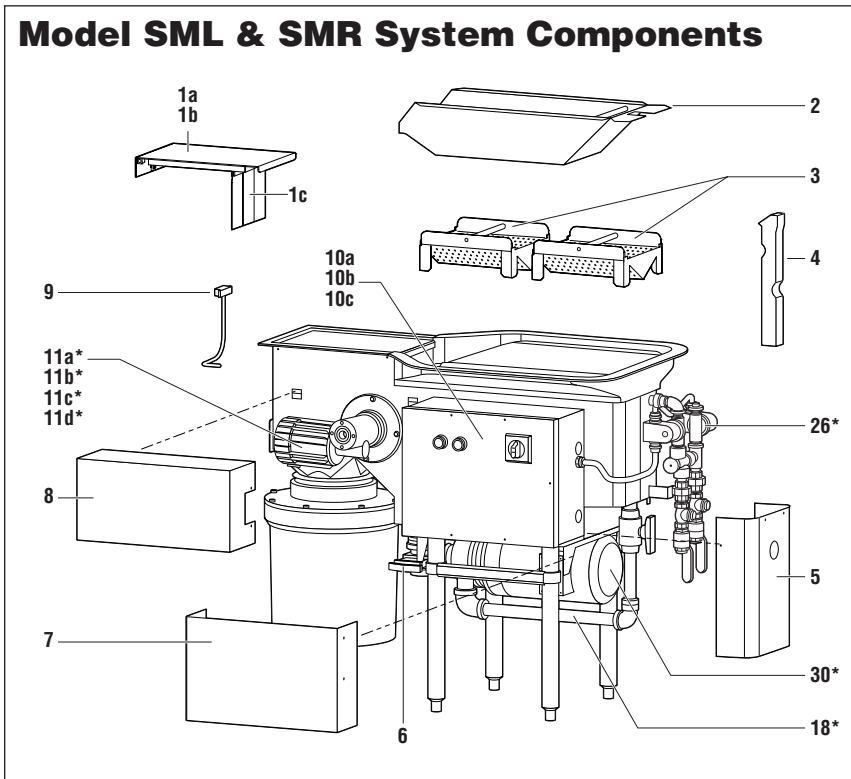
# Salvajor ScrapMaster

PARTS BREAKDOWN for Model SML & Model SMR

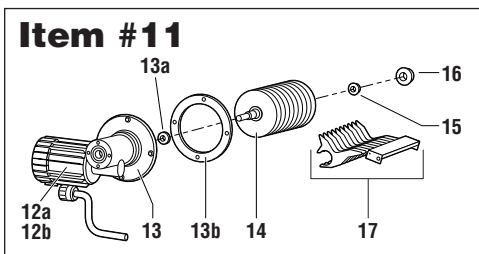
(Left hand shown, Right hand similar)

For  
Serial  
Numbers  
starting at  
1846-2999

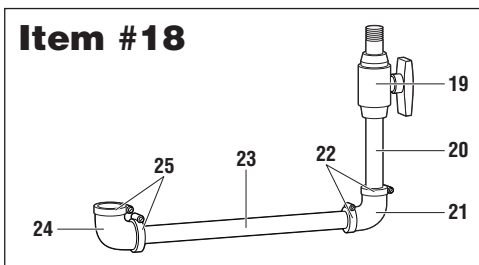
## Model SML & SMR System Components



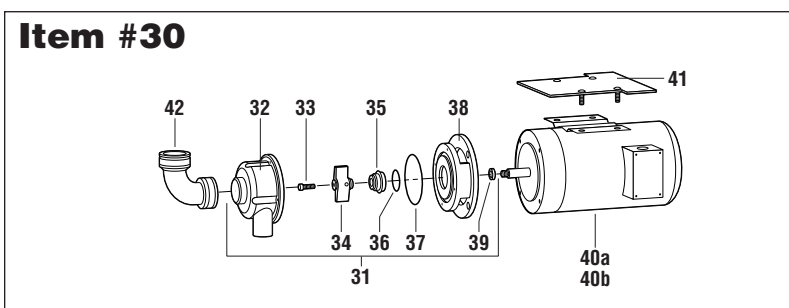
### Item #11



### Item #18



### Item #30



## ITEM PART NO. DESCRIPTION

1a	980114	Door Assembly w/Proximity Magnet (SN 2425-2999, includes 1c)
1b	980084	Door Assembly w/Proximity Magnet (SN 1846-2424, includes 1c)
1c	SM47X5	Rubber Door Gasket
2	SM21A	Salvage Basin
3	980085	Screen Assembly (2 pieces)
4	980088	Gusher Tube
5	982133	Rear Pump Cover
6	998058	Drain Valve
7	982132	Pump Cover
8	982123	Service Cover
9	980558	Proximity Switch Retrofit Kit
10a	458UL	Control Panel 208-230V 1PH
10b	460UL	Control Panel 208-230V 3PH
10c	556UL	Control Panel 460V 3PH
11a	980120R	Gearmotor Assembly 208-230V 1PH (prior to serial number 2468, includes 12-17)
11b	980120L	Gearmotor Assembly 208-230V 1PH (prior to serial number 2468, includes 12-17)
11c	980121R	Gearmotor Assembly 208-230/460V 3PH (includes 12-17)
11d	980121L	Gearmotor Assembly 208-230/460V 3PH (includes 12-17)
12a	981002	Gearmotor 208-230/460V 3PH
12b	991058	Gearmotor 208-230V 1PH (prior to serial number 2468)
13	980060	Separator Cap Assembly
13a	95007	Seal
13b	SM52G	Gasket
14	980059	Separator Assembly
15	995005	Bearing
16	SM4RBC	Bearing Carrier
17	980090	Separator Cleaner Assembly
18	980091	Pump Plumbing Assembly (includes 19-23)
19	75BV	Recirculation Valve
20	982019	Nipple 6" PVC
21	S914PIE	Elbow 3/4" x 3/4" Rubber
22	B16	Clamp S.S.
23	988005	Nipple 15" PVC
24	S914PDE	Elbow 3/4" x 1" Rubber
25	S24	Clamp S.S.
26	980096	Water Harness Assembly (includes 27-29)
27	GP4007	Solenoid Valve Repair Kit
28	GP234024	Solenoid Coil 24V
29	998024	Tempering Valve (repair kit #998028)
30a	980077	Pump and Motor Assembly 208-230/460V 3PH (includes 29-38)
30b	980076	Pump and Motor Assembly 208-230V 1PH (prior to serial number 2468, includes 29-38)
31	980074	Pump Assembly (includes 32-39)
32	988010	Pump Housing
33	997089	Cap Screw (not used on 1-phase)
34	996027	Impeller
35	ECK511	Seal Kit
36	996047	Gasket
37	996028	O-Ring
38	988009	Pump Base
39	996030	V-Ring
40a	991061	Pump Motor 208-230/460V 3PH
40b	991060	Pump Motor 208-230V 1PH (prior to serial number 2468)
41	982199	Tank Motor Base Bracket (sold separately)
42	15X90QEL	Elbow 1-1/2" x 90 Rubber (sold separately)



The Salvajor Company

4530 East 75th Terrace

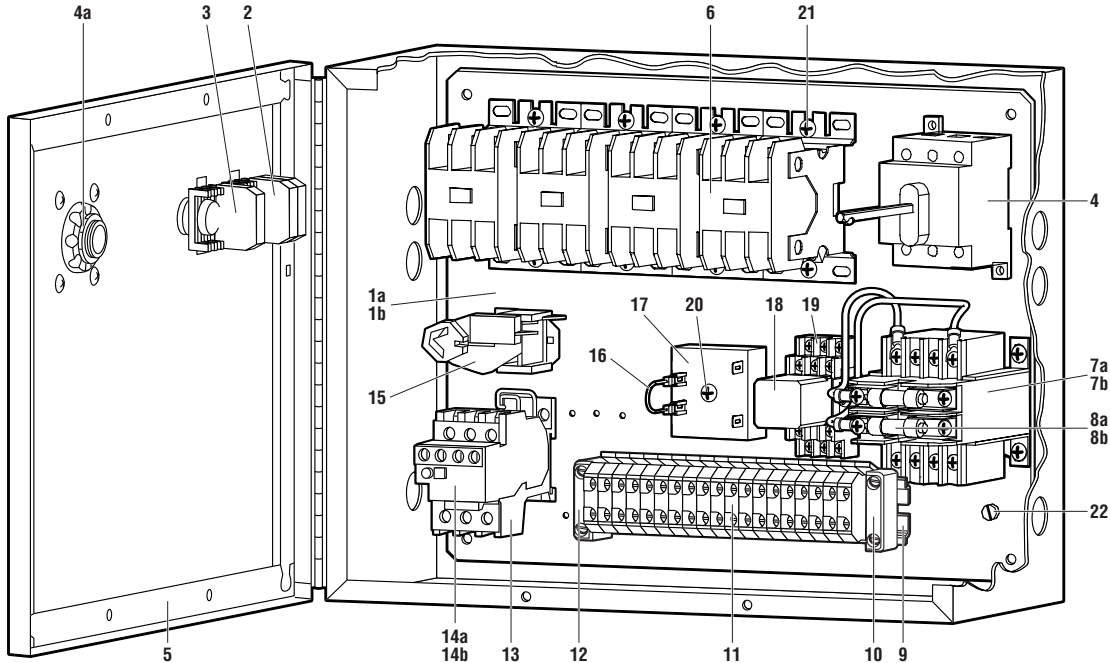
Kansas City, MO 64132-2081 USA

1-888-SALVAJOR FAX 1-800-832-9373

# Salvajor ScrapMaster

## PRE-WIRED CONTROL PANEL PARTS BREAKDOWN for Model SML & Model SMR

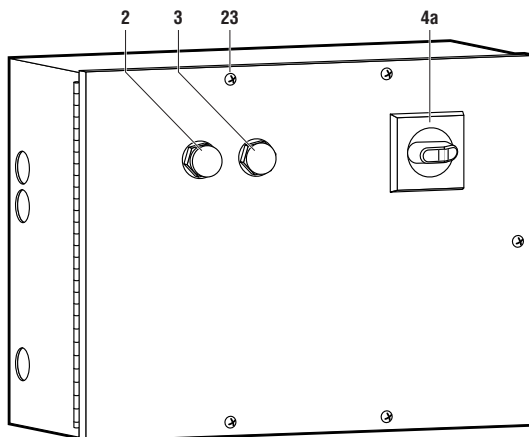
### Model SML & SMR Control Components



#### Item Numbers

VOLTAGE	PHASE	ITEM NO.
208 or 230	3	460UL
460	3	556UL

#### Control Box Assembly



#### ITEM PART NO. DESCRIPTION

1a	980460IP	Inner Panel Assembly 208-230V 3PH
1b	980556IP	Inner Panel Assembly 460V 3PH
2	ABD100B24	Start Button
3	ABD200A	Stop Button
4	994177	Line Disconnect Assembly (includes 4a)
4a	994263	Disconnect Handle
5	12155GA	Gasket Assembly (4 pieces)
6	994174	Contactors 24V (2 used on 208-230V, 4 on 460V)
7a	994115a	Transformer 208-230V 3PH with Fuses
7b	994115b	Transformer 460V 3PH with Fuses
8a	994095	Fuse 1 Amp (for 208-230V 3PH)
8b	994122	Fuse 1/2 Amp (for 460V 3PH)
9	994295	Din Rail Mounting Track
10	994294	End Block for Terminal Strip
11	994292	Terminal Block for Terminal Strip
12	994293	End Barrier for Terminal Strip
13	994123	Overload Mounting Base
14a	994108	Overload .66 Amps (for 208-230V 3PH)
14b	994291	Overload .33 Amps (for 460V 3PH)
15	994080	Alternator 24V
16	994233	Jumper (not used on 208-230V)
17	994125	Timer 24V with Jumper (not used on 208-230V)
18	994063	Relay 24V
19	994064	Relay Base 24V
20	997146	Screw 10-32 x 1"
21	997093	Screw 10-32 x 3/8"
22	SCR1032	Ground Screw 10-32
23	997032	Screw 10-32 x 5/8"



**The Salvajor Company**

4530 East 75th Terrace  
Kansas City, MO 64132-2081 USA

1-888-SALVAJOR FAX 1-800-832-9373

Printed in USA  
Form No. PB/SML-SMR-11