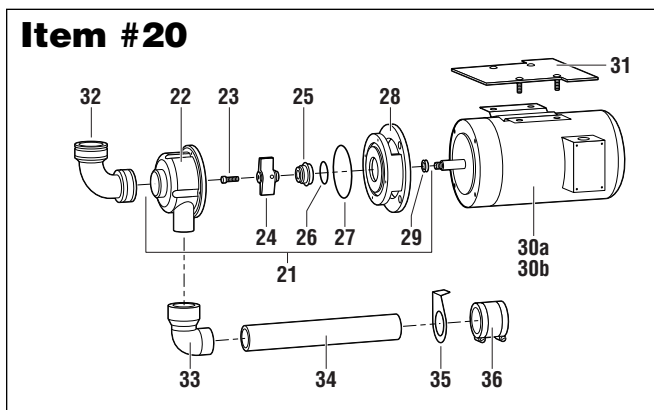
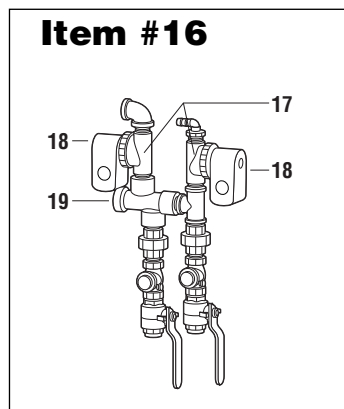
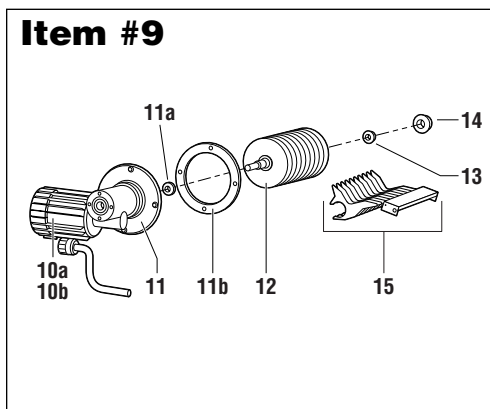
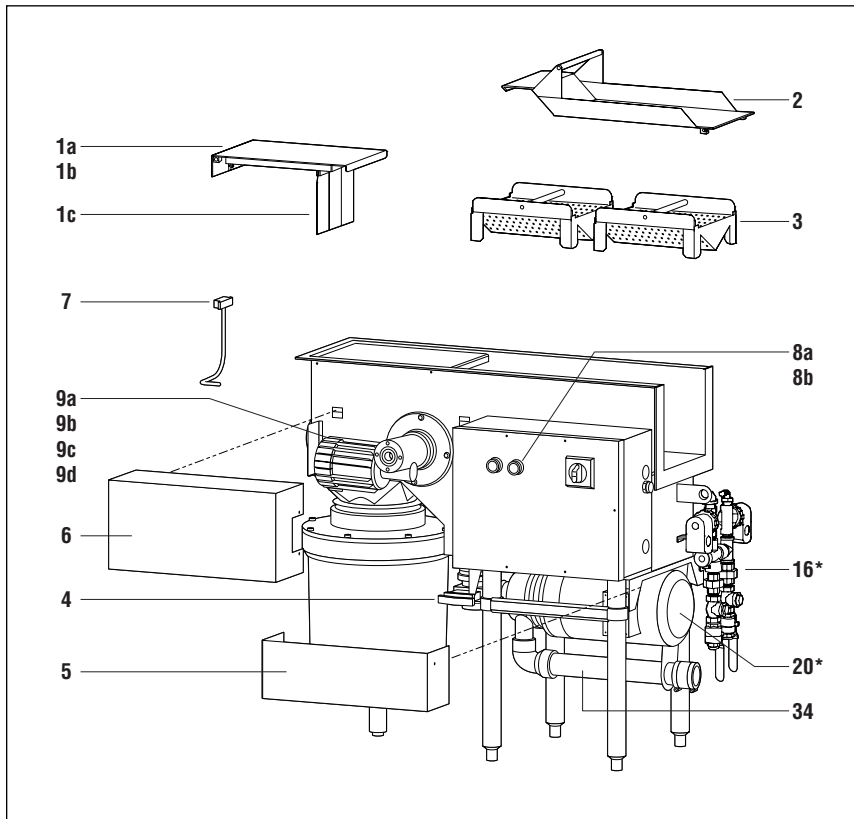


# Salvajor TroughVeyor

PARTS BREAKDOWN with serial numbers starting 2427-3255

(Left hand shown, Right hand similar)



ITEM	PART NO.	DESCRIPTION
1a	980114	Door Assembly w/Proximity Magnet (SN 2958-3255, includes 1c)
1b	980084	Door Assembly w/Proximity Magnet (SN 2427-2957, includes 1c)
1b	SM47X5	Rubber Flap Gasket
2	980086	Salvage Basin
3	980085	Screen Assembly (2 pieces)
4	998058	Drain Valve
5	982132	Pump Cover
6	982123	Service Cover
7	980558	Proximity Switch Retrofit Kit
8a	320UL	Control Panel 208-230V 3PH
8b	396UL	Control Panel 460V 3PH
9a	980120R	Gearmotor Assembly 208-230V 1PH (used on 208V prior to serial number 3000, includes items 10-15)
9b	980120L	Gearmotor Assembly 208-230V 1PH (used on 208V prior to serial number 2999, includes items 10-15)
9c	980121R	Gearmotor Assembly 208-230/460V 3PH
9d	980121L	Gearmotor Assembly 208-230/460V 3PH
10a	981002	Gearmotor 208-230/460V 3PH
10b	991058	Gearmotor 208-230V 1PH
11	980060	Separator Cap Assembly (includes 11a and 11b)
11a	995007	Seal
11b	SM52G	Gasket
12	980059	Separator Assembly
13	995005	Bearing
14	SM4RBC	Bearing Carrier
15	980046	Separator Cleaner Assembly
16	980095	Water Harness Assembly (includes 17-19)
17	GP4007	Solenoid Valve Repair Kit
18	GP234024	Solenoid Coil 24V
19	998112	Tempering Valve (repair kit #998028)
20a	980077	Pump and Motor Assembly 208-230/460V 3PH (includes items 21-30)
20b	980076	Pump and Motor Assembly 208-230V 1PH (prior to serial number 3000, includes items 21-30)
21	980074	Pump Assembly (includes 22-29)
22	988010	Pump Housing
23	997089	Cap Screw (not used on 1-phase)
24	996027	Impeller
25	ECK511	Seal Kit
26	996047	Gasket
27	996028	O-Ring
28	988009	Pump Base
29	996030	V-Ring
30a	991060	Pump Motor 208-230V 1PH
30b	991061	Pump Motor 208-230/460V 3PH
31	982199	Tank Motor Base Bracket (sold separately)
32	15X90QEL	Elbow 1-1/2" x 90 Rubber (sold separately)
33	996019	Elbow Pump Discharge (sold separately)
34	988017	Nipple 12" PVC
35	TV84	Discharge Pipe Support Bracket
36	15X15BR	Coupling 1-1/2" x 1-1/2"



**The Salvajor Company**

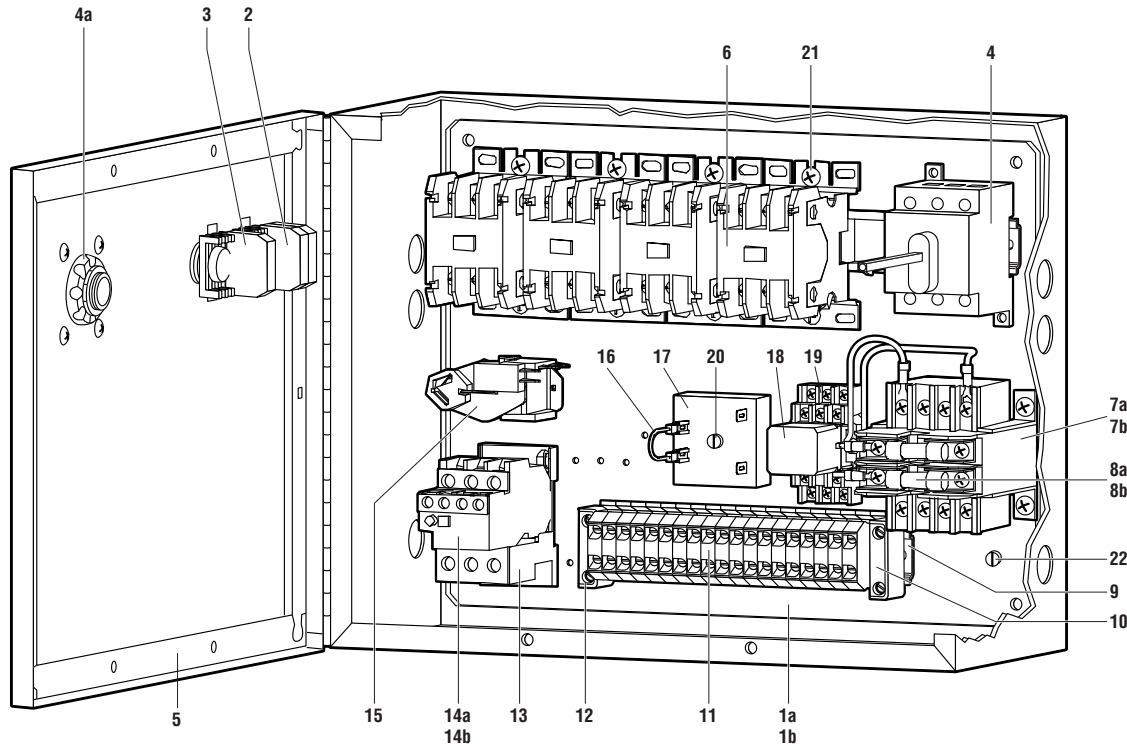
4530 East 75th Terrace  
Kansas City, MO 64132-2081 USA

1-888-SALVAJOR FAX 1-800-832-9373

# Salvajor TroughVeyor

## PRE-WIRED CONTROL PANEL PARTS BREAKDOWN

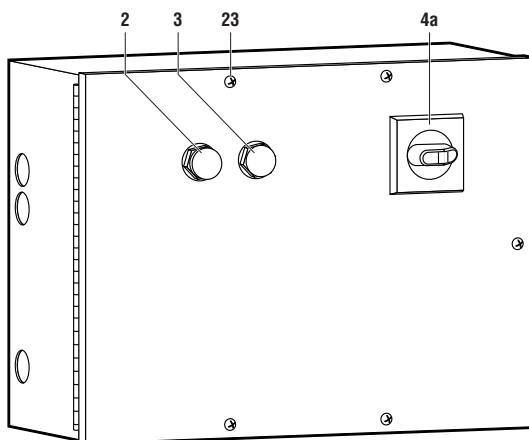
### Model TV Control Components with serial numbers 2427-3255



#### Item Numbers

VOLTAGE	PHASE	ITEM NO.
208 or 230	3	<b>320UL</b>
460	3	<b>396UL</b>

#### Control Box Assembly



#### ITEM PART NO. DESCRIPTION

1a	980320IP	Inner Panel Assembly 208-230V 3PH
1b	980396IP	Inner Panel Assembly 460V 3PH
2	ABD100B24	Start Button
3	ABD200A	Stop Button
4	994177	Line Disconnect Assembly (includes 4a)
4a	994263	Disconnect Handle
5	12155GA	Gasket Assembly (4 pieces)
6	994174	Contactors 24V (2 used on 208-230V, 4 on 460V)
7a	994115a	Transformer 208-230V 3PH with Fuses
7b	994115b	Transformer 460V 3PH with Fuses
8a	994095	Fuse 1 Amp (for 208-230V 3PH)
8b	994122	Fuse 1/2 Amp (for 460V 3PH)
9	994295	Din Rail Mounting Track
10	994294	End Block for Terminal Strip
11	994292	Terminal Block for Terminal Strip
12	994293	End Barrier for Terminal Strip
13	994123	Overload Mounting Base
14a	994108	Overload .66 Amps (for 208-230V 3PH)
14b	994291	Overload .33 Amps (for 460V 3PH)
15	994080	Alternator 24V
16	994233	Jumper (not used on 208-230V)
17	994125	Timer 24V with Jumper (not used on 208-230V)
18	994063	Relay 24V
19	994064	Relay Base 24V
20	997146	Screw 10-32 x 1"
21	997093	Screw 10-32 x 3/8"
22	SCR1032	Ground Screw 10-32
23	997032	Screw 10-32 x 5/8"



**The Salvajor Company**

4530 East 75th Terrace  
Kansas City, MO 64132-2081 USA

1-888-SALVAJOR FAX 1-800-832-9373