

# PARTS LIST

**GAS BOILERS MODELS:** CG214 (E)  
CG314 (E)  
CG414 (E)  
CG220 (E)  
CG320 (E)  
CG325 (E)  
CG330 (E)

**PARTS LIST**

**CABINET 28" HEIGHT**

<u>PART NUMBER</u>	<u>DESCRIPTION</u>	24"	36"	48"
8-1305	Side Panel	2	2	2
8-1303	R.H. Door		1	
8-1304	L.H. Door		1	
8-1932	Door	1		
9-3368-1	R.H. Door			1
9-3369-1	L.H. Door			1
5-MC02	Magnetic Catch	1	2	2
1-11C2	Catch Screws	4	8	8
5-FS67	Flanged Adj Foot	2	2	2
5-FS68	Adj Foot Insert	2	2	2
8-1308	Flanged Adj Foot (Pressure Cookers)		4	

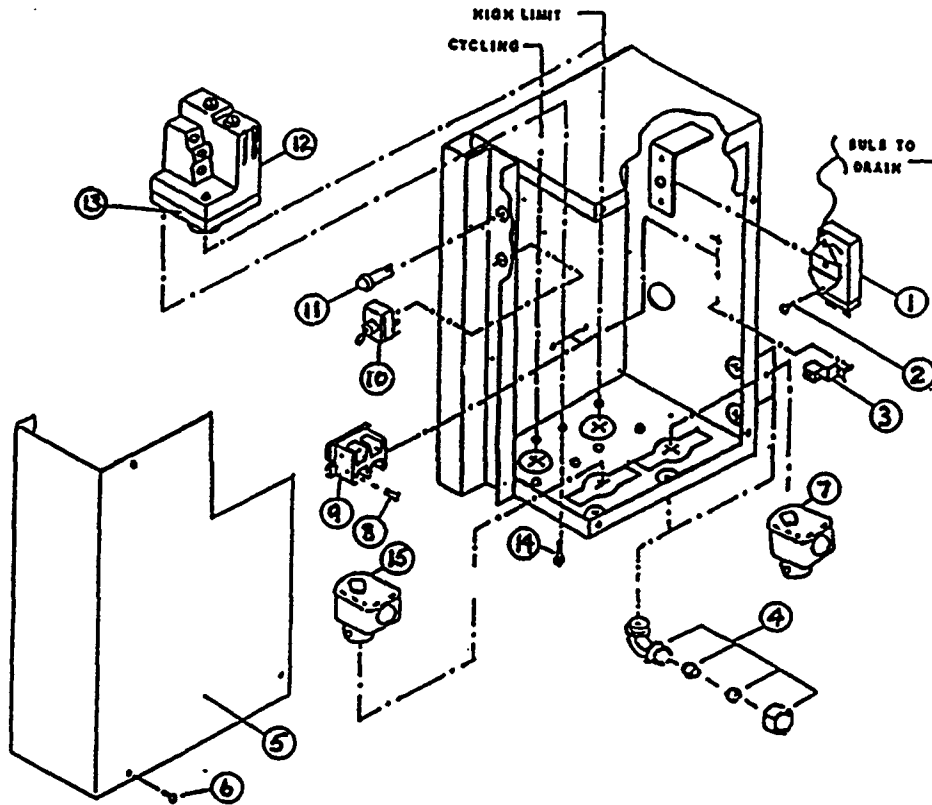
**PARTS LIST**

**CABINET 32" HEIGHT**

<u>PART NUMBER</u>	<u>DESCRIPTION</u>	24"	36"	42"	44"	48"	60"
8-1305-1	Side Panel	2	2	2	2	2	2
8-1932-1	Door	1					
8-1303-1	R.H. Door		1				
8-1304-1	L.H. Door		1				
9-3368-6	R.H. Door			1			
9-3369-5	L.H. Door			1			
9-3368	R.H. Door				1		
9-3369	L.H. Door				1		
9-3368-5	R.H. Door					1	
9-3369-4	L.H. Door					1	
9-3368-3	R.H. Door						1
9-3369-3	L.H. Door						1
9-3368-4	Center Door						1
5-MC02	Magnetic Catch	1	2	2	2	2	3
1-11C2	Catch Screws	4	8	8	8	8	12
5-FS67	Flanged Adj Foot	2	2	2	2	2	
5-FS68	Adj Foot Insert	2	2	2	2	2	
8-1308	Flanged Adj Foot						4

**PARTS LIST**

**GENERATOR BOX**



**PARTS LIST**

**GENERATOR BOX**

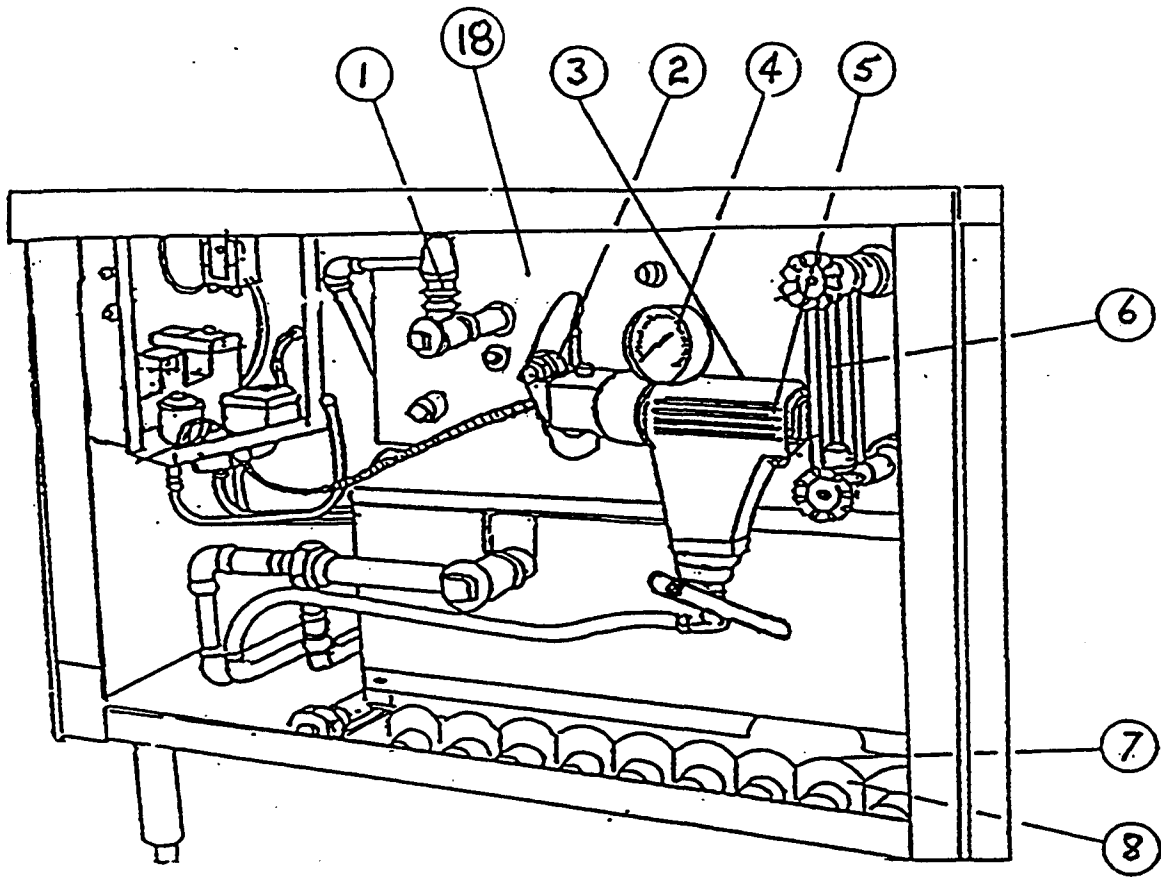
<u>ITEM</u>	<u>PART NUMBER</u>	<u>DESCRIPTION</u>	<u>QUANTITY</u>	
1	4-TH04	Drain thermostat.	1	
2	1-13C3	Thermostat screw	2	
3	4-70EU	Ground lug	1	
4	4-LQE7	L.T. Elbow assy.	3	
5	8-1244	Control box cover	1	
6	1-33C3	Cover bolts	4	
7 **	3-S162	Water cooling solenoid	1	10 Burner Unit with 16 Pan Cooker
	3-S161	Water cooling solenoid	1	
8	1-23C3	Terminal block •crews	4	
9	4-22TB	Terminal block	2	
	4-22ES	End section	1	
10	4-S191	Power switch	1	
11	4-PL04	pilot light	1	
12	3-PA26	Pressure switch	2	
13	3-RD20	Transducer	2	
14	1-55C8	Pressure switch bolt	8	
15 **	3-S252	Water fill solenoid	1	10 & 8 Burner only
	3-S162	Water fill solenoid	1	5 Burner only

\*\* SELECT AS REQUIRED

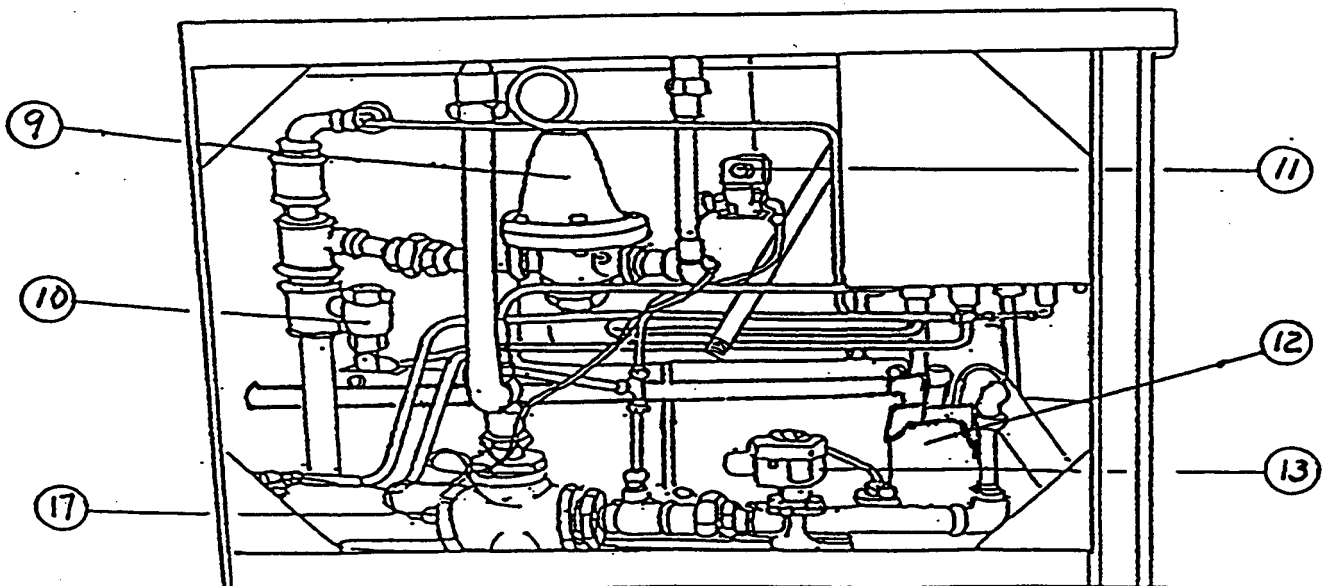
PARTS LIST

Figure 1

200,000, 250,000 & 300,000  
BTU BOILER  
(8 & 10 BURNER UNIT)



FRONT VIEW



LEFT SIDE VIEW

**PARTS LIST**

**From Figure 1**

<b><u>ITEM</u></b>	<b><u>PART NUMBER</u></b>	<b><u>DESCRIPTION</u></b>	<b><u>QUANTITY</u></b>
1	3-SRV3	Safety Belief Valve	1
2	8-1922	Handhole Cover Plate	1
	8-1923	Handhole Gasket	1
	8-1924	Yoke	1
	2-75U0	Nut	1
3(*)	6-36SS	Safety Sensor	1
	8-1400-1	Safety Sensor Cover 140,000	1
	8-1400-2	Safety Sensor Cover 250,000 & 300,000 BTU	1
4	3-PG30	Pressure Gauge	1
5	4-WC67	Water Level Control	1
		SEE FIGURE A	
6	3-WG20	Water Gauge	1
	8-6017	Water Gauge Glass	1
	8-6016	Rod	2
	8-6018	Rubber Washer	2
	8-6019	Brass Washer	2
7**(*)	6-36PB	Pilot Burner NAT	1
	6-36PB/1	Pilot Burner L.P.	1
7A*	4058-1	Pilot Bracket 300,000 BTU	1
8(*)**	8-1406	Burner 250,000 BTU	9
	8-1407	Burner c/w Pilot Bracket (Standing Pilot)	1
	8-1407-1	Burner c/w Pilot Bracket (Electronic Ignition)	1
	8-1406	Burner 200,000 BTU	7
	2936-1	Burner 300,000 BTU	8

<u>ITEM</u>	<u>PART NUMBER</u>	<u>DESCRIPTION</u>	<u>QUANTITY</u>
9**	3-PR52	Pressure Regulator (Pressure Cookers Only)	1
10	3-TST4	Steam Trap	1
11	3-S263	Override Solenoid	1
12**	6-36C0	Combination Gas Control NAT	1
	6-36C0/1	Combination Gas Control L.P.	1
13	3-S567	Blowdown Solenoid	1
	3-BVE0	Manual Blow Down Valve	1
14(*)	8-1912	Manifold Assy.	1
	2920-1	Manifold Assy. 300,000 BTU	1
15(*)	9-3351-39	Orifice Nat 250,000 BTU	10
	9-3351-39	Orifice Nat 200,000 BTU	8
	9-3351-31	Orifice Nat 300,000 BTU	8
**	9-3351-52	Orifice L.P. 250,000 BTU	10
	9-3351-52	Orifice L.P. 200,000 BTU	8
	9-3351-49	Orifice L.P. 300,000 BTU	8
16(*)	6-36TB	Thermocouple	1
17**	8-1423	Drain Assy. Pressureless Cooker	1
	8-1424	Drain Assy. Pressure & Boilers	1
18**	8-6014	Boiler Shell (36" cabinet)	1
	8-6014-1	Boiler Shell (44" cabinet)	1
	8-6014-2	Boiler Shell (48" x 60" cabinet)	1
19 (*)	9-3111	Burner Box Assy. 200,000 & 250,000 BTU	1
	2322-1	Burner Box Assy. 300,000 BTU	1
20 (*)	9-3112	Top Insulation Cover	1
	2861-1	Top Insulation Cover 300,000 BTU	1
21(*)	9-3113	R.H. Insulation Cover	1
	2863-1	R.H. Insulation Cover 300,000 BTU	1

<u>ITEM</u>	<u>PART NUMBER</u>	<u>DESCRIPTION</u>	<u>QUANTITY</u>
22(*)	9-3114	L.H. Insulation Cover	1
	2866-1	L.H. Insulation Cover 300,000 BTU	1
23(*)	9-3115	Front Insulation Cover	1
	2963-1	Front Insulation Cover 300,000 BTU	1 1
24(*)	8-6011	Cathodic Descaler	1
	9-3441	Cathodic Descaler	1

(\*) NOT SHOWN

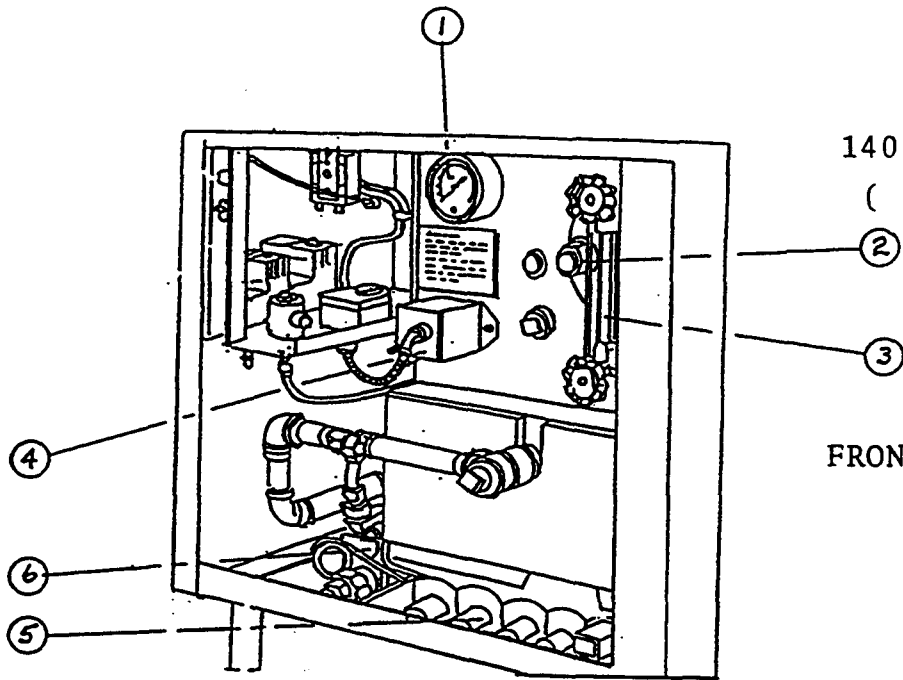
\*\* SELECT AS REQUIRED



PARTS LIST

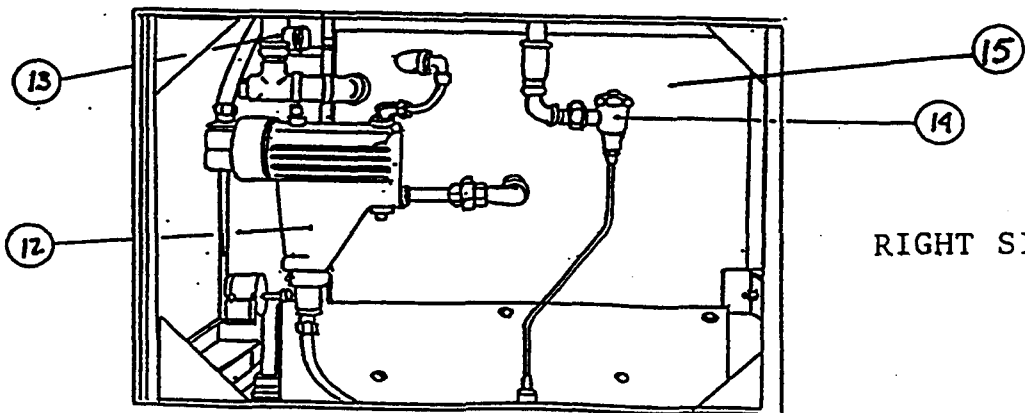
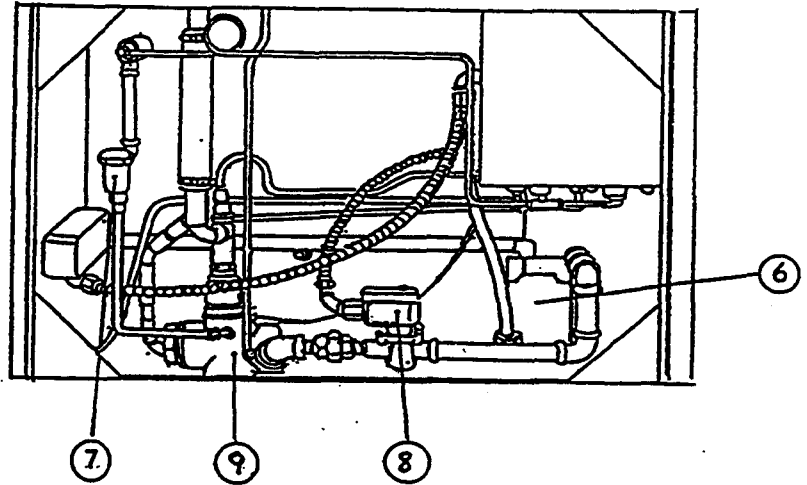
FIG. 2

140,000 & 200,000 BTU  
( 5 BURNER UNIT )



FRONT VIEW

LEFT SIDE VIEW



RIGHT SIDE VIEW

**PARTS LIST**

From Figure 2

<b><u>ITEM</u></b>	<b><u>PART NUMBER</u></b>	<b><u>DESCRIPTION</u></b>	<b><u>QUANTITY</u></b>
1	3-PG30	Pressure Gauge	1
2	8-1922	Handhole Cover Plate	1
	8-1923	Handhole Gasket	1
	8-1924	Yoke	1
	2-75U0	Nut	1
3	3-WG20	Water Gauge	1
	8-6017	Water Gauge Glass	1
	8-6016	Rod	2
	8-6018	Rubber Washer	2
	8-6019	Brass Washer	2
4 (*)	6-36SS	Safety Sensor	1
	8-1400	Safety Sensor Cover	1
5 (*) **	8-1420	Burner (200,000 BTU)	4
	8-1421	Burner c/w Pilot Bracket (200.000 BTO) Standing Pilot	1
	8-1421-1	Burner c/w Pilot Bracket Electronic Ignition	1
	8-1406	Burner (140,000 BTU)	4
	8-1407	Burner c/w Pilot Bracket (140.000 BTU) Standing Pilot	1
	8-1407-1	Burner c/w Pilot Bracket (Electronic Ignition)	1
6**	6-36C0	Combination Gas Control MAT (140.000)	1
	6-36C0/1	Combination Gas Control L.P. (140.000 BTU)	1

<u>ITEM</u>	<u>PART NUMBER</u>	<u>DESCRIPTION</u>	<u>QUANTITY</u>
	6-36C1	Combination Gas Control NAT (200.000 BTU)	1
	6-36C1-1	Combination Gas Control LP (2000,000 BTU)	1
7	3-TST4	Steam Trap	1
8**	3-S567	Blowdown Solenoid	1
	3-BVE0	Manual Down Valve	1
9**	8-1423	Drain Assy. Pressureless	1
	8-1424	Drain Assy. Boiler	1
10(*)	6-36TB	Thermocouple	1
11(*)**	6-36PB	Pilot NAT	1
	6-36PB/1	Pilot LP	1
12	4-WC67	Water Level Control  SEE FIGURE A	1
13	3-SRV3	Safety Relief Valve	1
14	3-TST4	Steam Trap	1
15**	8-6015	Boiler Shell 140,000 (GCX-2 CG314)	1
	8-6015-1	Boiler Shell 200.000 (GCX-2 CG320)	1
	8-6015-2	Boiler Shell 200,000 (GCX-2-6 GMT 6,10)  Oyster Bar	1
16(*)**	9-3110	Burner Box Assy. 140,000 BTU	1
	9-3110-1	Burner Box Assy. 200,000 BTU	1
17(*)	9-3176	Top Insulation Cover	1
18	9-3177	LH Insulation Cover	1
19	9-3178	RH Insulation Cover	1
20	9-3179	Front Insulation Cover	1

<u>ITEM</u>	<u>PART NUMBER</u>	<u>DESCRIPTION</u>	<u>QUANTITY</u>
21(*)**	8-6011	Cathodic Decaler	1
	9-3491	Cahtodic Descaler	1
22(*)**	9-3351-37	Orifice NAT 140,000 BTU	5
	9-3351-52	Orifice LP 140,000 BTU	5
	9-3351-31	Orifice NAT 200,000 BTU	5
	9-3351-49	Orifice LP 200,000 BTU	5
23(*)	8-1911	Manifold Assy	1

(\*) NOT SHOWN

\*\* SELECT AS REQUIRED

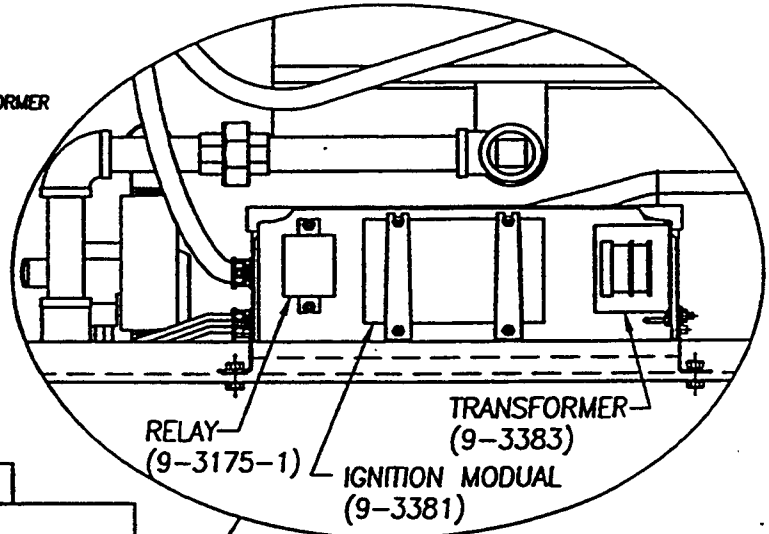
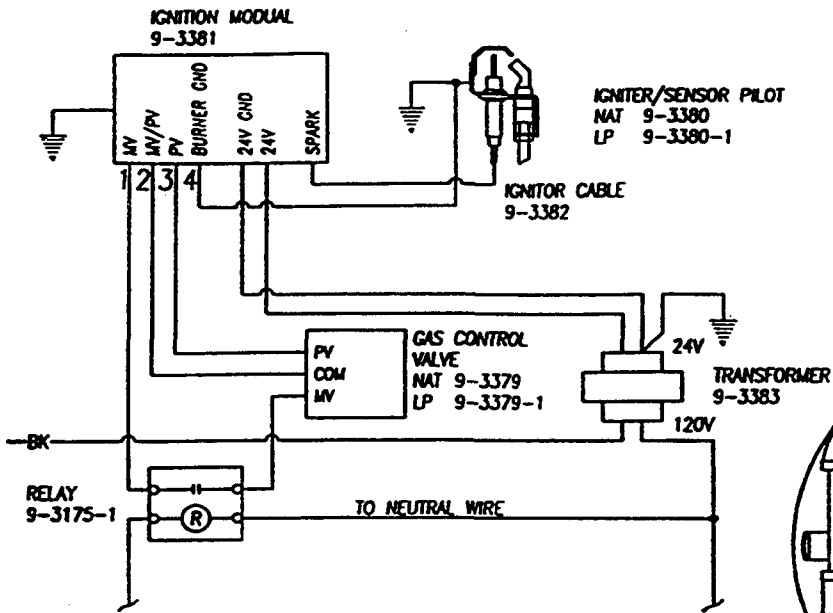
## ELECTRONIC IGNITION PARTS

<u>ITEM NUMBER</u>	<u>PART NUMBER</u>	<u>DESCRIPTION</u>	<u>QUANTITY</u>
1*	9-3379	Gas Control Valve - NAT	1
2*	9-3379-1	Gas Control Valve - L.P.	1
3*	9-3380	Pilot Burner c/w Spark Ignitor NAT	1
4*	9-3380-1	Pilot Burner c/w Spark Ignitor L.P.	1
5	9-3381	Intermittent Pilot Module	1
6	9-3382	Ignitor Cable	1
7	9-3383	Transformer	1
8	9-3384-1	Control Box	1
9	9-3385-1	Cover	1
10	9-3386-1	Component Mounting Bracket	1
11	9-3175-1	Relay	1
12*	9-3379-2	Gas Control Valve NAT (200,000 BTU, 5 Burner)	1
13*	9-3379-3	Gas Control Valve LP (200,000 BTU, 5 Burner)	1

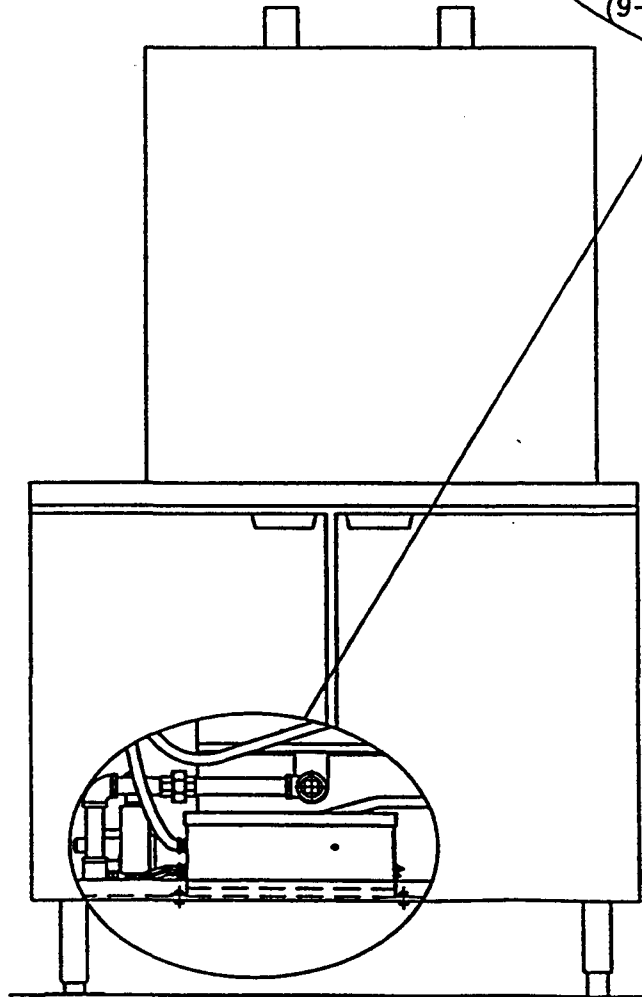
\* SELECT AS REQUIRED

PARTS LIST

ELECTRONIC IGNITION ASS'Y  
140,000, 200,000 & 250,000  
BTU BOILERS

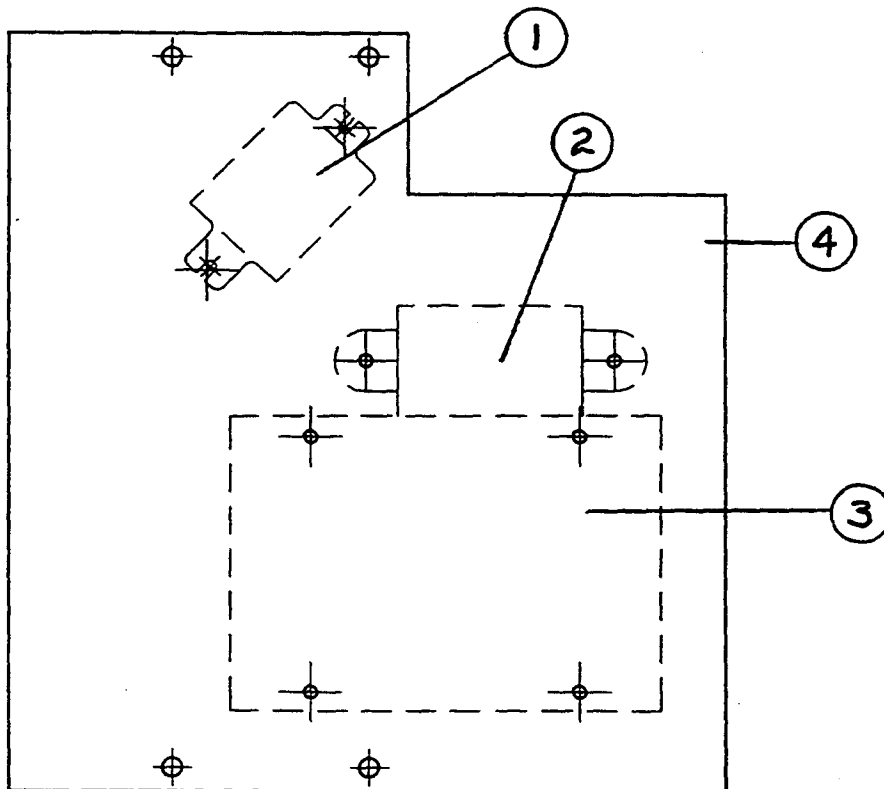


NOTE: SEE WIRING DIAGRAM



**300,000 BTU BOILER  
ELECTRICAL PARTS ARE LOCATED IN  
CONTROL BOX ON COVER**

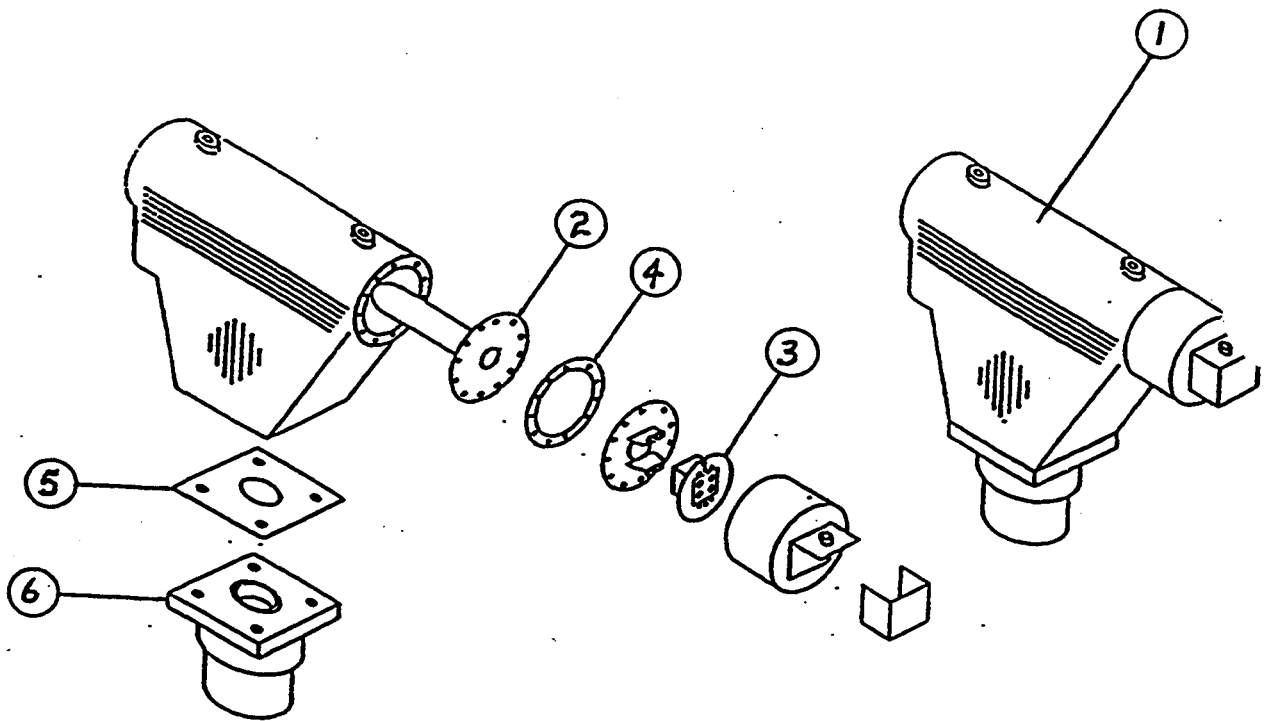
<u>ITEM</u>	<u>PART NUMBER</u>	<u>DESCRIPTION</u>	<u>QUANTITY</u>
1	9-3175-1	Relay	1
2	9-3383	Transformer	1
3	9-3381	Intermittent Pilot Module	1
4	4055-1	Control Box Cover	1
5*	9-3379	Gas Valve - NAT	1
	9-3379-1	Gas Valve - LP	1
6*	9-3380	Pilot Burner - NAT	1
	9-3380-1	Pilot Burner - LP	1
7	9-3382	Ignitor Cable	1



PARTS LIST:

WATER CONTROL:

FIG. A



<u>ITEM</u>	<u>PART NO.</u>	<u>DESCRIPTION</u>
1	4-WC67	Low Water Cut Off
2	8-6023	Float Only
3	8-6022	Switch Only
4	8-6020	Round Gasket
5	8-6021	Square Gasket
6	8-6026	Slowdown Valve
7	8-6025	Float (2) Switch (3) Gasket (4)
8	4080-1	Lever Handle - Blowdown



**BOILER CONVERSION KIT FOR STANDING PILOT**

<b><u>BOILER RATING</u></b>	<b><u>GAS</u></b>	<b><u>KIT NUMBER</u></b>
250,000 BTU	L.P. Kit	9-3311
250,000 BTU	NAT Kit	9-3312
140,000 BTU	L.P. Kit	9-3315
140,000 BTU	NAT Kit	9-3316
300,000 BTU	L.P. Kit	9-3311-3
300,000 BTU	NAT Kit	9-3312-3

**FIVE BURNER UNIT**

<b><u>BOILER RATING</u></b>	<b><u>GAS</u></b>	<b><u>KIT NUMBER</u></b>
200,000 BTU	L.P. Kit	9-3309
200,000 BTU	NAT Kit	9-3310

**EIGHT BURNER UNIT**

200,000 BTU	L.P. Kit	9-3313
200,000 BTU	NAT Kit	9-3314

## **BOILER CONVERSION KIT FOR ELECTRONIC IGNITION**

<b><u>BOILER RATING</u></b>	<b><u>GAS</u></b>	<b><u>KIT NUMBER</u></b>
250,000 BTU	L.P. Kit	9-3311-1
250,000 BTU	NAT Kit	9-3312-1
140,000 BTU	L.P. Kit	9-3315-1
140,000 BTU	NAT Kit	9-3316-1
300,000 BTU	L.P. Kit	9-3311-2
300,000 BTU	NAT Kit	9-3312-2

### **FIVE BURNER UNIT**

<b><u>BOILER RATING</u></b>	<b><u>GAS</u></b>	<b><u>KIT NUMBER</u></b>
200,000 BTU	L.P. Kit	9-3309-1
200,000 BTU	NAT Kit	9-3310-1

### **EIGHT BURNER UNIT**

200,000 BTU	L.P. Kit	9-3313-1
200,000 BTU	NAT Kit	9-3314-1