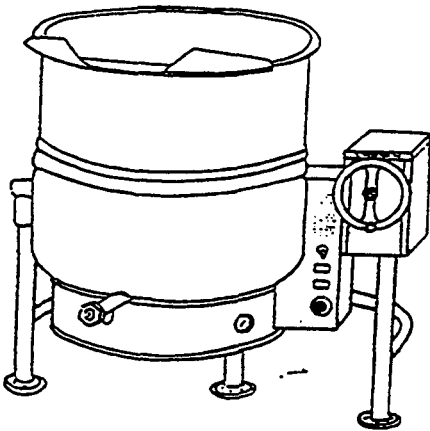


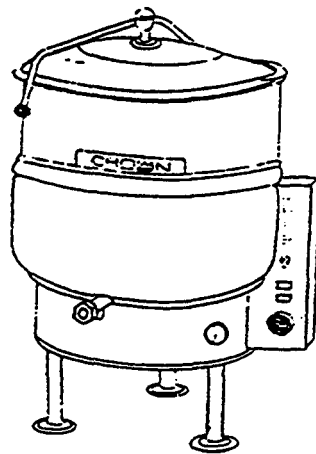
PARTS LIST

SELF-GENERATING STEAM JACKETED KETTLES

MODELS ELT-20 THRU 100



MODELS EL-20 THRU 100

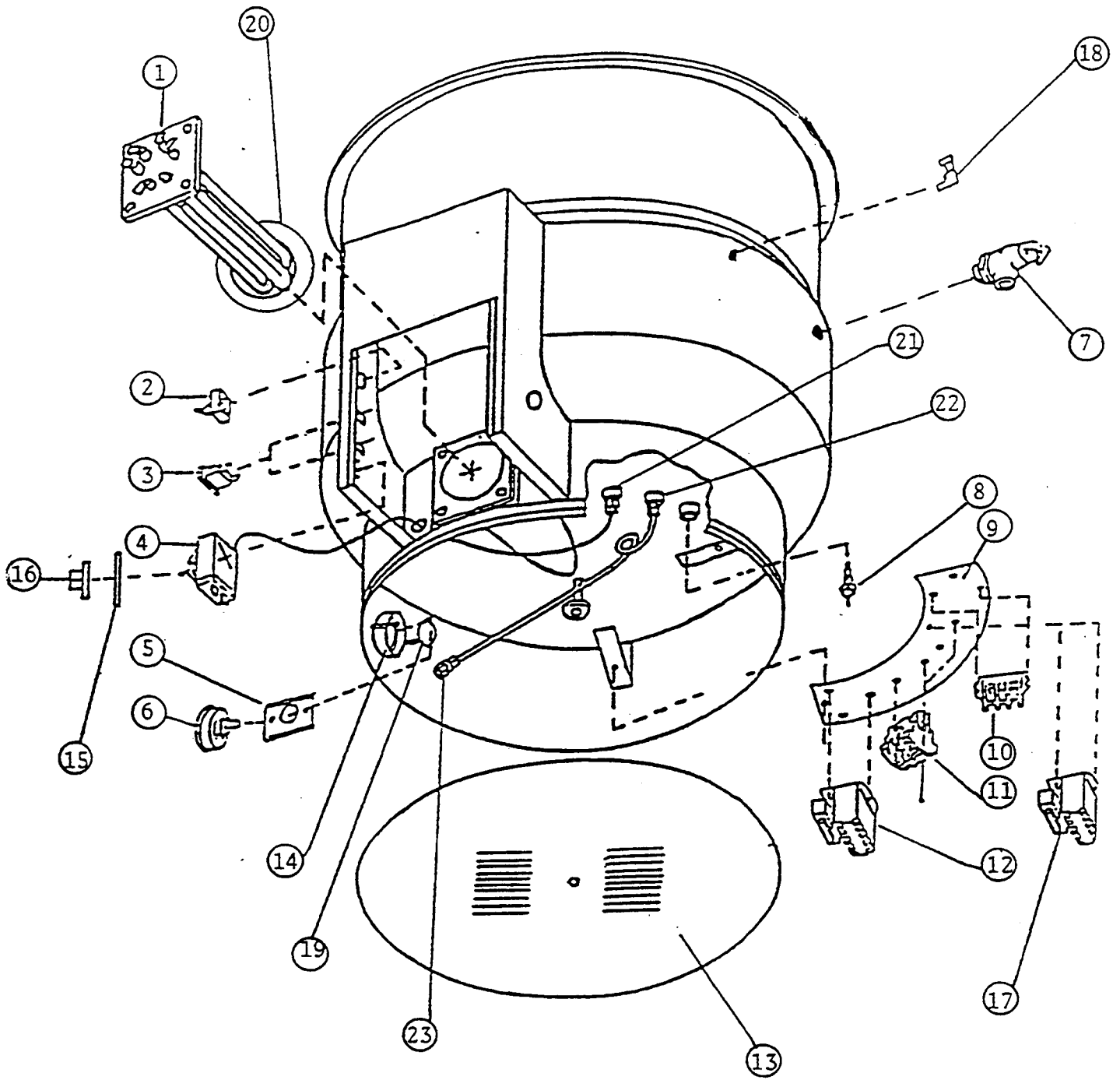


MODELS EP-20 THRU 100



PARTS LIST

FIG: 1



PARTS LIST

FROM FIGURE 1

<u>ITEM</u>	<u>PART NUMBER</u>	<u>DESCRIPTION</u>	<u>QUANTITY</u>
1	*7-50XX	Element Assy. See Page 3 For Ordering Information	1
2	4-S101	Power Switch	1
3	4-PL08	Pilot Light	2
4	4-TH05	Thermostat	1
5	8-3097	Mounting Plate	1
6	3-PG00	Pressure Gauge	1
7	3-SRV9/1	Relief Valve	1
8	4-LLP1	Probe	1
9	*8-2070	Mounting Plate 20 Gallon	1
	*8-2071	Mounting Plate 30 Gallon	1
	*8-2072	Mounting Plate 40 Gallon	1
	*8-2073	Mounting Plate 60 Gallon	1
	*8-2074	Mounting Plate 80 Gallon	1
	*8-2075	Mounting Plate 100 Gallon	1
10	4-33ES	End Section	1
	4-33TB	Terminal Block	3
11	*4-NG41	Contactors See Page 3 For Ordering Information	
	*4-NG42	Contactors See Page 3 For Ordering Information	
	*4-DG42	Contactors See Page 3 For Ordering Information	
12	4-LLC1	Liquid Level Control	1

<u>ITEM</u>	<u>PART NUMBER</u>	<u>DESCRIPTION</u>	<u>QUANTITY</u>
13	*8-2077	Bottom Cover ELT-20	1
	*8-2078	Bottom Cover ELT-30	1
	*8-2079	Bottom Cover ELT-40	1
	*8-2080	Bottom Cover ELT-60	1
	*8-2081	Bottom Cover ELT-80	1
	*8-2082	Bottom Cover ELT-100	1
	*8-2077-1	Bottom Cover EL-20	1
	*8-2078-1	Bottom Cover EL-30	1
	*8-2079-1	Bottom Cover EL-40	1
	*8-2080-1	Bottom Cover EL-60	1
	*8-2081-1	Bottom Cover EL-80	1
	*8-2082-1	Bottom Cover EL-100	1
14	8-3098	Pressure Gauge Ring	1
15	4-TB05	Bezel	1
16	4-TK05	Knob	1
17	4-T2XX	Transformer See Page 3 For Ordering Information	
18	3-AV01	Air Vent Assy.	1
19	2-230R	O Ring	1
20	8-3147	Element Gasket	1
21	2-686C	Fitting	1
22	3-684C	Fitting	1
23	3-664B	Fitting	1
24*	*8-3030	Control Box Cover 20 Gallon	1
	*8-3030-1	Control Box Cover 30 Gallon	1
	*8-3030-2	Control Box Cover 40 Gallon	1
	*8-3030-3	Control Box Cover 60 Gallon	1
	*8-3030-4	Control Box Cover 80 Gallon	1
	*8-3030-5	Control Box Cover 100 Gallon	1

** NOT SHOWN

* SELECT AS REQUIRED

PARTS LIST

FROM FIGURE 1

12 KW UNITS

VOLTAGE	ELEMENT NUMBER	CONTACTOR 4-NG41	FUSE 1/2A	FUSE BLOCK 8-6037	TRANSFORMER
208	7-5019	2	N/R	N/R	N/R
220	7-5020	2	N/R	N/R	N/R
380	7-5020	1	2	1	4-T252
220/380	7-5020	1	N/R	N/R	N/R
240	7-5021	2	2	N/R	N/R
416	7-5021	1	2	2	4-T259
240/416	7-5021	1	N/R	N/R	N/R
480	7-5022	1	2	2	4-T255

15 KW UNITS

208	7-5023	1	N/R	N/R	N/R
220	7-5024	2	N/R	N/R	N/R
380	7-5024	1	2	2	4-T252
220/380	7-5024	1	N/R	N/R	N/R
240	7-5025	2	N/R	N/R	N/R
416	7-5025	1	2	2	4-T259
240/416	7-5025	1	N/R	N/R	N/R
480	7-5026	1	2	2	4-T255

18 KW UNITS

208	7-5027	2	N/R	N/R	N/R
220	7-5028	2	N/R	N/R	N/R
380	7-5028	1	2	2	4-T252
220/380	7-5028	1	N/R	N/R	N/R
240	7-5029	2	N/R	N/R	N/R
416	7-5029	1	2	2	4-T259
240/416	7-5029	1	N/R	N/R	N/R
480	7-5030	1	2	2	4-T255

24 KW UNITS

CONTACTOR
4-CG42

208	7-5031	2	N/R	N/R	N/R
240	7-5032	2	N/R	N/R	N/R
480	7-5033	1	2	2	4-T255

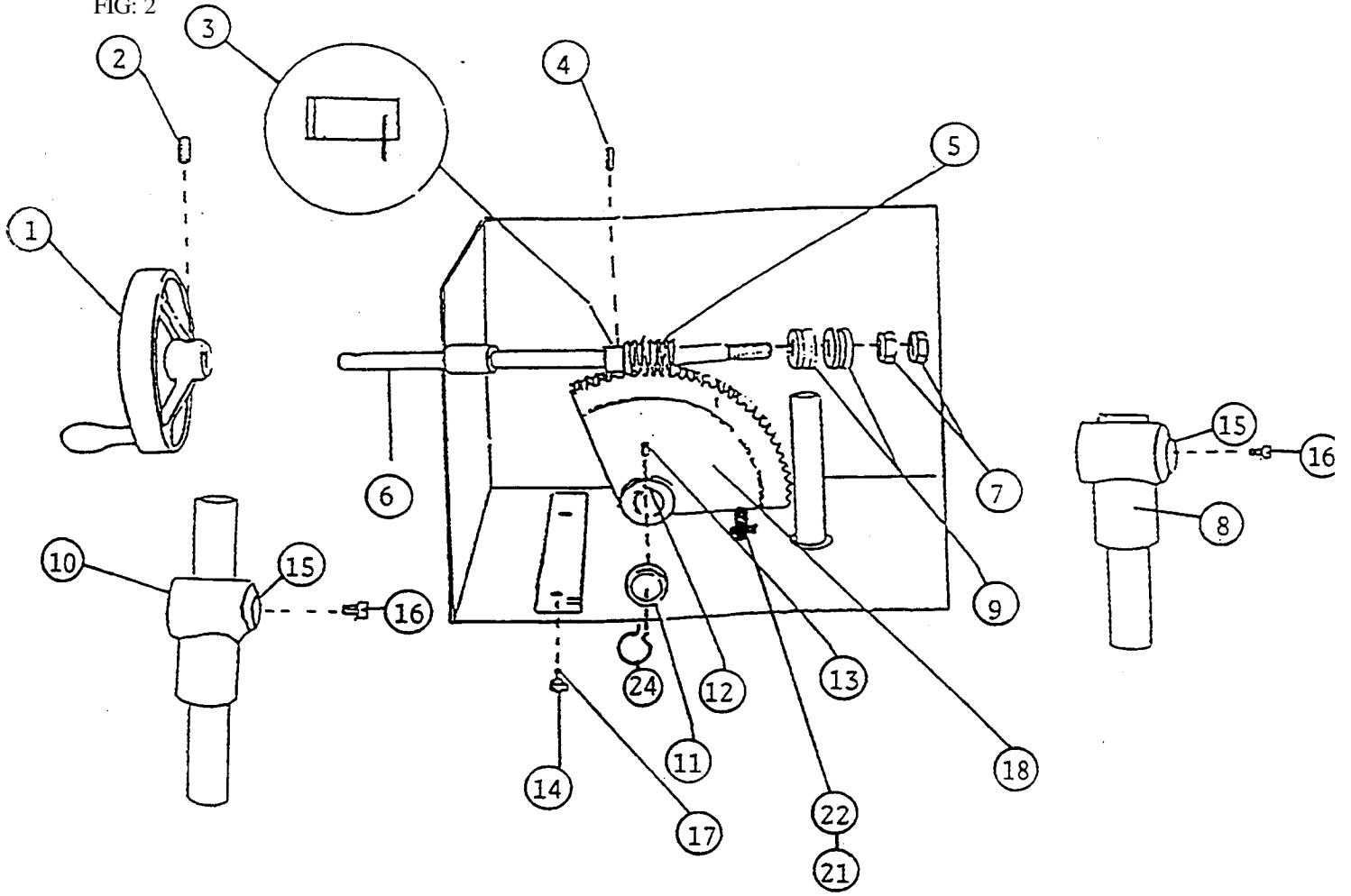
33 KW UNITS

CONTACTOR
4-DG42

208	7-5034	2	N/R	N/R	N/R
240	7-5035	2	N/R	N/R	N/R
480	7-5036	1	2	2	4-T255

PARTS LIST

FIG: 2



[Parts List](#)

PARTS LIST

From Figure 2

<u>ITEM</u>	<u>PART NUMBER</u>	<u>DESCRIPTION</u>	<u>QUANTITY</u>
1	8-2054	Handwheel	1
2	1-72U4	Set Screw	1
3	8-2090	Block Bearing	1
4	2-T6U5	Tension Pin	1
5	8-2053	Worm Gear	1
6	8-2055	Tilt Shaft	1
7	2-HM66	Jam Nut	2
8	8-2085E	Outbore Bearing	1
9	2-LTJ6	Thrust Bearing	2
10 *	8-2085EE (specify model)	Outbore Bearing c/w extension used with spring asst. cover only	1
11	8-2057	Spacer Collar	1
12	8-2075-1	Key	1
13	1-52U4	Set Screw	1
14	1-75C8	Bolt	4
15	9-3197	St. St. Washer	1
16	9-3198	Bolt	1
17	1-70C0	Lock washer	4
18	8-2051	Segment Gear	1
19**	8-3015-1	Console Cover	1
20**	8-1308	Flanged Adj. Foot	3
21	2-72-07	Set Screw	1
22	1-79C0	Nut 3/8-16	1
23**	4-M605	Interlock Switch	1
24	1-R315	Retaining Ring	1

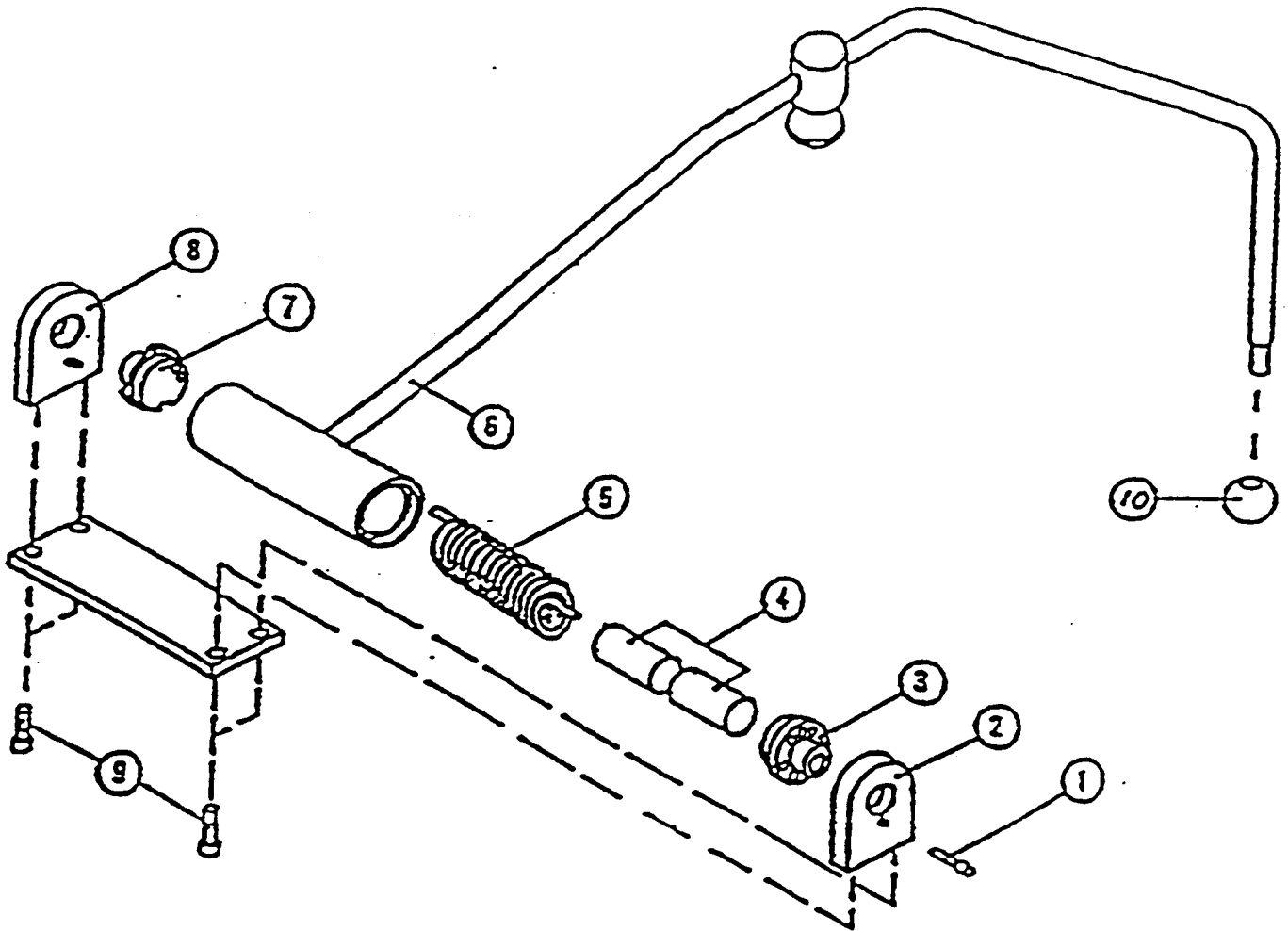
** NOT SHOWN

* SELECT AS REQUIRED

PARTS LIST

SPRING ASSIST HINGE ASSEMBLY

OPTIONAL ON ELT MODELS AND EL, EP 20, 30, 40 GAL.
STANDARD ON EL₁ & EP 60 & 80 GAL.



PARTS LIST

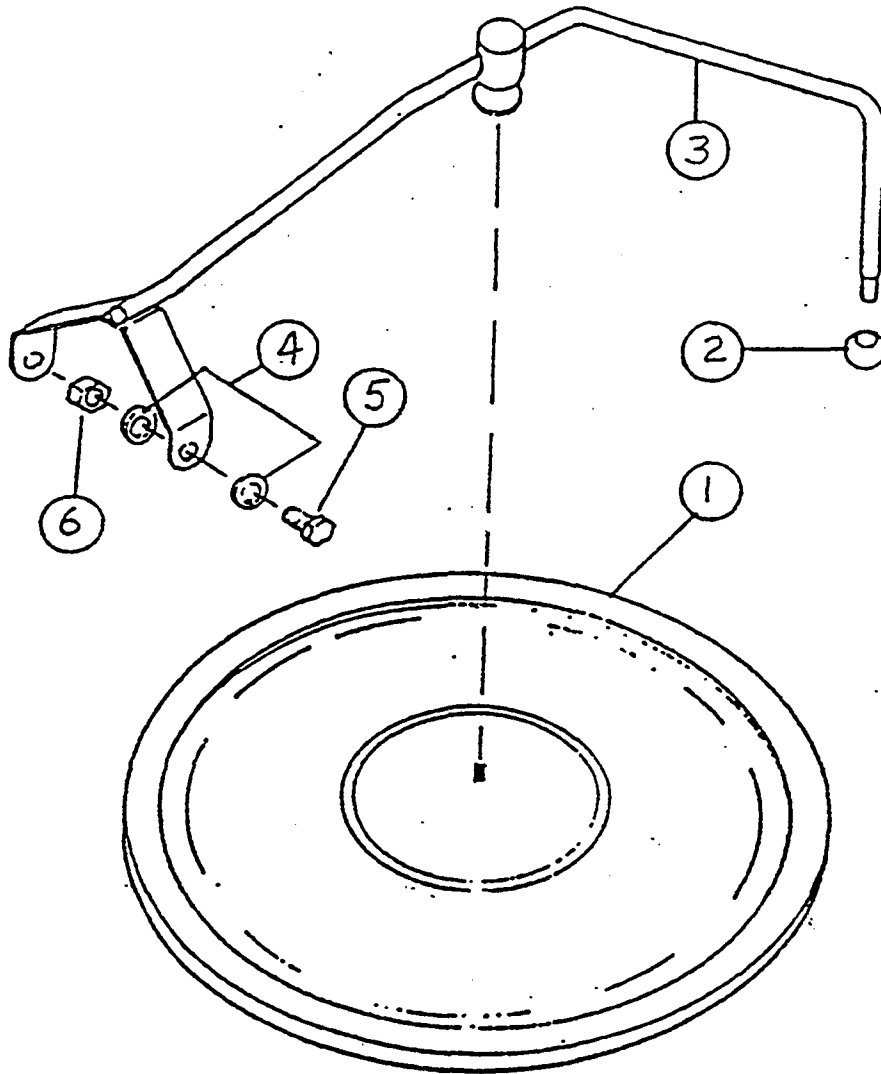
<u>ITEM</u>	<u>PART NUMBER</u>	<u>DESCRIPTION (20-40 GAL KETTLE)</u>	<u>QUANTITY</u>
	9-3184	Hinge Assy	
1	8-2029	Lock Pin	1
2	8-2035	End Lock Plate	1
3	8-2036	Stationary Disc	1
4	8-2025S	Cores	2
5	8-2026S	Spring	1
6**	8-2028	Handle Assy. 20 Gallon Kettle	1
	8-2028-1	Handle Assy. 30 Gallon Kettle	1
	8-2028-2	Handle Assy. 40 Gallon Kettle	1
7	8-2037	Rotary Disc	1
8	8-2034	End Stop Plate	1
9	1-56S6	Cap Screws	4
10	2-KB01	Knob	1
	9-3185	Hinge Assy. (60-100 Gallon Kettle)	
1	8-2029	Lock Pin	1
2	8-2035L	End Lock Plate	1
3	8-2023	Stationary Disc	1
4	8-2025	Cores	2
5	8-2026	Spring	1
6**	8-2027	Handle Assy. 60 Gallon Kettle	1
	8-2027-1	Handle Assy. 80 Gallon Kettle	1
	8-2027-2	Handle Assy. 100 Gallon Kettle	1
7	8-2024	Rotary Disc	1
8	8-2021	End Stop Plate	1
9	1-66S6	Cap Screws	4
10	2-KB01	Knob	1

** Select As Required

PARTS LIST

COUNTERBALANCED
HINGED COVER

STANDARD ON EL & EP 20, 30, 40 GAL. NOT
AVAILABLE ON ELT MODELS.



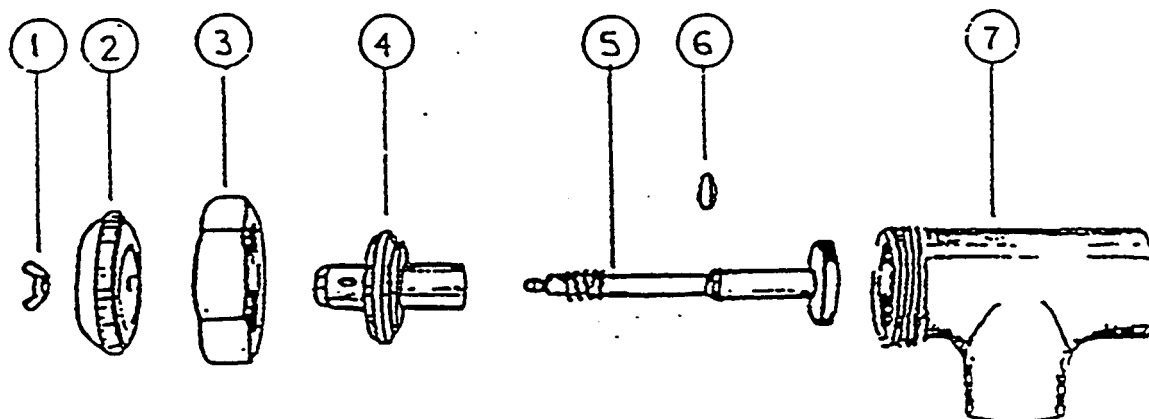
PARTS LIST

<u>ITEM</u>	<u>PART NUMBER</u>	<u>DESCRIPTION</u>	<u>QUANTITY</u>
1**	8-2003	Cover 20 Gallon Kettle	1
	8-2004	Cover 30 Gallon Kettle	1
	8-2005	Cover 40 Gallon Kettle	1
2	2-KB01	Knob	1
3**	9-3231	Handle Assy. 20 Gallon Kettle	1
	9-3231-1	Handle Assy. 30 Gallon Kettle	1
	9-3231-2	Handle Assy. 40 Gallon Kettle	1
4	1-W0V6	Fibre Washer	4
5	1-85S8	Bolt	2
6	1-89S0	Nut	2

** Select As Required

PARTS LIST

DRAW OFF VALVES



OPTIONAL ON ALL ELT MODELS
 STANDARD 2" DRAW OFF ON EL & EP MODELS
 OPTIONAL 1-1/2" OR 3".

<u>ITEM</u>	<u>PART NUMBER</u>			<u>DESCRIPTION</u>	<u>QTY</u>
	<u>1 1/2" valve</u>	<u>2" Valve</u>	<u>3" Valve</u>		
1	3-DV01	3-DV01	3-DV31	Nut	1
2	3-DV02	3-DV02	3-DV32	Handle	1
3	3-DV13	3-DV23	3-DV33	Hex. Assembly Nut	1
4	3-DV14	3-DV24	3-DV34	Bonnet	1
5	3-DV15RV	3-DV25RV	3-DV35RV	Disc & Stem Assembly	1
6	3-DV16	3-DV26	3-DV36	'o' Ring	1
	3-DV17	3-DV27	3-DV37	Valve Body	1