



PARTS MANUAL

G, SL & B-Series

GAS CONVECTION OVENS

G-Series Models

GS/15SC
GS/15CCH
GS/25SC
GS/25CCH
GB/15SC
GB/15CCH
GB/25SC
GB/25CCH

SL-Series Models

SLGS/12SC SLGS/19SC
SLGS/12CCH SLGS/19CCH
SLGS/22SC SLGS/29SC
SLGS/22CCH SLGS/29CCH
SLGB/12SC SLGB/19SC
SLGB/12CCH SLGB/19CCH
SLGB/22SC SLGB/29SC
SLGB/22CCH SLGB/29CCH

B-Series Models

BGS/12SC
BGS/22SC



Model GS/15SC



Model SLGS/12SC

1100 Old Honeycutt Road, Fuquay-Varina, NC 27526
www.southbendnc.com

Copyright © 2014 by Southbend. All rights reserved. Published in the United States of America.

MANUAL 1198300 REV 4 (10/14)
ECN – 14-150

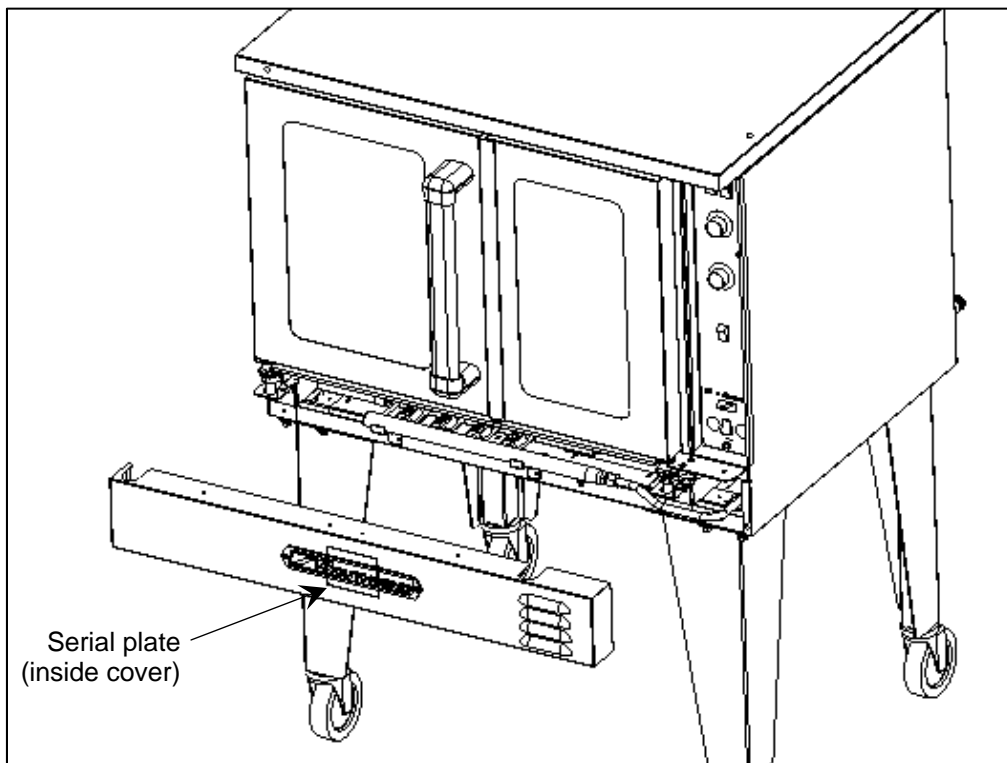
FULL SIZE
GAS CONVECTION OVENS



Replacement parts may be ordered either through a Southbend Authorized Parts Distributor or a Southbend Authorized Service Agency. It is recommended to verify part numbers with a Southbend Authorized Parts Supplier or the Southbend Parts/Service Dept. prior to ordering parts.

When ordering parts, you will need to supply the Model Number, Serial Number, Part Number, Description, Finish, and Electrical Characteristics as applicable to the unit.

The serial plate is located on the interior side of the lower front panel, as shown below.



INFORMATION



ELECTRICITY SUPPLY

Convection ovens require connection to a supply of electricity. The appliance, when serviced, must be electrically grounded in accordance with local codes, or in the absence of local codes, with the *National Electrical Code, ANSI/NFPA 70*, or the *Canadian Electrical Code, CSA C22.2*, as applicable. An electrical diagram is located on the side of the control panel assembly in each unit. (see drawing on page 5).

Power Option	Power Type	# of Ovens	Maximum Amps
120/60/1	120 Volts, 60 Hz, Single Phase	Single-Deck	7.9
		Double-Deck	15.8
208/60/1or3	190-219 Volts, 60 Hz, Single or Three Phase	Single-Deck	4.3
		Double-Deck	8.6
240/60/1or3	220-240 Volts, 60 Hz, Single or Three Phase	Single-Deck	3.8
		Double-Deck	7.5
240/50/1or3	208-240 Volts, 50 Hz, Single or Three Phase	Single-Deck	6.0
		Double-Deck	12.0

Ovens ordered with the 120V power option are equipped with one or two power cords with a standard 120V single-phase plug with a ground prong. Single-deck ovens will have one power cord; double-deck ovens will have two.

Ovens with other power options have a terminal block on the rear of the oven that must be wired to the power supply. Depending on how the power supply is connected to the terminal block, the oven can operate on either single-phase or three-phase power.

GAS SUPPLY

The serial plate is located inside the lower front panel. It indicates the type of gas the unit is equipped to burn. All Southbend equipment is adjusted at the factory. Check type of gas on serial plate.

These models are design-certified for operation on natural or propane gases. For natural gas, the regulator is set to deliver a 4.0" W.C. pressure to the manifold. For propane gas, it is set to deliver 11" W.C.

If applicable, the vent line from the gas appliance pressure regulator shall be installed to the outdoors in accordance with local codes, or in the absence of local codes, with the *National Fuel Gas Code, ANSI Z223.1, Natural Gas Installation Code, CAN/CGA-B149.1*, or the *Propane Installation Code CAN/CGA-B149.2*, as applicable.

This appliance should be connected **ONLY** to the type of gas for which it is equipped.

A 3/4" NPT line is provided at the rear for the gas connection. An adequate gas supply is imperative. Undersized or low pressure lines will restrict the volume of gas required for satisfactory performance. Fluctuations of more than 25% on natural gas or 10% on propane gas will create problems and affect burner operating characteristics.

An adequate gas supply line to the unit should be no smaller than the inside diameter of the pipe from the unit to which it is connected.

Purge the supply line to clean out dust, dirt, or other foreign matter before connecting the line to the unit.

All pipe joints and connections must be tested thoroughly for gas leaks. Use only soapy water for testing on all gases. **NEVER** use an open flame to check for gas leaks. All connections must be checked for leaks after the unit has been put into operation. Test pressure should not exceed 1/4" W.C.



Reference chart for unit specific gas type properties:

Model Number	# of Ovens	Total BTU	Type of Gas	Orifice Size
BGS/12...	Single-Deck	54,000	Propane	56
			Natural Gas	47
BGS/22...	Double-Deck	108,000	Propane	56
			Natural Gas	47
SLGS/12... SLGB/12...	Single-Deck	72,000	Propane	56
			Natural Gas	47
SLGS/22... SLGB/22...	Double-Deck	144,000	Propane	56
			Natural Gas	47
GS/15... GB/15...	Single-Deck	90,000	Propane	56
			Natural Gas	47
GS/25... GB/25...	Double-Deck	180,000	Propane	56
			Natural Gas	47

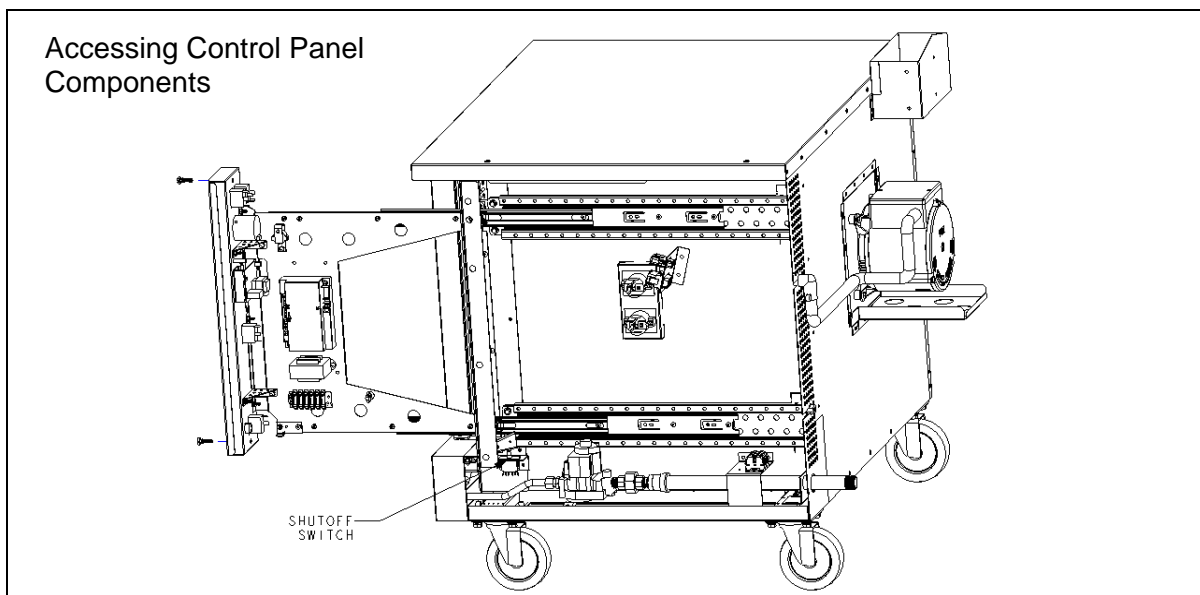
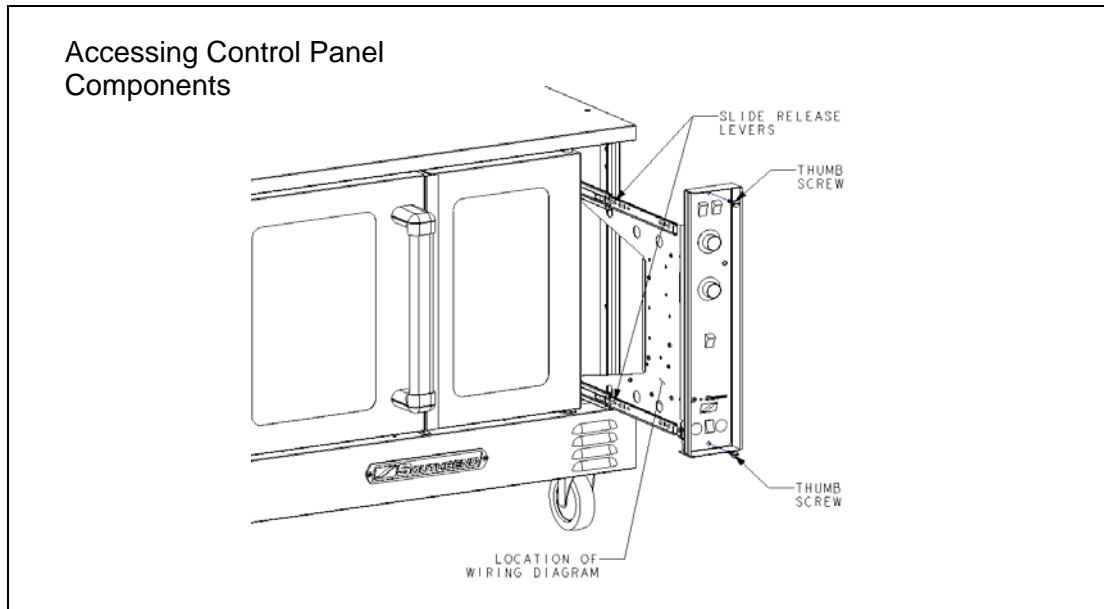
INFORMATION



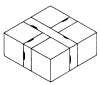
CONTROL PANEL ACCESS AND SHUT-OFF SWITCH

To access the control panel components, remove the two thumbs screws at the top and bottom of the control panel and slide the control panel out (see 1ST picture). A wiring diagram for the oven is located on the side of the control panel assembly. **When the control panel is slid out, all power to the control panel is cut off by a shut down switch that is located directly inside the opening and below the control panel** (see 2ND picture). To re-energize the controls for troubleshooting, pull the plunger on the shut down switch up.

To fully remove Control Panel, disconnect temp probe wires and harness connectors prior to pulling up on slide release levers and removing.



INFORMATION



PARTS

NOTICE

INSTALLATION OF OTHER THAN GENUINE SOUTHBEND PARTS WILL VOID THE WARRANTY ON THIS EQUIPMENT.

The serial plate with voltage, model, and serial information is located inside the lower front panel of the oven.

Replacement parts may be ordered either through a Southbend Authorized Parts Distributor or a Southbend Authorized Service Agency. It is recommended to verify part numbers with a Southbend Authorized Parts Supplier or the Southbend Parts/Service Dept. prior to ordering parts.

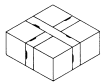
When ordering parts, you will need to supply the Model Number, Serial Number, Part Number, Description, Finish, and Electrical Characteristics as applicable to the unit.

For parts not listed, contact a Southbend Authorized Parts Distributor or Southbend Authorized Service Agency. You can find an Authorized Parts Distributor or Service Agency in your area by going to www.southbendnc.com/service.html. If this information is not available, contact the Parts/Service Dept. at Southbend to obtain specific part availability and information.

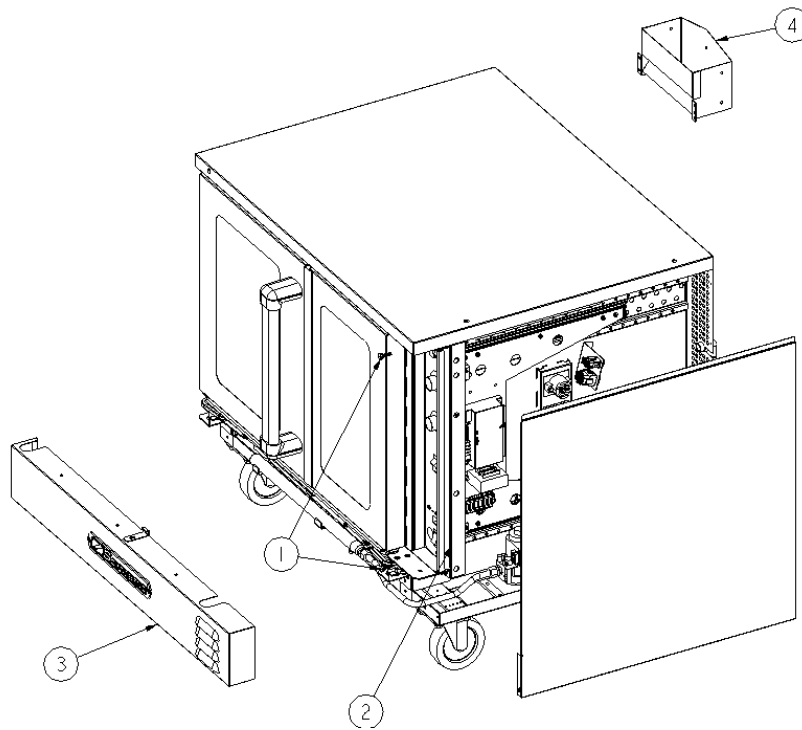
Index of Parts Diagrams

Page Number	Description
7	Front Panel and Flue Parts
8	Door Parts
9	Door Chain Mechanism Parts
10	Control Panel Parts for Models with Standard Controls
12	Control Panel Parts for Models with Cycle/Cook and Hold Controls
14	Internal Gas Supply and Slide Mount Parts
15	Burner Compartment Parts
16	Oven Interior ,Lights and Fan Motor Parts
17	Leg Parts for Single-Deck Models
18	Storage Rack Parts
19	Double-Deck Oven Stacking Parts
20	Leg Parts for Double-Deck Ovens

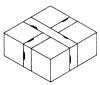




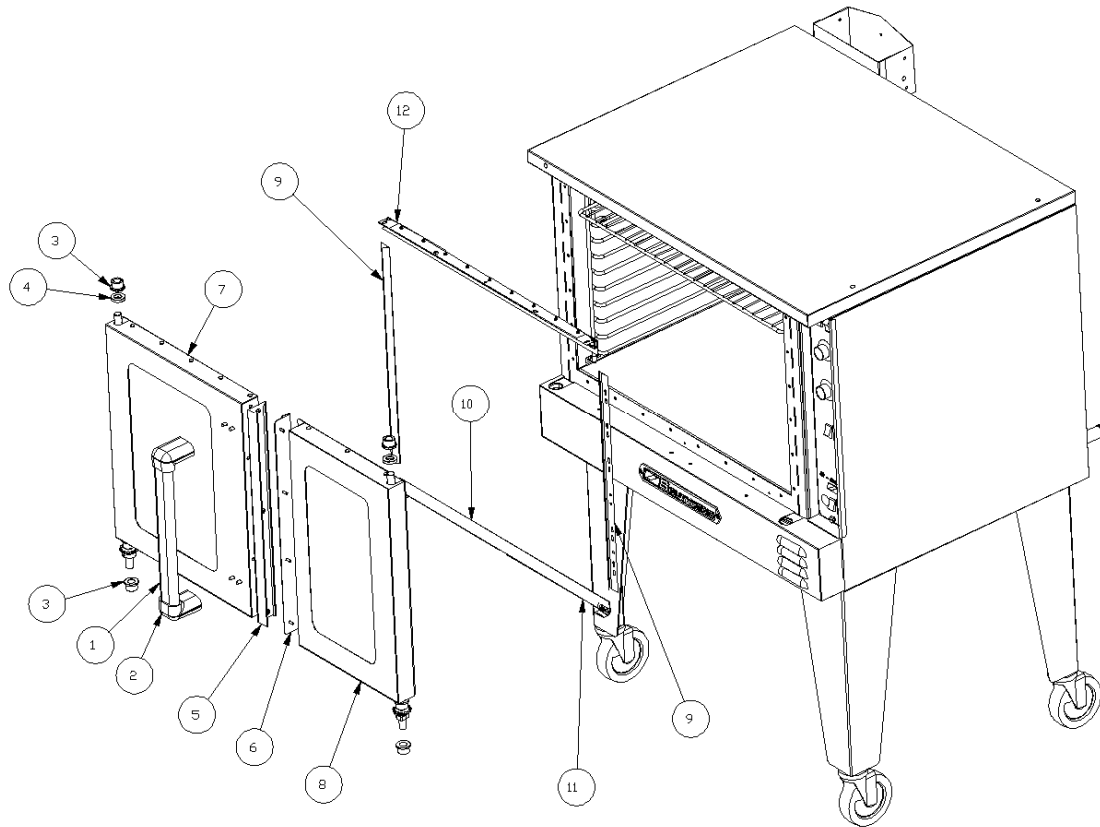
Front Panel and Flue Parts



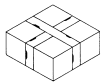
Key	Part Number	Qty	Description
1	1179703	2	Thumbscrew for control panel
2	1197799	1	Control Panel Sealing Plate Assembly
3	1177867	1	Panel, front louver, co
4	1181838	1	Flue box, w/a, co
*	4440502	1	Down draft diverter kit
* not shown on drawing.			



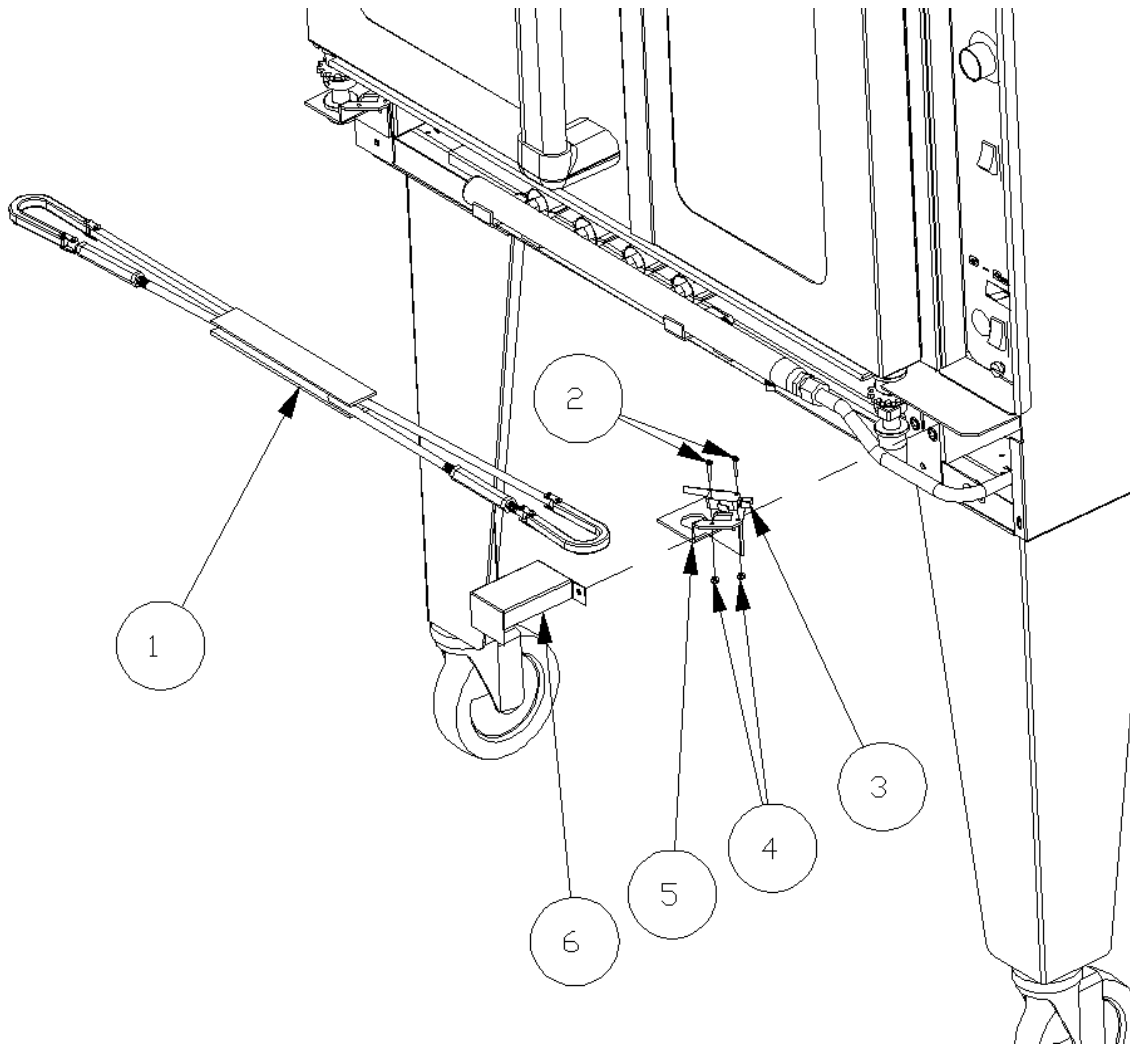
Door Parts



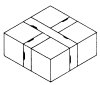
Key	Part Number	Qty	Description
1	1197269	1	Handle (part of left door assembly)
2	1197282	2	End Cap (part of left door assembly)
3	1164527	4	Bushing, bronze
4	1164547	2	Spacer, Door shaft
5	1197537	1	Center door seal, left door
6	1197526	1	Center strike plate, right door
	1197538	1	Center door seal, right door
7	1198056	1	Door assembly, left, window, CO
	1197732	1	Door assembly, left, solid, CO
8	1198057	1	Door assembly, right, window, CO
	1197736	1	Door assembly, right, solid, CO
9	1191438	2	Door seal, left & right, CO
10	1191444	1	Door seal, bottom, metal, CO
11	1197506	1	Door seal assembly, bottom, CO
12	1197502	1	Door seal assembly, top, CO



Door Chain Mechanism Parts

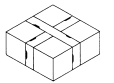


Key	Part Number	Qty	Description
1	1195493	1	Door Chain assembly
2	1172326	2	Screw, #4-40 x 3/4, zinc plated
3	1177567	1	Switch, door, spdt, 15 amp
4	1172327	2	Nut #4-40, zinc plated, hex
5	1199749	2	Bracket, door switch
6	1197886	1	Shield, Switch Cover

**Control Panel Parts for Models with Standard Controls (SC Models)**

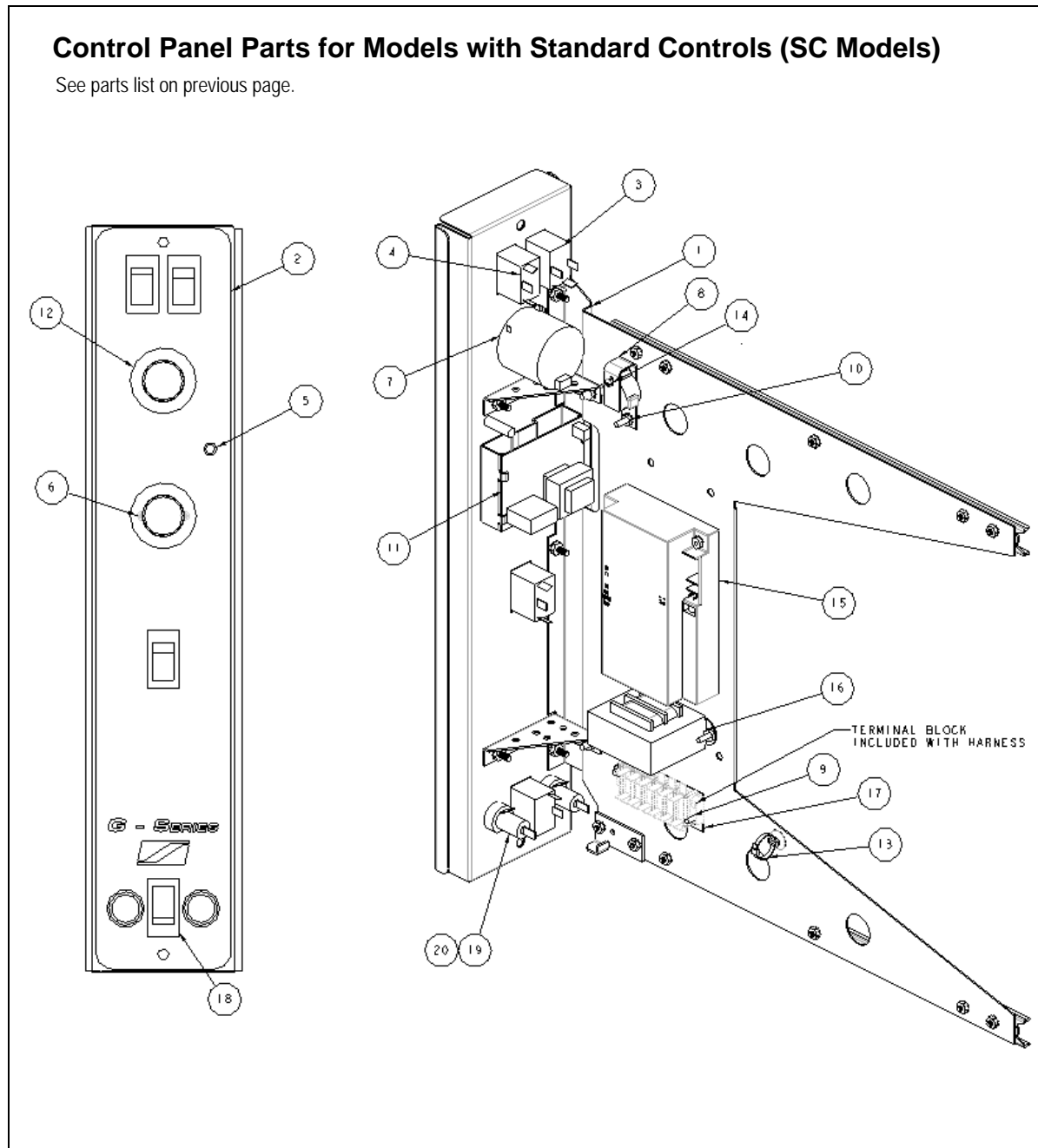
See drawing on following page.

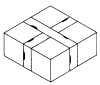
Key	Part Number	Qty	Description
-	1198016	1	Control panel assembly, SC, 60Hz, G-Series, 120V (assembled, w/o wiring harness)
-	1198030	1	Control panel assembly, SC, 60Hz, G-Series, 208/240V (assembled, w/o wiring harness)
-	1198017	1	Control panel assembly, SC, 60Hz, SL-Series, 120V, w/lights (assembled, w/o wiring harness)
-	1198018	1	Control panel assembly, SC, 60Hz, SL-Series, 120V, w/o lights (assembled, w/o wiring harness)
-	1198031	1	Control panel assembly, SC, 60Hz, SL-Series, 208/240V, w/lights (assembled, w/o wiring harness)
-	1198032	1	Control panel assembly, SC, 60Hz, SL-Series, 208/240V, w/o lights (assembled, w/o wiring harness)
-	1198008	1	Control panel assembly, SC, 60Hz, B-Series, 120V, w/lights (assembled, w/o wiring harness)
-	1198009	1	Control panel assembly, SC, 60Hz, B-Series, 120V, w/o lights (assembled, w/o wiring harness)
-	1198019	1	Control panel assembly, SC, 50Hz, SL-Series, 208/240V, w/lights (assembled, w/o wiring harness)
-	1198033	1	Control panel assembly, SC, 50Hz, SL-Series, 208/240V, w/o lights (assembled, w/o wiring harness)
*	1179591	1	Wiring harness, SC, 120V (includes terminal block 1170335)
*	1179592	1	Wiring harness, SC, 208/240V (includes terminal block 1170335)
1	1197782	1	Frame Assembly, Std., Slide
2	1197577	1	Polypanel, G-Series
	1197801	1	Polypanel, SL-Series
	1197802	1	Polypanel, B-Series
3	1177541	1	Power rocker switch-DPST- (on-off)
4	1177540	2	Fan rocker switch-SPDT (on-on)
5	1177565	1	Light, (amber) 24V
	1170350	1	Light, (amber) 240V
6	6600334	2	Screw, 6-32, 3/8, Self-tapping
7	1175670	1	Timer, motorized, 120V, 60Hz
	1176416	1	Timer, motorized, 240V, 60Hz
	1176436	1	Timer, motorized, 240V, 50Hz
8	1175707	1	Buzzer, adjustable, 120VAC
	1175708	1	Buzzer, adjustable, 240VAC
9	1146397	7	Screw 8-32 x 5/8 s/steel pan head
10	2001347	8	Locknut 8-32
11	1181998	1	Temperature control board/analog potentiometer
12	1170337	2	Knob for temperature control bd. and timer
13	1198084	1	Push Mount Wire Tie
14	1146319	2	Screw 6-32 x 1/2 Round hd
15	1175723	1	Ignition Control Module
16	1172277	1	Transformer, 120/208/240-24
17	1170335	1	Terminal block (supplied w/harness)
18	1170336	1	Marker strip
19	1177789	1	Rocker switch-SPST momentary (for models with the oven light option)
	1177642	1	Plug, square (for models without the oven light option)
20	1177564	2	Plug, round (120V models)
	1170424	2	Fuse holder (208/240V models)
21	1170425	2	Fuse, 12 amp #LP-CC-12 low peak (208/240V models only)
*	1181996	1	Temperature probe
* not shown on drawing.			



Control Panel Parts for Models with Standard Controls (SC Models)

See parts list on previous page.





Control Panel Parts for Cycle/Cook and Hold Models (CCH Models)

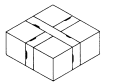
(G & SL-Series ONLY)

See drawing on following page.

Key	Part Number	Qty	Description
-	1197792	1	Control panel assembly, CCH, 60Hz, G-Series, 120V (assembled, w/o wiring harness)
-	1197795	1	Control panel assembly, CCH, 60Hz, G-Series, 208/240V (assembled, w/o wiring harness)
-	1197793	1	Control panel assembly, CCH, 60Hz, SL-Series, 120V, w/lights (assembled, w/o wiring harness)
-	1197794	1	Control panel assembly, CCH, 60Hz, SL-Series, 120V, w/o lights (assembled, w/o wiring harness)
-	1197796	1	Control panel assembly, CCH, 60Hz, SL-Series, 208/240V, w/lights (assembled, w/o wiring harness)
-	1197797	1	Control panel assembly, CCH, 60Hz, SL-Series, 208/240V, w/o lights (assembled, w/o wiring harness)
*	1180482?	1	Wiring harness, CCH, 120V (includes terminal block 1170335)
*	1180483?	1	Wiring harness, CCH, 208/240V (includes terminal block 1170335)
1	1197783	1	Frame Assy, Slide, CCH
2	1197803	1	Polypanel, CCH, G-Series
	1187804	1	Polypanel, CCH, SL-Series
3	1177541	1	Power rocker switch-DPST- (on-off)
4	1177540	2	Fan rocker switch-SPDT (on-on)
5	1180402	1	Relay, 120V
	1180499	1	Relay, 208/240V
6	2001347	8	Locknut, #8-32
7	1146397	8	Screw, #8-32x5/8 pan head
8	1180404	4	Spacer, control
9	1146400	4	Nut, #6-32 hex
10	1180407	1	Control, CCH
11	1175723	1	Ignition Control Module
12	1172277	1	Transformer, 120/208/240-24V
*	1170335	1	Terminal block
13	1198084	1	Wire Tie, Push mount
14	1170336	1	Marker strip
15	1177789	1	Rocker switch-SPST momentary (for models with the oven light option)
	1177642	1	Plug, square (for models without the oven light option)
16	1177564	2	Plug, round (120V models)
	1170424	2	Fuse holder (208/240V models)
17	1170425	2	Fuse, 12 amp #LP-CC-12 low peak (208/240V models only)
*	1181996	1	Temperature probe

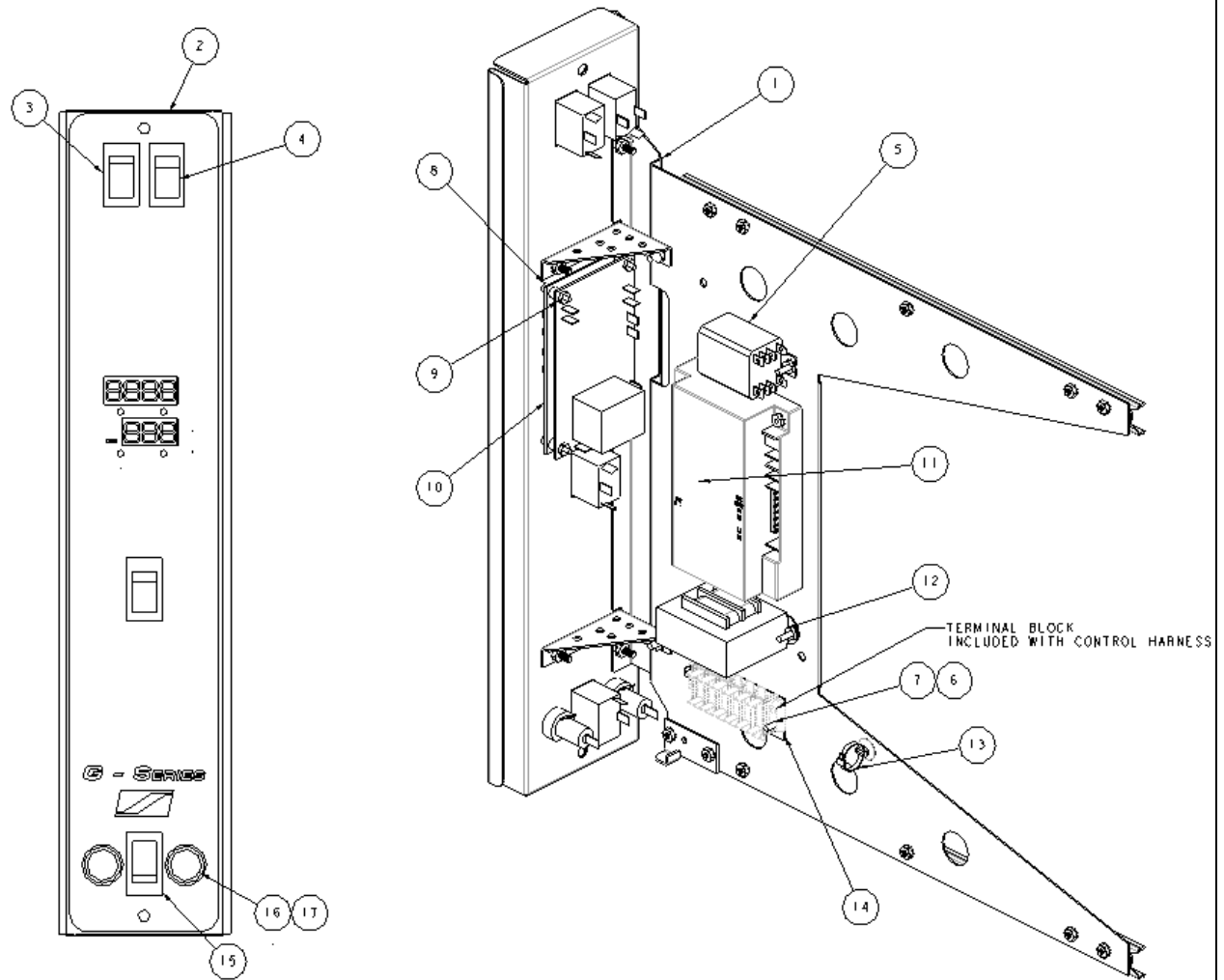
* not shown on drawing.

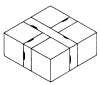




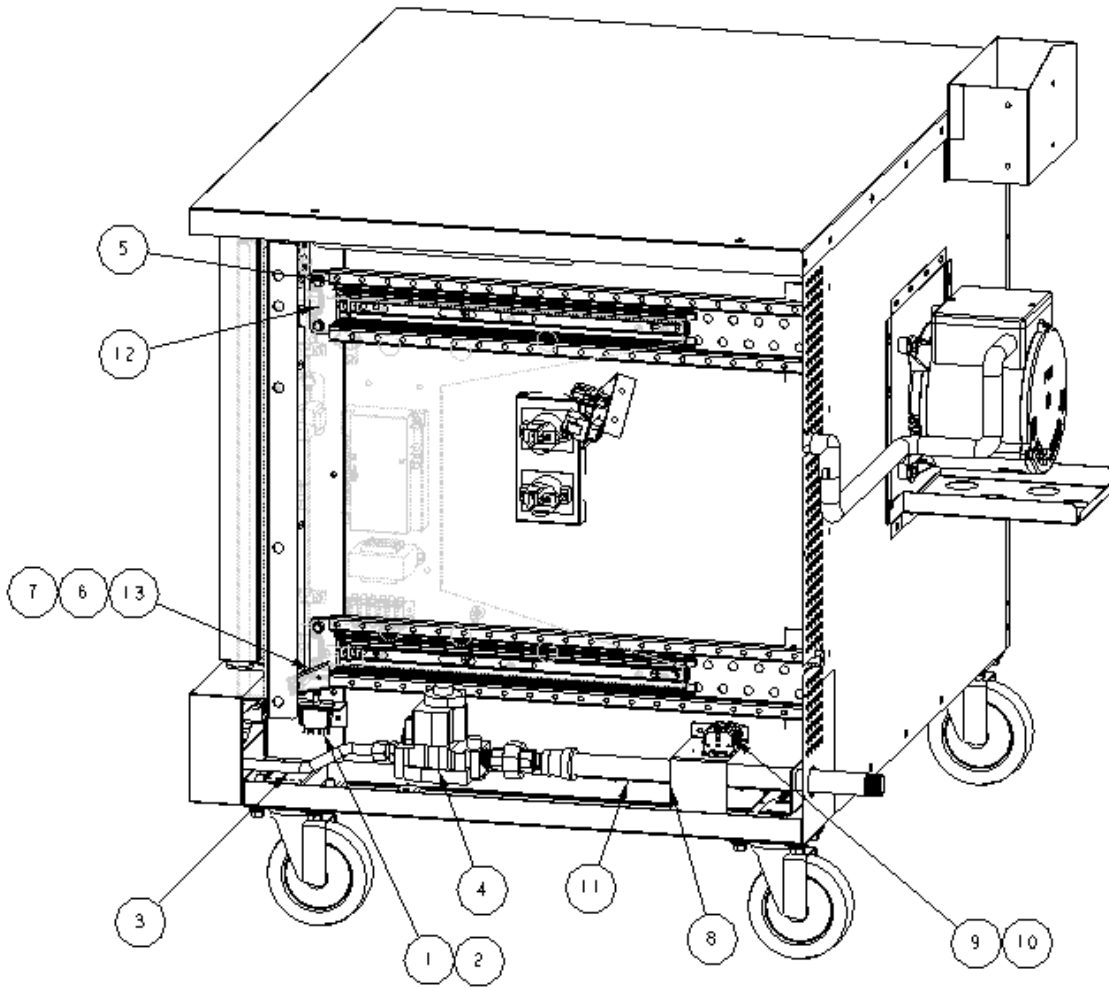
Control Panel Parts for Cycle/Cook and Hold Models (CCH Models)

See parts list on previous page.

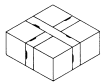




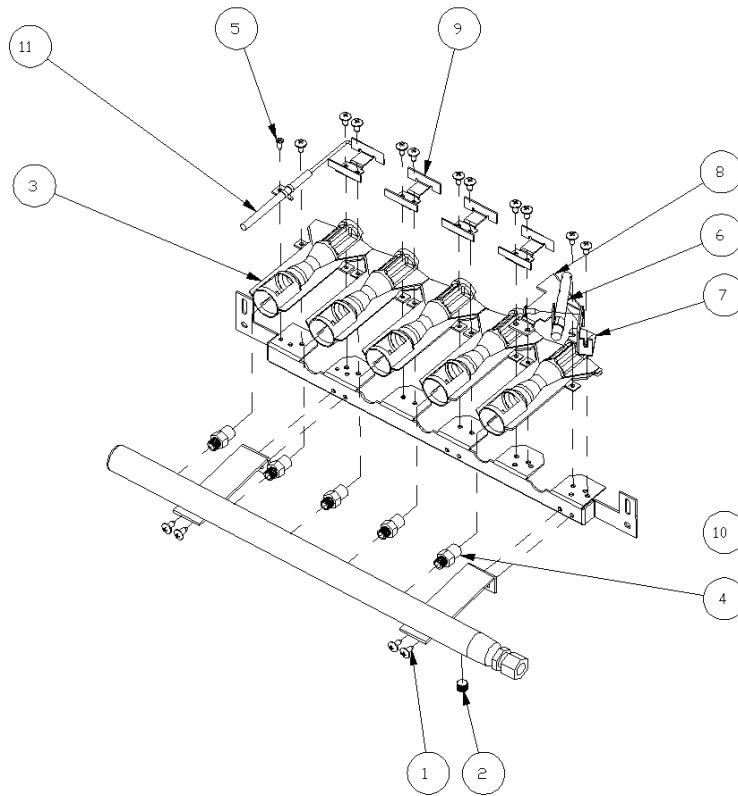
Internal Gas Supply and Slide Mount Parts



Key	Part Number	Qty	Description
1	1177566	1	Switch, shutdown, SPDT, 15 amp
2	1197586	1	Bracket, shutdown switch mtg.
3	1181934	1	Tube, gas supply, gas, co
4	1175016	1	Valve, nat gas, g-co
	1175375	1	Valve, propane gas, g-co
5	1197805	2	Slide mounting assembly (std depth)
	1197806	2	Slide mounting assembly (bakery depth)
*	1197808	2 PR	Drawer Slide (supplied with Slide mntg. assy)
6	1198006	1	Spacer, Pivot
7	1198004	1	Shoulder Bolt, 5/16 shaft, 1/4-20 thread
8	1197451	1	Plate, Term block mounting
9	PE-023	2	Term block end
10	PE-024	1	Term block end
11	1191871	1	Pipe W/A, gas
12	1197777	2	Shim, Slide Support
13	1197756	1	Closure bracket, S/O Switch



Burner Compartment Parts



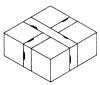
Key	Part Number	Qty	Description
1	1146304	16	Screw, #10x1/2 Phil Truss Head
2	1147014	1	Plug, Pipe, Flush, 1/8"
3	1175143	*	Inshot burner, 2 3/4 center
4	1176032	*	Hood, fitting, orifice, #47, nat
	1195077	*	Hood, fitting, orifice, #56, prop
5	1176839	1	Screw, #8-15 1/2 Mod Rd Phil
6	1183200	1	Igniter, Hot Surface
7	1189057	1	Clip, Ignition Alignment
8	1194600	1	Bracket, burner, carry over
9	1194601	**	Deflector, air
10	1194680	1	Burner Assembly, G-Series
	1194604	1	Burner Assembly, SL-Series
	1194681	1	Burner Assembly, B-Series
11	1195448	1	Flame sensor
***	1181934	1	Tube, gas supply, gas, co

* One for each burner:

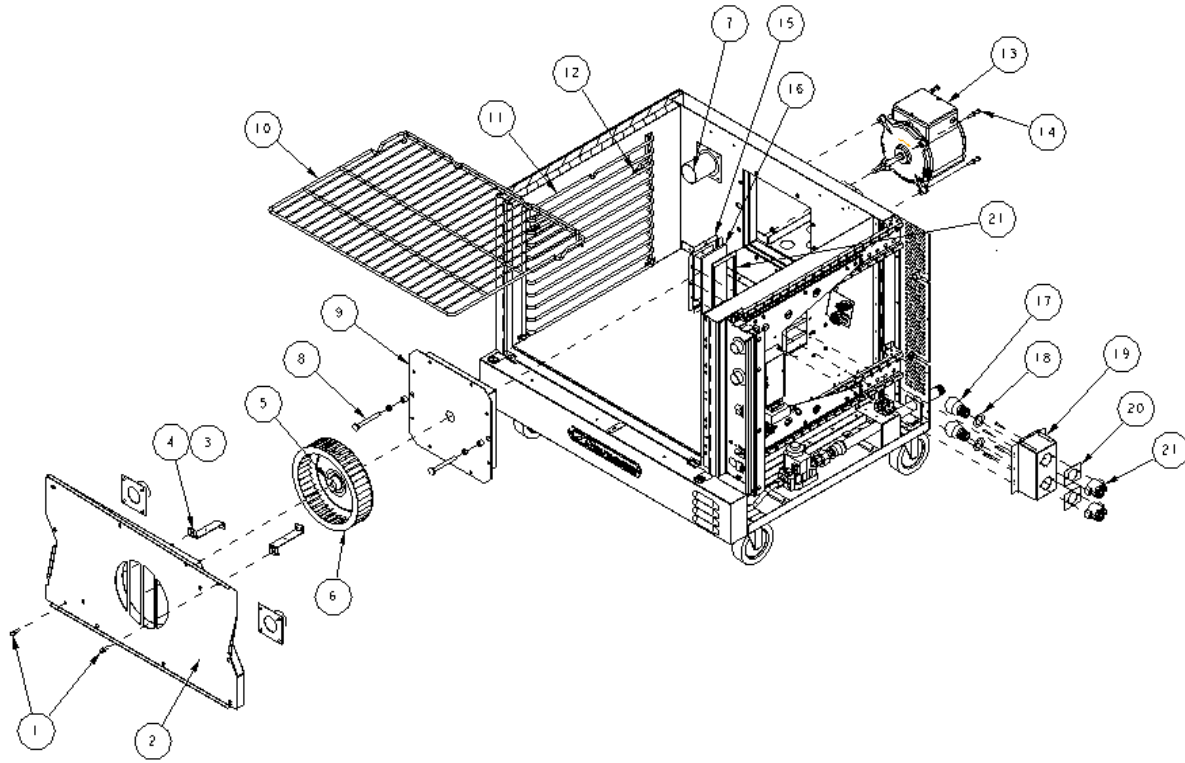
- **Model GS/15 has 5.**
- **Model GB/15 has 5.**
- **Model SLGS/19 has 5.**
- **Model SLGB/19 has 5.**
- **Model SLGS/12 has 4.**
- **Model SLGB/12 has 4.**
- **Models BGS/12SC has 3.**

** One less than the number of burners.

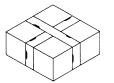
*** Not Depicted



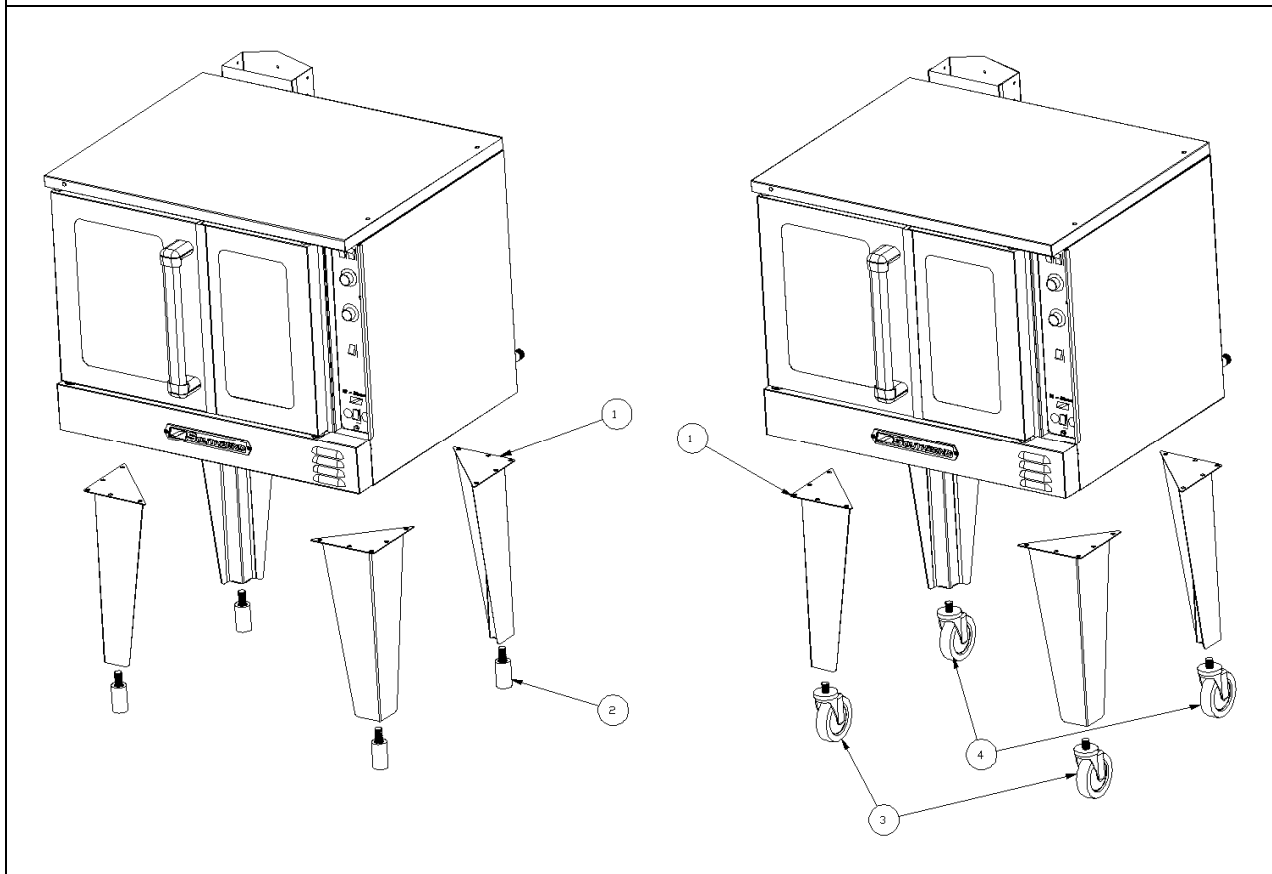
Oven Interior, Lights and Fan Motor Parts



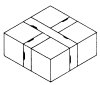
Key	Part Number	Qty	Description
1	1160289	2	Thumb screw 1/4-20 x 3/4
2	1199705	1	Baffle, air. s/a, enamel (Shallow depth)
	1199707	1	Baffle, air. s/a, enamel (Bakery depth)
3	1166819	2	Nut, 1/4 x 20, speed
4	1175572	2	Bracket, baffle, ctg, G-series
5	1179100	1	Puller disk
6	1175196	1	Blower wheel single with puller disk
7	1199542	2	Tube asm. outer combustion
8	1175146	2	Bolt, carriage, 3/8 x 3.5", ss
9	1175695	1	Pocket weld asm. blower motor
10	1189821	5	Rack, oven, shallow, mg
	1189860	5	Rack, oven, bakery, mg
11	1189820	2	Rack guide, 11 pos, shallow
	1189822	2	Rack guide, 11 pos, bakery
12	6660	8	Clip, side rack support
13	1194780	1	Motor, 2sp, 120V, 50/60 cycle
	1194781	1	Motor, 2sp, 240V, 50/60 cycle
14	1146264	4	Bolt, 1/4-20 x 2
15	1197728	1	Retainer, glass, co
16	1181807	1	Glass, bulb cover, co
17	1160009	2	Bulb, oven light, 40 watt, clear
18	P6497	2	Gasket, Teflon, white
19	1181805	1	Light box, CO
20	1160032	2	Gasket, light socket, .062 ga
21	1197730	1	Seal, Light Box



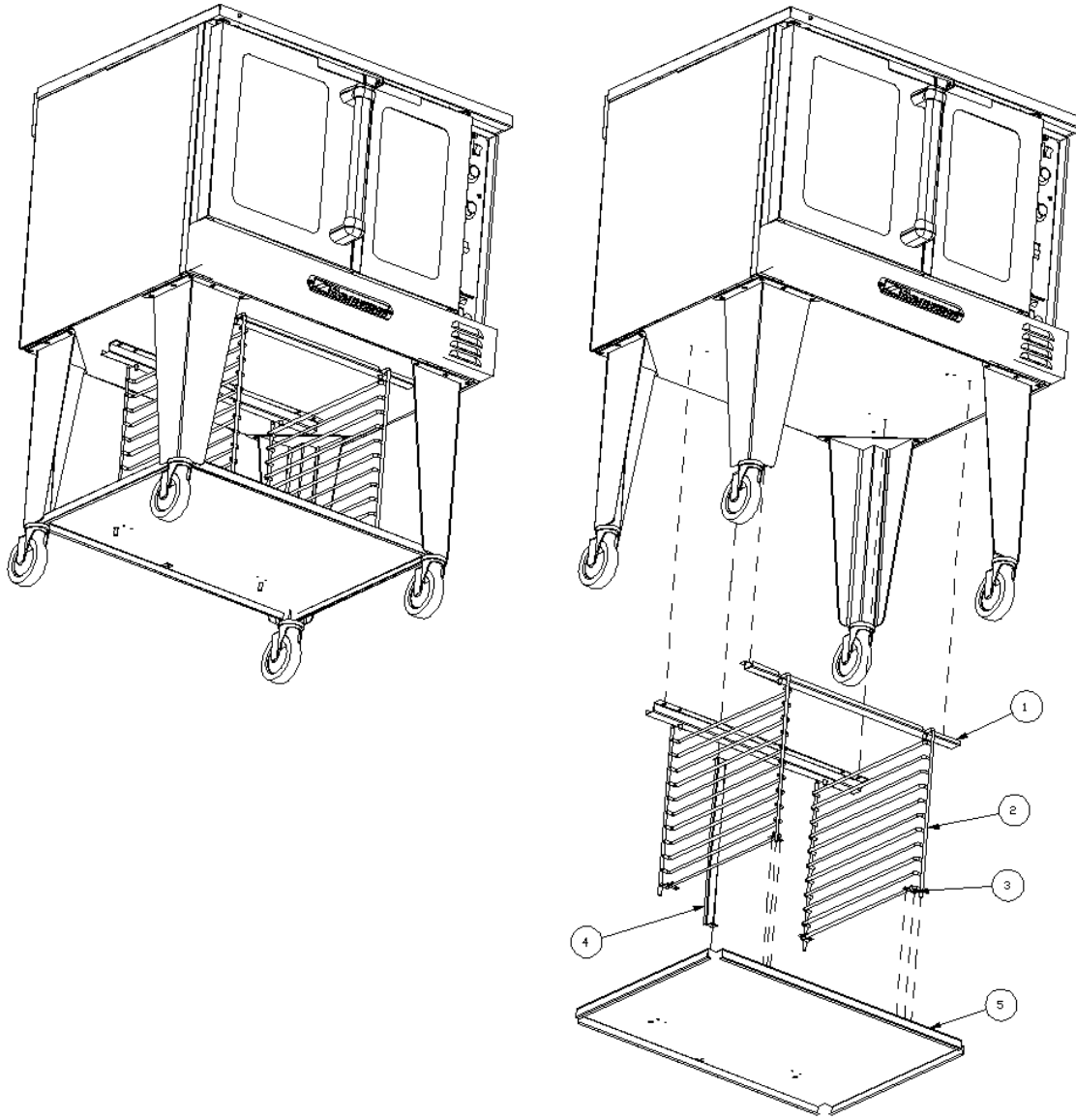
Leg Parts for Single-Deck Models



Key	Part Number	Qty	Description
1	1184005	4	Single deck leg (for legs with feet or casters)
2	1174266	4	Adjustable foot for leg
*	1173584	4	Flanged foot (optional replacement for adjustable foot 1174266)
3	1174264	2	Caster with brake
4	1174263	2	Caster without brake
*	1174265	1	Set of four casters (two with brake, two without brake)
*	1146213	20	3/8 x 16 x 1 hex head bolt
*	1146513	20	3/8 lock washer
*	1146522	20	3/8 flat washer
* not shown on drawing.			

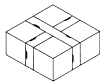


Storage Rack Parts

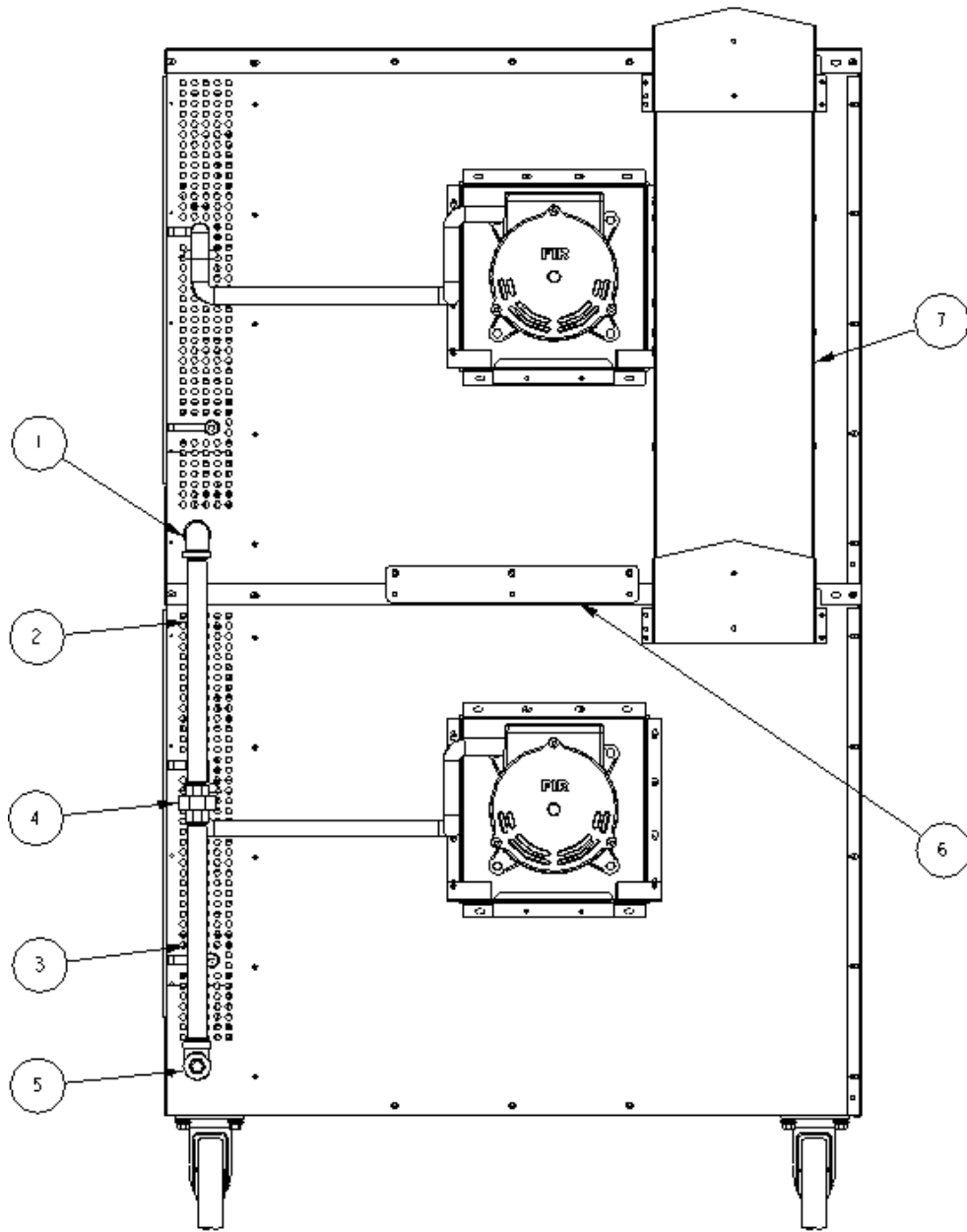


Key	Part Number	Qty	Description
-	1184044	1	Cooling pan kit, with shelf, bakery depth
-	1184046	1	Cooling pan kit, with shelf, shallow depth
1	1184022	2	Rack hanger, G/E ser co
2	1175438	2	Rack guide, 11 pos. shallow
	1175439	2	Rack guide, 11 pos. bakery
3	6660	8	Clip, side rack support
4	1184025	1	Stop channel
5	1184019	1	Shelf, open rack, shallow
	1184023	1	Shelf, open rack, bakery
*	1146304	18	10 x 1/2 Phillips screw

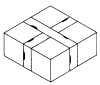
* not shown on drawing.



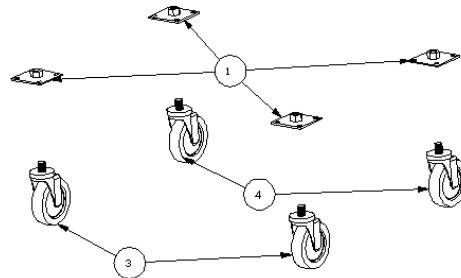
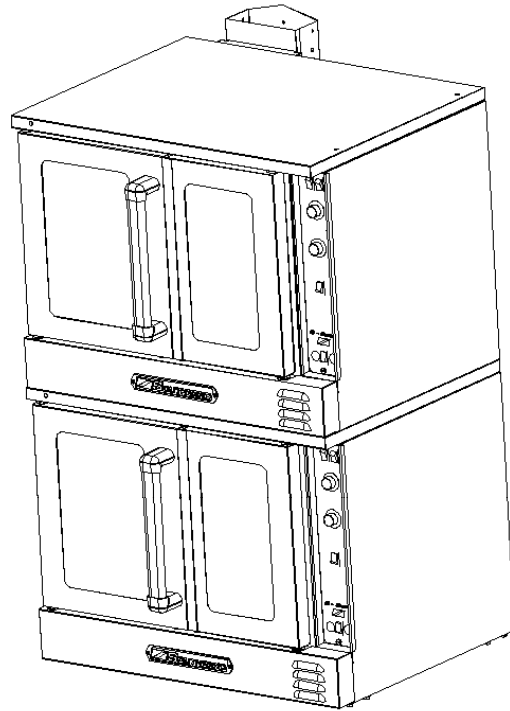
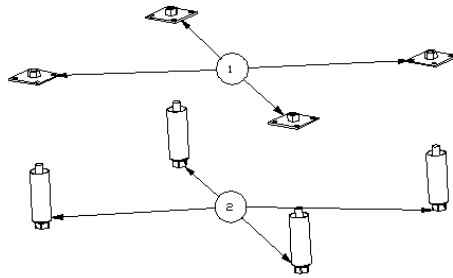
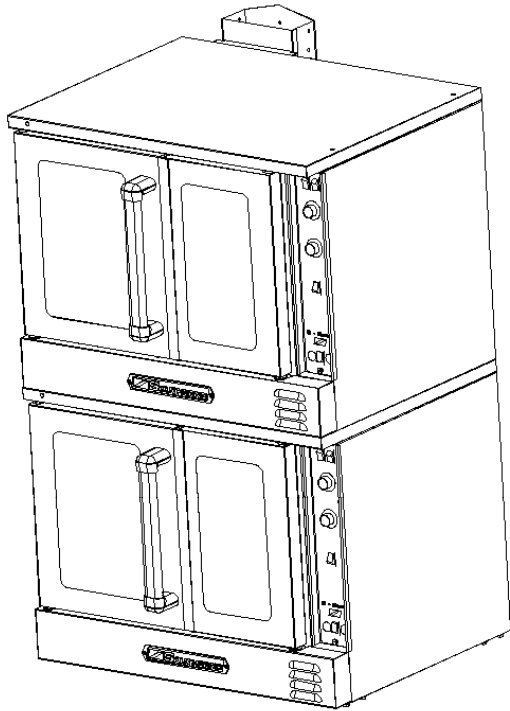
Double-Deck Oven Stacking Parts



Key	Part Number	Qty	Description
1	1146904	1	3/4" elbow
2	1175149	2	3/4" x 13-1/8" pipe
3	9839	2	3/4" x 13-5/8" pipe
4	P-5239-5	1	3/4" union
5	1147304	1	3/4" tee pipe
6	1175085	1	Tie bracket
7	1181840	1	Flue box
*	1146213	2	Bolts
* not shown on drawing.			



Leg Parts for Double-Deck Ovens



Key	Part Number	Qty	Description
1	1172788	4	Leg pad
2	1174259	4	SS leg, 3/4" stud
*	1174260	1	Stainless leg package (set of four legs only)
	1178205	1	Black leg package (set of four legs only)
	1174262	1	Earthquake legs (set of four legs only)
3	1174264	2	Caster with brake
4	1174263	2	Caster without brake
*	1174265	1	Set of four casters (two with brake, two without brake)
*	1146213	16	3/8 x 16 x 1 hex head bolt
*	1146513	16	3/8 lock washer
*	1146522	16	3/8 flat washer
* not shown on drawing.			

FULL SIZE GAS CONVECTION OVENS

User & Maintenance Notes:



PARTS MANUAL

G, SL & B-SERIES GAS CONVECTION OVENS



Commercial Food Equipment Service Association



A product with the Southbend name incorporates the best in durability and low maintenance. We all recognize, however, that replacement parts and occasional professional service may be necessary to extend the useful life of this unit. When service is needed, contact a Southbend Authorized Service Agency, or your dealer. To avoid confusion, always refer to the model number, serial number, and type of your unit.

Southbend
1100 Old Honeycutt Road, Fuquay-Varina, NC 27526
www.southbendnc.com