



**Star  
Manufacturing  
International Inc.**

10 Sunnen Drive  
St. Louis, MO 63143

Phone: (314) 781-2777  
FAX: (314) 781-3636

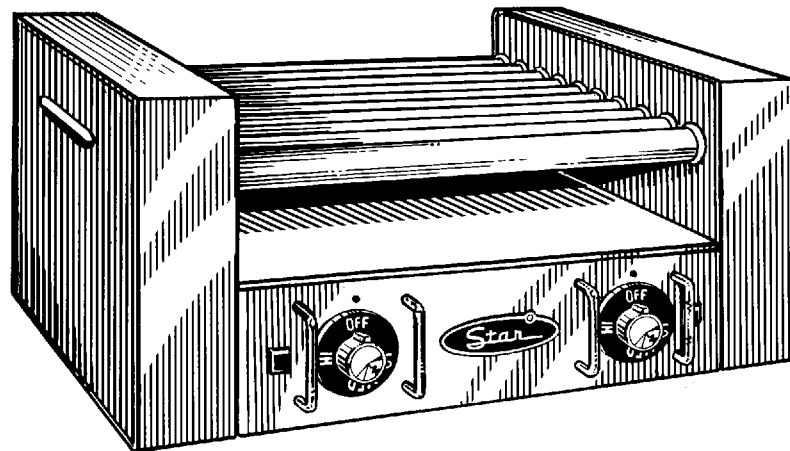
**Installation  
and  
Operating  
Instructions**

2M-Y4358 Rev. T 5-30-97

---

**HOT DOG CHROME ROLLER GRILL  
MODELS 12, 25, 25X, 40, 45, 45X and 75**

**HOT DOG SILVERSTONE ROLLER GRILL  
MODELS 12S, 25S, 25SX, 40S, 45S, 45SX and 75S**



Model 25





## CAUTION

This equipment is designed and sold for commercial use only by personnel trained and experienced in its operation and is not sold for consumer use in and around the home nor for use directly by the general public in food service locations. For equipment to be used by the general public, please contact the factory.

### INSTALLATION:

This grill is equipped for the voltage shown on the nameplate. It will operate on alternating current only, however, the correct voltage must be applied.



## CAUTION

### DO NOT CONNECT TO DIRECT CURRENT (DC).

Connection Load:

Model 12, 12S 120V	-610 Watts
Model 12, 12S 230CE-	- 530 Watts
Model 25, 25S, 25SX, 25X-	1196 Watts
Model 40, 40S	- 1636 Watts
Model 45, 45S, 45SX, 45X-	1696 Watts
Model 75, 75S	-2656 Watts

The grill should be connected to a wall type receptacle, a direct line or separate circuit. A direct line or separate circuit is preferred. If the grill is connected on a line already overloaded, it will not operate properly. When installed, the unit should be level. Optional 4 inch adjustable legs are available.

## GENERAL OPERATING PROCEDURES

For flexibility, all models of roller grills, excluding the 12, are divided into two independently controlled heat sections. The right control knob controls the rear cooking section and the left control knob controls the front cooking section. The 12 and 12S grills have only one heating section.

A signal light is provided next to each control knob to give a visual check if one or both sections are turned on.

Each section is controlled by means of a rotary switch with positions marked at OFF-HIGH-MEDIUM and LOW. On MEDIUM for all models except the 12 and 12S 230CE, it is normal for every other roller to be unheated. The 12 and 12S 230CE uses an infinite control which varies heat on all rollers.

Before cooking for the first time, wash all rollers with mild detergent solution and then wipe with a clean wet cloth.

Hot dogs should be kept refrigerated until ready for use. Always use hot dogs or sausages made for grilling.

NSF requires that perishable foods be kept at 140° F or above during serving periods. Do not keep hot dogs on the LOW setting for more than two hours. If held for more than two hours they must be transferred to HIGH or MEDIUM heated zone for cooking and serving.



## CAUTION

**USE ONLY PLASTIC OR COATED UTENSILS FOR HANDLING THE HOT DOGS. METAL WILL SCRATCH THE ROLLERS. WHEN COOKING, DO NOT TRANSFER HOT DOGS FROM HIGH TO LOW AS THEY MAY SHRINK. DO NOT OPERATE GRILL WITHOUT GREASE PAN IN PLACE.**

Cooking time will vary depending on starting temperature and quality of the product. For best results follow the cooking systems shown below.

1. Busy periods - Set both controls on HIGH and fill to capacity.
2. Medium periods - Set control to HIGH to cook hot dogs. Reduce heat to MEDIUM as needed.
3. For all models except the I2 and I2S 230CE preheat hot dogs on LOW. Medium is used for preheating the I2 and I2S 230CE. Turn heat to HIGH for cooking as needed.

### **CLEANING:**

Remove all hot dogs. Turn control to HIGH and allow rollers to get hot. Clean rollers with a clean wet cloth. Wipe from the outside ends towards the center of the rollers. Do not force grease into the roller end bearings.

Turn the grill off and remove the grease tray by pulling forward on the front edge. Clean the entire unit daily to insure long life and satisfactory performance as well as to maintain an attractive appearance. The exterior should be kept bright and attractive by using a mild detergent or non-abrasive cleaner.



### **CAUTION**

**DO NOT USE SHARP EDGES ON SILVERSTONE COATING - SCRAPES WILL VOID THE WARRANTY. NEVER USE STEEL WOOL OR ABRASIVE CLEANERS TO CLEAN ROLLERS AS THIS WILL DAMAGE THE FINISH AND POSSIBLY DAMAGE THE BEARINGS.**

### **MAINTENANCE AND REPAIRS**

Contact the factory, a service representative or a local service company for service or required maintenance.

RETAIN THIS MANUAL FOR FUTURE REFERENCE  
PART NO. 2M-Y4358                      REV. S 4-24-97



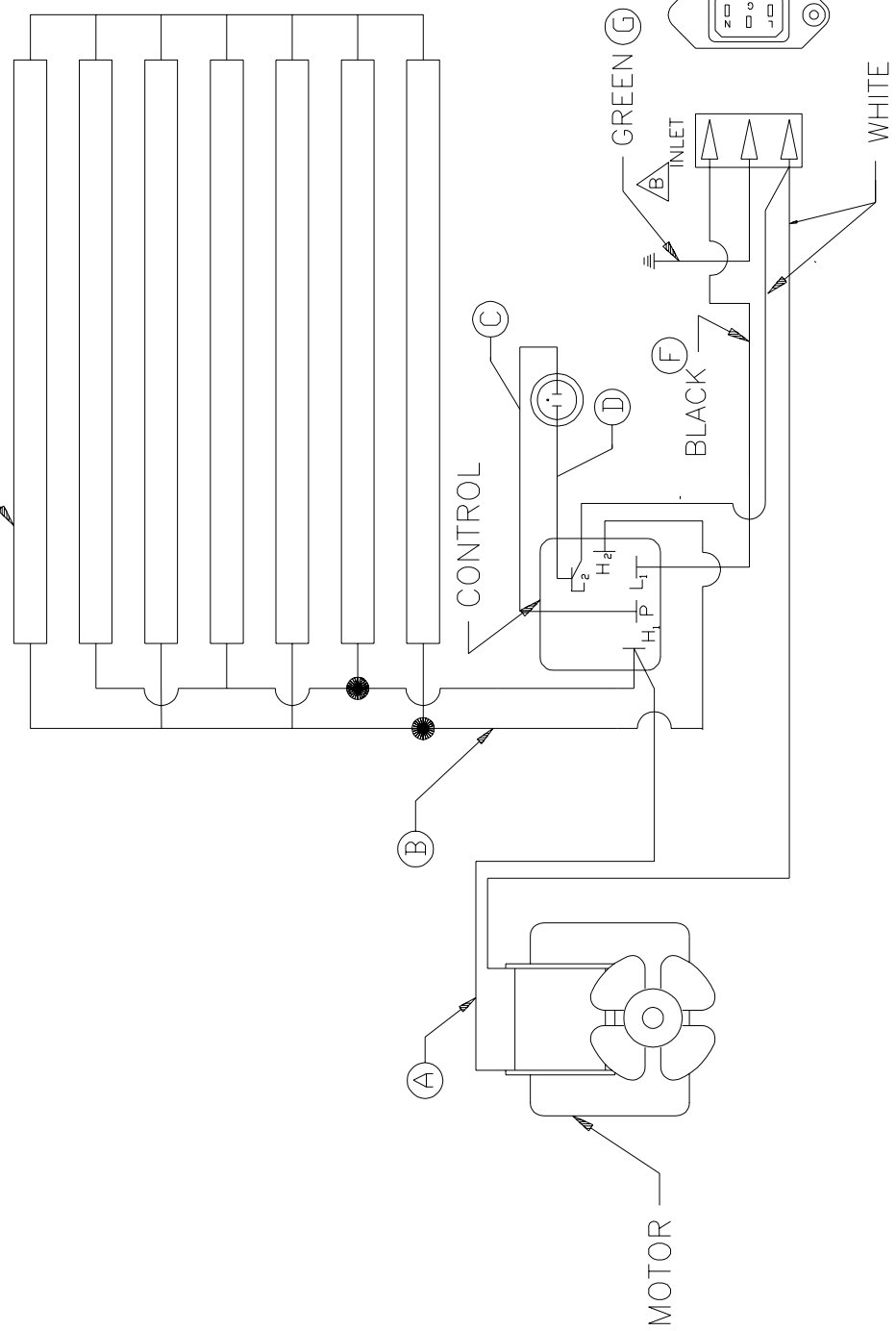
MATERIAL ~ FINISH ~ MODEL NO. 12S 230CE PART NO. SK1314

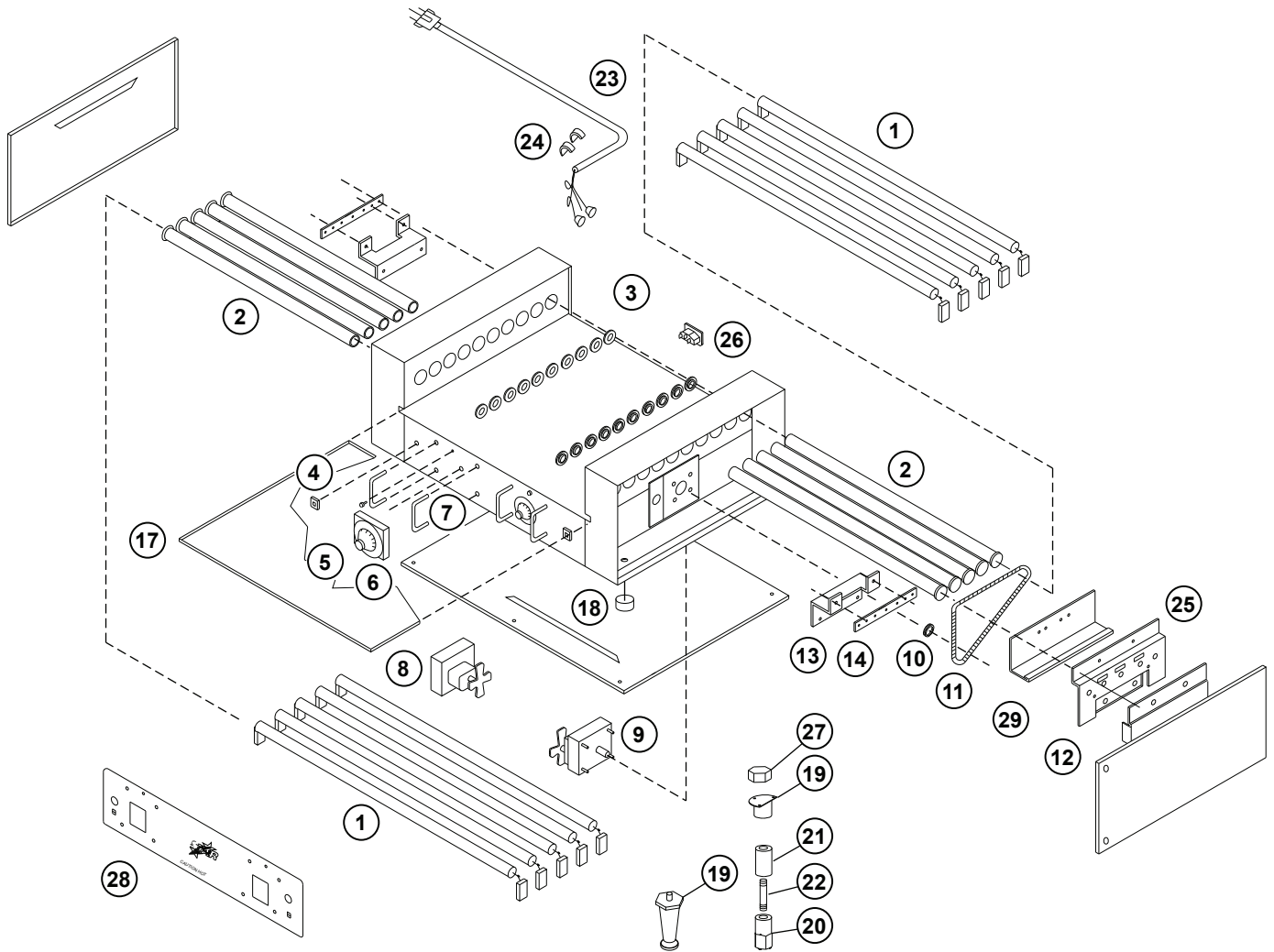
DR. SL CK. DATE 6-8-94 TITLE WIRE DIAGRAM  
 LIMITS UNLESS OTHERWISE NOTED  
 FRACTIONS ± 1/64 DECIMALS ± .005

CHANGES		LTR	DATE	CHANGE	DR
A	10-13-95	230CE	WAS	240VE	JS
B	10-25-95			RELOCATE GROUND AT INLET	SL

STAR MFG. INTERNATIONAL, INC.  
 9325 OLIVE BOULEVARD ST. LOUIS, MO 63132

HEATING ELEMENTS (7 REQ'D.)





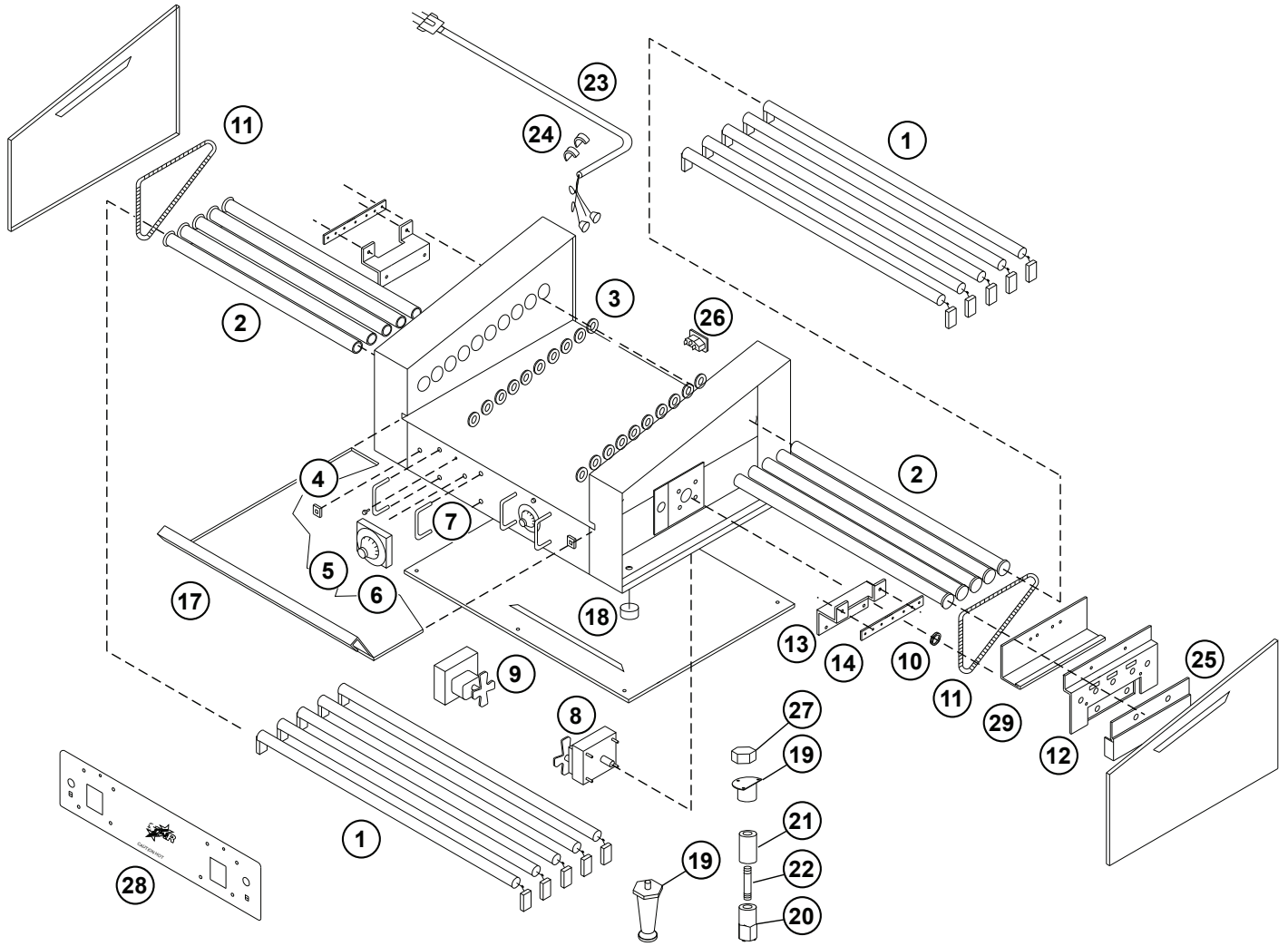
MODEL 12/25/40/45/75

**STAR MANUFACTURING INTERNATIONAL, INC.**

SK1304

REV. E

4-24-97



MODEL 25SX,25X,45SX,45X

**STAR MANUFACTURING INTERNATIONAL, INC.**

SK1392

REV. C

5-30-97

# PARTS LIST

December 15, 2011

Grill-Max Roller Grills  
MODEL **Series 12, 25, 40, 45 and 75**

Key Number	Part Number	Number Per Unit	Description & Model Designation
1	2N-Y9947	7	ELEMENT 120V, 80W 12
	2N-Y9541	10/14	ELEMENT 120V, 110W 25/40
	2N-Y9946	10/14	ELEMENT 240V, 110W 25/40
	2N-Y9543	10	ELEMENT 120V, 160W 45
	2N-Y9945	10/16	ELEMENT 240V, 160W 45/75
2	A5-120102	7	ROLLER - CHROME PLATE (1.125" O.D.) 12
	PS-120145	7	ROLLER - PLASTECH 88 (1.125" O.D.) 12S
	PS-250008	10/14	ROLLER - CHROME PLATE (1.125" O.D.) 25/25X/40
	PS-250040	10/14	ROLLER - PLASTECH 88 (1.125" O.D.) 25S/25SX/40S
	PS-450005	10/16	ROLLER - CHROME PLATE (1.125" O.D.) 45/45X/75
	PS-450039	10/16	ROLLER - PLASTECH 88 (1.125" O.D.) 45S/45SX/75S
3	2P-Z0467	14/20	TUBE GUIDE ASSEMBLY 12/25,45/28/32 40/75
4	2J-Y6689	1/2	PILOT LIGHT 120V (ROUND) 12/25, 40, 45
	2J-8006	1/2	PILOT LIGHT 120V (SQUARE) 12/25, 40, 45
	2J-Y6690	2	PILOT LIGHT 240V 75
	2S-Y9225	1/2	PILOT LIGHT 230CE 12/25, 40, 45, 75
5	2R-9305	1/2	KNOB 12/25, 40, 45, 75
	2R-Y9829	1/2	KNOB 12 230CE, 240VE/40SI 230CE
	2R-Z0209	2	KNOB 25, 40, 45, 75 230CE
6	NLA	1/2	SWITCH 12/25, 40, 45, 75 120V/240V
	2E-Y9252	2	SWITCH 25, 40, 45, 75 230CE
	2J-Y9226	1/2	SWITCH, INFINITE CONTROL 12 230CE/40SI 230CE
7	2R-8229	2/4	KNOB SHIELD 12/25, 40, 45, 75
	2U-Y6685	1	MTR CW 120V, LEFT CONTROL 25/25S, 40/40S, 45/45S
8	2U-Z0746	1	MTR CW 240V LEFT CONTROL 25SX, 25X, 45SX, 45X75/75S
	2U-Y6686	1	MTR CCW 120V, RIGHT CONTROL 12/12S, 25/25S, 40/40S, 45/45S
9	2U-Z0745	1	MTR CCW 240V, RIGHT CONTROL 25SX, 25X, 45SX, 45X75/75S
	2P-Y4183	1/2	MOTOR SPROCKET 12/25, 40, 45, 75
10	2P-Y5502	1	CHAIN - SHORT (110 Links) 12
	2P-Y4321	2	CHAIN - SHORT (24 Links) 25, 45
	2P-Y6767	2	CHAIN (116 Links) 40
	2P-Y4322	2	CHAIN - LONG (128 Links) 75
	2P-Z0023	1	CHAIN-SHORT (94 Links) 25SX, 25X, 45SX, 45X
	2P-Z0024	1	CHAIN-LONG 25SX, 25X, 45SX, 45X
	PS-120160	1/2	CHAIN GUIDE ASSEMBLY (2 Stud Models Only) 12/40
11	PS-25RGRK	2	CHAIN GUIDE ASSEMBLY (2 Stud Models Only) 25, 45
	PS-750004	2	CHAIN GUIDE ASSEMBLY (2 Stud Models Only) 75
	A5-Z0670	1/2	CHAIN GUIDE 12/40 (4 Stud Models Only) after 6/97
	A5-Z0671	2	CHAIN GUIDE 25/45 (4 Stud Models Only) after 6/97
	A5-Z0672	2	CHAIN GUIDE 75 (4 Stud Models Only) after 6/97
12	A5-Z0667	1	ELEMENT MOUNT 12 12
	A5-Z0668	2	ELEMENT MOUNT 25/45 25, 45
	A5-Z0666	2	ELEMENT MOUNT 40 40
	A5-Z0669	2	ELEMENT MOUNT 75 75
13	A5-Y5482	1/2	TERMINAL BAR 7 12/40
	A5-Y4238	2	TERMINAL BAR 5 25, 45
	A5-Y4308	2	TERMINAL BAR 8 75
	2H-Y9229	4/8	MICA WASHER (USED ON ELMT MNT & 12/25, 40, 45/12 TERM. BAR 7, 5 & 8) 75
	2I-Y9228	2/4	INSULATOR-CERAMIC (USED ON ELMT MNT 12/25, 40, 45/6 TERM. BAR 7, 5 & 8) 75



# PARTS LIST

December 15, 2011

## Grill-Max Roller Grills

MODEL **Series 12, 25, 40, 45 and 75**

Key Number	Part Number	Number Per Unit	Description & Model Designation
17	A5-Y5484	1	DRIP TRAY 12
	A5-Y4248	1	DRIP TRAY 25
	A5-Y6769	1	DRIP TRAY 40
	A5-Y4249	1	DRIP TRAY 45
	A5-Y4250	1	DRIP TRAY 75
	A5-250032	1	DRIP TRAY ASSEMBLY 25SX, 25X
	A5-450030	1	DRIP TRAY ASSEMBLY 45SX, 45X
	2I-Z0057	4/6	FOOT 12, 25, 45/40, 40S
18	Z1-115006	4	FOOT HOUSING (# 75000452 & BELOW) 75
19	2R-Y5092	4	4" FOOT (# 75000453 & UP) 75
20	2A-7612	4	FOOT (# 75000452 & BELOW) 75
21	2A-9347	4	FOOT EXTENSION (# 75000452 & BELOW) 75
22	2C-9348	4	STUD (# 75000452 & BELOW) 75
23	E4-403009	1	LEAD IN CORD 120V 12, 25
	2E-Y9251	1	LEAD IN CORD 230CE 75 230CE
	C3-142023	1	LEAD IN CORD 120V 40, 45
	2E-Y4343	1	LEAD IN CORD 230CE 12, 25, 40, 45 230CE
	A1-175122	1	LEAD IN CORD 240V 75
	24	2K-7889	1
2K-Y3240		1	BUSHING - CORD 40, 45, 75
2C-Y4003		3	CABLE CLAMP 12, 25 <b>2M-Z0060</b>
25	A5-Y9497	1/2	WIRE GUIDE 12/40 230CE
	A5-Y9498	2	WIRE GUIDE 25, 45 230CE
	A5-Y9499	2	WIRE GUIDE 75 230CE
26	2E-Y9227	1	INLET 12, 25, 40, 45 230CE
	2E-Y9253	1	INLET 75 230CE
27	2C-Y9771	4	NUT, FOOT 75 230CE
28	2M-Z0022	1	LABEL-ROLLER GRILL ALL MODELS 12
	NLA	1	LABEL-ROLLER GRILL ALL MODELS 25,40
	2M-Z0060	1	LABEL-ROLLER GRILL ALL MODELS 45,75
29	A5-Z0673	1/2	TUBE-RETAINER (4 Stud Models Only) 12/40 <i>after 6/97</i>
	A5-Z0674	2	TUBE-RETAINER (4 Stud Models Only) 25/45 <i>after 6/97</i>
	A5-Z0675	2	TUBE-RETAINER (4 Stud Models Only) 75 <i>after 6/97</i>
NI	2I-H6579	4	MOTOR GROMMETS
NI	2A-Y4411	4	MOTOR MOUNT SPACERS
NI	A5-Y4239	1	MOTOR MOUNTING PLATE
NI	2P-Z0584	1	TONGS (NOT SHOWN)

**STAR MANUFACTURING**

10 Sunnen Drive, St. Louis, MO 63143 U.S.A.

(800) 807-9054 (314) 781-2777

Parts & Service (800) 807-9054

[www.star-mfg.com](http://www.star-mfg.com)