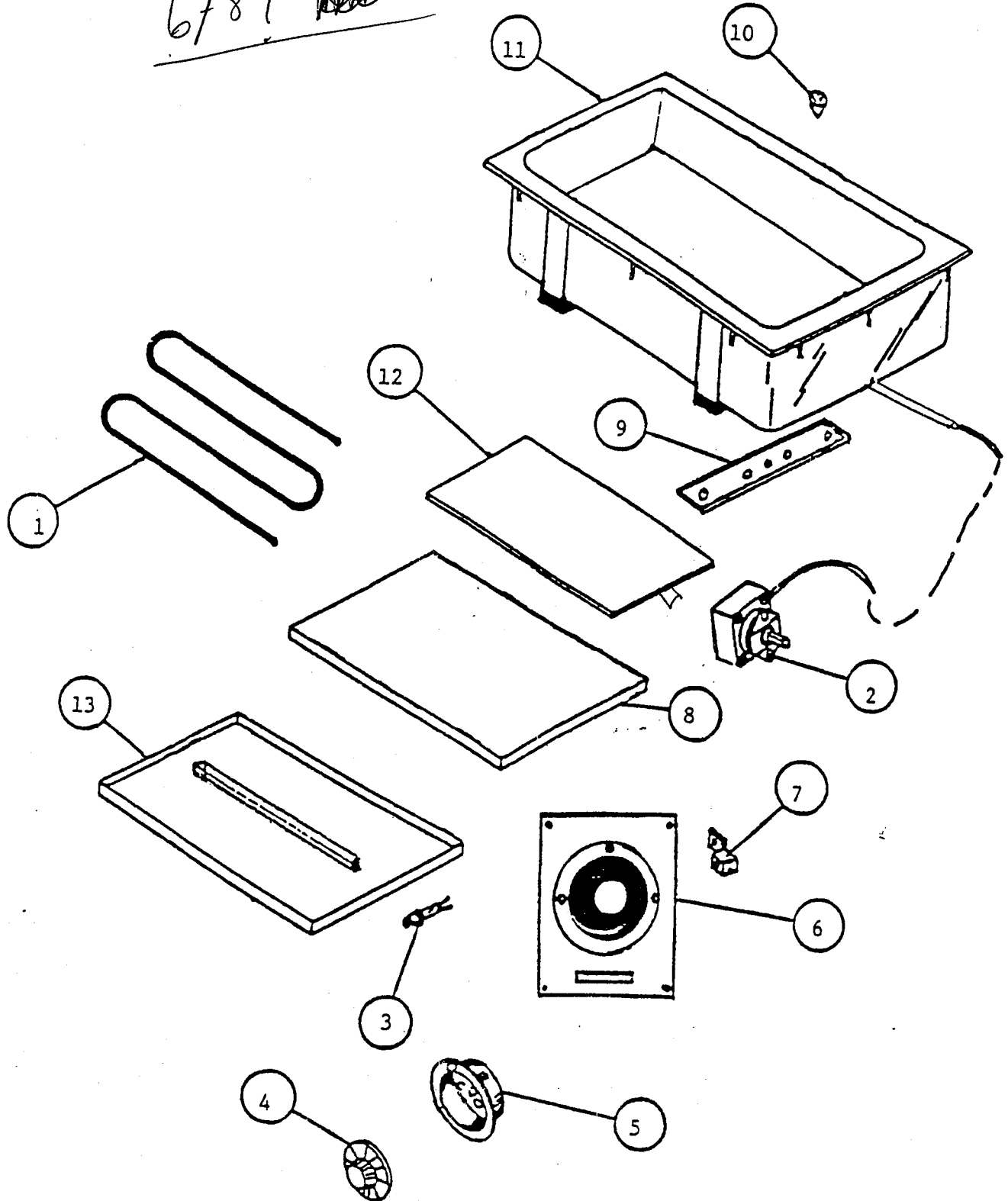


# Toastmaster Hot Food Warmers

~~1988-01-89 + ~~XXXXXXXXXX~~~~  
6/89 ~~XXXXXXXXXX~~



1503THT and 1503TDHT

TOASTMASTER DROP-IN FOOD WARMER

Models 1503T - 1503TH - 1503TDH w/drain - 1503TDP w/drain

ITEM #	PART #	DESCRIPTION	QUANTITY
		-ELECTRICAL-	
1	3001781	Heating Element-1600W-120V	1
1	3001791	Heating Element-1600W-208V	1
1	3001792	Heating Element-1600W-240V	1
1	1503T8705	Heating Element-1000W-120V	1
1	1503T8707	Heating Element-1000W-208V	1
1	1503T8709	Heating Element-1000W-240V	1
2	15028721	Infinite Switch-120V	1
2	15028727	Infinite Switch-208/240V	1
3	A710E8761	Dial Knob-Infinite Switch	1
4	15028719	Thermostat-High Limit	2
5	1503T8701	Signal Light-Clear-120V	1
5	1102A8703	Signal Light-Clear-208/240V	1
6	1102A8707	Lens-Amber (Signal)	1
		-MECHANICAL-	
7	<del>7606476</del> NLA	Food Well Assembly w/o Drain	1
7	<del>7606477</del> 7609978	Food Well Assembly w/Drain	1
8	7606482 NLA	Plate-Heat Distribution <i>no holes</i>	1
9	7606483 NLA	Clamp Plate-Heating Element <i>no holes</i>	1
10	7002665	Baffle-Heating Element	1
11	15028803	Bolt-High Limit Mounting	2
12	E336A8807	Washer-High Limit Mounting	2
13	F706A8807	Nut-Heating Element Clamp	9
14	F716A8805	Lockwasher-Heating Element Clamp	9
15	1429A8813	Screw-Infinite Switch Mounting	2
16	1503T3045	Gasket-Sides	2
17	1503T3043	Gasket-Front and Back	2
18	3102207	1/6 Pan (1503TDP only)	1
19	3102208	Lid-1/6 Pan (1503TDP only)	6
20	3102209	Adapter Bar (1503TDP only)	6
21	15028707	Ground Lug	1
22	1122B0001	Terminal Block Assembly	1
23	1502D0019	Plug Assembly (perforated)	1
24	1502D0017	Plug Assembly (solid)	1
	8000517	Wiring Diagram (all voltages)	1

7605559

revised  
3/882200116  
Plug for  
drain

TOASTMASTER

HOT FOOD WARMERS

MODELS 1503THT AND 1503TDHT WITH DRAIN

Item #	Part #	Description	Quantity 1503THT	Quantity 1503TDHT
Electrical				
1	3001781	Heating Element-1600w,120v	1	
1	3001791	Heating Element-1600w,208v	1	1
1	3001792	Heating Element-1600w,240v	1	1
2	2662A8701	Control Thermostat	1	1
3	7609853	Signal Light, 120v	1	1
3	7609172	Signal Light, 208/240v	1	1
Mechanical				
4	2100087	Control Knob	1	1
5	1523B0001	Control Mounting Cup	1	1
6	7608632	Front Panel	1	1
7	15028707	Solderless Ground Lug	1	1
8	8500265	Cover Insulation - 3 1/2 x 7 TERM	1	1
9	7609533	Clamp Brackets	2	2
10	1502D0019	Perforated Plug Assembly	1	1
11	7607130	Food Well Assembly	1	1
11	7609978	Food Well Assembly w/Drain w/STRAPS	1	1
12	7005889	Heat Distribution Plate	1	1
13	7608964	Element Cover Clamp Plate	1	1
N.S.	8001247	Wire Set All Voltages	1	1
N.S.	8001072	Wiring Diagram	1	1
N.S.	7002324	Element Sleeving	1	1
N.S.	7005888	Cover Spacers	4	4
N.S.	E301A8717	Wire Nut	1	1

220110 - PIPE CAP - 3/4"

N.S. - Not Shown

850-0256 el - INSULATION

## TOASTMASTER DROP-IN FOOD WARMER

Models 1503T - 1503TH - 1503TDH w/drain - 1503TDP w/drain

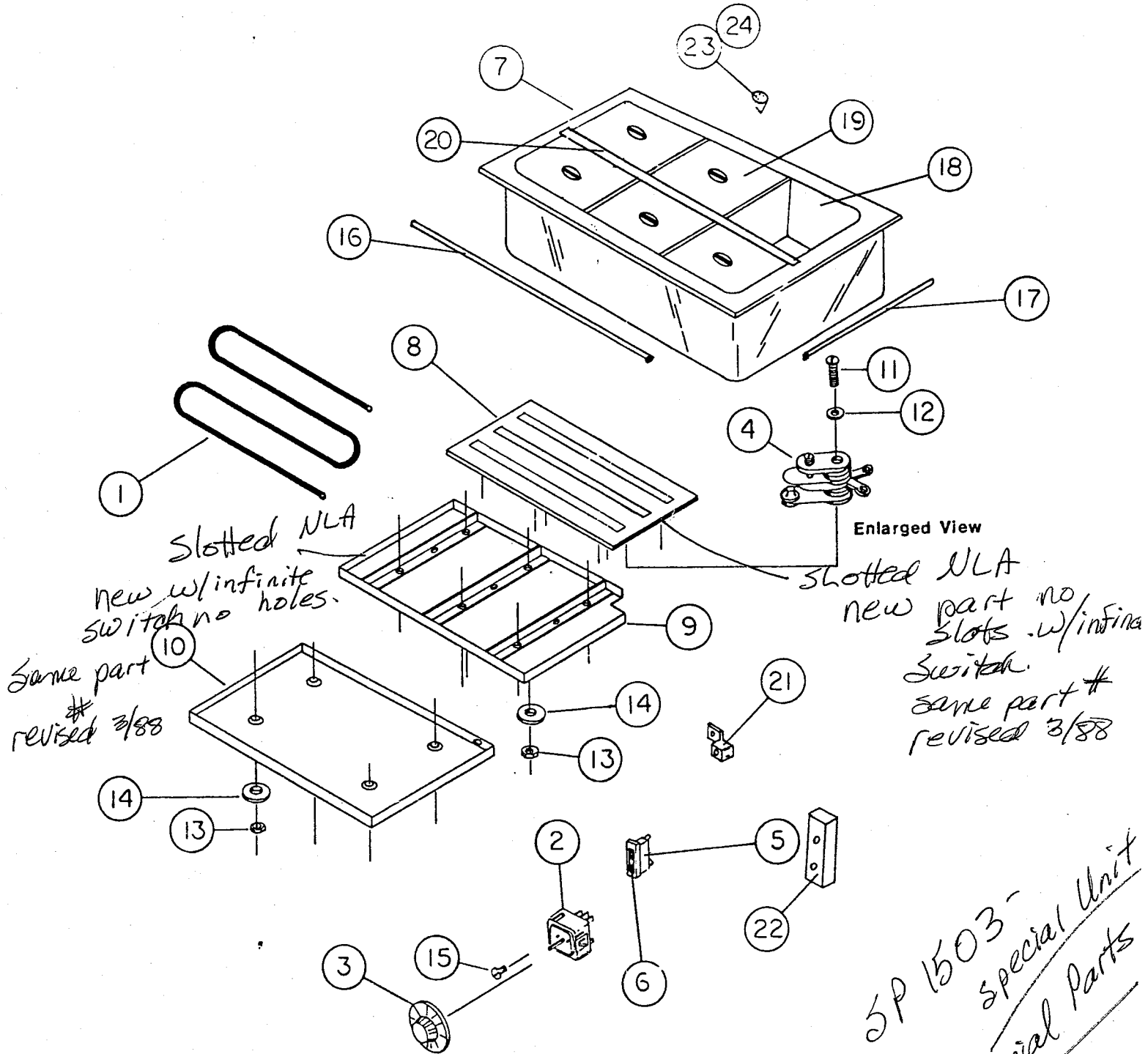
ITEM #	PART #	DESCRIPTION	QUANTITY
		-ELECTRICAL-	
1	3001781	Heating Element-1600W-120V	1
1	3001791	Heating Element-1600W-208V	1
1	3001792	Heating Element-1600W-240V	1
1	1503T8705	Heating Element-1000W-120V	1
1	1503T8707	Heating Element-1000W-208V	1
1	1503T8709	Heating Element-1000W-240V	1
2	15028721	Infinite Switch-120V	1
2	15028727	Infinite Switch-208/240V	1
3	A710E8761	Dial Knob-Infinite Switch	1
4	15028719	Thermostat-High Limit	2
5	1503T8701	Signal Light-Clear-120V	1
5	1102A8703	Signal Light-Clear-208/240V	1
6	1102A8707	Lens-Amber (Signal)	1
		-MECHANICAL-	
7	<del>7606476</del> 7606476 MLK	Food Well Assembly w/o Drain	1
7	<del>7606477</del> 7606477 7609978	Food Well Assembly w/Drain	1
8	7606482	Plate-Heat Distribution - no holes	1
9	7606483	Clamp Plate-Heating Element - no holes	1
10	7002665	Baffle-Heating Element	1
11	15028803	Bolt-High Limit Mounting	2
12	E336A8807	Washer-High Limit Mounting	2
13	F706A8807	Nut-Heating Element Clamp	9
14	F716A8805	Lockwasher-Heating Element Clamp	9
15	1429A8813	Screw-Infinite Switch Mounting	2
16	1503T3045	Gasket-Sides	2
17	1503T3043	Gasket-Front and Back	2
18	3102207	1/6 Pan (1503TDP only)	1
19	3102208	Lid-1/6 Pan (1503TDP only)	6
20	3102209	Adapter Bar (1503TDP only)	6
21	15028707	Ground Lug	1
22	1122B0001	Terminal Block Assembly	1
23	1502D0019	Plug Assembly (perforated)	1
24	1502D0017	Plug Assembly (solid)	1
	8000517	Wiring Diagram (all voltages)	1

7605554  
 revised  
 888

older - before 88 or 89

SPL 061584

# Hot Food Warmers



1503TH

*SP 1503 -  
Special Unit  
Special Parts*

TOASTMASTER

HOT FOOD WARMERS

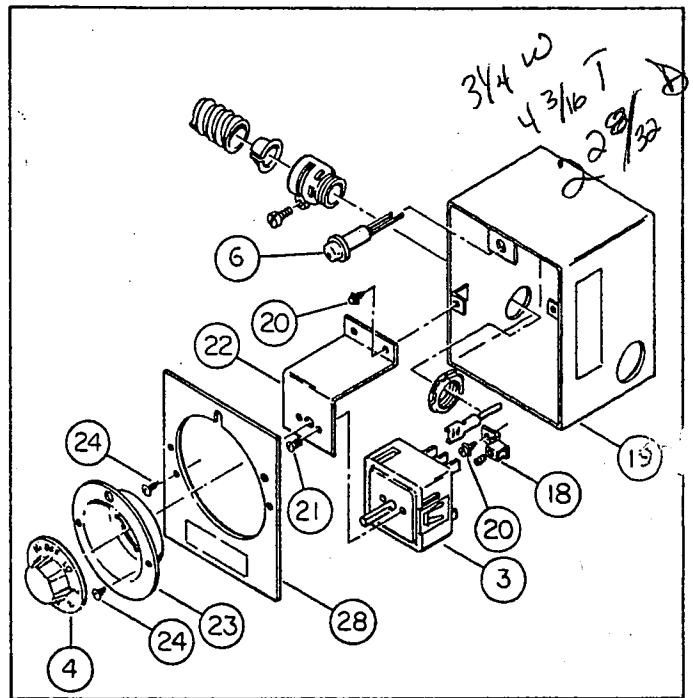
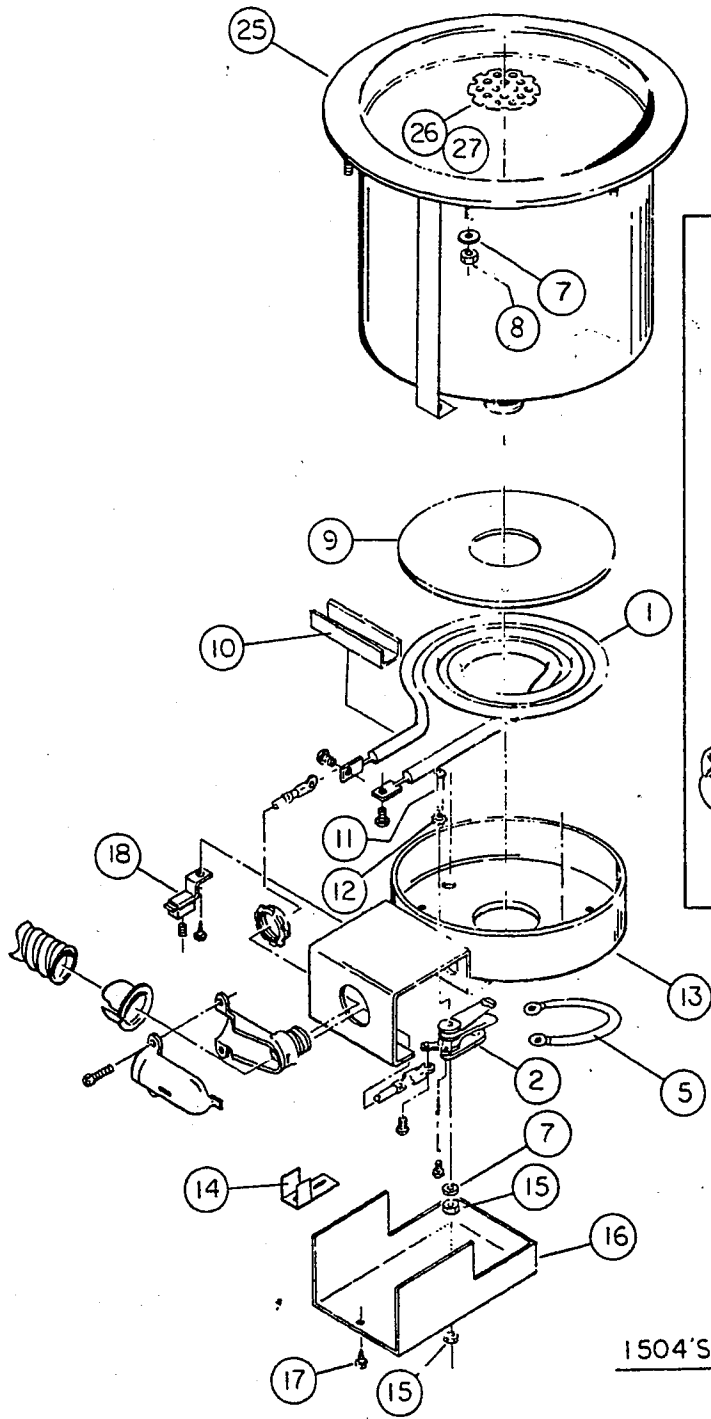
MODELS 1503THT AND 1503TDHT WITH DRAIN

Item #	Part #	Description	Quantity 1503THT	Quantity 1503TDHT
		Electrical		
1	3001781	Heating Element-1600w, 120v	1	1
1	3001791	Heating Element-1600w, 208v	1	1
1	3001792	Heating Element-1600w, 240v	1	1
2	2662A8701	Control Thermostat	1	1
3	7609853	Signal Light, 120v	1	1
3	7609172	Signal Light, 208/240v	1	1
		Mechanical		
4	2100087	Control Knob	1	1
5	1523B0001	Control Mounting Cup	1	1
6	7608632	Front Panel	1	1
7	15028707	Solderless Ground Lug	1	1
8	8500265	Cover Insulation - 3 1/2 x 7 TERM	1	1
9	7609533	Clamp Brackets	2	2
10	1502D0019	Perforated Plug Assembly	1	1
11	7607130	Food Well Assembly	1	1
11	7609978	Food Well Assembly w/Drain w/STRAPS	1	1
12	7005889	Heat Distribution Plate	1	1
13	7608964	Element Cover Clamp Plate	1	1
N.S.	8001247	Wire Set All Voltages	1	1
N.S.	8001072	Wiring Diagram	1	1
N.S.	7002324	Element Sleeving	1	1
N.S.	7005888	Cover Spacers	4	4
N.S.	B301A8717	Wire Nut	1	1

220110 - PIPE CAP - 3/4"

N.S. - Not Shown

850-0256 eb - INSULATION



1504'S; 1506'S

TOASTMASTER DROP-IN ROUND FOOD WARMERS

Model #'s 1504, 1504D (drain), 1506, 1506D (drain)

ITEM #	PART #	DESCRIPTION	QUANTITY			
			1504	1504D	1506	1506D
		-ELECTRICAL-				
1	✓ 15048705	Heating Element-500W-120V	1	1	1	1
1	✓ 15048707	Heating Element-500W-208V	1	1	1	1
1	<del>15048709</del>	Heating Element-500W-240V	1	1	1	1
2	<del>15028719</del>	Thermostat-High Limit	1	1	1	1
3	✓ 15028721	Infinite Switch Assembly-120V	1	1	1	1
3	✓ 15020023	Infinite Switch Assembly-208/240V	1	1	1	1
4	A710E8761	Control Knob	1	1	1	1
5	15027009	Jumper-6"	1	1	1	1
6	15020007	Signal Light Assembly-120V	1	1	1	1
6	15020013	Signal Light Assembly- 208/240V	1	1	1	1
		-MECHANICAL-				
7	1501D8803	Washer, #10 Flat	7	7	7	7
8	F707A8803	Hex Nut, 10-32	6	6	6	6
9	15047001	Heat Distribution Plate	1	1	1	1
10	7002426	Element Clamp	1	1	1	1
11	15048801	Machine Screw, 8-32 x 1-1/4", Round Head	1	1	1	1
12	4111A8807	Lockwasher #8 External	1	-	1	-
13	15040005	Element Shield Assembly	-	1	-	1
13	1504D0005	Element Shield Assembly with Drain	-	-	-	-
14	7002430	Food Well Clamp (1504 & 1504D only)	2	2	-	-
14	7002431	Food Well Clamp (1506 & 1506D only)	-	-	2	2
15	B301A8857	Hex Nut, 8-32	2	2	2	2
16	15047009	Terminal Box	1	1	1	1
17	B301A8863	Sheet Metal Screw, #8 x 3/8", Hex Washer Head	1	1	1	1
18	15028707	Solderless Lug	1	1	1	1
19	<del>15020019</del>	Control Box Assembly	1	1	1	1
20	B301A8861	S. M. Screw, #6 x 3/8", Hex Washer Head	3	3	3	3
21	1429A8813	Machine Screw, #8-32 x 3/16", Round Head	2	2	2	2
22	15027021	Switch Mounting Bracket	1	1	1	1
23	15023009	Control Mounting Cup	1	1	1	1
24	B301A8801	S. M. Screw, #6 x 3/8", Truss Head	4	4	4	4
25	15040001	7 Qt. Well and Hanger Assembly	1	-	-	-
25	1504D0001	7 Qt. Well and Hanger Assembly w/Drain	-	1	-	-
25	<del>15060001</del>	11 Qt. Well and Hanger Assembly	-	-	1	-
25	1506D0001	11 Qt. Well and Hanger Assembly w/Drain	-	-	-	1
26	1502D0019	Perforated Plug Assembly-Drain	-	1	-	1
27	1502D0017	Plug Assembly-Drain	-	1	-	1
28	15023011	Control Box Cover	1	1	1	1
	15048905	Wiring Diagram, 120V	1	1	1	1
	15048907	Wiring Diagram, 208/240V	1	1	1	1

\*PRIOR TO 1984 WELL MAY HAVE STUDS.  
MUST ORDER #9&#13

1506 D000013 - Well assembly 208V