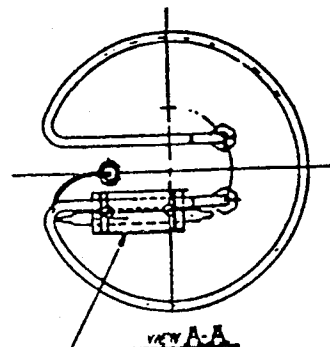
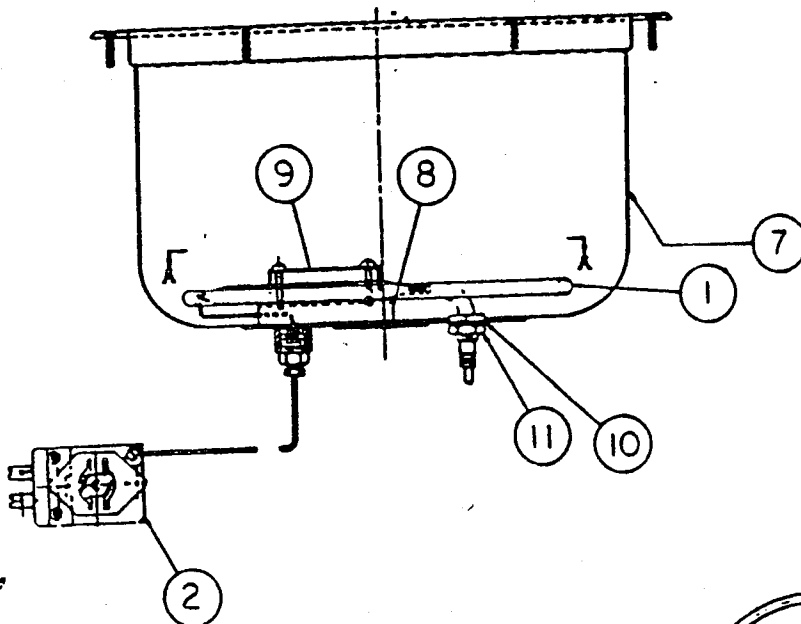
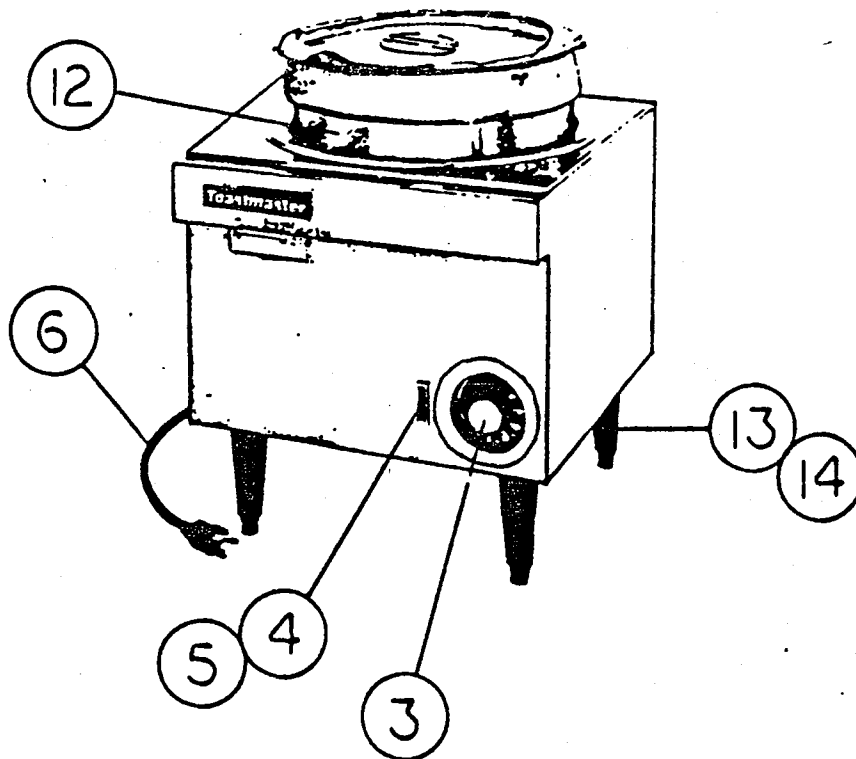


HEAT & HOLD FOOD WARMER
Toastmaster Model #'s 1527H (counter type) Shown
1527TH (drop-in type) with Drain



Heat & Hold
1527H, 1527TH

(CENTER CLAMP
TO HEATING ELEMENT
WITH 1527H, 1527TH)

HEAT & HOLD FOOD WARMER

Toastmaster Model #'s 1527H (Counter Type)
1527TH (Drop-In Type with Drain)

D# 1527+1000009

ITEM #	PART #	DESCRIPTION	1527H	1527TH
		-ELECTRICAL-		
1	3002445	Heating Unit, 120V, 1650W	1	1
2	3004245	Thermostat	1	-
2	3004246	Thermostat, 72 in. Cap Tube	-	1
3	2100067	Knob, Thermostat	1	1
4	1433B8709	Signal Light, Heating, 125V	1	-
4	1503T8701	Signal Light, Clear, 125V	-	1
5	1102A8707	Lens, Heating, Amber	-	1
6	1511E0029	Cord & Plug Assembly, 115V	1	-
		-MECHANICAL-		
7	7606462	11 Quart Well	1	-
7	7606463	11 Quart Well with Drain	-	1
8	7002639	Base Clamp	1	1
9	7002638	Bulb Clamp	1	1
10	4111A8833	Washer	2	2
11	2001478	Hex Jam Nut	2	2
12	7002636	Ring Adapter, 11 Quart <i>3103813</i>	1	1
13	1523B0003	Legs, Set of Four	1	-
14	1523B8301	Leg, Individual	4	-
	8000513	Wiring Diagram	1	-
	8000514	Wiring Diagram	-	1

SPL 062084

TOASTMASTER T-LINE
MODEL 1528 "TWIN WELL" FOOD WARMER

ITEM #	PART #	DESCRIPTION	QUANTITY
		-ELECTRICAL-	
1	15048705	Heating Element-500W-120V	2
1	15048707	Heating Element-500W-208V	2
1	15048709	Heating Element-500W-240V	2
2	15028719	Thermostat-High Limit	2
3	15028721	Infinite Switch-120V	2
3	15028727	Infinite Switch-208/240V	2
4	A710E8761	Control Knob-Infinite Switch	2
5	15027009	Jumper, 6"	2
6	1433B8709	Signal Light, Amber-120V	2
6	1433B8701	Signal Light, Amber-208/240V	2
		-MECHANICAL-	
7	1501D8803	Washer-13/64" I.D. x 1/2" O.D.	24
8	F707A8803	Hex Nut, #10-32	29
9	15047001	Heat Distribution Plate	2
10	7002426	Element Clamp	2
11	15048801	Machine Screw, #8-32 x 1-1/4", Round Head	2
12	4111A8807	Lockwasher, #8 External	2
13	15040005	Element Shield Assembly	2
14	7002430	Food Well Clamp	4
15	B301A8857	Hex Nut, #8-32	4
16	15047009	Terminal Box	2
17	B301A8863	Sheet Metal Screw, #8 x 3/8"	8
18	1523B8301	4" Adjustable Leg-Black-Plastic	4
19	1528B0005	Case Assembly	1
20	1528B3007	Case Bottom	1
21	1429A8813	Machine Screw, #8-32 x 3/16", Round Head	4
22	1528B0007	Top Case Assembly	1
23	1523B0001	Control Mounting Cup	2
24	1112B3027	Spacer	10
25	15040001	7-Quart Food Well 1528B0001	2
26	F716A8705	Wire Clip	2
27	F716A8703	Bushing	2
28	1511E0029	Cord & Plug-125V	1
28	1511E0031	Cord & Plug-250V	1
	1528B8901	Wiring Diagram-120V	
	1528B8903	Wiring Diagram-208/240V	

PURPOSE OF EACH ELECTRICAL COMPONENT

ON/OFF SWITCH: Turns on power to device. Signal light glows to show power is on.

OPERATING THERMOSTAT: (Thermo Disc Type) Cycles heating unit on and off to maintain an average food temperature of 170° F (well filled with 3 quarts of hot water, and 3 insert pans filled with hot food).

HEATING UNIT: Offers heat to bottom of well.

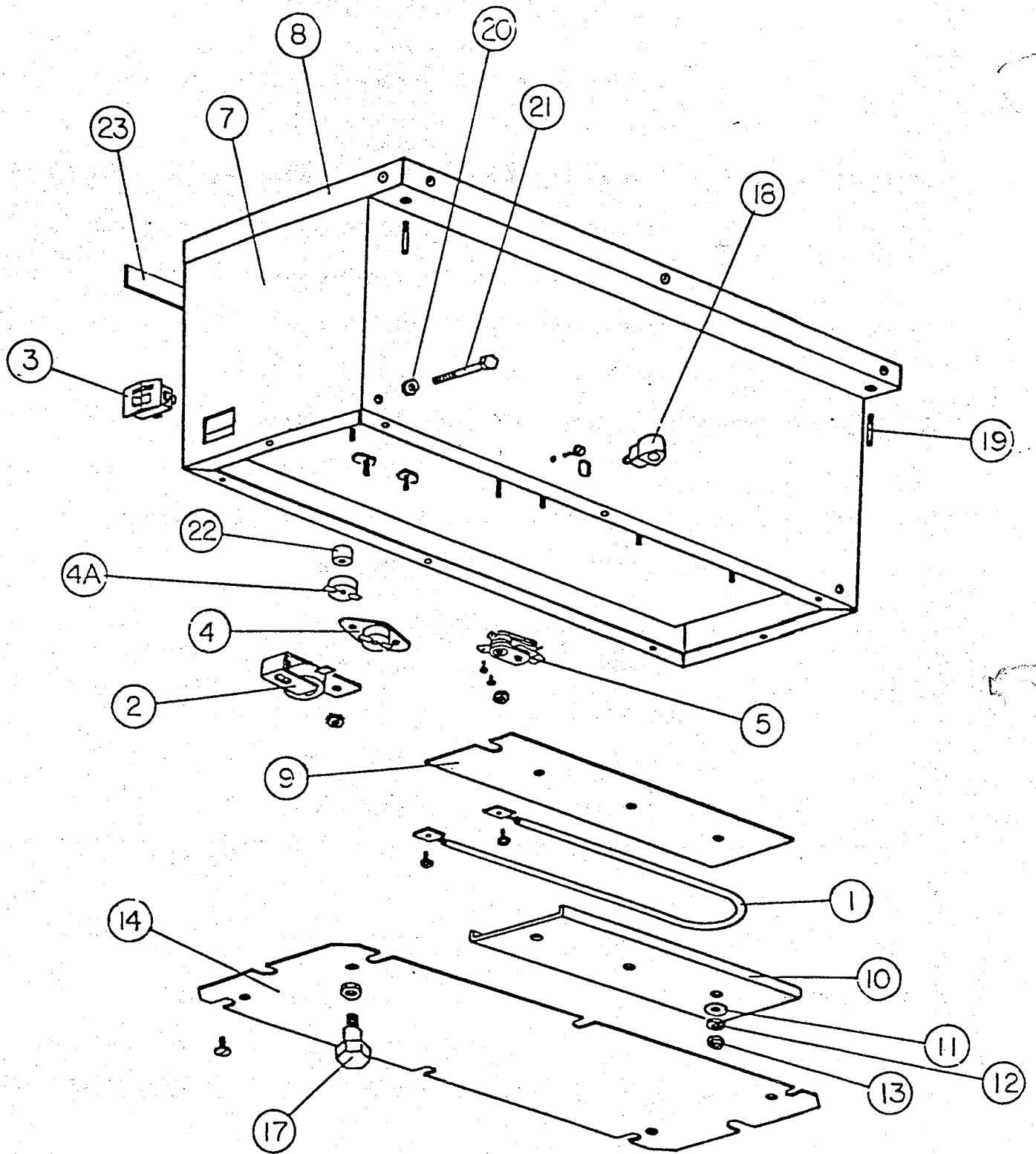
HI-TEMPERATURE THERMOSTAT: (Bi-Metal Type) Turns buzzer on when water boils away by seeing a high local temperature.

AUDIBLE BUZZER: Signals operator to fill well with water immediately.

TROUBLE SHOOTING INFORMATION

<u>DURING NORMAL OPERATION (WATER IN WELL)</u>	
<u>Symptom</u>	<u>Possible Cause</u>
1. No Signal Light No Heat No Buzzer	No incoming power Switch defective Wire off
2. No Signal Light Heats	Switch light defective
3. Signal Light Glows No Heat	Wire off Heating unit defective Operating thermostat defective
4. Signal Light Glows Buzzer Sounds	Hi-temperature thermostat defective
<u>ABNORMAL OPERATION (NO WATER IN WELL - EVAPORATED DRY)</u>	
<u>Symptom</u>	<u>Possible Cause</u>
1. Signal Light Glows No Buzzer	Buzzer defective Hi-temperature thermostat defective

--- -- WARRANTY - PARTS, LABOR AND TRAVEL CHARGES FOR ONE YEAR --- --



1529 FOOD WARMER

MODEL 1529

SPL11483

WENDY'S FOOD WARMER

ITEM NO	DESCRIPTION	PART NO.	QUANTITY
- Electrical -			
* 1	Heating Unit 400W	3B72D8701	1
* 2	Audible Buzzer	300-2649	1
3	Power On Switch With Light	300-3765 47270	1
4	Operating Thermostat With Lead Wires - Flange Mount	760-6248 7610198	1
* 4A*	Operating Thermostat With Lead Wires - Stud Mount	760-6155	1*
* 5	Hi-Temperature Thermostat	700-2332	1
6	Power Cord	760-6122	1
- Mechanical -			
CASE		34333	
7	Body	760-6114	1
8	Receptacle - Well	760-6118	1
9	Heat Diffuser	700-2311	1
10	Clamp-Heating Unit	700-2399	1
11	Washer	F706A8805	3
12	Lockwasher	F707A8805	3
13	Nut-Hex 1/2 X 20	F706A8807	3
14	Cover - Bottom	760-6131	1
15	Insulation - Front	850-0147	1
16	Insulation - Bottom	850-0151	1
17	Legs - Leveling	A710E0105 3101913	4
18	Strain Relief - Cord	300-3559 3003563	1
19	Stud - Mounting		
20	Nut - Hex 1/2 X 20		
21	Bolt - Adjusting		
22*	Spacer - Operating Thermostat		
23	Heat Shield		

7606155

47270

7610198

7002313

3101913

3003563

Tstat

Kit PIN 7610198

PIN 3004277

190° open

180° closed

~~ASSY, CORD SET (5-15P) 125V~~

* Used on Serial No. 12-1800-83 and below.

PARTS NOT SHOWN ON EXPLODED VIEW

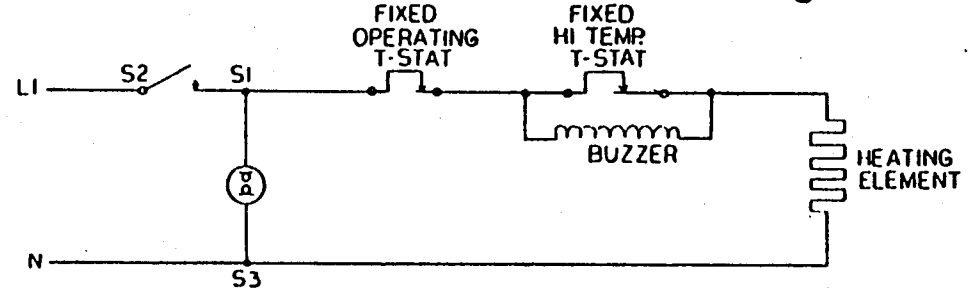
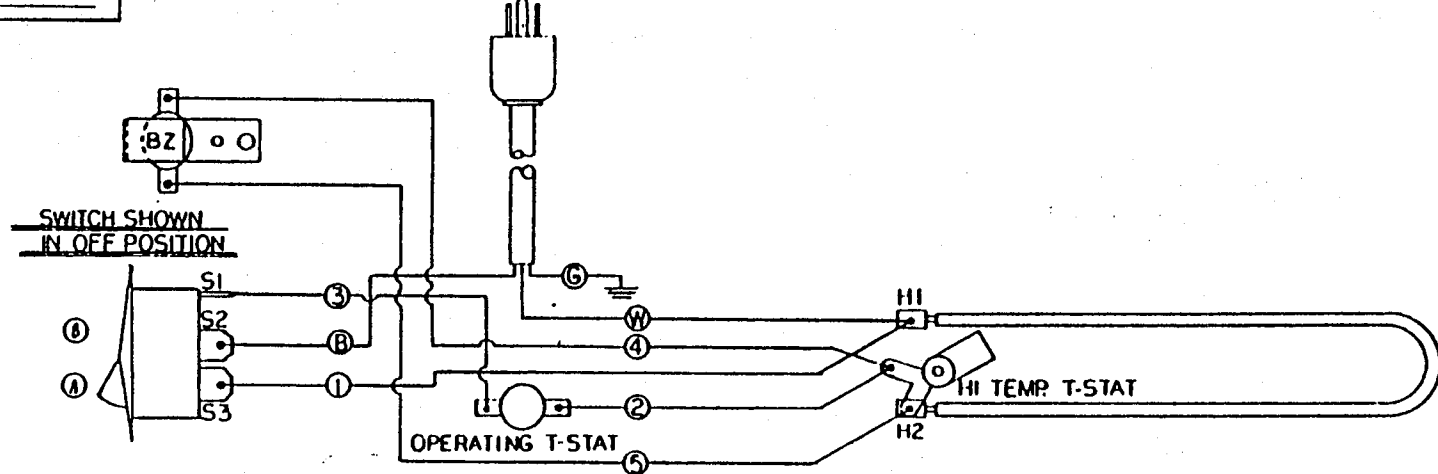
- 6 - Power Cord 7606122
- 15 - Insulation - Front
- 16 - Insulation - Bottom

WIRE CODE	
152900000009	153000000009
18FC - W	←
18FC - B	←
18FC - B	←
18FC - B	←
18FC - B	←

MODELS	VOLTS	TOTAL K.W.
152900000009, 153000000009	110	0.4

WIRE SIZE — 18FC-B — INSUL. COLOR
 B=BLACK
 R=RED
 W=WHITE

FC-FLEX COPPER
 SC-SOLID COPPER



SCHEMATIC

D 8-10-53	ADD SCHEMATIC & SWITCH SHOWN IN OFF POS.	1-5-53	L.P.								
C 8-28	ADD WIRE 4, 5, BUZZER, & HI-TEMP T-STAT	8-25-53	L.P.								
D 7-10-53	REVISED PICTURE	7-10-53	L.P.								
A 6-15-53	REVISED PICTURE	6-15-53	L.P.								
REV	DATE	REVISIONS	RELEASED	CR NO	BY	REASON	AMT	PART NAME			
								WIRING DIAGRAM			
MATERIALS				UNLESS OTHERWISE SPECIFIED <small>100% INSULATED BY WIRE #</small> <small>... 2 005 00</small> <small>... 2 02 00</small> <small>ANALYSIS 7 5"</small>				DRN <i>L.J. Fel'm</i> DATE <i>6-3-53</i>		D	
MATERIALS				SCALE <i>1/2"</i>		DO NOT SCALE DWG.		DWG. NO. B PART NO. 800-0372			

1529, 1530	800-0371
MODELS	WIRE SET